



US00D881032S

(12) **United States Design Patent**
Kern

(10) **Patent No.:** **US D881,032 S**
(45) **Date of Patent:** **** Apr. 14, 2020**

- (54) **BARWARE**
- (71) Applicant: **Target Brands, Inc.**, Minneapolis, MN (US)
- (72) Inventor: **Elizabeth Caroline Kern**, Minneapolis, MN (US)
- (73) Assignee: **Target Brands, Inc.**, Minneapolis, MN (US)
- (**) Term: **15 Years**
- (21) Appl. No.: **29/674,106**
- (22) Filed: **Dec. 19, 2018**

- D411,410 S 6/1999 Pedrini
- D416,439 S * 11/1999 Kwok D7/395
- D422,191 S 4/2000 Jsbeck
- D424,869 S * 5/2000 Chau D7/395
- D431,753 S 10/2000 Cohen
- D433,873 S 11/2000 Yu
- 6,234,662 B1 * 5/2001 Blake A47J 43/1093
15/141.1
- D445,316 S 7/2001 Borner
- D447,385 S 9/2001 Saunders
- D455,606 S 4/2002 Lee
- D458,802 S 4/2002 Richied
- D459,148 S 6/2002 Richied
- D459,149 S 6/2002 Richied
- D459,161 S 6/2002 Rowe
- D459,943 S 7/2002 Richied
- D460,318 S 7/2002 Richied
- D464,528 S 10/2002 Yu
- D468,156 S 1/2003 Yu
- D468,220 S * 1/2003 Harris D10/46.2
- D477,498 S 7/2003 Rowe
- D490,270 S 5/2004 Pippel et al.

Related U.S. Application Data

- (63) Continuation of application No. 29/631,074, filed on Dec. 27, 2017.
- (51) **LOC (12) Cl.** **10-04**
- (52) **U.S. Cl.**
USPC **D10/46.3**
- (58) **Field of Classification Search**
USPC D10/46.2, 46.3; D7/700, 397, 513, 524,
D7/396.2, 680-696; D8/105, 107, 300
CPC A47J 43/27; A47J 2203/00; B25F 1/04;
G01F 19/00; G01F 19/002; A61J 7/0023;
A61J 7/0046
See application file for complete search history.

Primary Examiner — Terry A Wallace
(74) *Attorney, Agent, or Firm* — Merchant & Gould P.C.

(57) **CLAIM**

The ornamental design for a barware, as shown and described.

DESCRIPTION

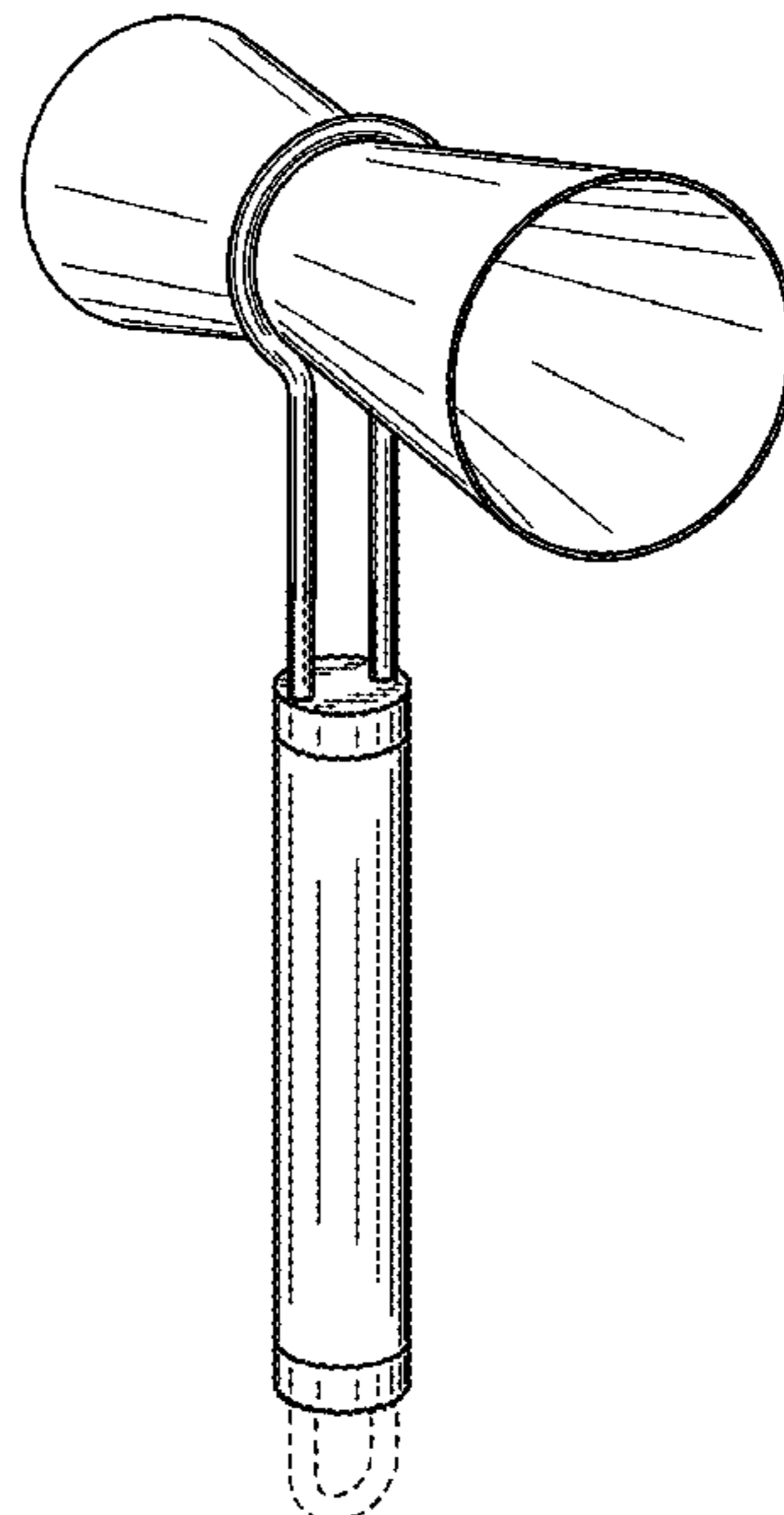
FIG. 1 is a perspective view of the barware showing my new design.
FIG. 2 is a top view of the barware of FIG. 1;
FIG. 3 is a bottom view of the barware of FIG. 1;
FIG. 4 is a front view of the barware of FIG. 1;
FIG. 5 is a rear view of the barware of FIG. 1; and,
FIG. 6 is a side view of the barware of FIG. 1.
The broken lines are for illustrative purposes only and form no part of the claimed design.

1 Claim, 2 Drawing Sheets

(56) **References Cited**

U.S. PATENT DOCUMENTS

- D22,768 S * 9/1893 Dungan D10/46.3
- D156,879 S 1/1950 Grundstrom
- D210,318 S 2/1968 Wallance
- D380,345 S 7/1997 Lu
- D403,204 S 12/1998 Kwok
- D408,219 S 4/1999 Lai
- D410,362 S 6/1999 Lai



(56)

References Cited

U.S. PATENT DOCUMENTS

D492,165	S	6/2004	Cheung	
D496,217	S *	9/2004	Sun	D7/395
D503,071	S	3/2005	Lu	
6,866,511	B1 *	3/2005	Harris	G09B 19/00 220/568
D504,797	S	5/2005	Lu	
D527,959	S	9/2006	Fung	
D561,526	S	2/2008	Bunting et al.	
D593,794	S	6/2009	Rae	
D624,264	S	9/2010	Li	
7,827,696	B2	11/2010	Settele	
D630,888	S	1/2011	Bodum	
D632,142	S	2/2011	Lu	
D650,219	S	12/2011	Lu	
D663,159	S	1/2012	Zemel	
8,631,722	B1 *	1/2014	Davis	B25F 1/04 7/155
D699,070	S	2/2014	Rae	
D727,701	S *	4/2015	Goldy	D8/34
D795,638	S	8/2017	Barberi	
2013/0160213	A1 *	6/2013	Salles	A47J 43/27 7/119

* cited by examiner

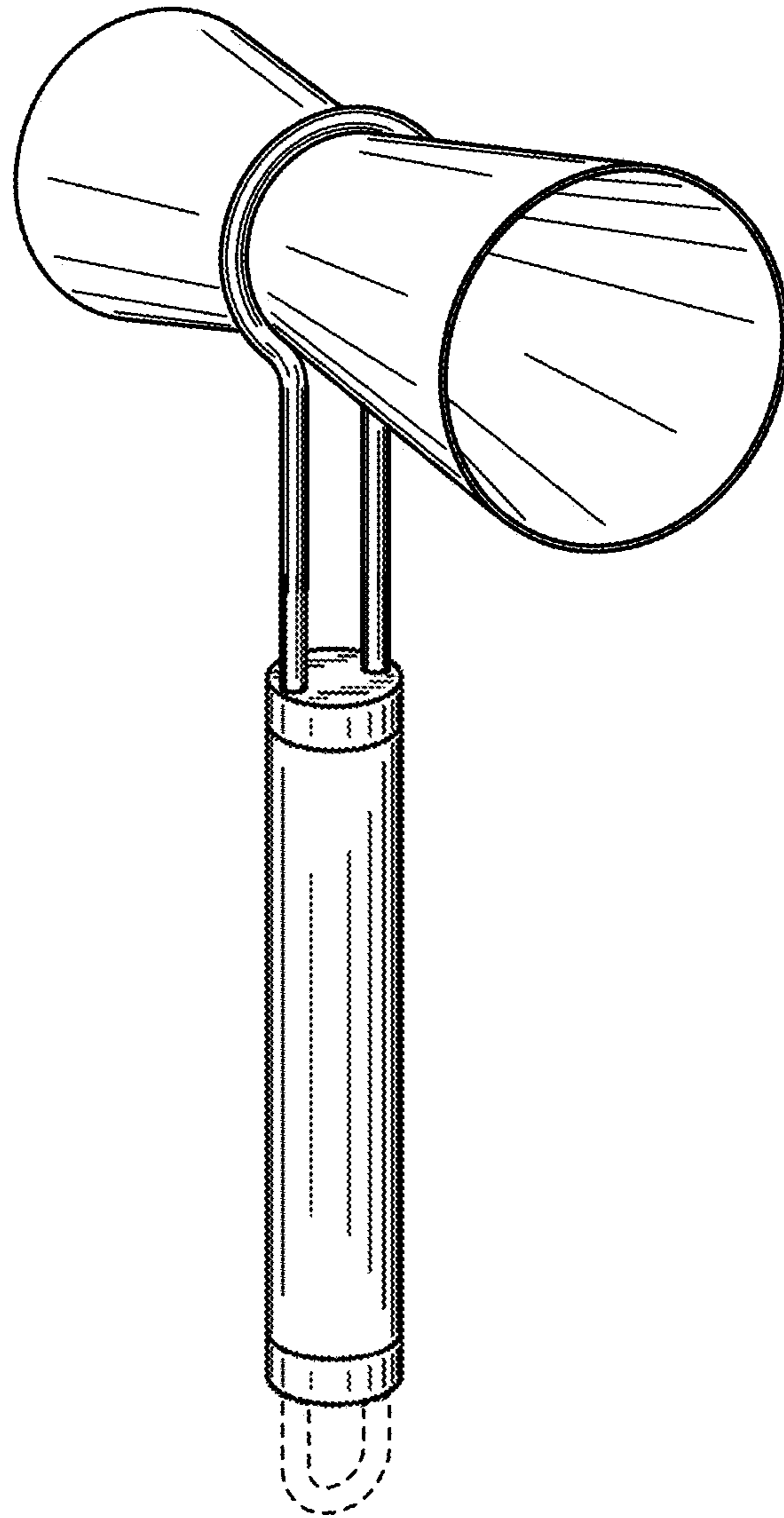


Fig. 1

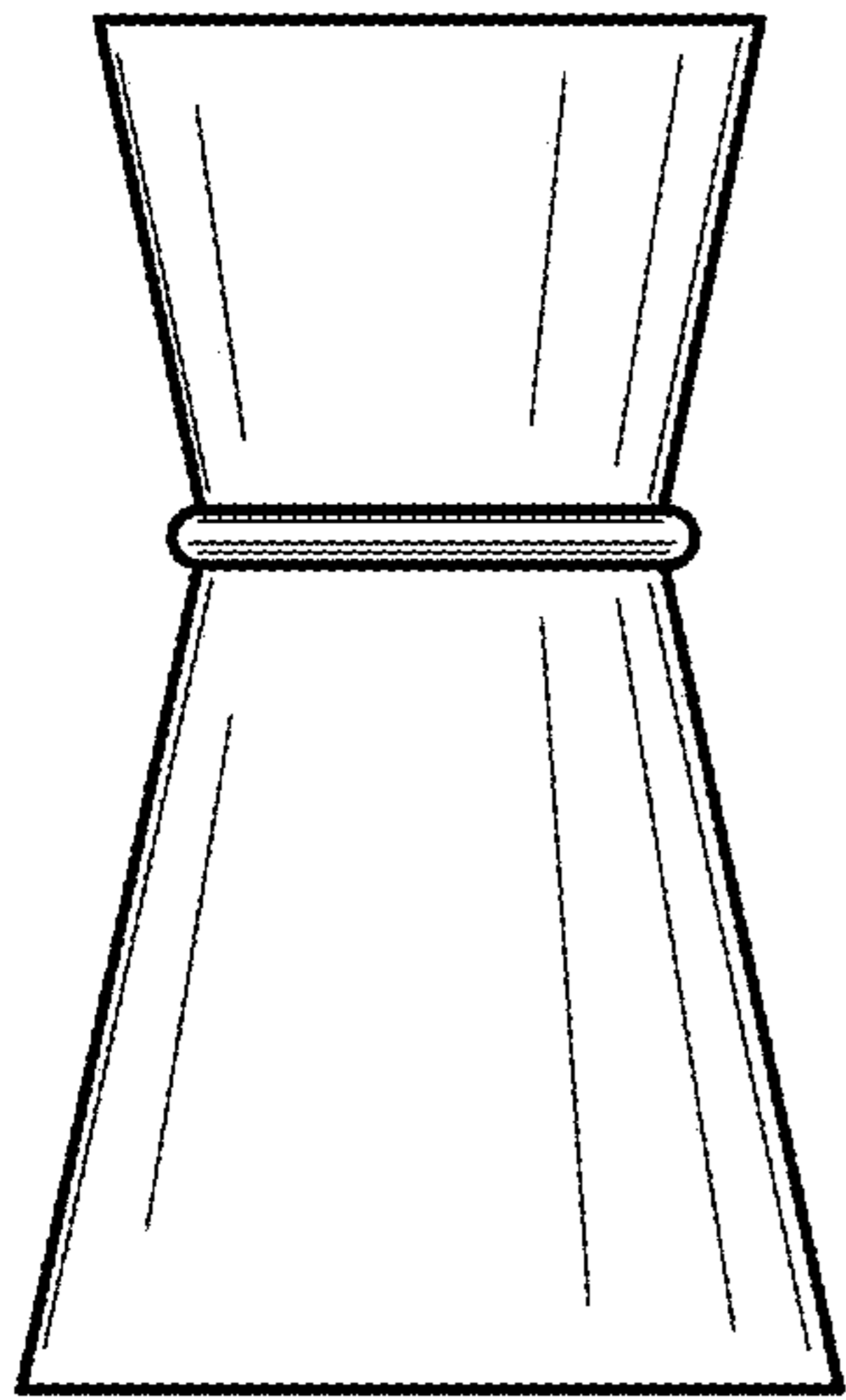


Fig. 2

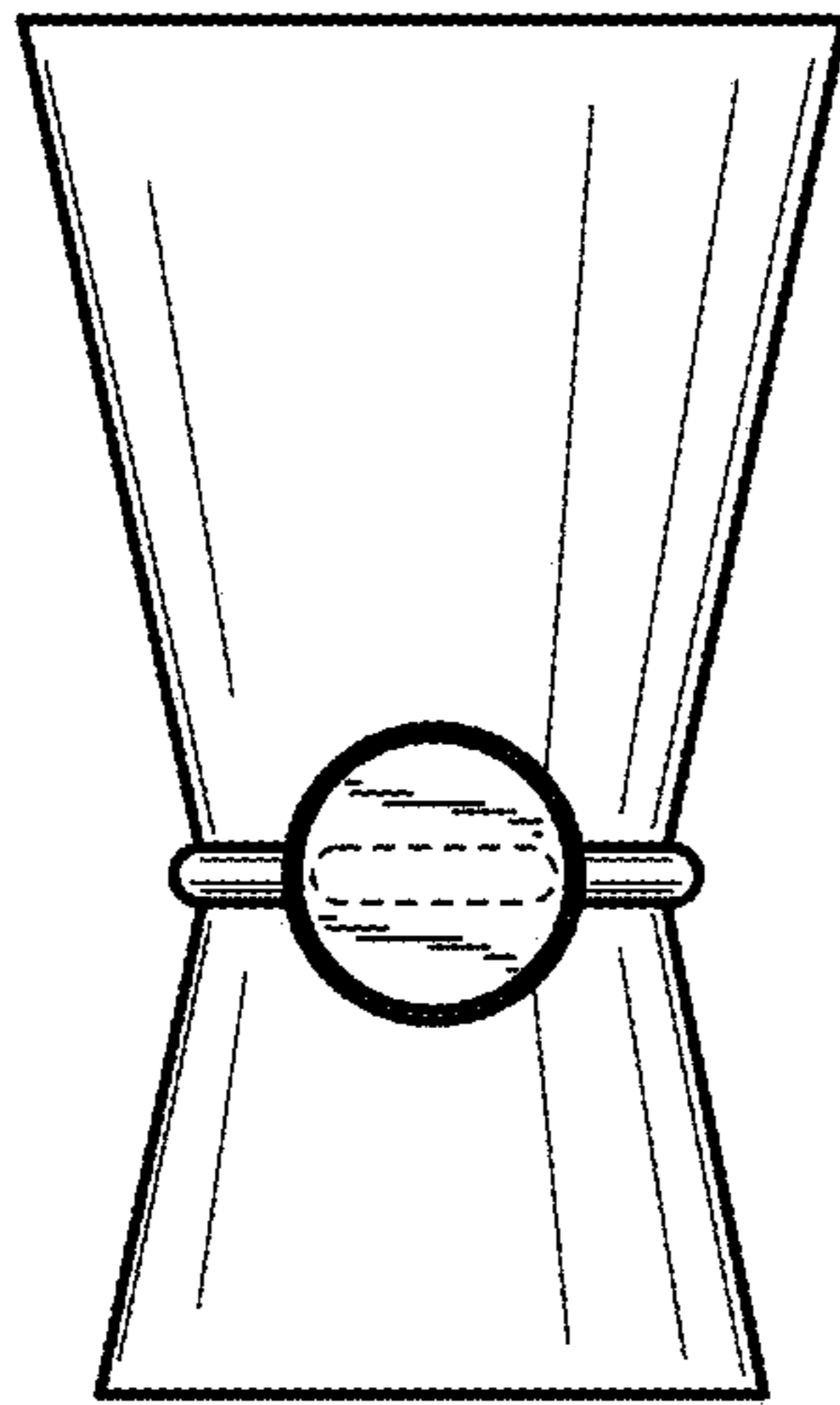


Fig. 3

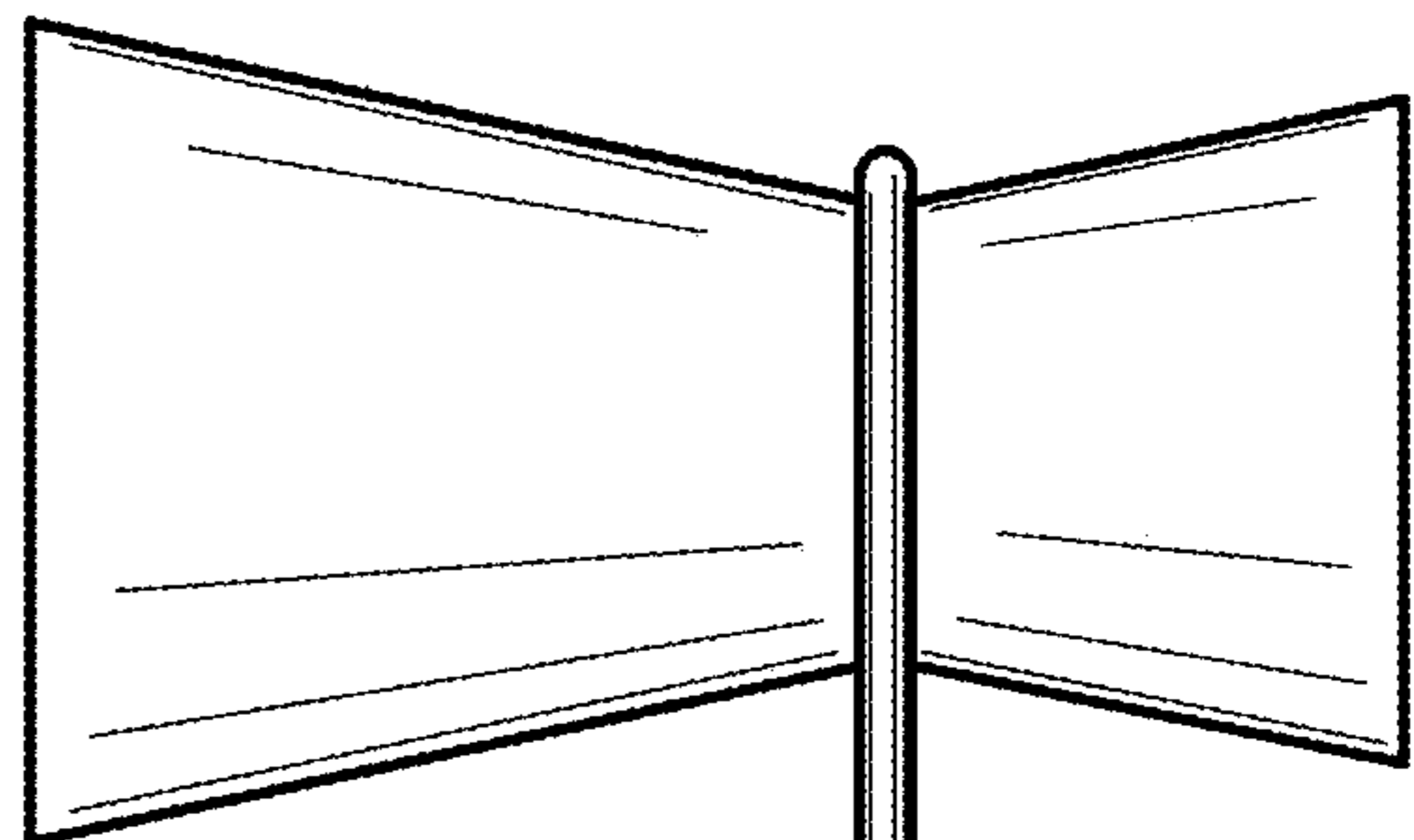


Fig. 6

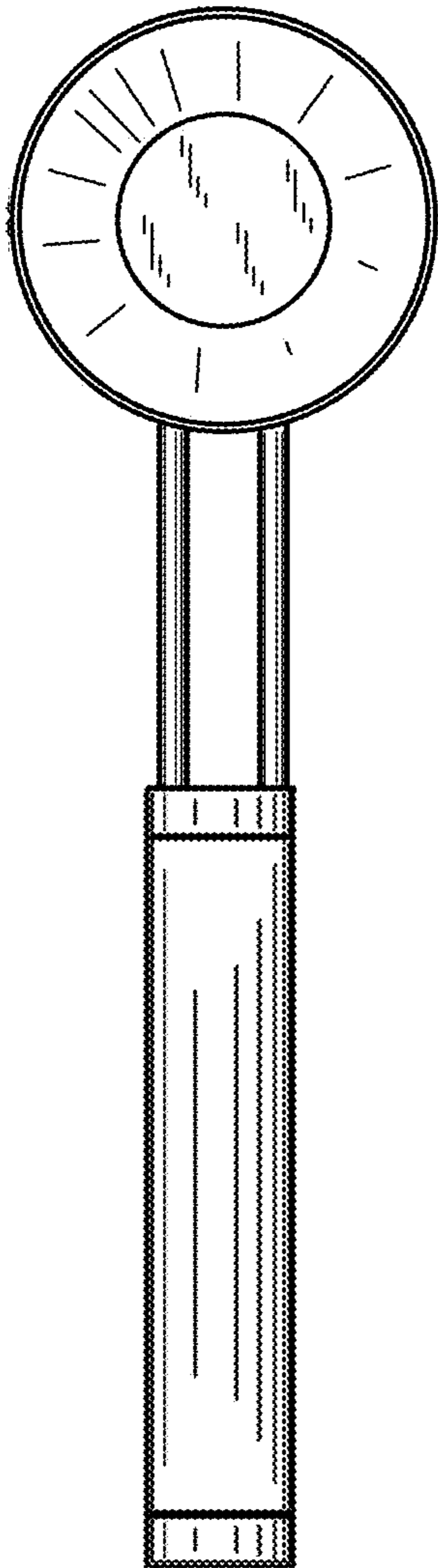


Fig. 4

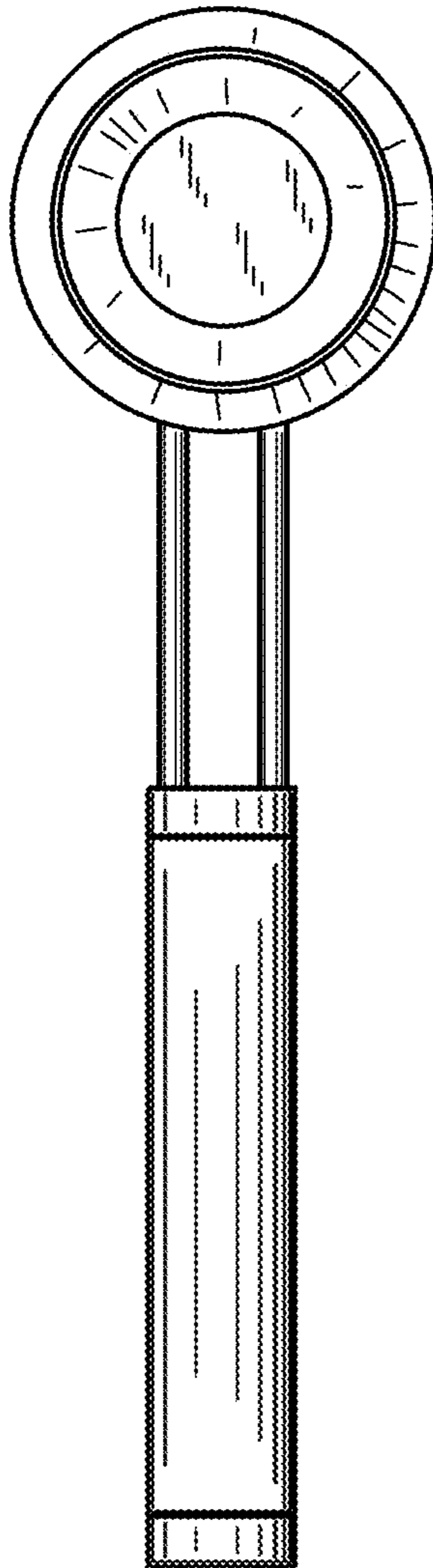


Fig. 5