



US00D881029S

(12) **United States Design Patent**
Laucella

(10) **Patent No.:** **US D881,029 S**

(45) **Date of Patent:** **** Apr. 14, 2020**

(54) **WATCH**

(71) Applicant: **Montres Breguet S.A., L'Abbaye (CH)**

(72) Inventor: **Vincent Laucella, Le Brassus (CH)**

(73) Assignee: **MONTRES BREGUET S.A.,
L'abbaye (CH)**

(**) Term: **15 Years**

(21) Appl. No.: **29/654,158**

(22) Filed: **Jun. 21, 2018**

(30) **Foreign Application Priority Data**

Dec. 21, 2017 (WO) DM/099 109

(51) **LOC (12) Cl.** **10-02**

(52) **U.S. Cl.**
USPC **D10/39**

(58) **Field of Classification Search**

USPC D10/30-39, 122-124, 126
CPC G06F 1/1613; G06F 1/1624; G06F 1/1626;
G06F 1/165; G06F 3/0485; G06F 3/0488;
G04B 19/06; G04B 19/10; G04B 19/103;
G04B 19/12; G04B 19/24; G04B
45/0069; G04B 45/0076; G04F 7/08;
G04F 7/0842; G04F 7/0871

See application file for complete search history.

(56) **References Cited**

U.S. PATENT DOCUMENTS

232,737 A * 9/1880 Lugin G04F 7/08
368/102
D22,703 S * 8/1893 Ball D10/127
D172,442 S * 6/1954 Richter D10/39
D286,510 S * 11/1986 Schoepfer D10/32
D520,384 S * 5/2006 Scheufele D10/39
D615,882 S * 5/2010 Laucella D10/39

D616,767 S * 6/2010 Laucella D10/39
D652,328 S * 1/2012 Laucella D10/39
D695,637 S * 12/2013 Jacquerye D10/39
8,837,260 B2 * 9/2014 Zaugg G04B 19/262
368/10
D801,196 S * 10/2017 Sugiura D10/39
D822,522 S * 7/2018 Laucella D10/127
D827,454 S * 9/2018 Laucella D10/39
2008/0159081 A1 * 7/2008 Laucella G04B 3/048
368/190
2019/0000195 A1 * 1/2019 Golay A44C 5/142
2019/0116945 A1 * 4/2019 Rochat A44C 5/147
2019/0121295 A1 * 4/2019 Romano A44C 5/14

* cited by examiner

Primary Examiner — Sandra S Snapp

Assistant Examiner — Katherine Glennon

(74) *Attorney, Agent, or Firm* — Abelman, Frayne & Schwab

(57) **CLAIM**

The ornamental design for a watch, as shown and described.

DESCRIPTION

FIG. 1 is a front view of a watch of the present design;
FIG. 2 is a rear view thereof;
FIG. 3 is a right side view thereof;
FIG. 4 is a left side view thereof;
FIG. 5 is a top view thereof;
FIG. 6 is a bottom view thereof; and
FIG. 7 is a top perspective view thereof; and,
FIG. 8 is a bottom perspective view thereof.

The broken line showing of the watch is for the purpose of illustrating portions of the article and forms no part of the claimed design.

The cursive letter "B" disclosed on the crown forming part of the claimed design is a registered trademark of Montres Breguet S.A., which is the Applicant and Assignee of this application.

1 Claim, 8 Drawing Sheets

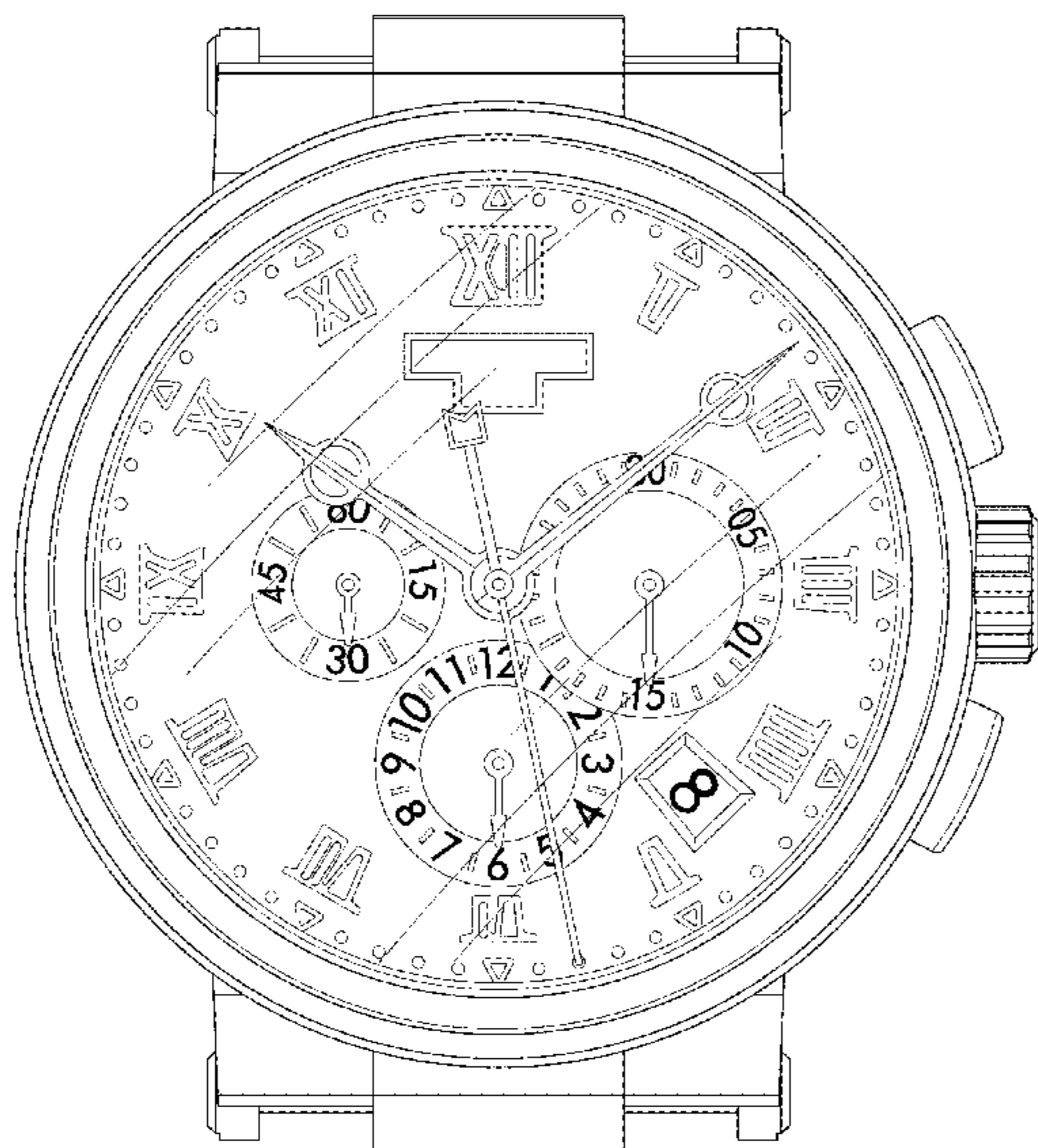




FIG. 1



FIG. 2

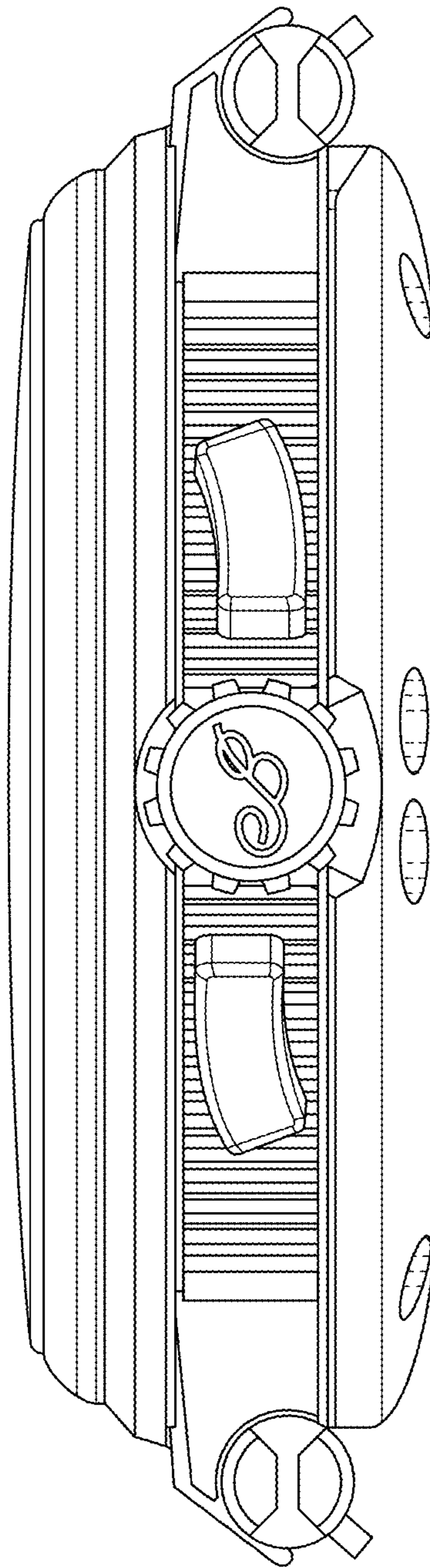


FIG. 3

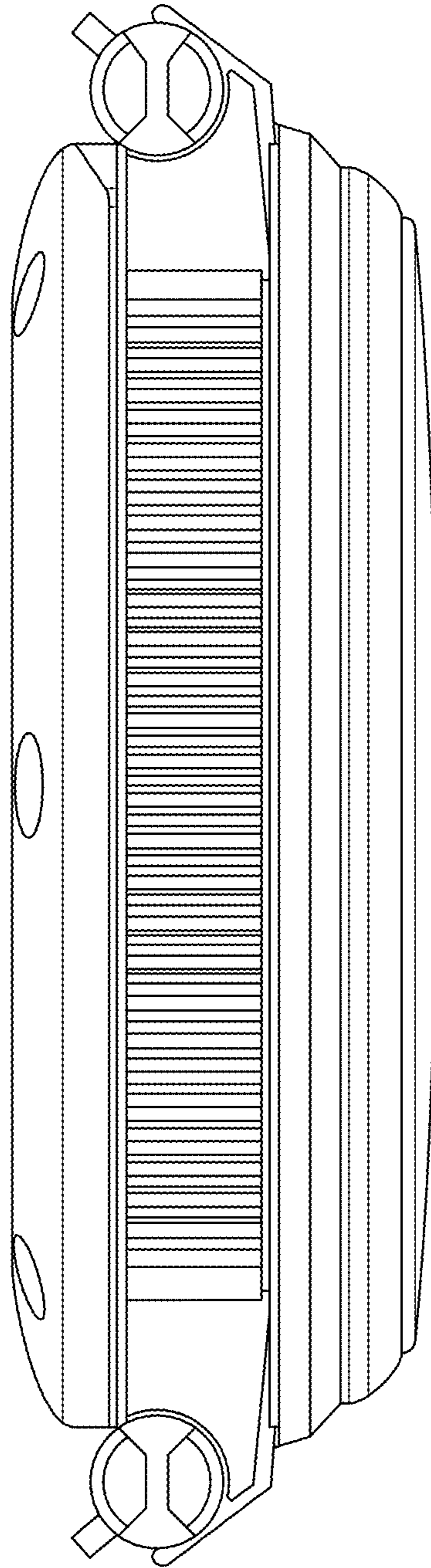


FIG. 4

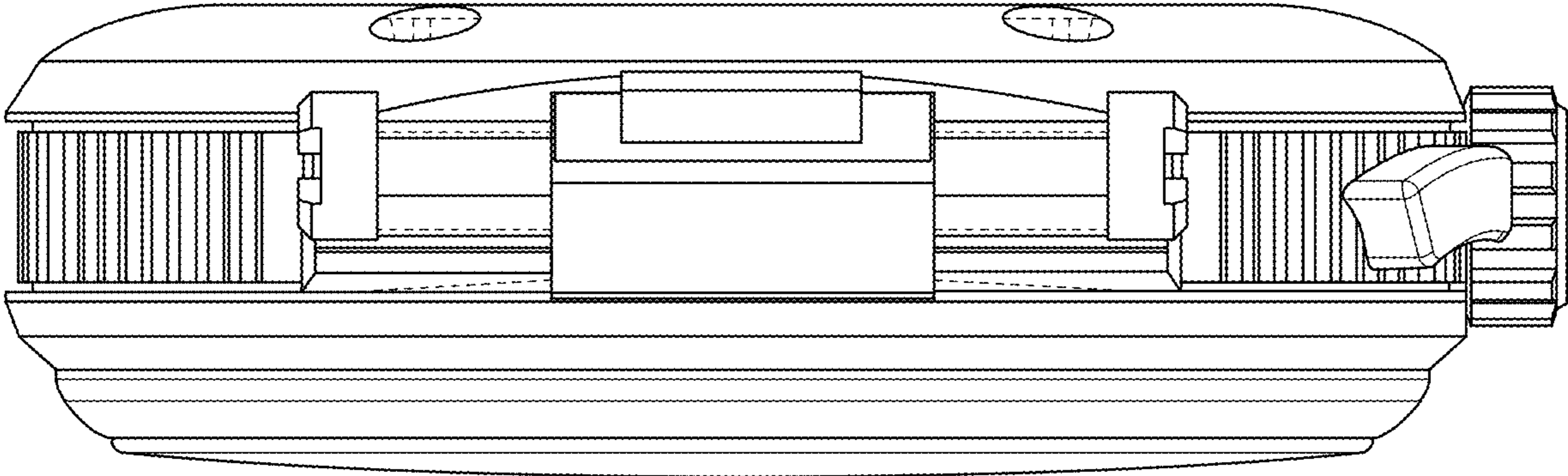


FIG. 5

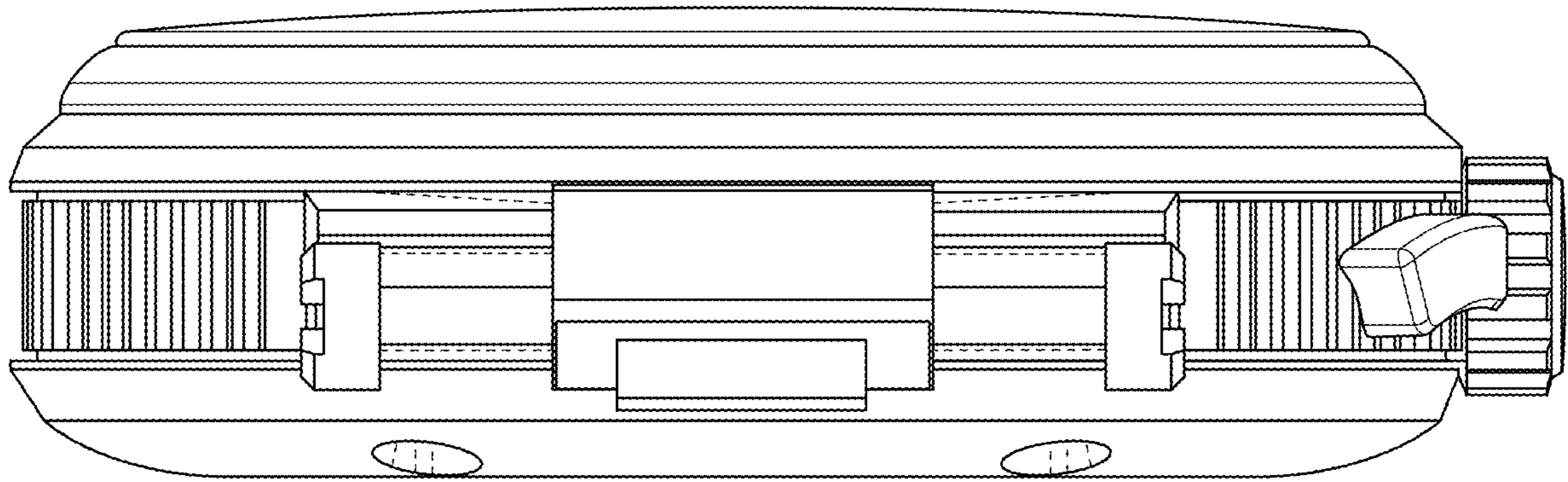


FIG. 6



FIG. 7

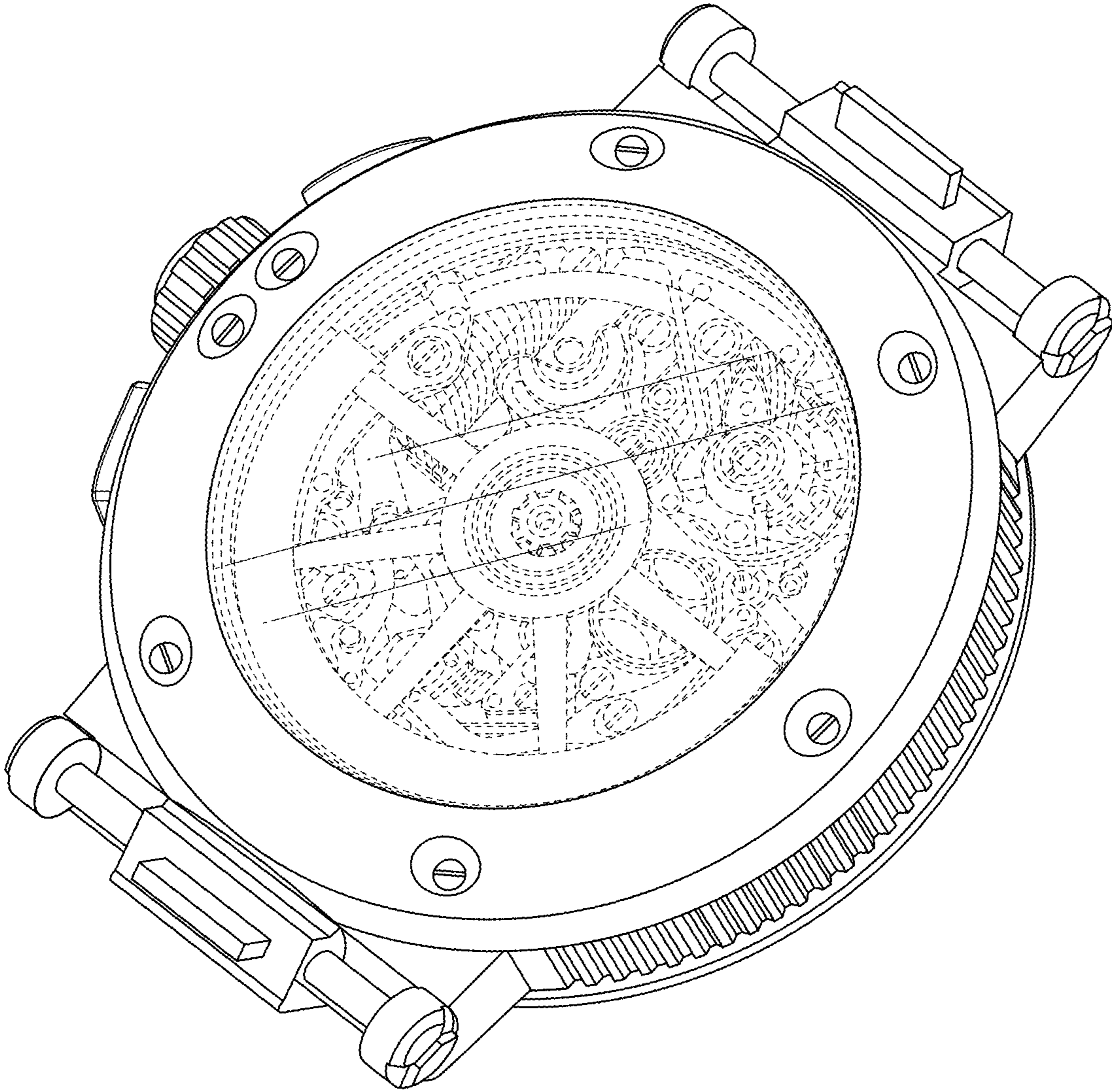


FIG. 8