



US00D881026S

(12) **United States Design Patent**  
**Laucella**

(10) **Patent No.:** **US D881,026 S**  
(45) **Date of Patent:** **\*\* Apr. 14, 2020**

- (54) **WATCH**
- (71) Applicant: **Montres Breguet S.A., L'Abbaye (CH)**
- (72) Inventor: **Vincent Laucella, Le Brassus (CH)**
- (73) Assignee: **MONTRES BREGUET S.A., L'abbaye (CH)**
- (\*\*) Term: **15 Years**
- (21) Appl. No.: **29/654,147**
- (22) Filed: **Jun. 21, 2018**

(30) **Foreign Application Priority Data**

- Dec. 21, 2017 (WO) ..... DM/099 109
- (51) **LOC (12) Cl.** ..... **10-02**
- (52) **U.S. Cl.**  
USPC ..... **D10/39**
- (58) **Field of Classification Search**  
USPC ..... D10/30-39, 122-124, 126  
CPC .... G06F 1/1613; G06F 1/1624; G06F 1/1626;  
G06F 1/165; G06F 3/0485; G06F 3/0488;  
G04B 19/06; G04B 19/10; G04B 19/103;  
G04B 19/12; G04B 19/24; G04B  
45/0069; G04B 45/0076; G04F 7/08;  
G04F 7/0842; G04F 7/0871  
See application file for complete search history.

(56) **References Cited**

**U.S. PATENT DOCUMENTS**

- D22,703 S \* 8/1893 Ball ..... D10/127
- 762,082 A \* 6/1904 Nichols ..... G04B 19/12  
29/896.32
- D172,442 S \* 6/1954 Richter ..... D10/39
- D496,296 S \* 9/2004 Nataf ..... D10/126
- D547,211 S \* 7/2007 Dias ..... D10/39
- D554,535 S \* 11/2007 Journe ..... D10/31
- D615,882 S \* 5/2010 Laucella ..... D10/39

- D628,497 S \* 12/2010 Laucella ..... D10/127
- D652,324 S \* 1/2012 Laucella ..... D10/33
- 8,356,929 B2 \* 1/2013 Zaugg ..... G04B 19/262  
368/127
- D725,526 S \* 3/2015 Graff ..... D10/126  
(Continued)

**OTHER PUBLICATIONS**

Breguet Marine Equation Marchante 5887 | posted at Hodinkee.com Aug. 2017 [online]. © 2009-2019, Hodinkee Inc [retrieved May 7, 2019] from Internet: <<https://www.hodinkee.com/articles/the-breguet-marine-equation-marchante-5887>> (Year: 2017).\*

(Continued)

*Primary Examiner* — Sandra S Snapp  
*Assistant Examiner* — Katherine Glennon  
(74) *Attorney, Agent, or Firm* — Abelman, Frayne & Schwab

(57) **CLAIM**

The ornamental design for a watch, as shown and described.

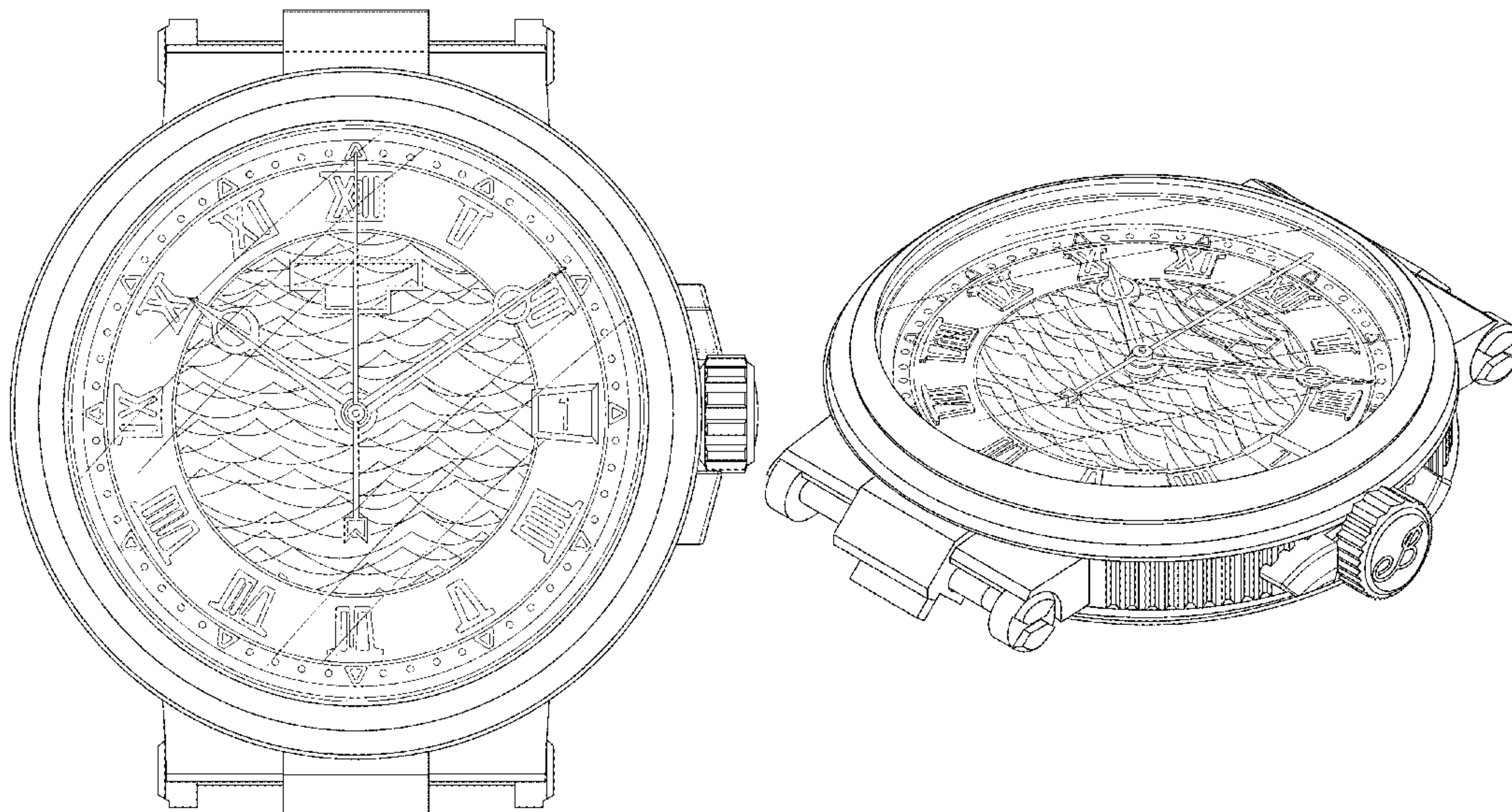
**DESCRIPTION**

FIG. 1 is a front view of a watch of the present design; FIG. 2 is a rear view thereof; FIG. 3 is a right side view thereof; FIG. 4 is a left side view thereof; FIG. 5 is a top view thereof; FIG. 6 is a bottom view thereof; and FIG. 7 is a top perspective view thereof; and, FIG. 8 is a bottom perspective view thereof.

The broken line showing of the watch is for the purpose of illustrating portions of the article and forms no part of the claimed design.

The cursive letter “B” disclosed on the crown forming part of the claimed design is a registered trademark of Montres Breguet S.A., which is the Applicant and Assignee of this application.

**1 Claim, 8 Drawing Sheets**



(56)

**References Cited**

## U.S. PATENT DOCUMENTS

D727,755 S \* 4/2015 Laucella ..... D10/39  
D794,476 S \* 8/2017 Laucella ..... D10/30  
D801,196 S \* 10/2017 Sugiura ..... D10/39  
D820,139 S \* 6/2018 Monachon ..... D10/126  
D822,522 S \* 7/2018 Laucella ..... D10/127  
D827,454 S \* 9/2018 Laucella ..... D10/39  
2008/0159081 A1 \* 7/2008 Laucella ..... G04B 3/048  
368/190  
2019/0000195 A1 \* 1/2019 Golay ..... A44C 5/142  
2019/0116945 A1 \* 4/2019 Rochat ..... A44C 5/147  
2019/0121295 A1 \* 4/2019 Romano ..... A44C 5/14

## OTHER PUBLICATIONS

Ulysse Nardin Blue Wave Chronometer | posted at youtube.com  
Sep. 2012 [online] [retrieved May 9, 2019] from Internet: <<https://www.youtube.com/watch?v=HCKGDHRLZos>> (Year: 2012).\*

Rolex Day-Date Blue Dial | posted at bobswatches.com n.d.; watch  
circa 2007 [online]. © Bob's Watches [retrieved May 9, 2019] from  
Internet: <<https://www.bobswatches.com/used-rolex-presidential-18k-white-gold-118209.html>> (Year: 2007).\*

\* cited by examiner



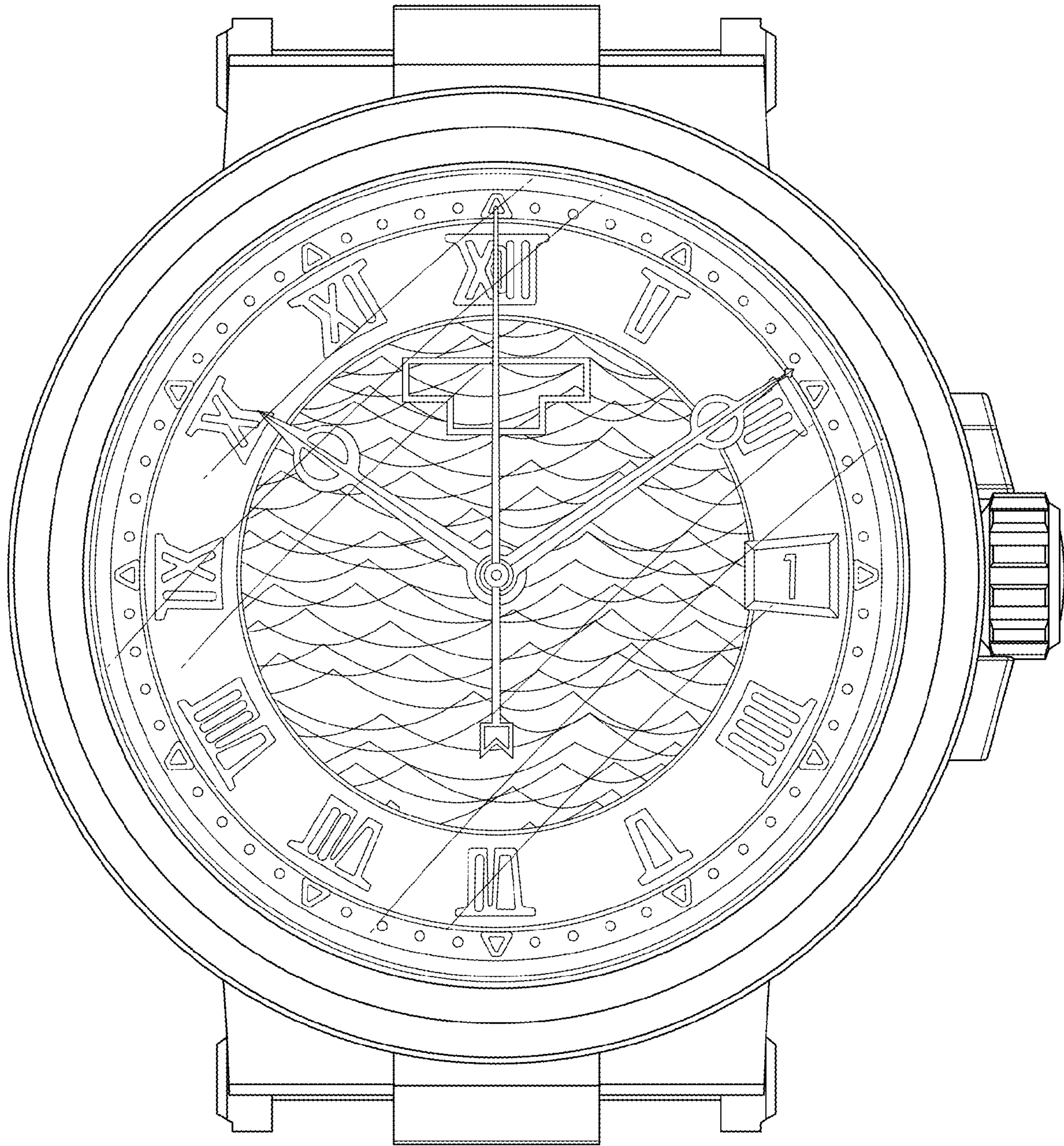


FIG. 1

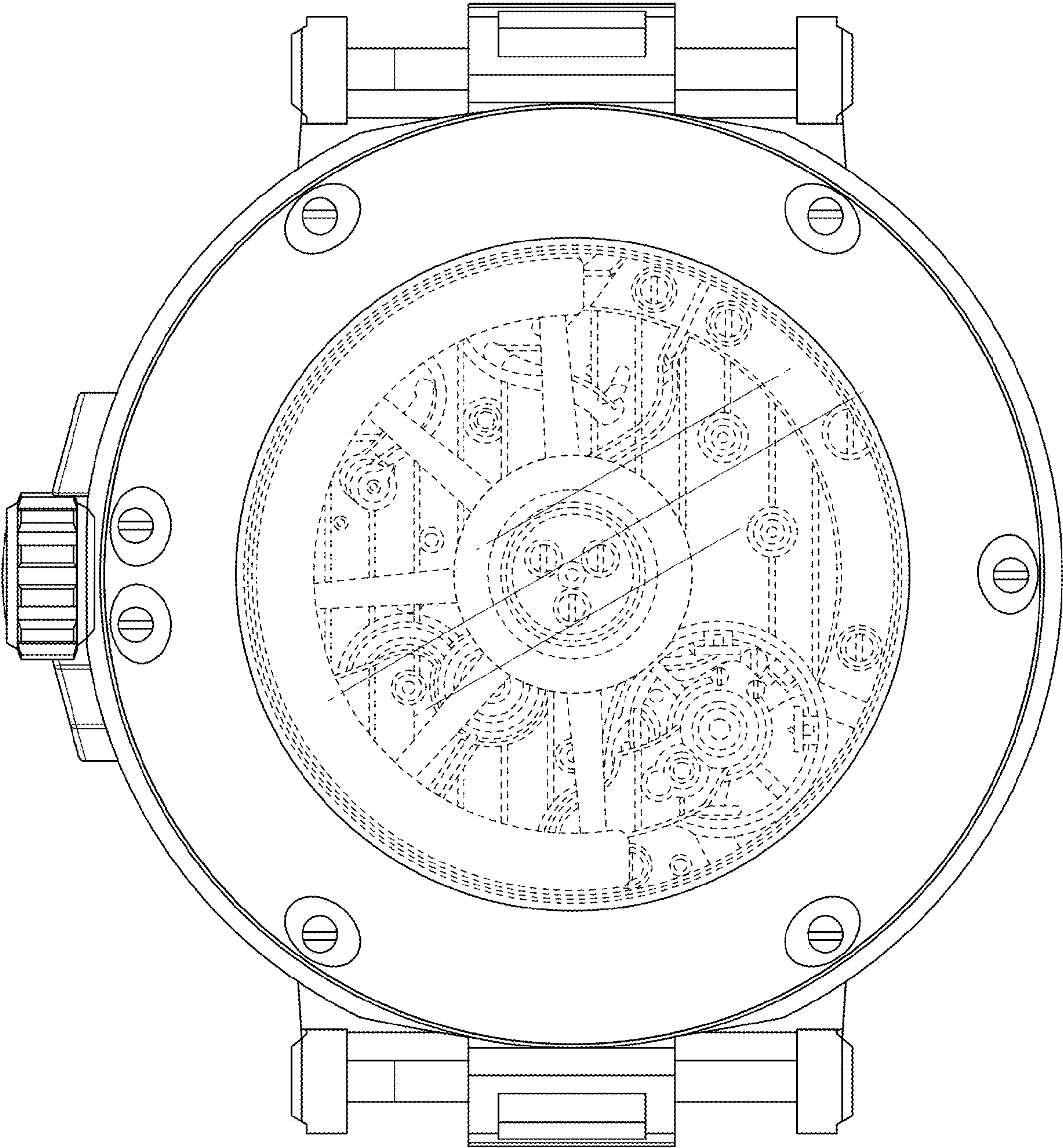


FIG. 2

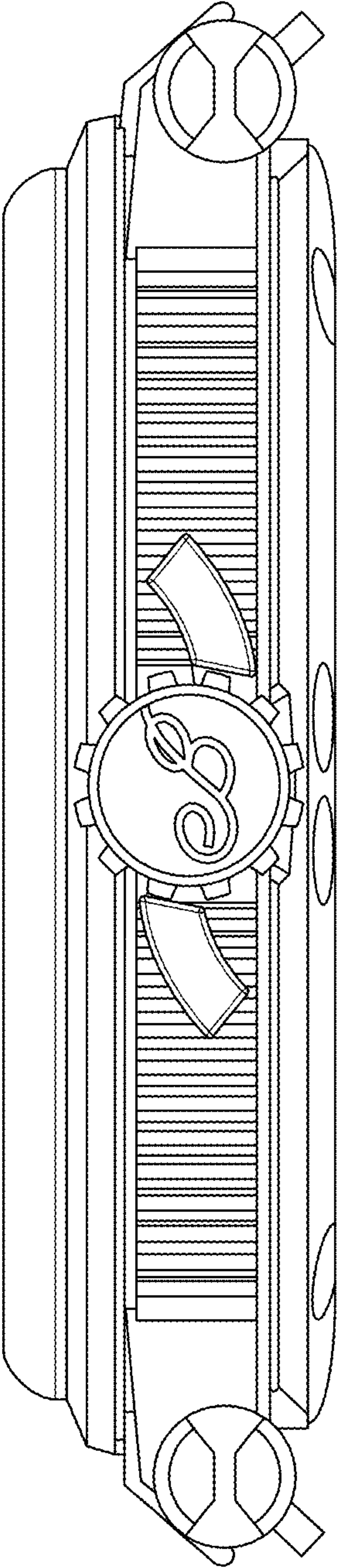


FIG. 3



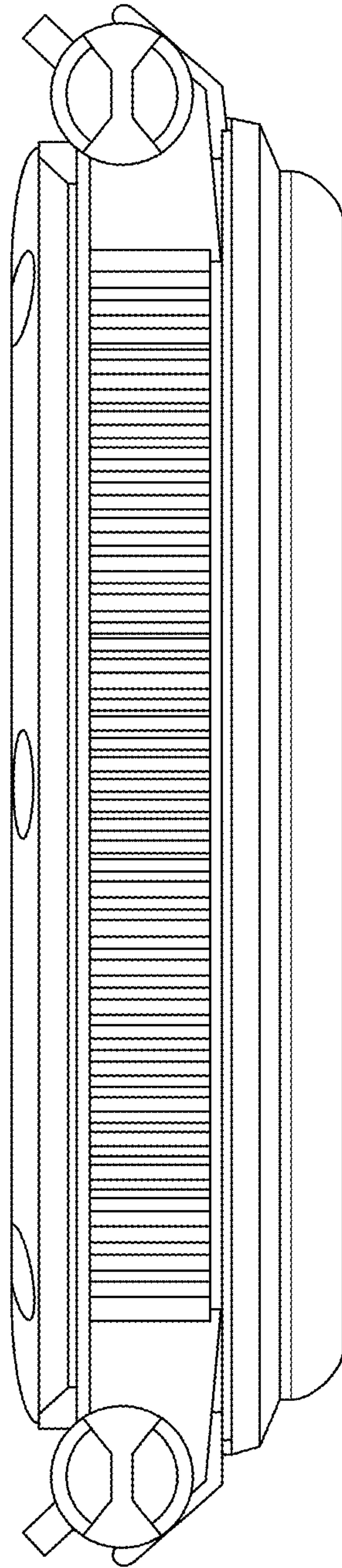


FIG. 4

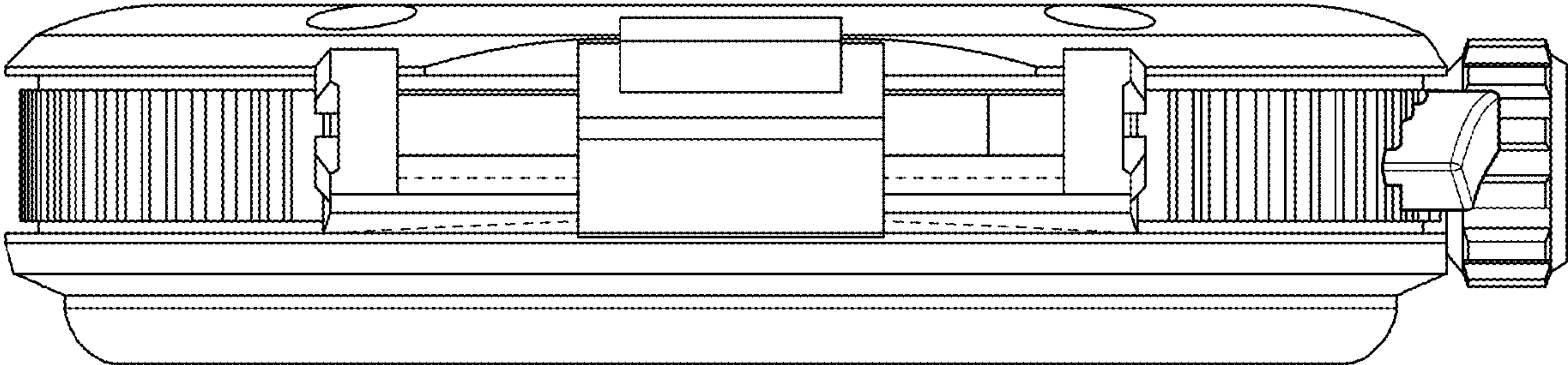


FIG. 5

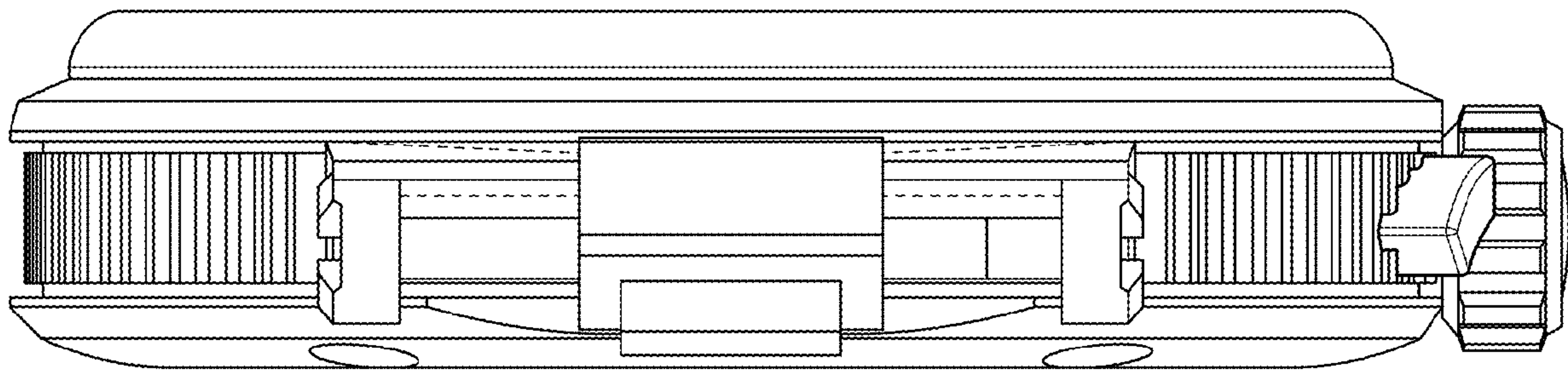


FIG. 6



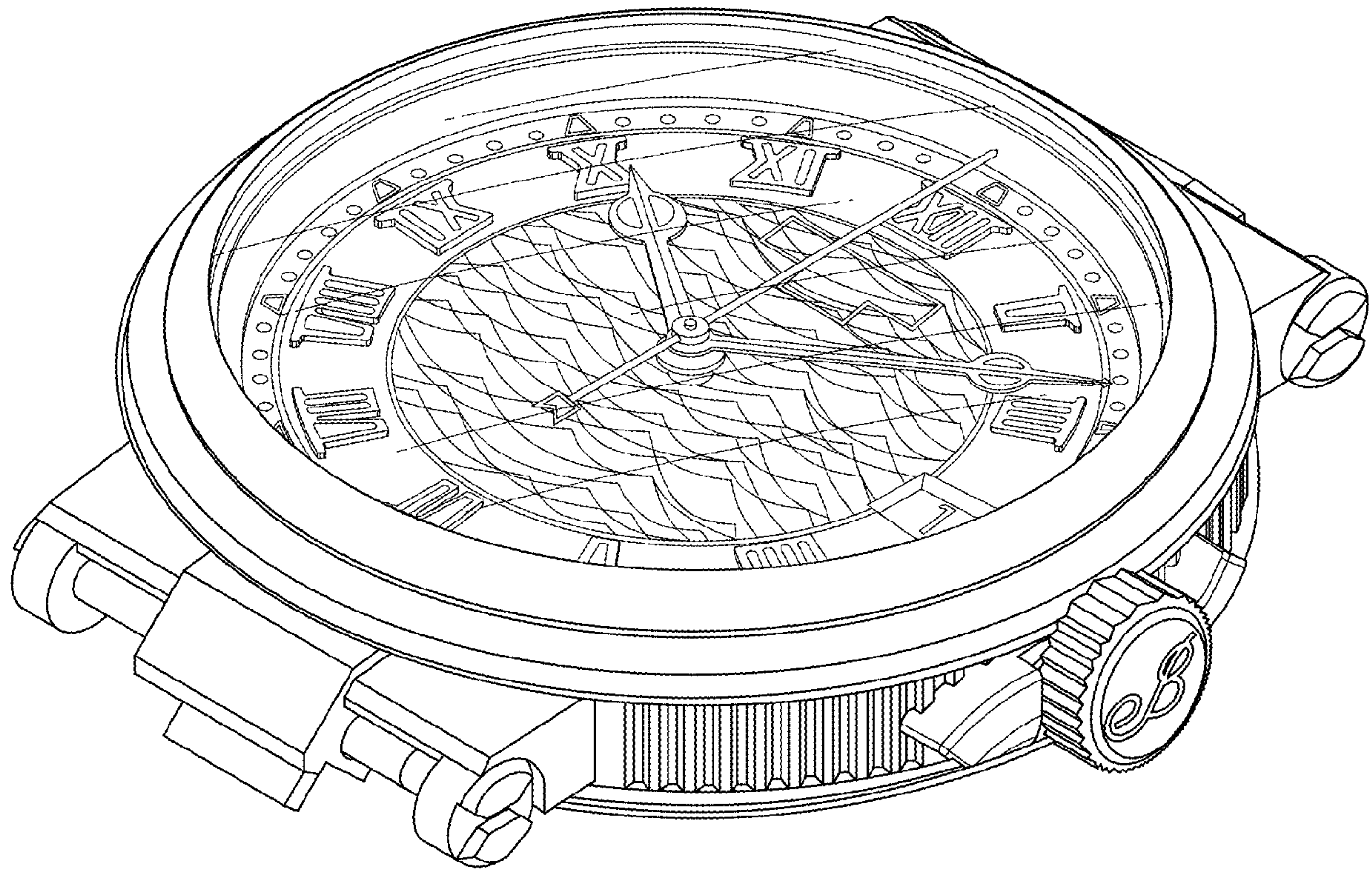


FIG. 7

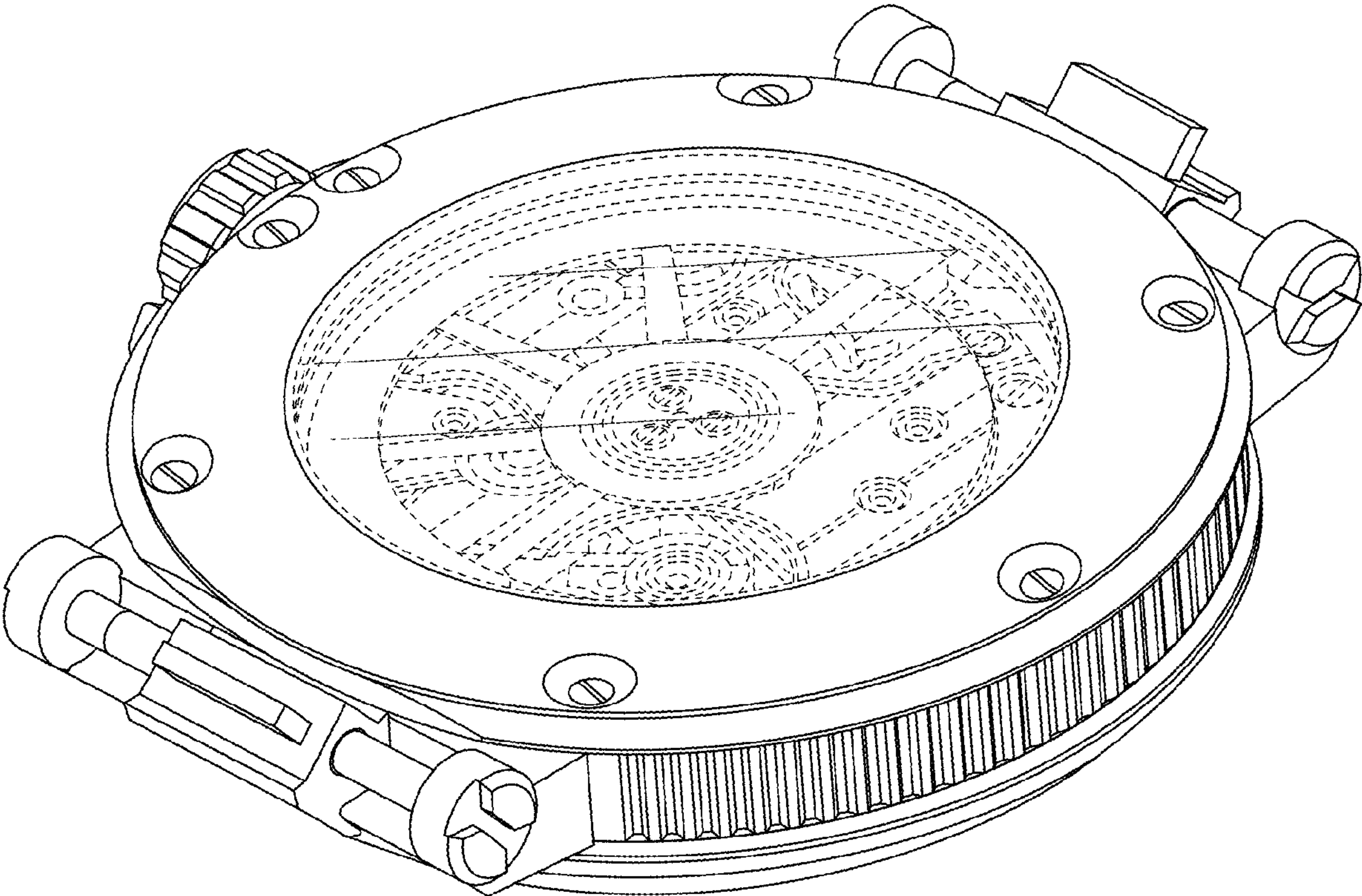


FIG. 8