



US00D881024S

(12) **United States Design Patent**  
**Savary**

(10) **Patent No.:** **US D881,024 S**

(45) **Date of Patent:** **\*\* Apr. 14, 2020**

(54) **WATCH**

(71) Applicant: **HUBLLOT SA, Genève, Genève (CH)**

(72) Inventor: **Sylvie Savary, Lausanne (CH)**

(73) Assignee: **HUBLLOT SA, Genève, Geneva (CH)**

(\*\*) Term: **15 Years**

(21) Appl. No.: **29/654,626**

(22) Filed: **Jun. 26, 2018**

(30) **Foreign Application Priority Data**

Feb. 20, 2018 (WO) ..... DM/099 945

(51) **LOC (12) Cl.** ..... **10-02**

(52) **U.S. Cl.**  
USPC ..... **D10/38**

(58) **Field of Classification Search**  
USPC ..... D10/30-39, 122-124, 126; D11/51, 52,  
D11/82, 100

CPC ..... G04B 19/06; G04B 19/10; G04B 19/103;  
G04B 19/12; G04B 19/24; G04B  
45/0069; G04B 45/0076; G04B 45/02;  
G04F 7/08; G04F 7/0842; G04F 7/0871;  
G09B 27/00-27/06

See application file for complete search history.

(56) **References Cited**

**U.S. PATENT DOCUMENTS**

D458,153 S \* 6/2002 Gensini ..... D10/30  
D497,109 S \* 10/2004 Itsubo ..... D10/30  
D523,357 S \* 6/2006 Kummer ..... D10/38  
D573,041 S \* 7/2008 Lulic ..... D10/39

D652,326 S \* 1/2012 Kummer ..... D10/38  
D653,128 S \* 1/2012 Vaptzarof ..... D10/39  
D707,137 S \* 6/2014 Tedeschi ..... D10/39  
D724,962 S \* 3/2015 Vaptzarof ..... D10/39  
D725,500 S \* 3/2015 Biver ..... D10/124  
D748,500 S \* 2/2016 Schwamkrug ..... D10/30  
D751,930 S \* 3/2016 Miodrag ..... D10/126  
D799,990 S \* 10/2017 Behling ..... D10/38  
D843,228 S \* 3/2019 Miodrag ..... D10/32  
D843,229 S \* 3/2019 Miodrag ..... D10/39  
D849,561 S \* 5/2019 Behling ..... D10/30  
D849,565 S \* 5/2019 Behling ..... D10/39  
2008/0304372 A1 \* 12/2008 Seyr ..... G04B 19/283  
368/309  
2014/0353349 A1 \* 12/2014 De Oliveira ..... A44C 5/14  
224/164

\* cited by examiner

*Primary Examiner* — Sandra S Snapp

*Assistant Examiner* — Katherine Glennon

(74) *Attorney, Agent, or Firm* — Sughrue Mion, PLLC

(57) **CLAIM**

The ornamental design for a watch, as shown and described.

**DESCRIPTION**

FIG. 1 is a top, front and side perspective view of a watch showing my new design;

FIG. 2 is a front elevational view thereof;

FIG. 3 is a rear elevational view thereof;

FIG. 4 is a left side elevational view thereof;

FIG. 5 is a right side elevational view thereof;

FIG. 6 is a top plan view thereof; and,

FIG. 7 is a bottom plan view.

The portions depicted by broken lines are shown for illustrative purposes only and form no part of the claimed design.

**1 Claim, 7 Drawing Sheets**

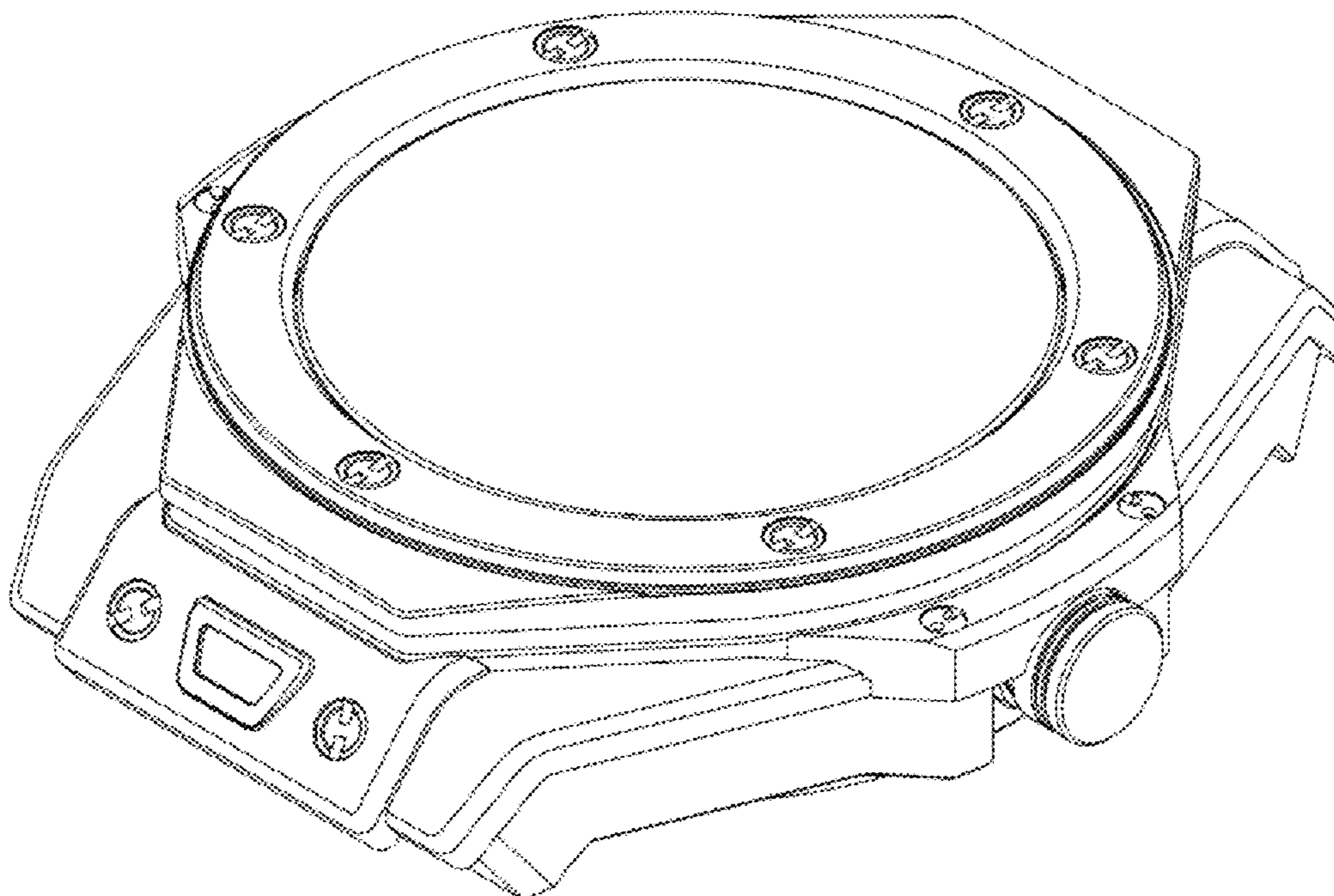
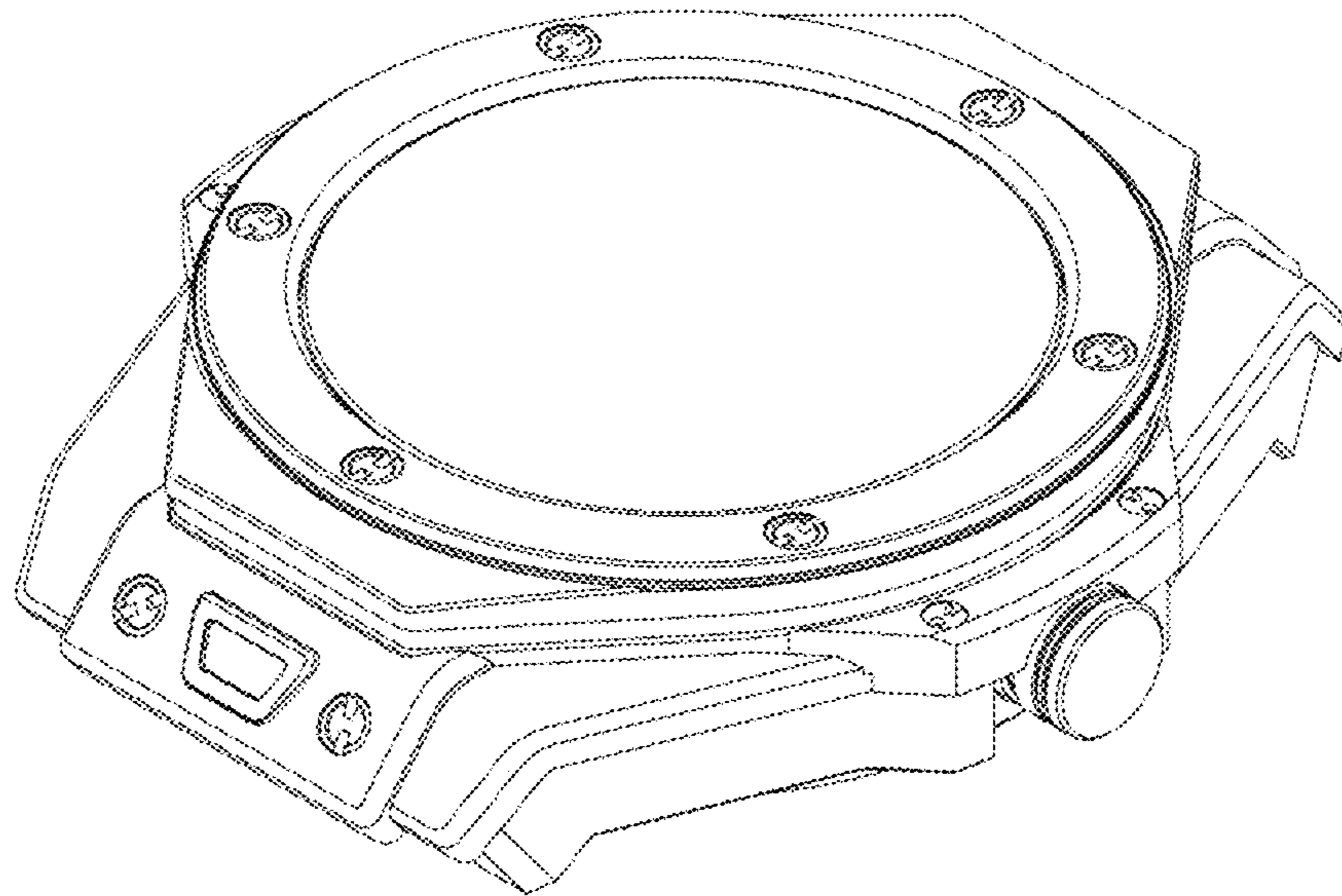


FIG. 1



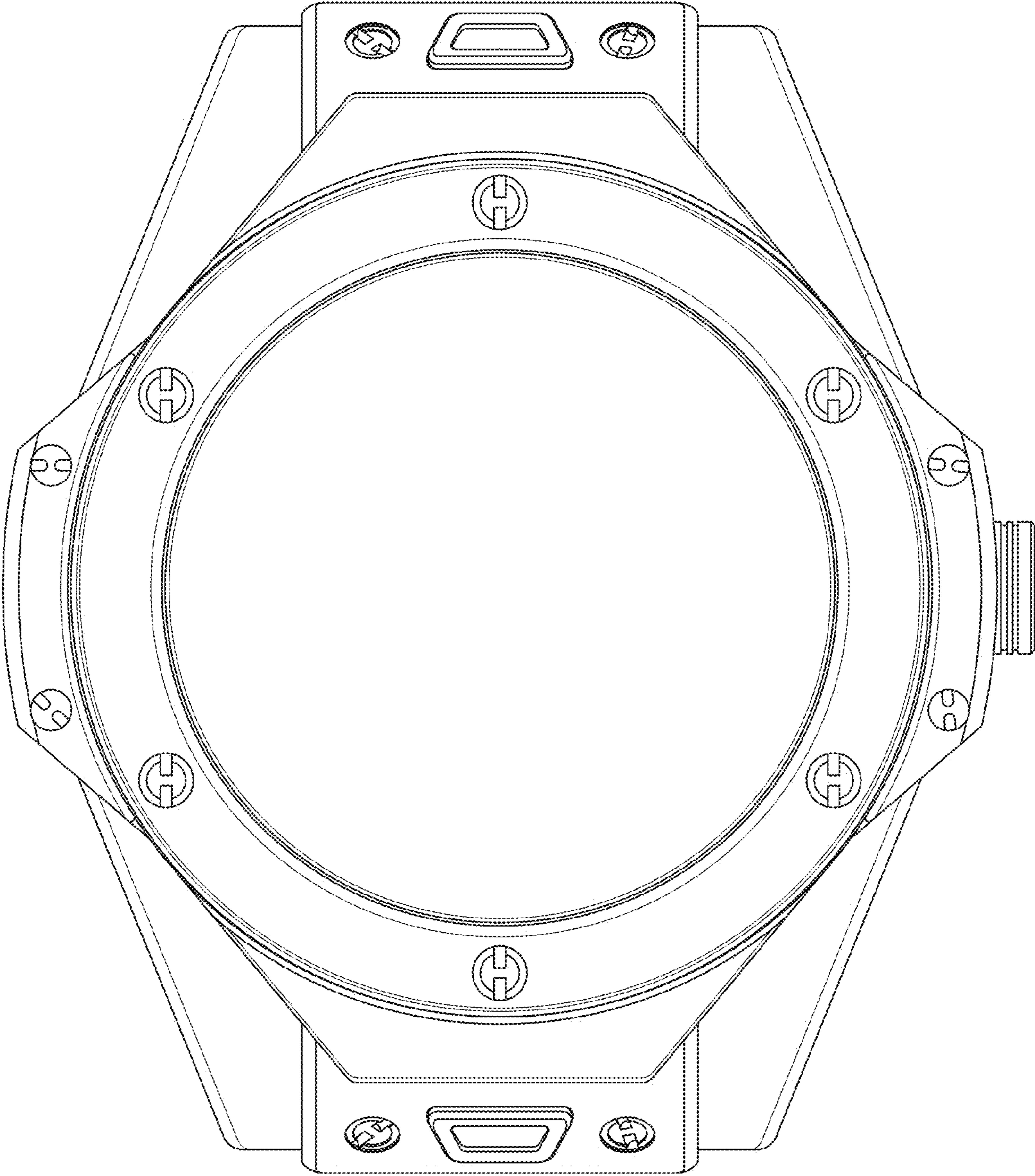


FIG. 2

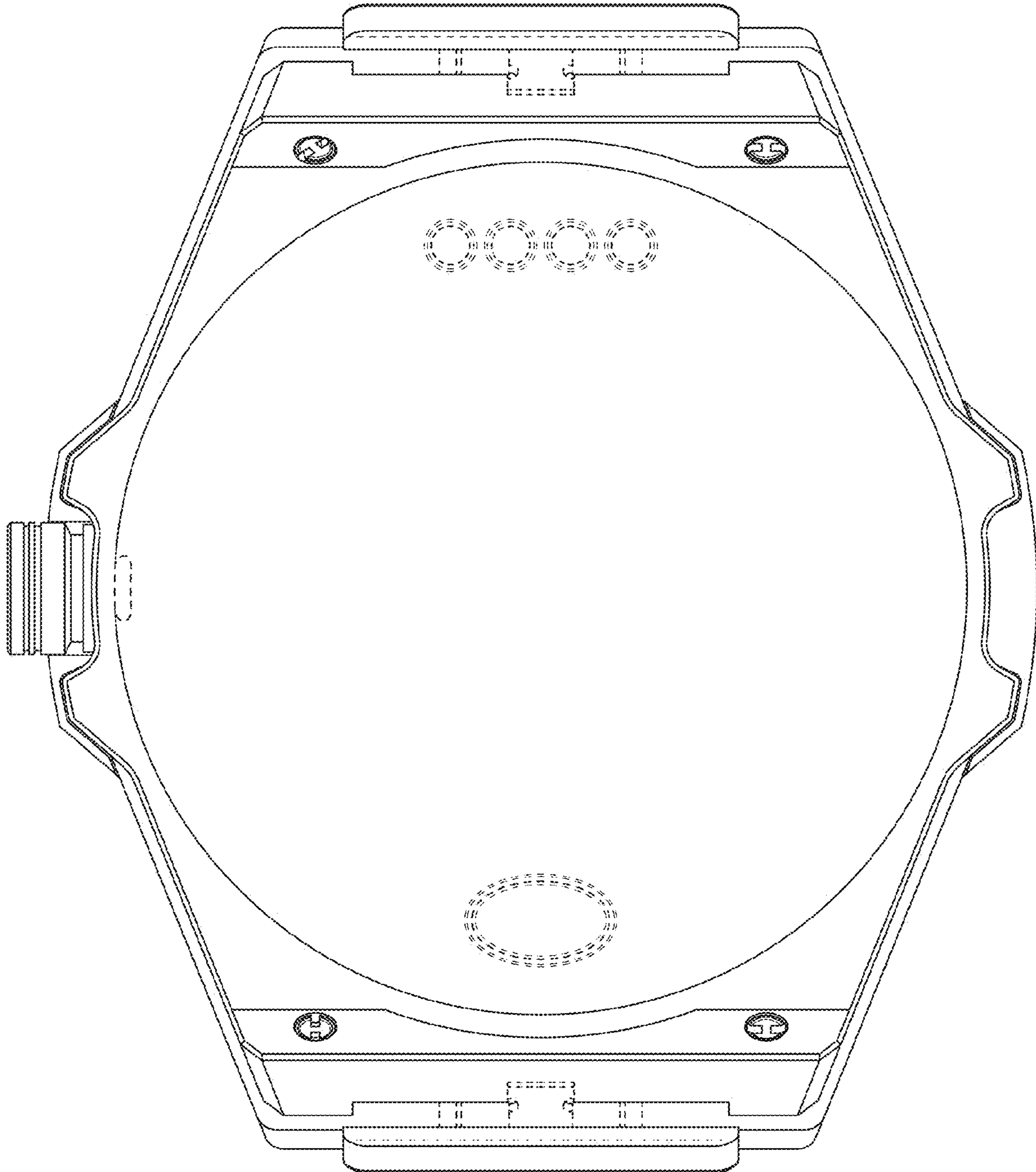


FIG. 3

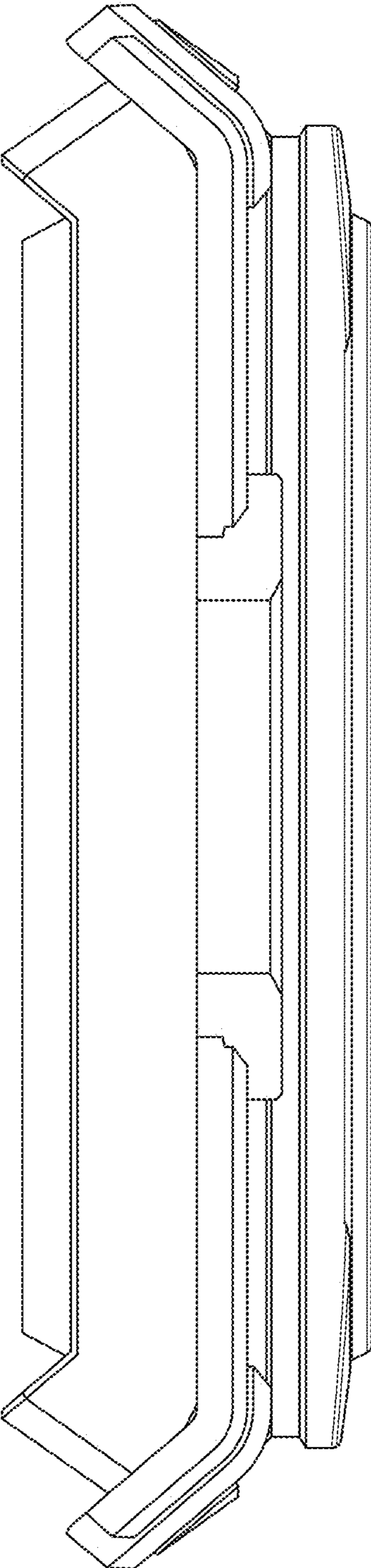


FIG. 4

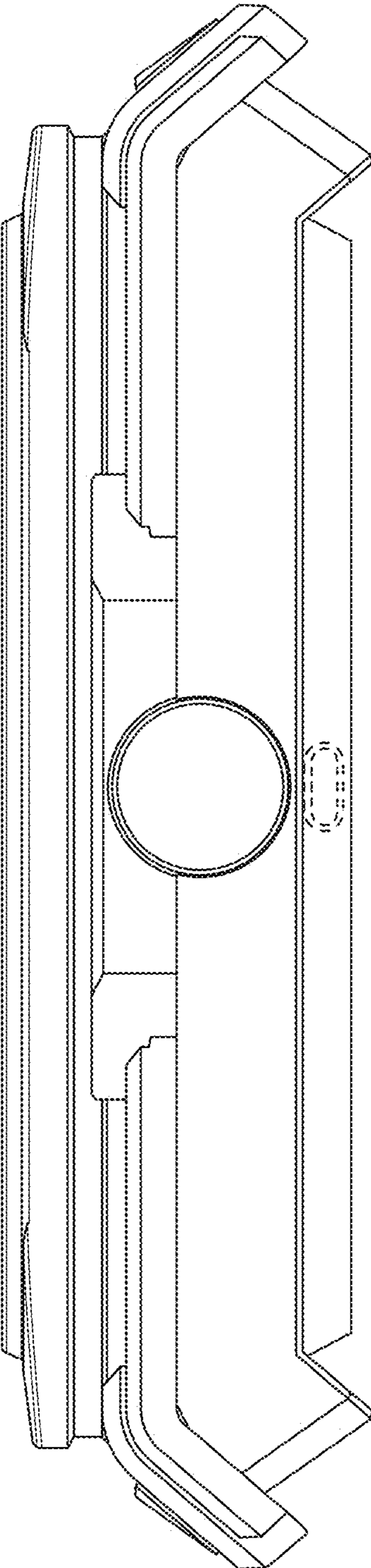


FIG. 5

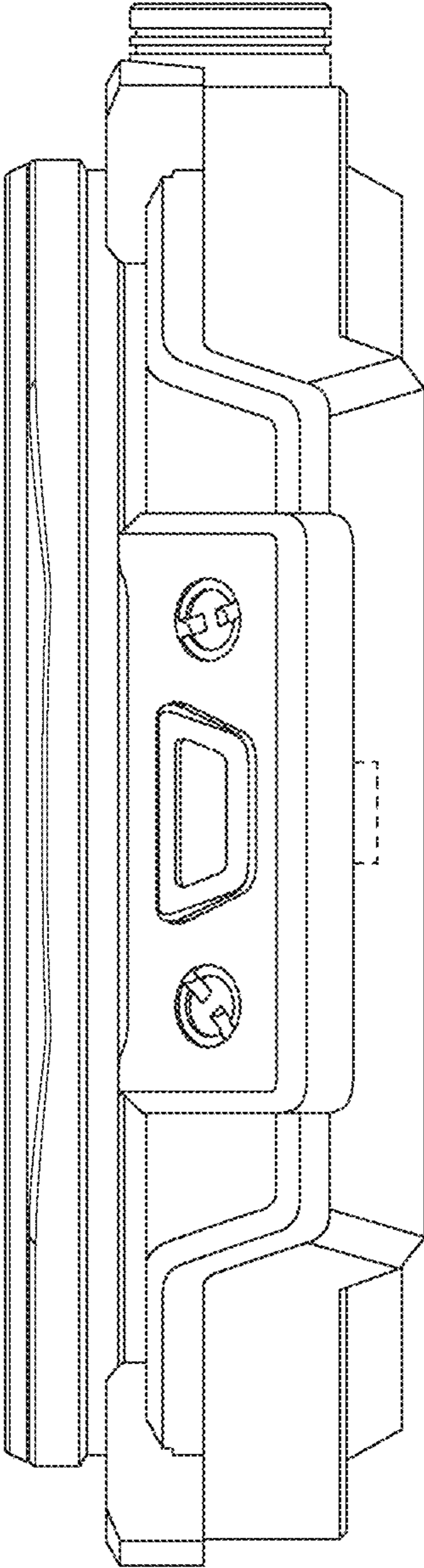


FIG. 6

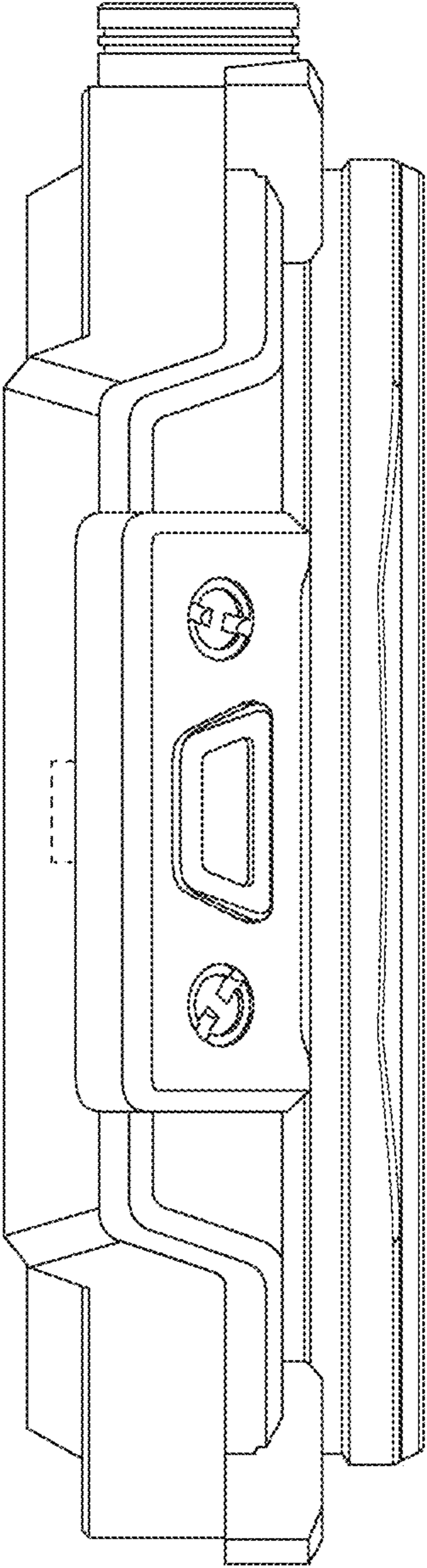


FIG. 7