



US00D881023S

(12) **United States Design Patent** (10) **Patent No.:** **US D881,023 S**
Hu (45) **Date of Patent:** **** Apr. 14, 2020**

(54) **ALARM CLOCK**

(71) Applicant: **MPOW TECHNOLOGY CO., LIMITED**, Kowloon (HK)

(72) Inventor: **Zaihui Hu**, Kowloon (HK)

(73) Assignee: **MPOW TECHNOLOGY CO., LIMITED**, Kowloon (HK)

(**) Term: **15 Years**

(21) Appl. No.: **29/634,950**

(22) Filed: **Jan. 25, 2018**

(51) **LOC (12) Cl.** **10-01**

(52) **U.S. Cl.**
USPC **D10/15; D14/171**

(58) **Field of Classification Search**
USPC D10/1-2, 5, 7, 14-15, 22, 24, 40-41,
D10/122-124, 126-130; D14/170-172,
D14/189

CPC G04B 19/00; G04B 19/04; G04B 19/042;
G04B 19/046; G04B 19/048; G04B
19/06; G04B 19/08; G04B 19/085; G04B
19/087; G04B 19/10; G04B 19/12; G04B
19/26; G04B 19/262; G04B 19/264;
G04B 19/268; G04B 21/08; G04B 23/00;
G04B 23/03; G04B 23/028; G04B
23/008; G04B 37/00; G04B 37/008;
G04B 37/0075; G04B 45/04; G04B
45/046; G04B 47/048; G04F 1/00; G04F
7/06; G04F 7/062; G04F 7/065; G04F
8/006; G07C 1/28

See application file for complete search history.

(56) **References Cited**

U.S. PATENT DOCUMENTS

D308,383 S * 6/1990 Megregian D14/258
D312,971 S * 12/1990 Takashima D10/10
D314,966 S * 2/1991 Magic D14/157
D316,548 S * 4/1991 Yeung D14/144
D344,956 S * 3/1994 Dziekan D14/157

D356,093 S * 3/1995 McCauley D14/157
D409,499 S * 5/1999 Hargrove, III D10/1
D514,546 S * 2/2006 Chan D14/171
D637,822 S * 5/2011 Utsunomiya D6/308
D675,031 S * 1/2013 Presgraves D6/300
D695,705 S * 12/2013 Shimizu D14/172
D782,993 S * 4/2017 Wang D14/138 G
D820,114 S * 6/2018 Hu D10/15
D828,184 S * 9/2018 Hu D10/26
D852,772 S * 7/2019 Zhang D14/171

(Continued)

OTHER PUBLICATIONS

MPOW Digital Alarm Clock Curved LED Screen | posted at amazon.com no date [online]. © 1996-2020, Amazon.com, Inc [retrieved Jan. 27, 2020] from Internet: <https://www.amazon.com/Mpow-Digital-Curved-Screen-Display-Adjustable/dp/B07J6PGGL5/ref=sr_1_23?keywords=MPOW+clock&qid=1580145470&refinements=p_n_availability%3A1248816011&rnid=1248814011&s=home-garden&sr=1-23> (Year: 2020).*

Primary Examiner — Sandra S Snapp
Assistant Examiner — Katherine Glennon

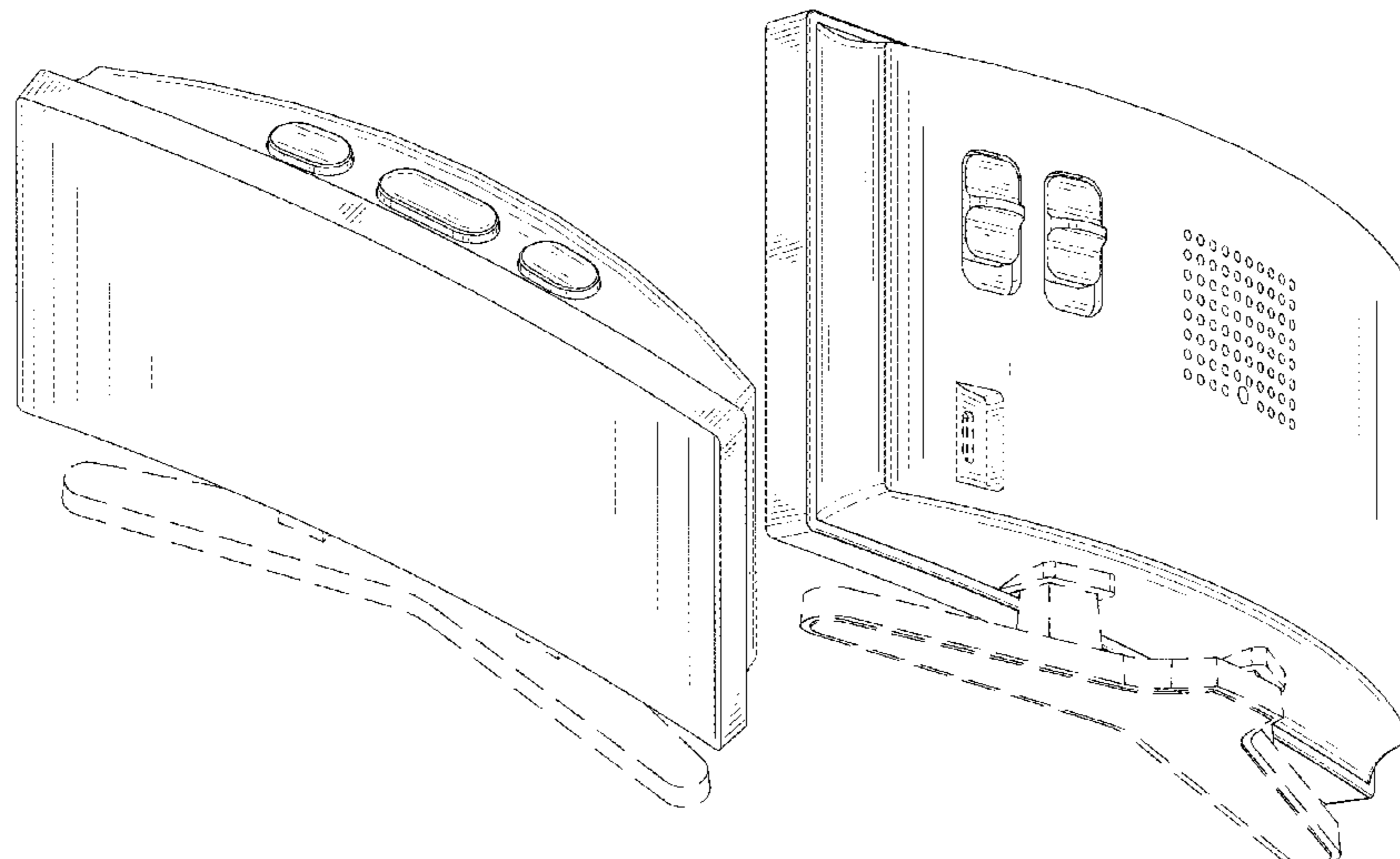
(57) **CLAIM**

The ornamental design for an alarm clock, as shown and described.

DESCRIPTION

FIG. 1 is a first perspective view of an alarm clock showing my new design;
FIG. 2 is a second perspective view thereof;
FIG. 3 is a front elevational view thereof;
FIG. 4 is a rear elevational view thereof;
FIG. 5 is a left side view thereof;
FIG. 6 is a right side view thereof;
FIG. 7 is a top plan view thereof;
FIG. 8 is a bottom plan view thereof; and,
FIG. 9 is an enlarged view of part 9 in FIG. 5.
The broken line portions are included to show unclaimed subject matter only and form no part of the claimed design.

1 Claim, 9 Drawing Sheets



(56)

References Cited

U.S. PATENT DOCUMENTS

D853,860 S * 7/2019 Bai D10/2
D859,626 S * 9/2019 Hu D23/366
D873,153 S * 1/2020 Hu D10/15

* cited by examiner

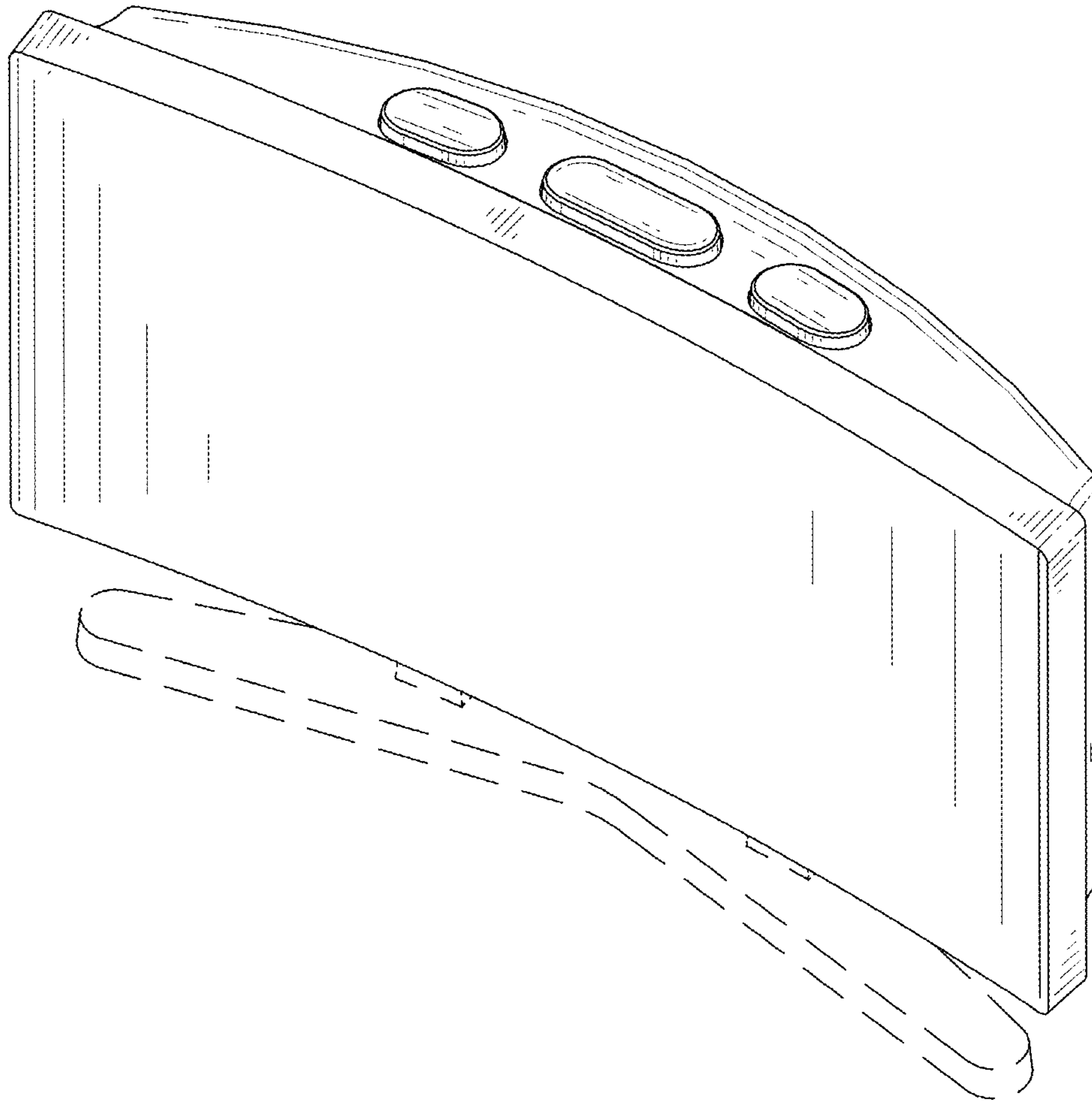


FIG. 1

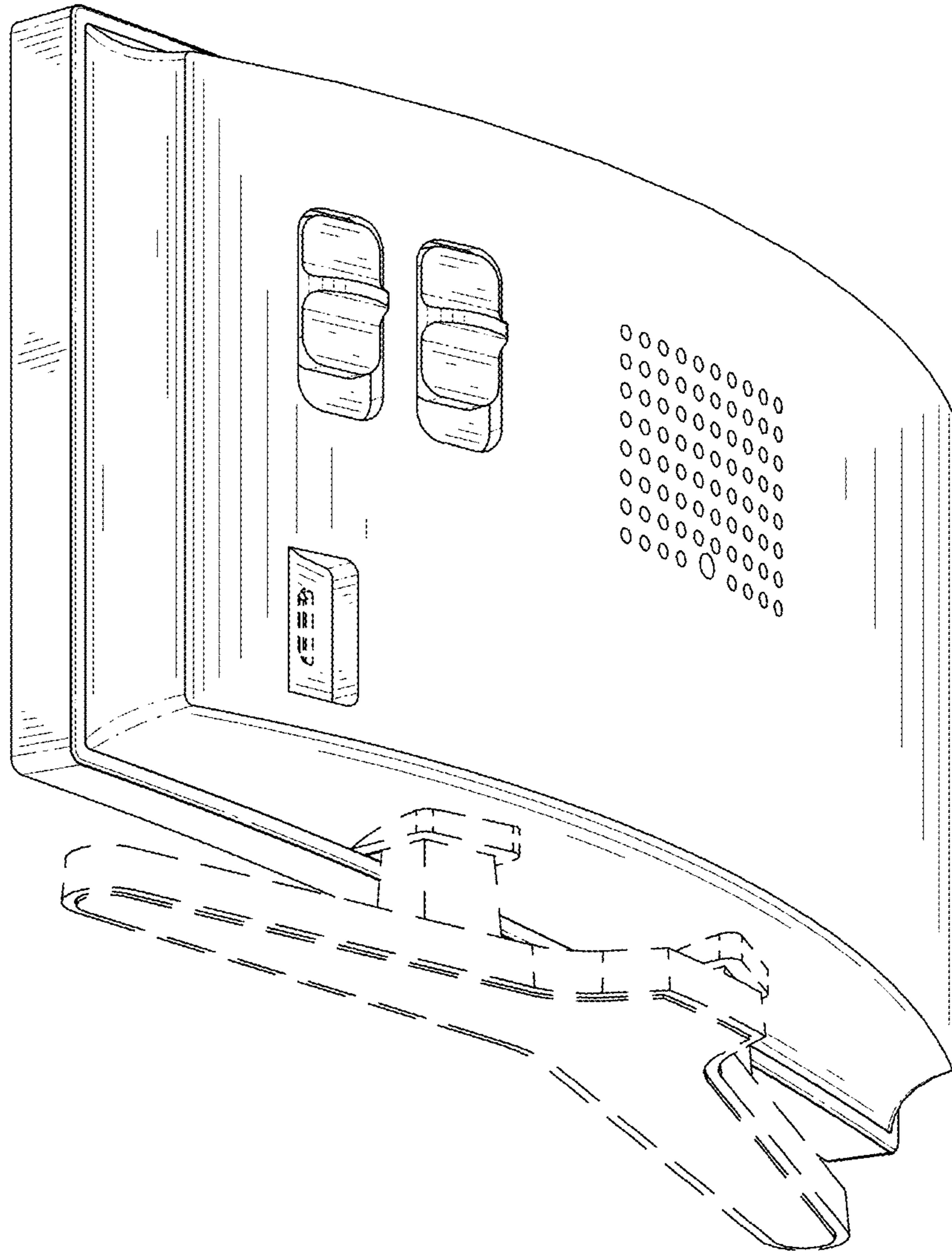


FIG. 2

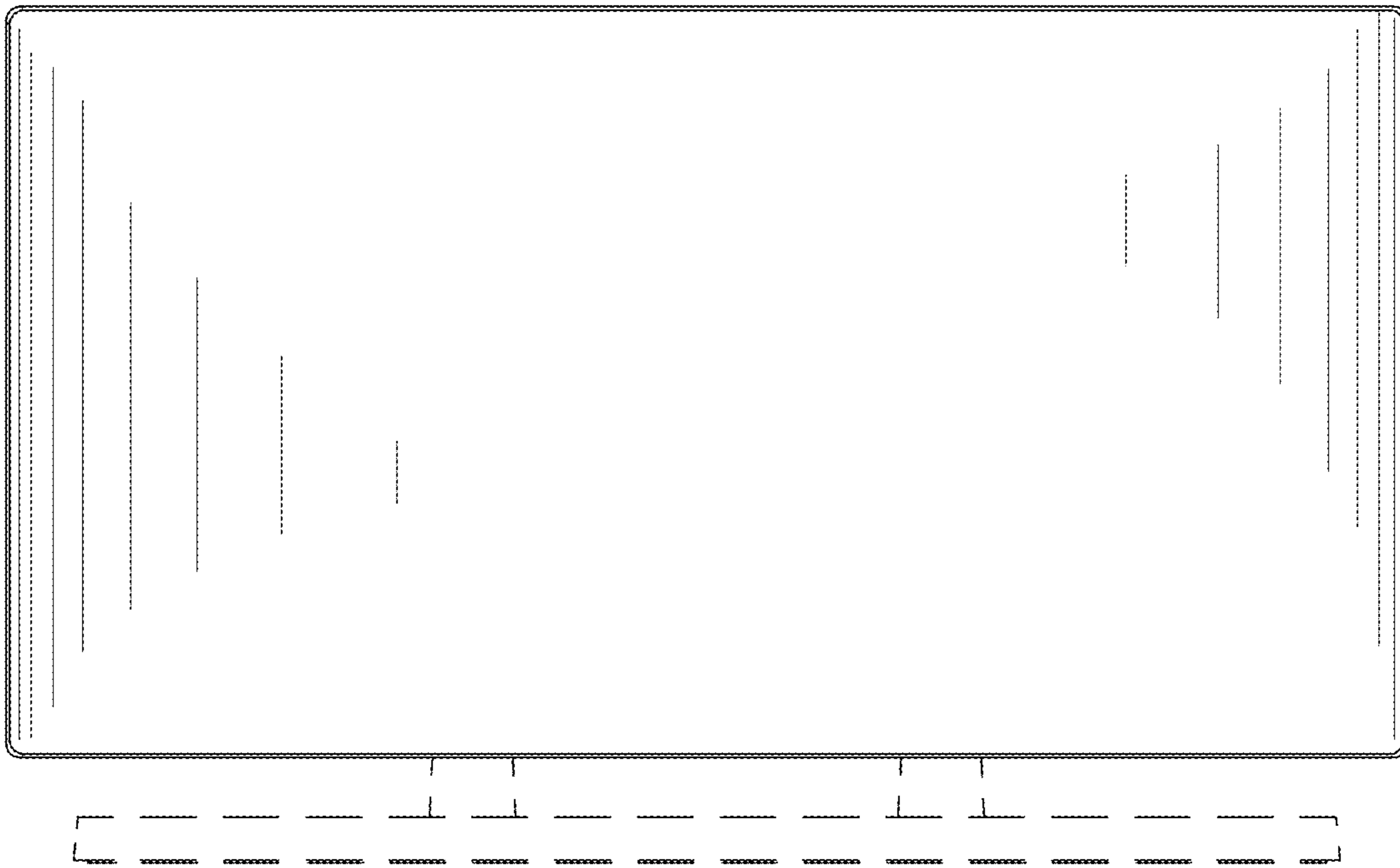


FIG. 3

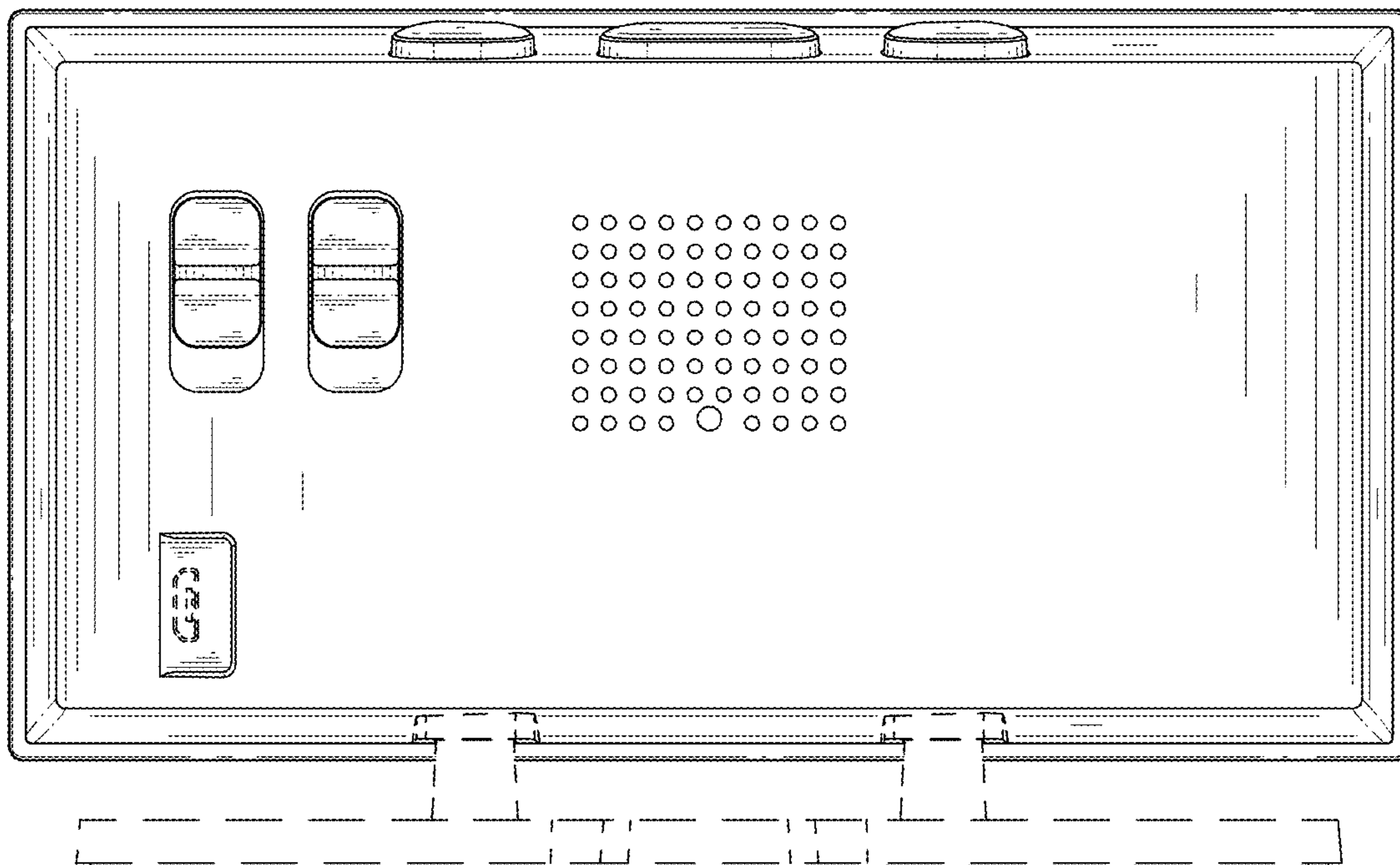


FIG. 4

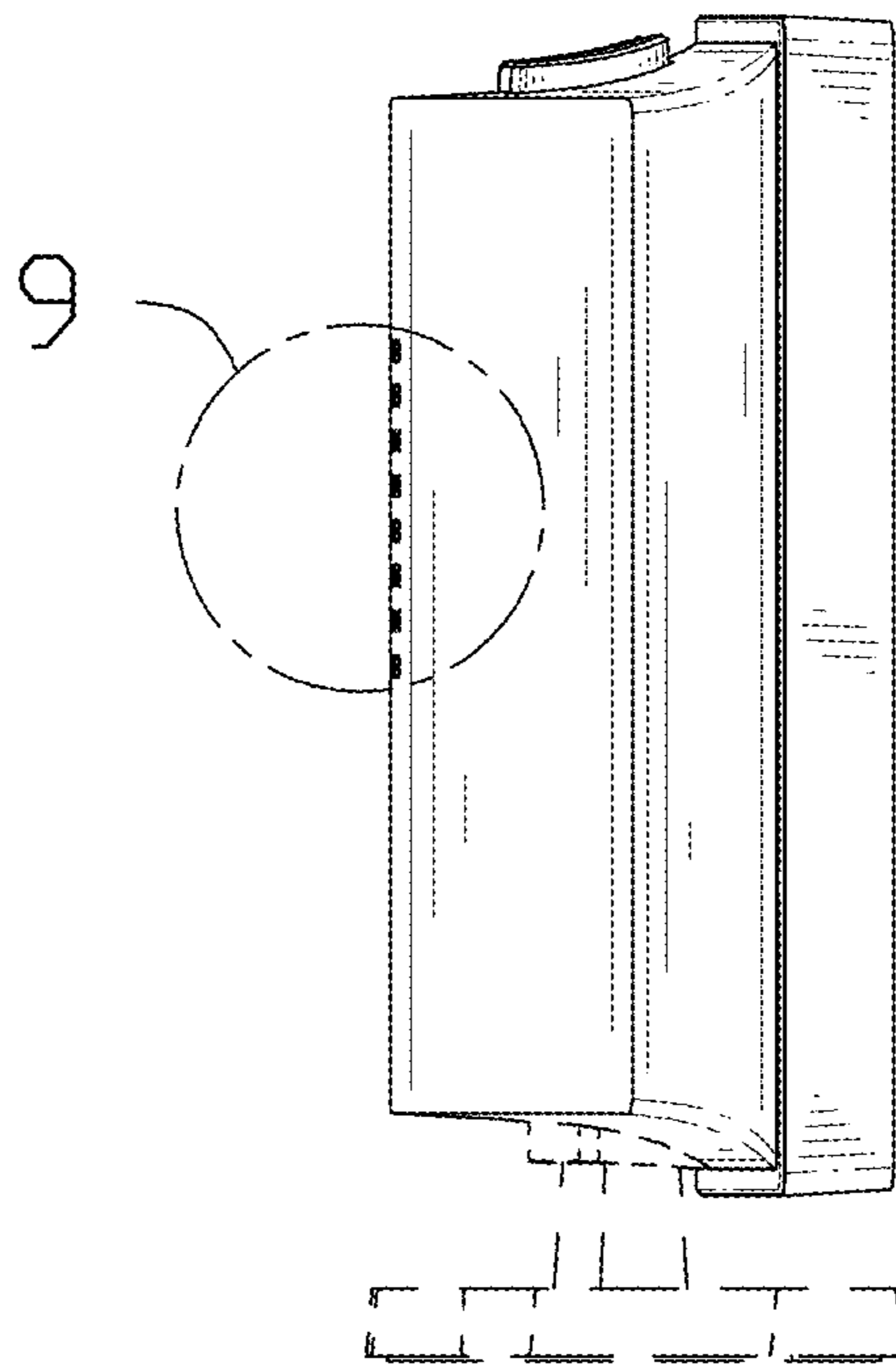


FIG. 5

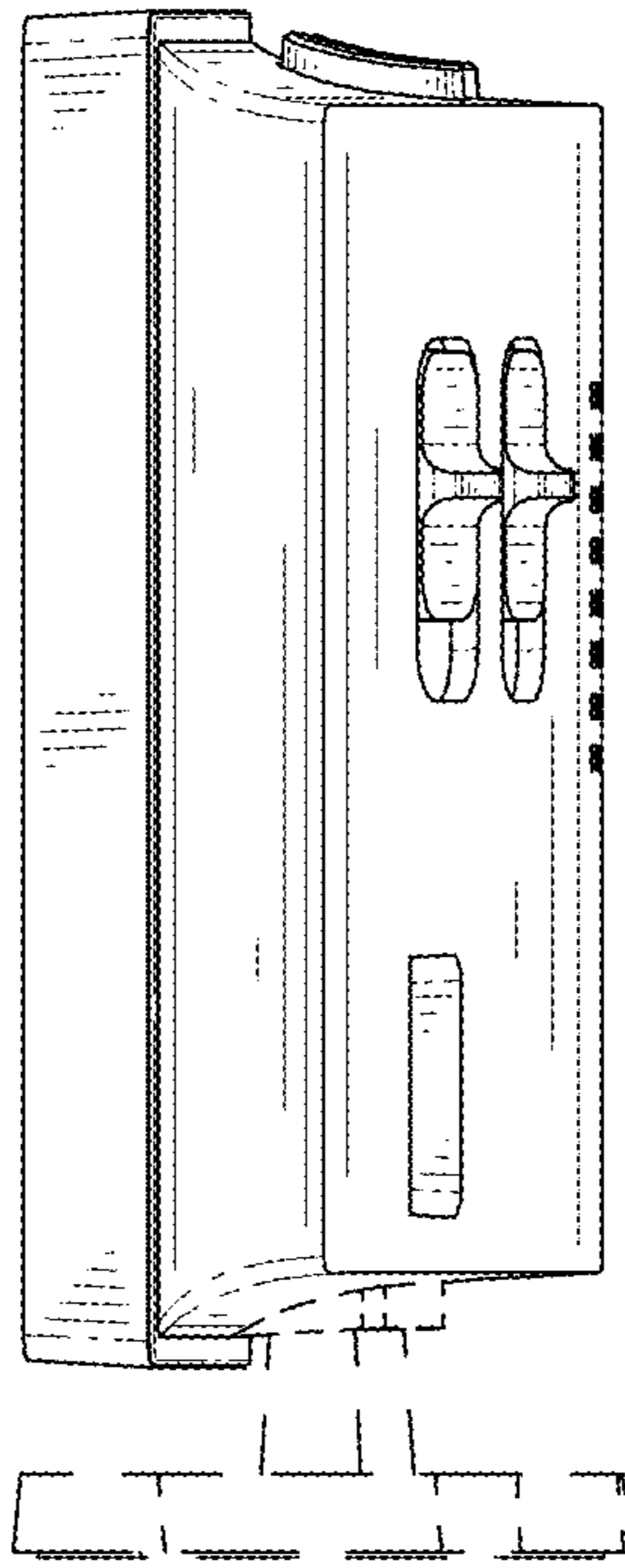


FIG. 6

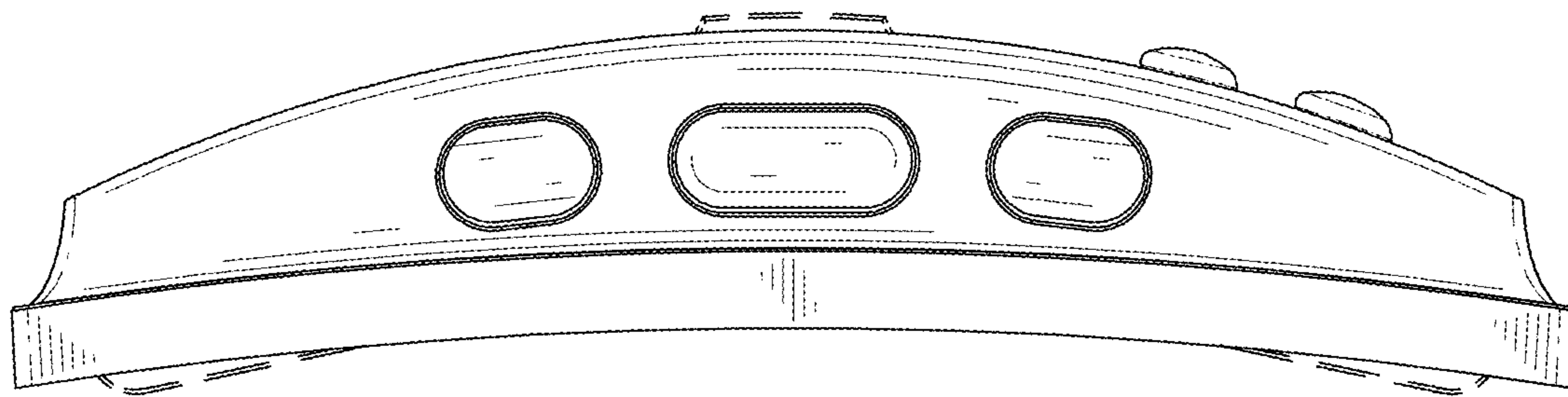


FIG. 7

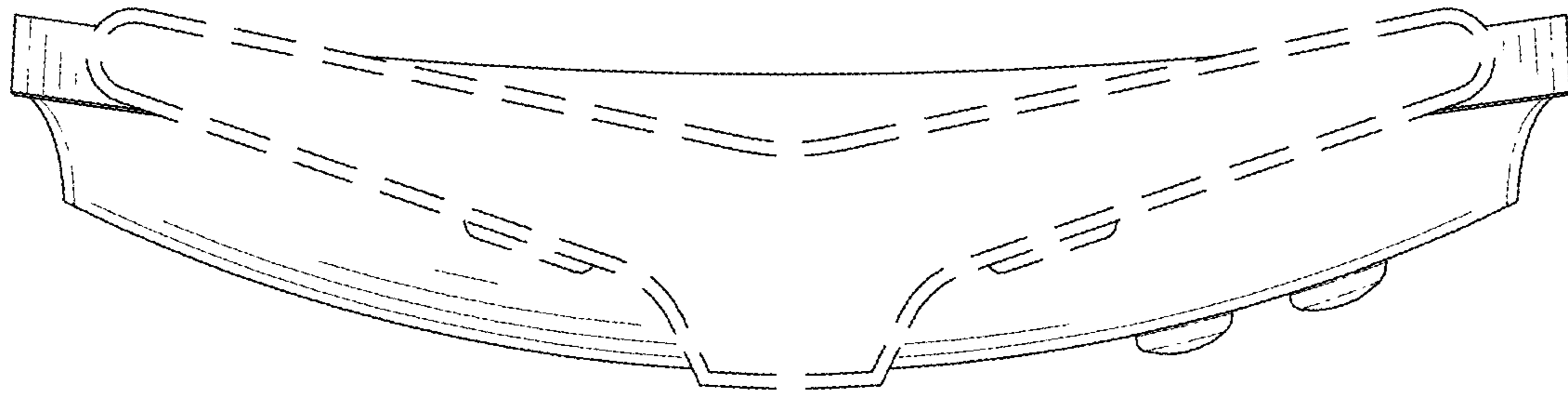


FIG. 8

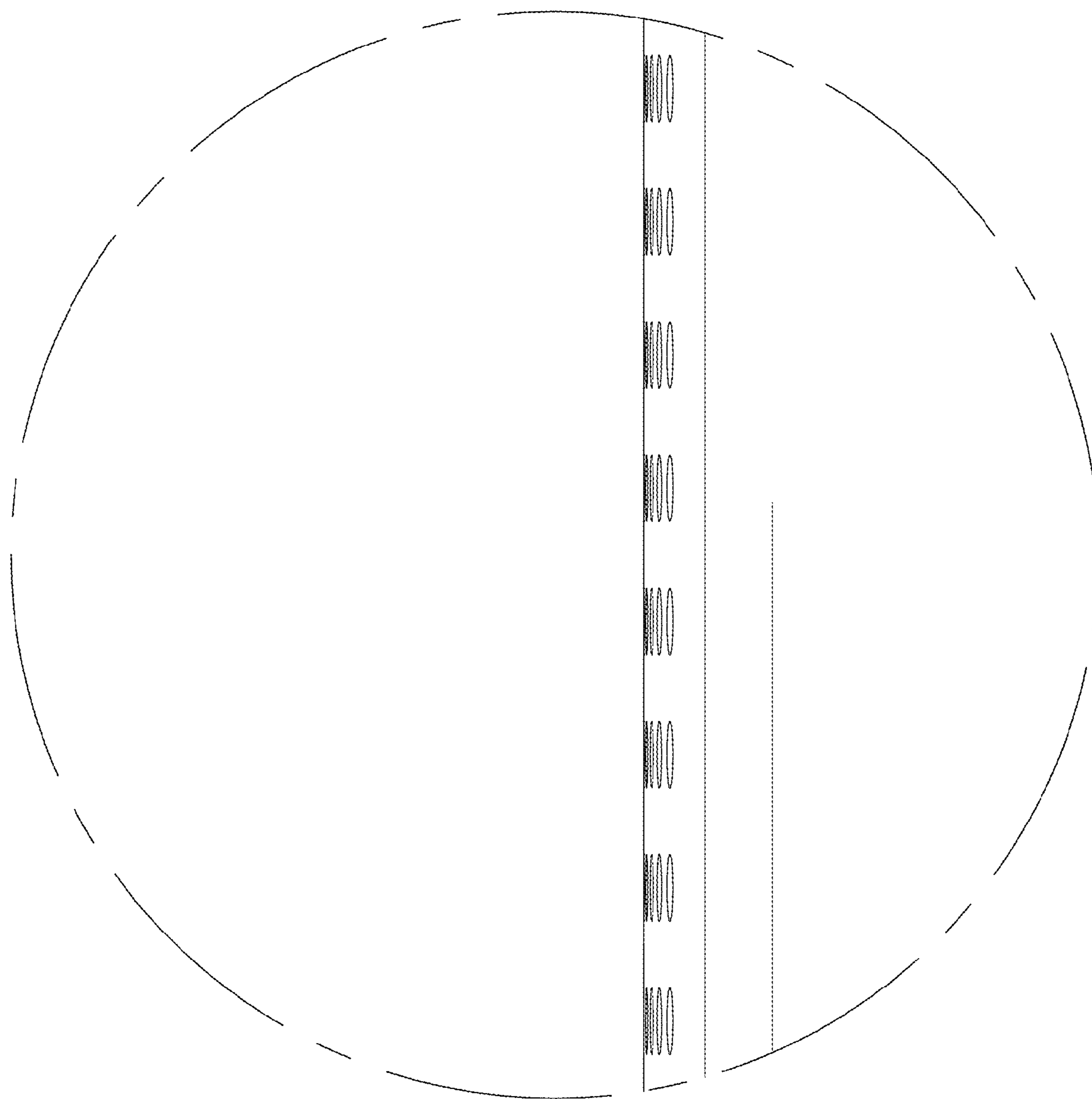


FIG. 9