



US00D881021S

(12) **United States Design Patent**
Bandinu

(10) **Patent No.:** **US D881,021 S**
(45) **Date of Patent:** **** Apr. 14, 2020**

- (54) **PACKAGING FOR BOTTLES**
- (71) Applicant: **NAKURU S.R.L.**, Francavilla al Mare (CH) (IT)
- (72) Inventor: **Angelo Bandinu**, Francavilla al Mare (IT)
- (73) Assignee: **NAKURU S.R.L.**, Francavilla al Mare (IT)
- (**) Term: **15 Years**
- (21) Appl. No.: **29/676,710**
- (22) Filed: **Jan. 14, 2019**
- (30) **Foreign Application Priority Data**

- 3,840,171 A * 10/1974 Waters B65D 71/72
206/562
- 3,949,930 A * 4/1976 Giordano B65D 5/48014
206/562
- 4,053,099 A * 10/1977 Lock B65D 71/72
206/562
- 4,787,509 A * 11/1988 Pasternicki B65D 71/16
206/427
- 5,415,278 A * 5/1995 Sutherland B65D 71/46
206/148
- 5,540,334 A * 7/1996 Haas B65D 25/108
206/446
- 5,551,566 A * 9/1996 Sutherland B65D 71/40
206/427
- D382,200 S * 8/1997 Brondyke D9/753
- D382,201 S * 8/1997 Brondyke D9/753
- 5,765,690 A * 6/1998 Baxter B65D 71/72
206/562
- 5,797,486 A * 8/1998 Picciolo B65D 71/48
206/162

- Jul. 25, 2018 (EM) 5514601-0001
- (51) **LOC (12) Cl.** **09-03**
- (52) **U.S. Cl.**
USPC **D9/755**
- (58) **Field of Classification Search**
USPC D9/751, 752, 455, 456, 517, 756, 737;
D3/315; 206/150, 151, 159-161, 199,
206/182, 200, 145, 216, 430, 427;
294/87, 87.2, 158, 159
CPC B65D 71/50; B65D 2571/00444; B65D
67/0224; B65D 2571/0066; A45F
220/0583; B65B 17/025; B65B 61/16;
Y02W 90/13; A47G 23/0266; A47G
23/0208; D21J 3/02
See application file for complete search history.

- (56) **References Cited**
U.S. PATENT DOCUMENTS
2,761,785 A * 9/1956 Steger B65D 71/16
426/119
3,764,001 A * 10/1973 Graser B65D 71/48
206/148

(Continued)

Primary Examiner — W. A. Teddy Falloway
(74) *Attorney, Agent, or Firm* — Egbert Law Offices,
PLLC

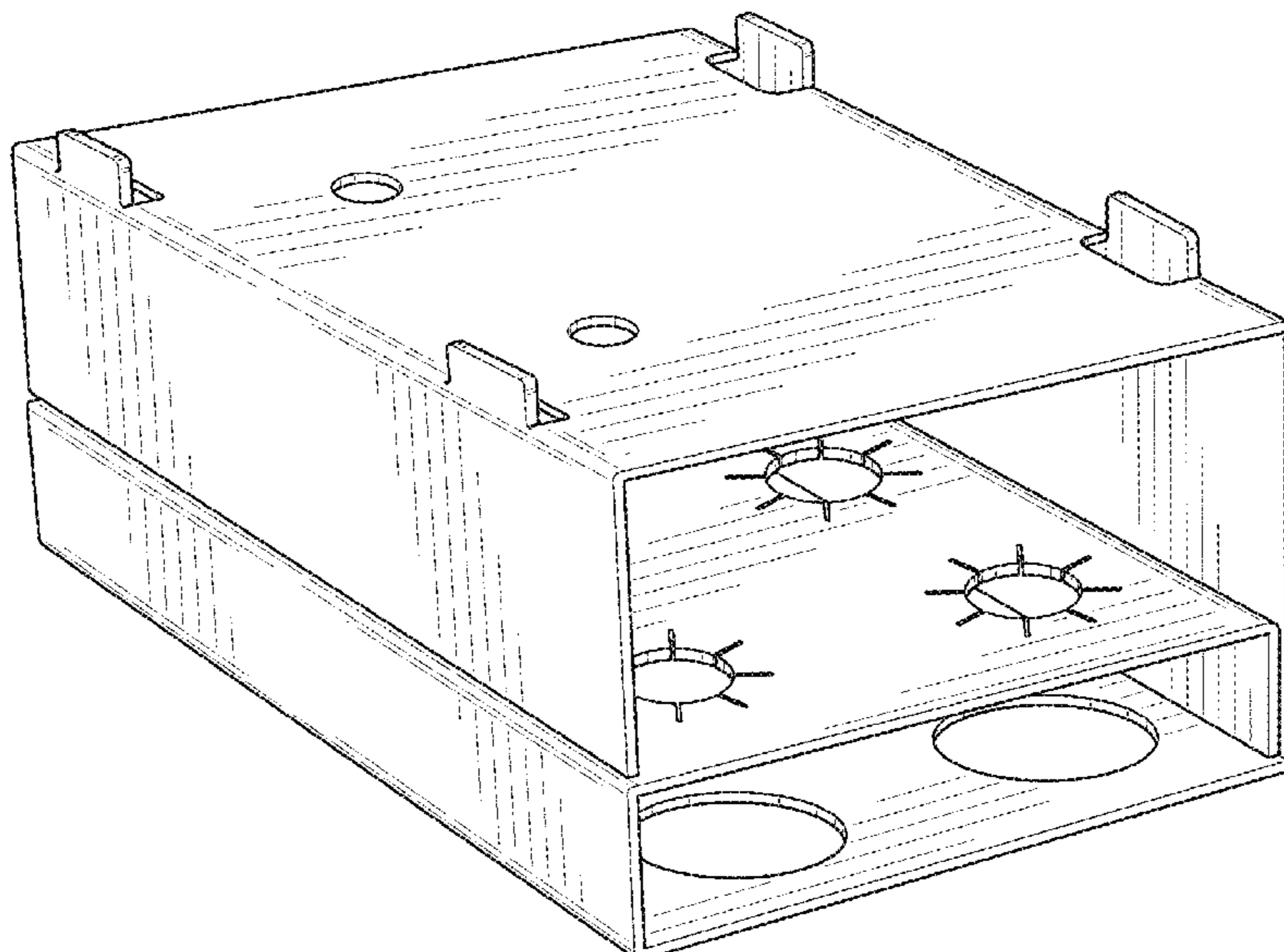
(57) **CLAIM**

The ornamental design for a packaging for bottles, as shown and described.

DESCRIPTION

FIG. 1 is a right side perspective view of a packaging for bottles showing my new design.
FIG. 2 is a left side view thereof;
FIG. 3 is a right side view thereof;
FIG. 4 is a rear view thereof;
FIG. 5 is a front view thereof;
FIG. 6 is a top view thereof;
FIG. 7 is a bottom view thereof; and,
FIG. 8 is a left side perspective view thereof.

1 Claim, 3 Drawing Sheets



(56)

References Cited

U.S. PATENT DOCUMENTS

5,803,264 A * 9/1998 Gersten B65D 71/004
 206/194
 D414,991 S * 10/1999 Brown D7/701
 6,059,099 A * 5/2000 Galbierz B65D 71/42
 206/151
 6,202,836 B1 * 3/2001 Picciolo B65D 71/48
 206/162
 D513,596 S * 1/2006 Hamblin D24/230
 D515,941 S * 2/2006 Hamblin D24/230
 D515,942 S * 2/2006 Hamblin D24/230
 D515,943 S * 2/2006 Hamblin D24/230
 7,850,004 B2 * 12/2010 Picciolo B65D 71/004
 206/162
 D639,679 S * 6/2011 Kissner D9/739
 D667,305 S * 9/2012 Kuhn B65D 71/14
 D9/455
 D697,433 S * 1/2014 Pong D9/432
 D705,618 S * 5/2014 Reid, Jr. D7/701
 D807,129 S * 1/2018 Martinez D7/701
 D871,924 S * 1/2020 Vanderwell D9/755
 D873,677 S * 1/2020 Miskin D9/761
 2006/0278559 A1 * 12/2006 Hamblin B65D 71/72
 206/562
 2011/0226635 A1 * 9/2011 Boiteau A47G 23/0641
 206/139
 2014/0008250 A1 * 1/2014 Picciolo B65D 71/004
 206/141
 2019/0177031 A1 * 6/2019 Vanderwell B42D 5/047

* cited by examiner

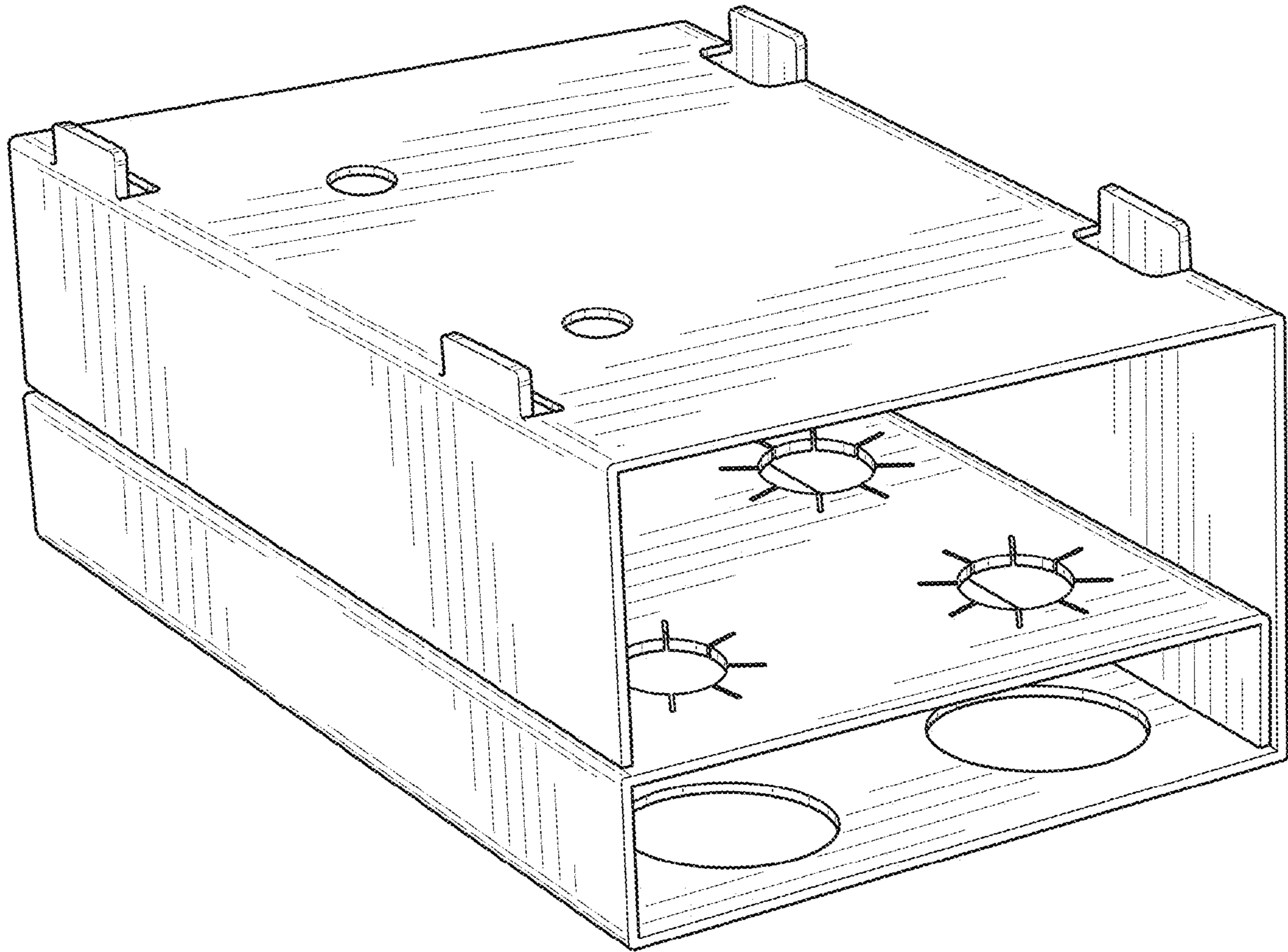


FIG. 1

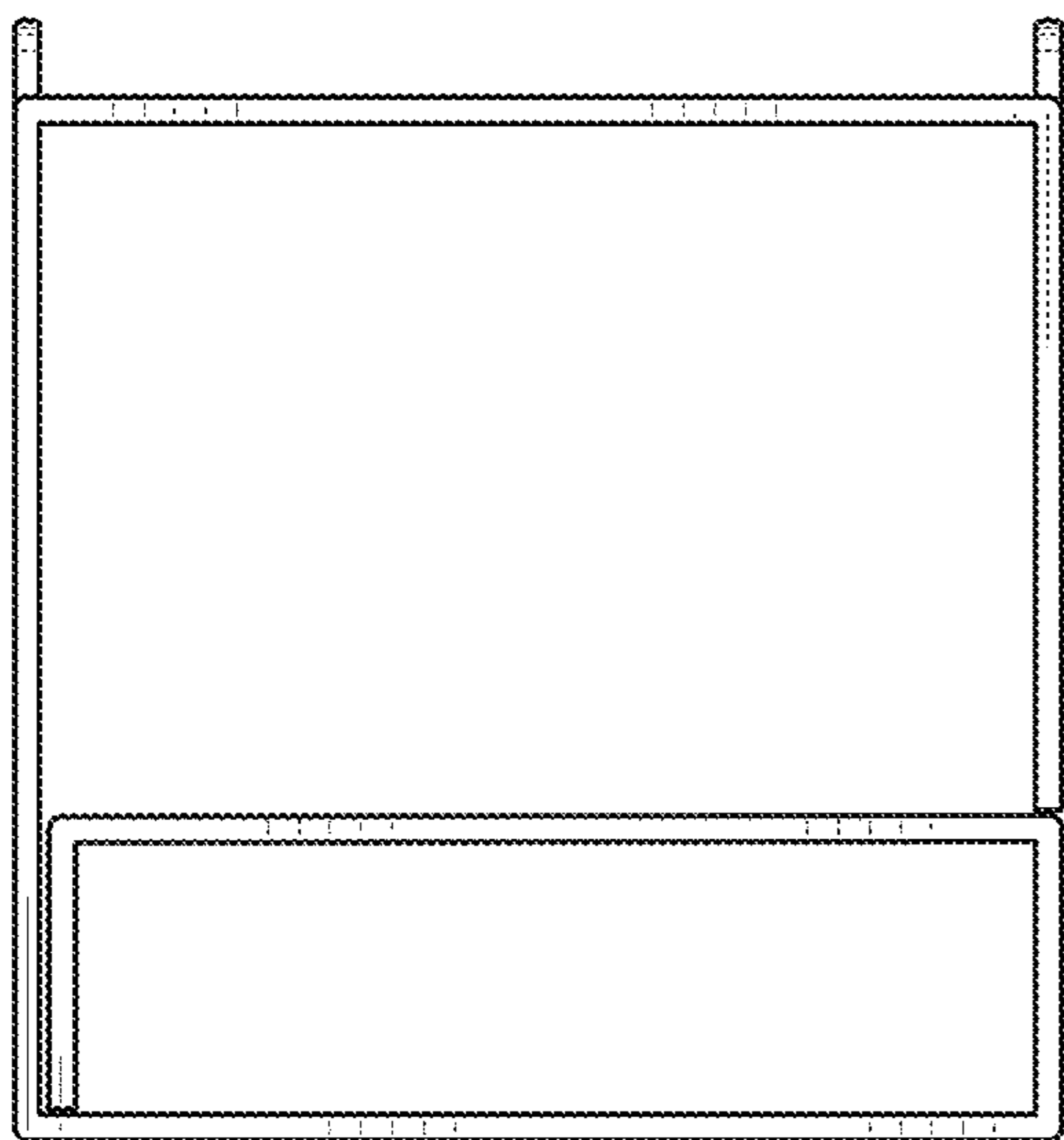


FIG. 2

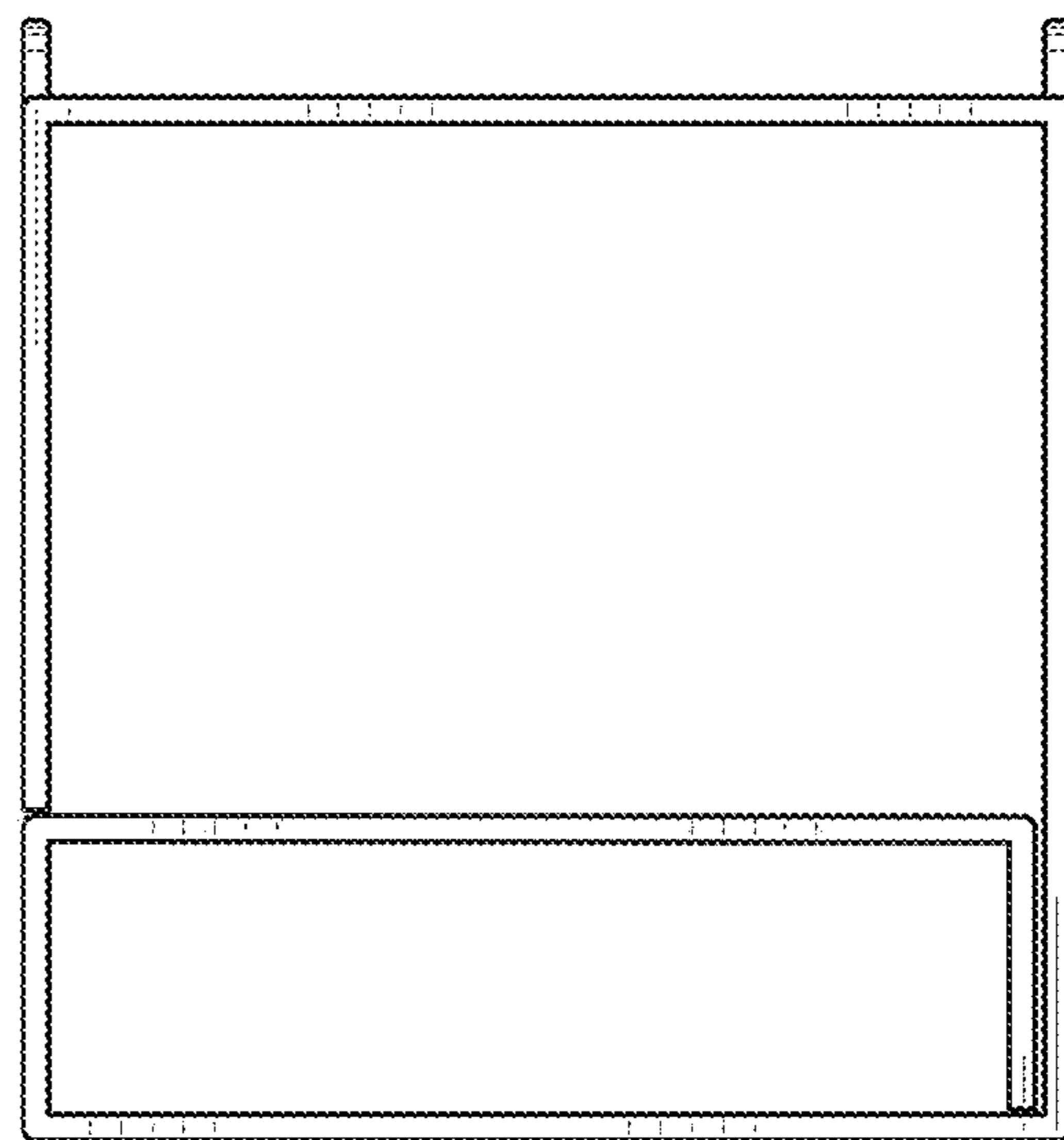


FIG. 3

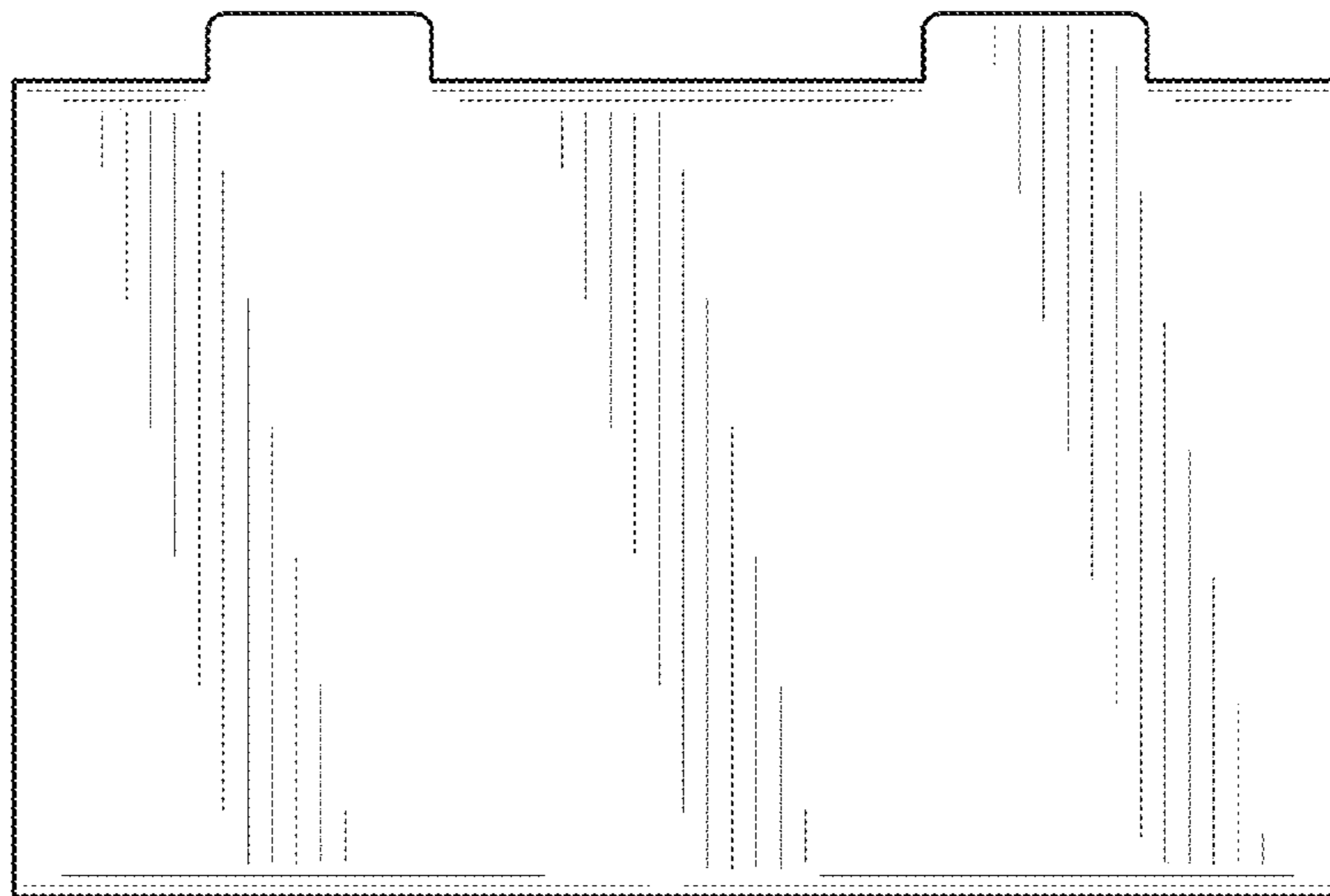


FIG. 4

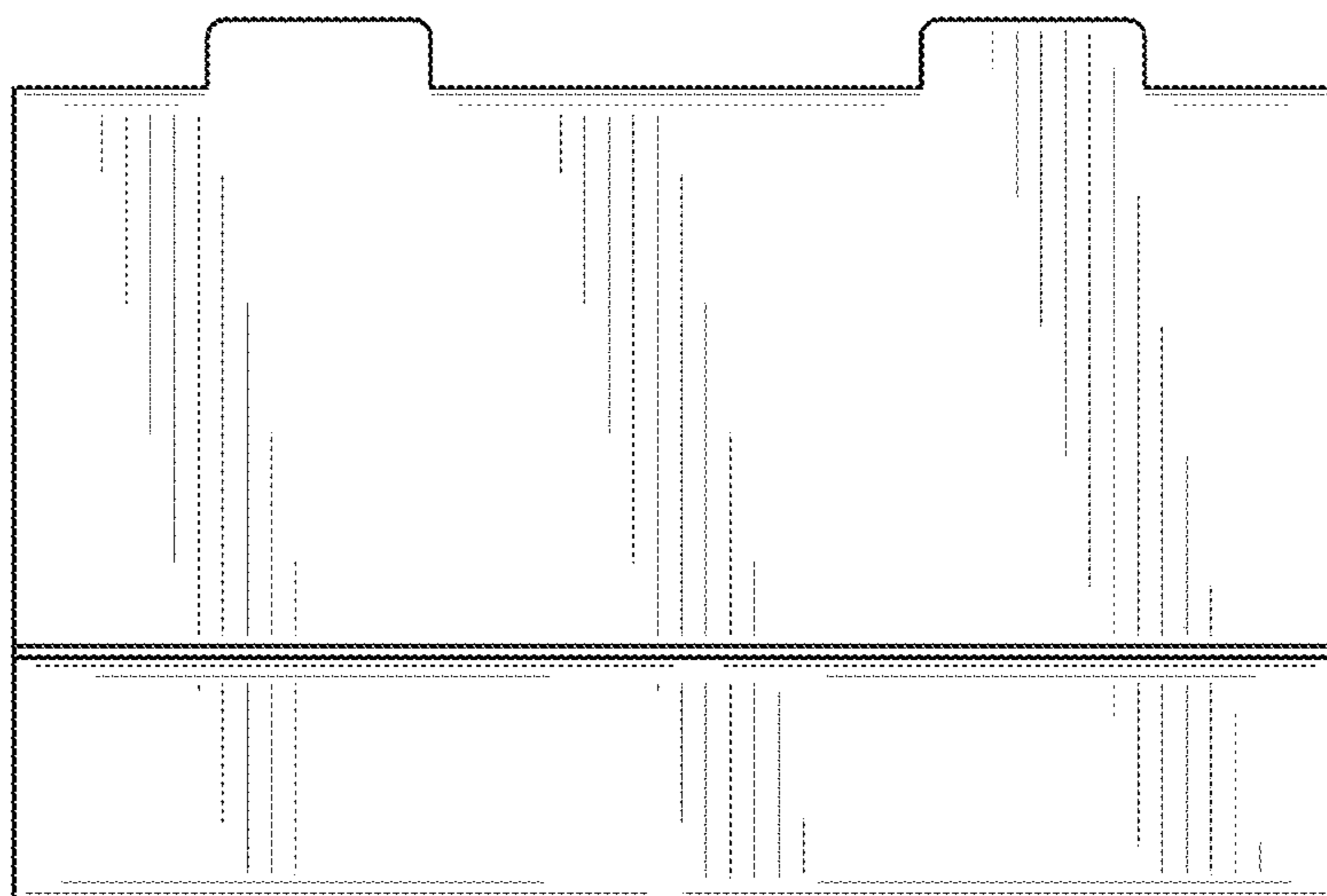


FIG. 5

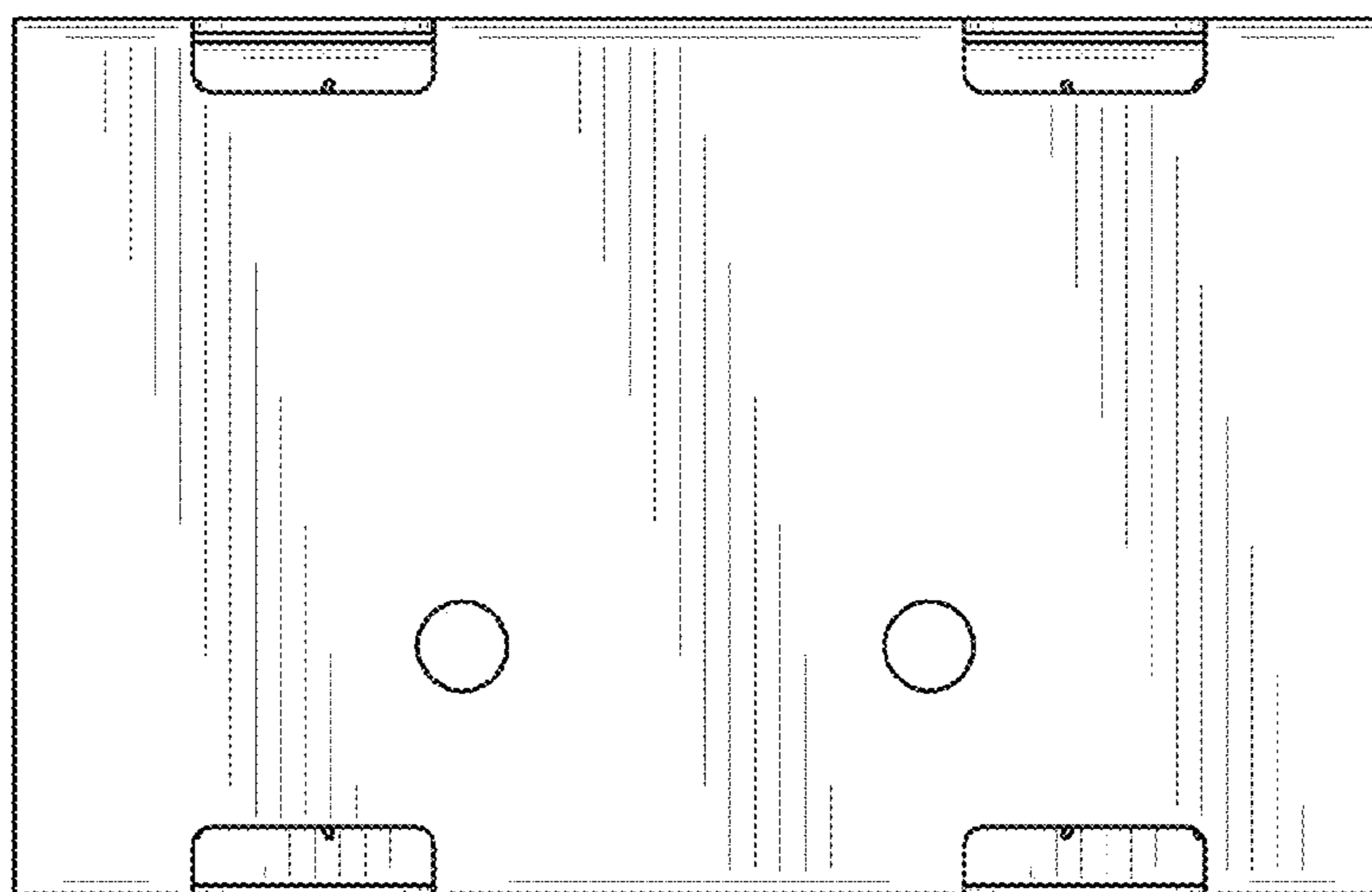


FIG. 6

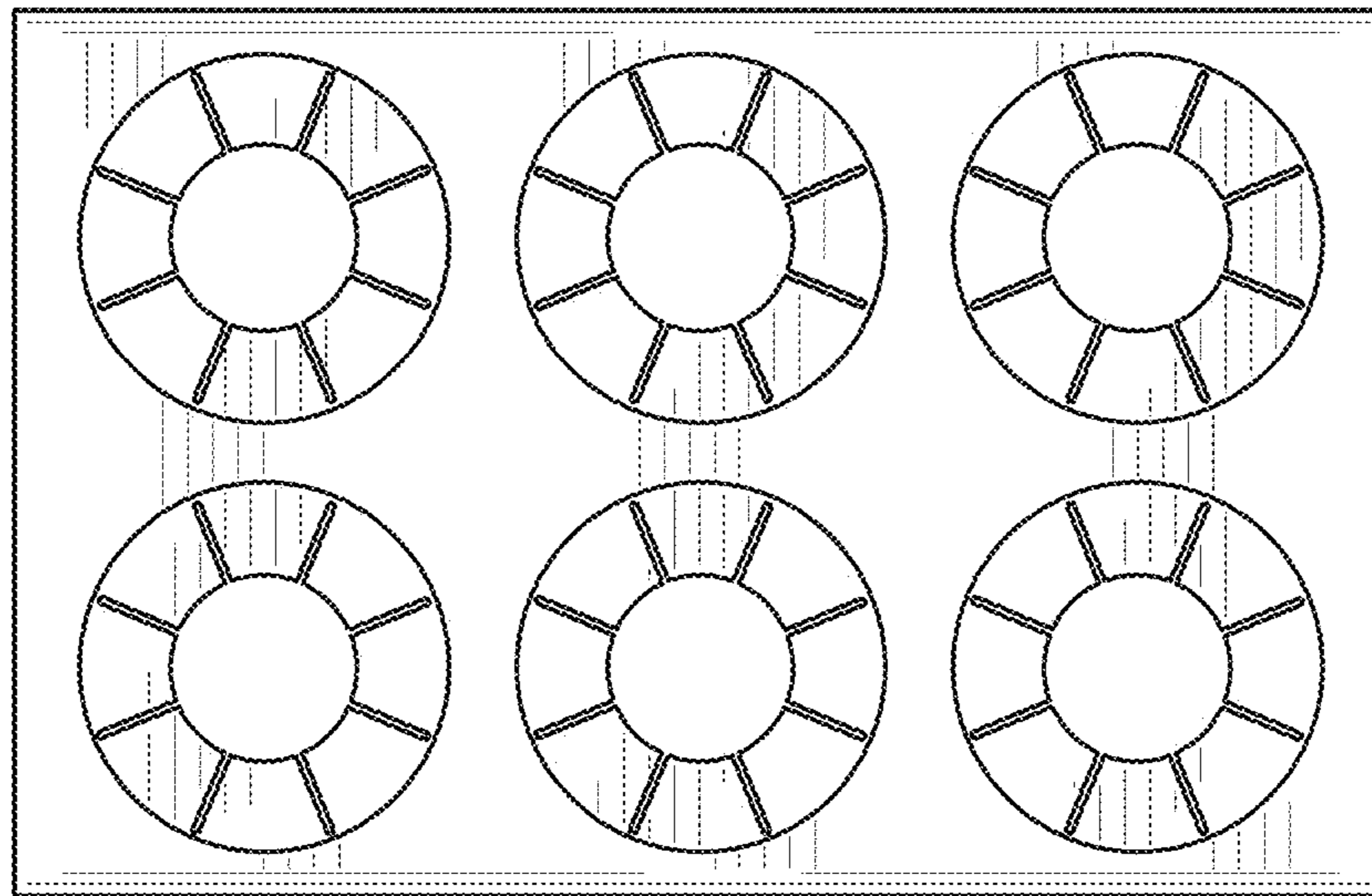


FIG. 7

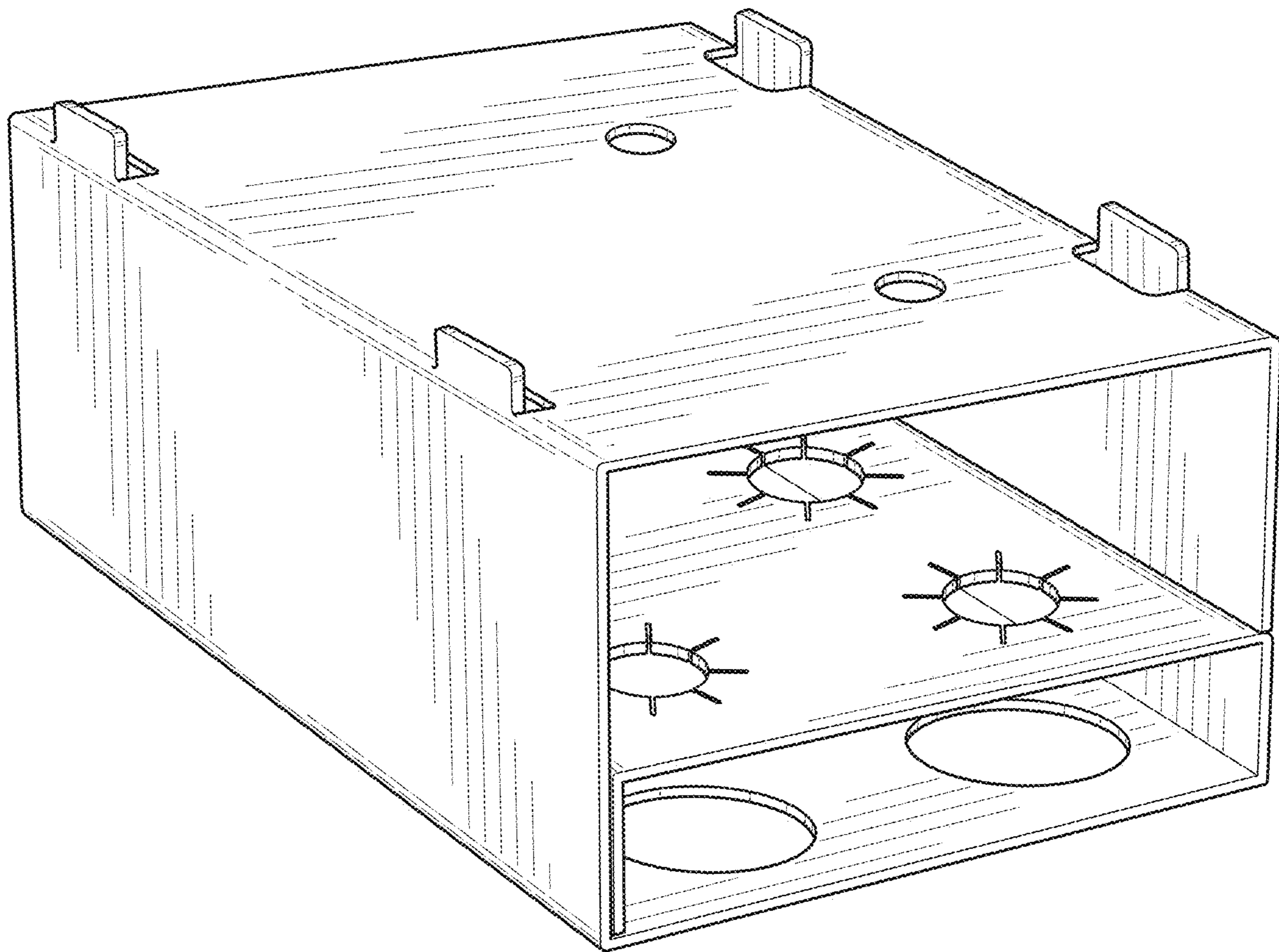


FIG. 8