



US00D881020S

(12) **United States Design Patent** (10) **Patent No.:** **US D881,020 S**  
**Venables** (45) **Date of Patent:** **\*\* Apr. 14, 2020**

(54) **BOTTLE WITH REMOVABLE PIN**

(71) Applicant: **World Tour Enterprises, Ltd.**,  
Farmingdale, NJ (US)

(72) Inventor: **Brian Venables**, Farmingdale, NJ (US)

(73) Assignee: **WORLD TOUR ENTERPRISES, LTD.**, Farmingdale, NJ (US)

(\*\*) Term: **15 Years**

(21) Appl. No.: **29/695,836**

(22) Filed: **Jun. 21, 2019**

(51) **LOC (12) Cl.** ..... **09-03**

(52) **U.S. Cl.**  
USPC ..... **D9/719**

(58) **Field of Classification Search**  
 USPC ..... D9/516, 517, 548, 550, 559, 563, 564,  
 D9/668, 682, 719; D28/91.1; D11/220  
 CPC ..... Y10T 24/4605; Y10T 24/3467; B65D  
 23/102; B65D 2501/0081; B65D 23/14;  
 B65D 25/54

See application file for complete search history.

(56) **References Cited**

**U.S. PATENT DOCUMENTS**

215,043 A	5/1879	Brooks	
D35,668 S	2/1902	Taussig	
D74,732 S	12/1927	Frailey	
D96,885 S	6/1935	Ahrens	
D98,172 S	9/1935	Levine	
D99,409 S	2/1936	Meyer	
D105,540 S	8/1937	Smith	
D129,163 S	8/1941	Fuerst	
D189,698 S *	1/1961	Du Pree	D9/564
D278,370 S *	4/1985	Speitel	D28/5
D311,653 S *	10/1990	Lindauer	D6/542

5,245,844 A \* 9/1993 Panzer ..... A44C 3/008  
63/1.16

D341,323 S 11/1993 Cazaudehore  
D361,938 S 9/1995 Sawa

(Continued)

*Primary Examiner* — Lauren R Calve

(74) *Attorney, Agent, or Firm* — Hodgson Russ LLP

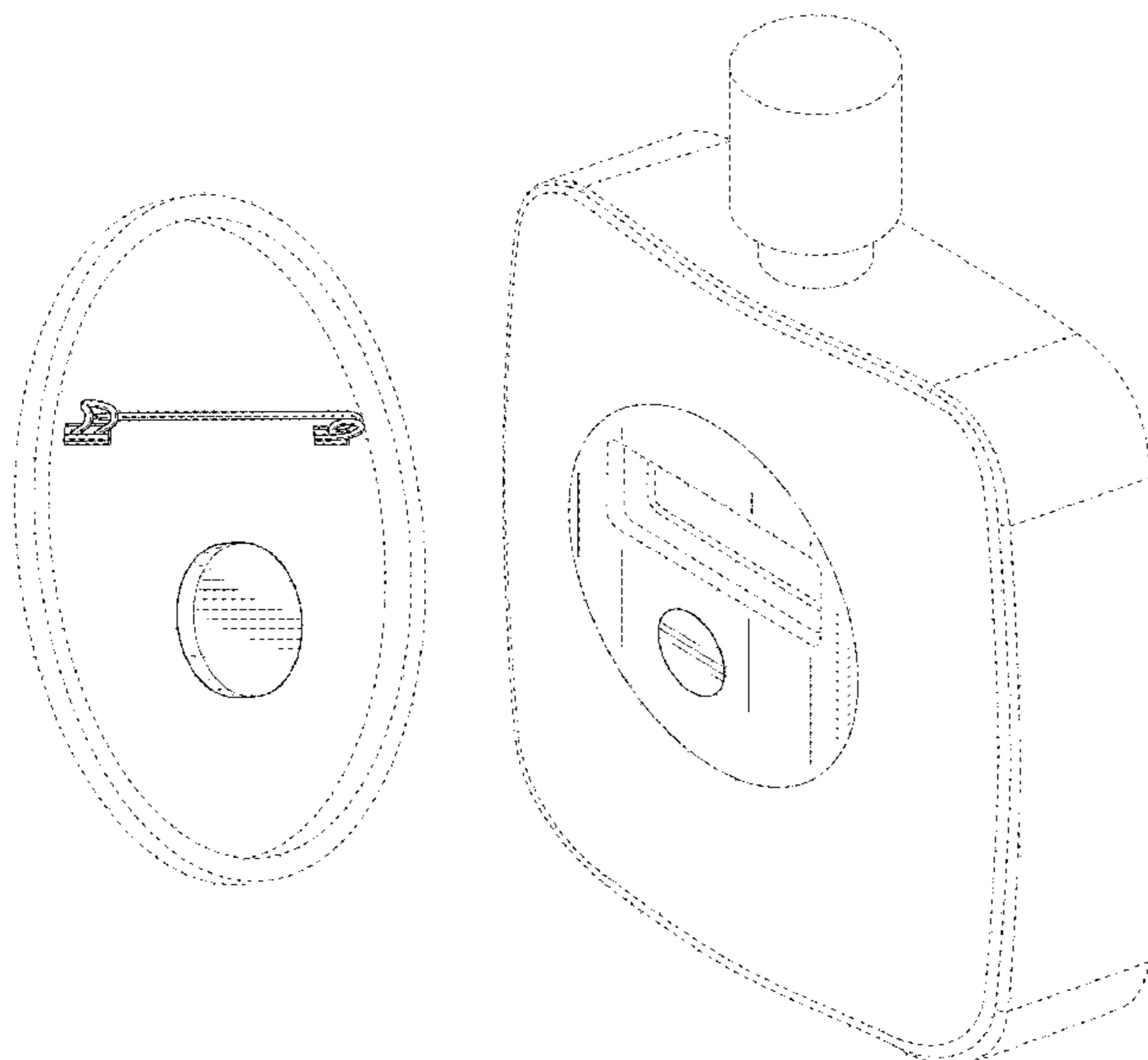
(57) **CLAIM**

The ornamental design for a bottle with removable pin, as shown and described.

**DESCRIPTION**

FIG. 1 is a front perspective view of a bottle with removable pin, showing my new design, the pin being shown separate from the bottle for ease of illustration;  
 FIG. 2 is a rear perspective view thereof;  
 FIG. 3 is a front elevation view thereof;  
 FIG. 4 is rear elevation view thereof;  
 FIG. 5 is a left side elevation view thereof;  
 FIG. 6 is a right side elevation view thereof;  
 FIG. 7 is a top plan view thereof;  
 FIG. 8 is a bottom plan view thereof;  
 FIG. 9 is a front perspective view of the bottle with removable pin, showing my new design, the bottle being shown separate from the pin for ease of illustration;  
 FIG. 10 is a front elevation view thereof, the rear view being omitted as not showing any claimed elements;  
 FIG. 11 is a top plan view thereof;  
 FIG. 12 is a bottom plan view thereof;  
 FIG. 13 is a right side elevation view thereof;  
 FIG. 14 is a sectional view thereof, taken along line 14-14 of FIG. 10; and,  
 FIG. 15 is a front perspective view of the bottle with removable pin, showing the pin attached to the bottle.  
 The evenly-spaced dashed lines in the figures illustrate portions of the bottle with removable pin that form no part of the claimed design. The long dash-short dash lines represent an unclaimed boundary of the claimed design.  
 The scale of FIGS. 1-8 are enlarged for clarity of illustration.

**1 Claim, 9 Drawing Sheets**



(56)

References Cited

U.S. PATENT DOCUMENTS

D369,555 S 5/1996 Heinz  
 D386,673 S 11/1997 Thompson  
 5,732,451 A 3/1998 Mars  
 D399,755 S 10/1998 Daraut  
 D408,741 S 4/1999 Mohary  
 D426,491 S \* 6/2000 Chan ..... D11/220  
 D430,483 S \* 9/2000 Wah ..... D11/220  
 D447,062 S 8/2001 Cheng  
 D450,625 S 11/2001 Khromachou  
 D479,133 S \* 9/2003 Quintero ..... D9/551  
 6,808,090 B2 \* 10/2004 Pedersen ..... B65D 25/22  
 215/399  
 D498,665 S 11/2004 Mansau  
 D500,249 S 12/2004 Duboeuf  
 6,962,272 B2 \* 11/2005 LeBlond ..... A47K 5/12  
 215/399  
 D515,930 S 2/2006 Steih  
 D548,108 S \* 8/2007 Lo ..... D21/402  
 D555,496 S \* 11/2007 Osgerby ..... D9/551  
 D591,605 S 5/2009 Ungrady  
 D609,103 S 2/2010 Marold  
 D617,644 S 6/2010 Leventhal  
 D629,696 S 12/2010 Pedmo  
 D630,520 S 1/2011 Yu

D631,364 S 1/2011 Da Vinci  
 D639,678 S \* 6/2011 Herrmann ..... D9/719  
 D649,471 S 11/2011 Guglielmo  
 D650,690 S 12/2011 Guglielmo  
 D665,304 S \* 8/2012 Takeda ..... D11/220  
 D692,770 S 11/2013 Petronio  
 D738,734 S 9/2015 Cripe  
 D745,408 S 12/2015 Koop  
 D748,489 S \* 2/2016 Ricci ..... D9/562  
 9,433,257 B2 \* 9/2016 Taetzsch ..... A44B 1/04  
 D784,150 S 4/2017 Dumas  
 D792,781 S 7/2017 Shaver  
 D795,699 S 8/2017 Vivas  
 D813,048 S 3/2018 Hamel  
 D814,306 S \* 4/2018 Cukman ..... D9/551  
 D815,539 S 4/2018 Cheloni  
 D825,338 S 8/2018 Manley  
 10,136,704 B2 \* 11/2018 Garnighian ..... A44B 1/28  
 D835,513 S 12/2018 Robin-Prevallee  
 D837,096 S \* 1/2019 Venables ..... D11/220  
 D840,240 S 2/2019 McCoy  
 2005/0230023 A1 10/2005 Hunter  
 2008/0035602 A1 \* 2/2008 Gooden ..... B29C 45/006  
 215/383  
 2015/0201712 A1 7/2015 Keller  
 2018/0064193 A1 3/2018 Curtis

\* cited by examiner

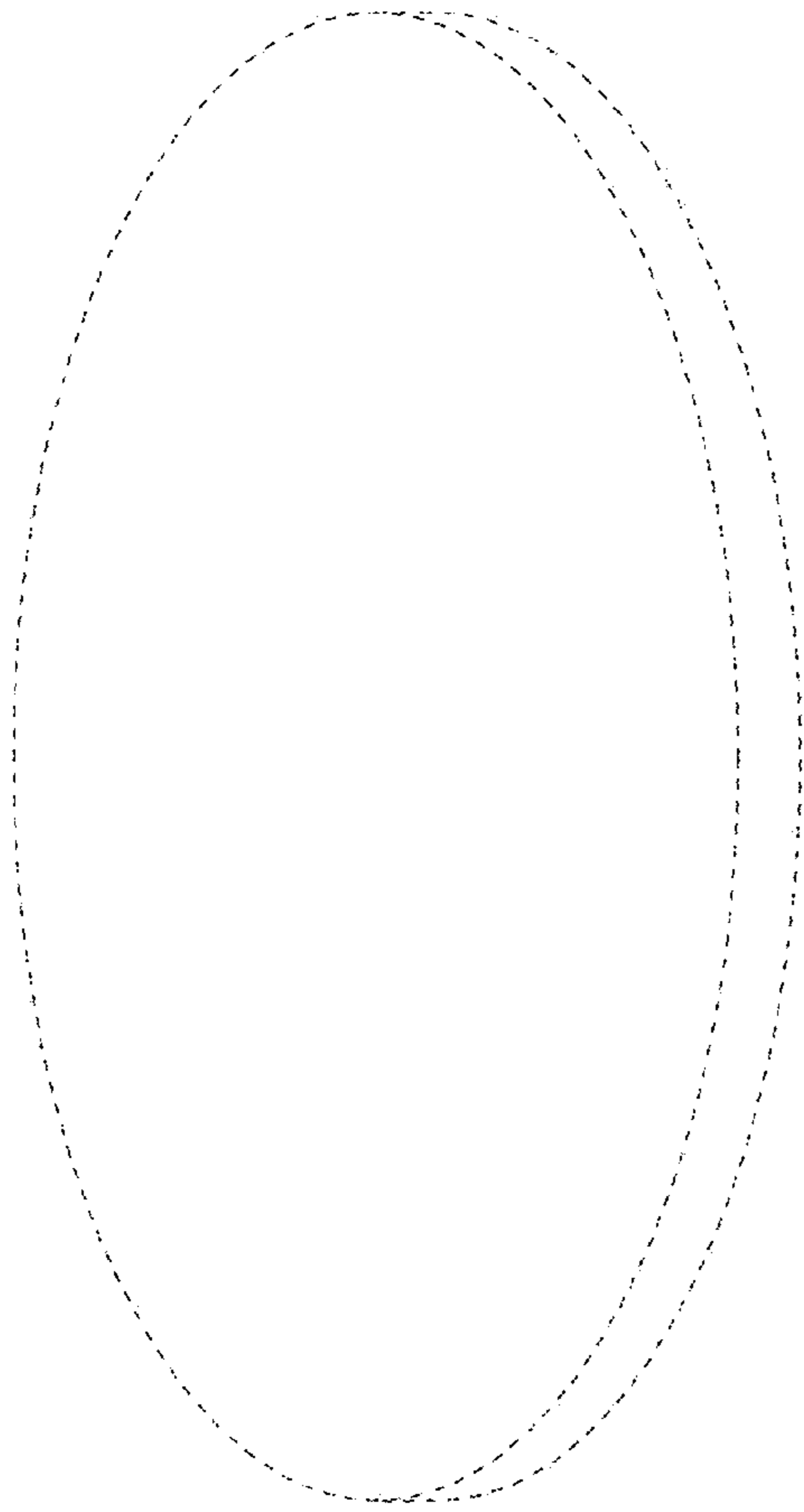


FIG. 1

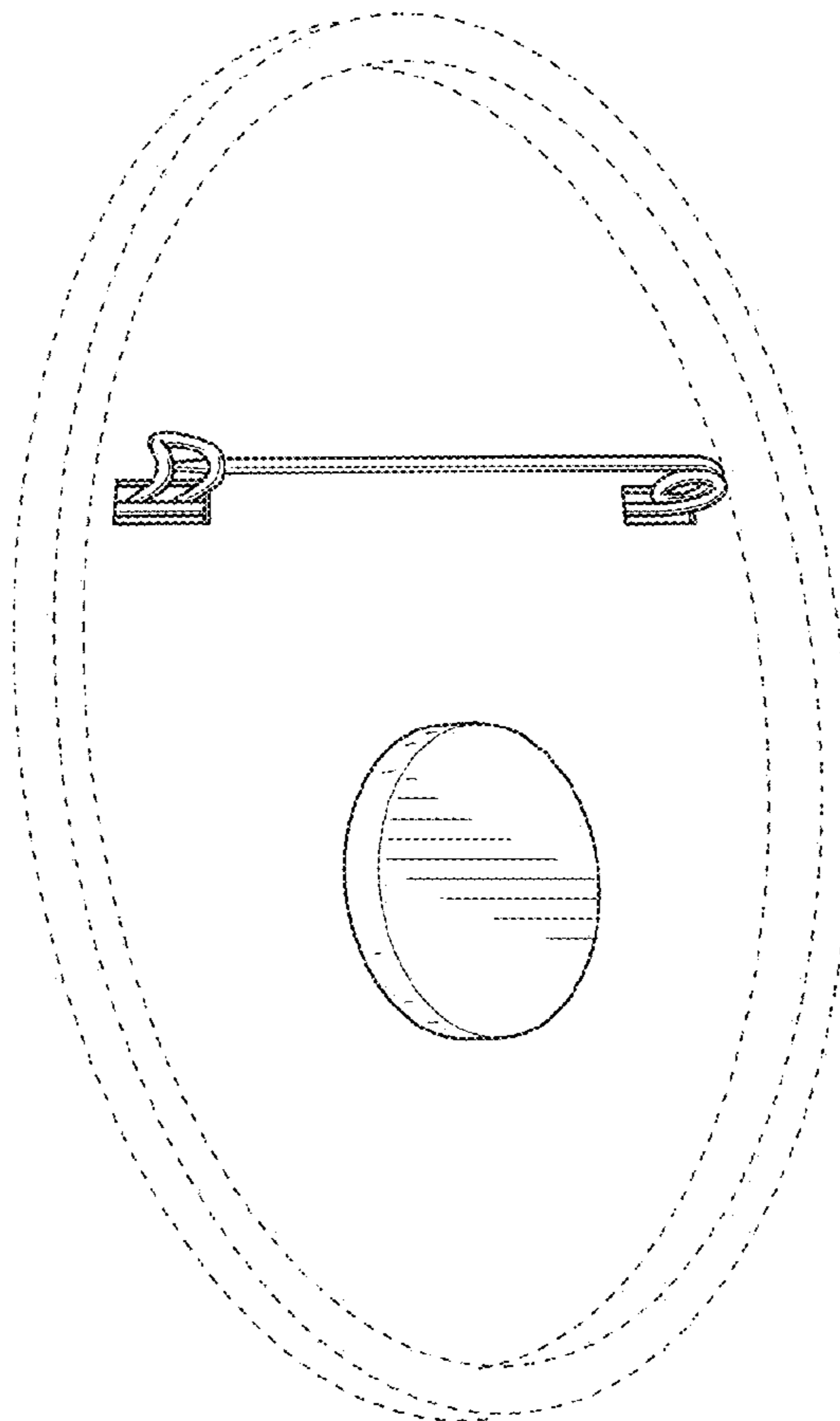


FIG. 2

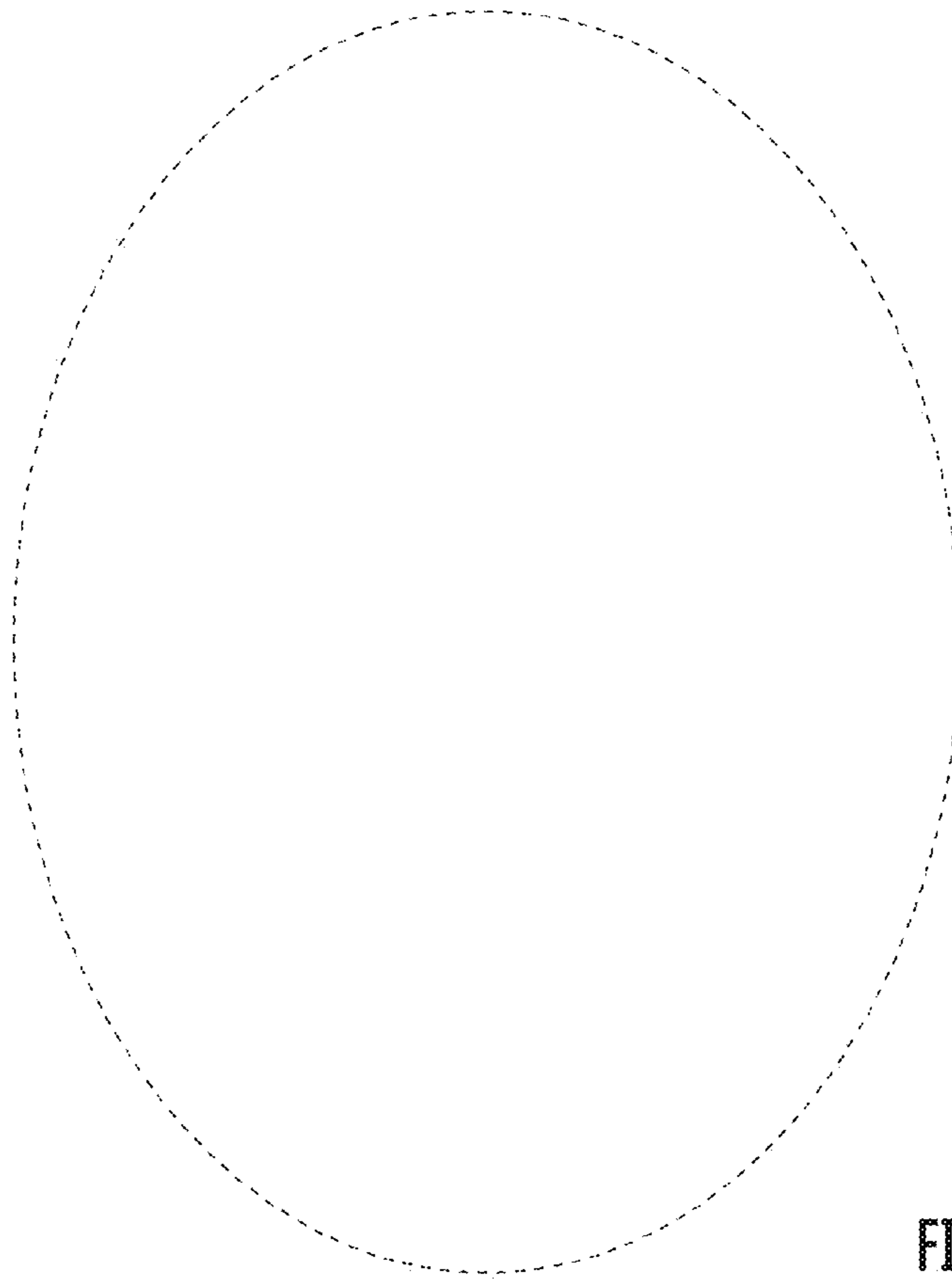


FIG. 3

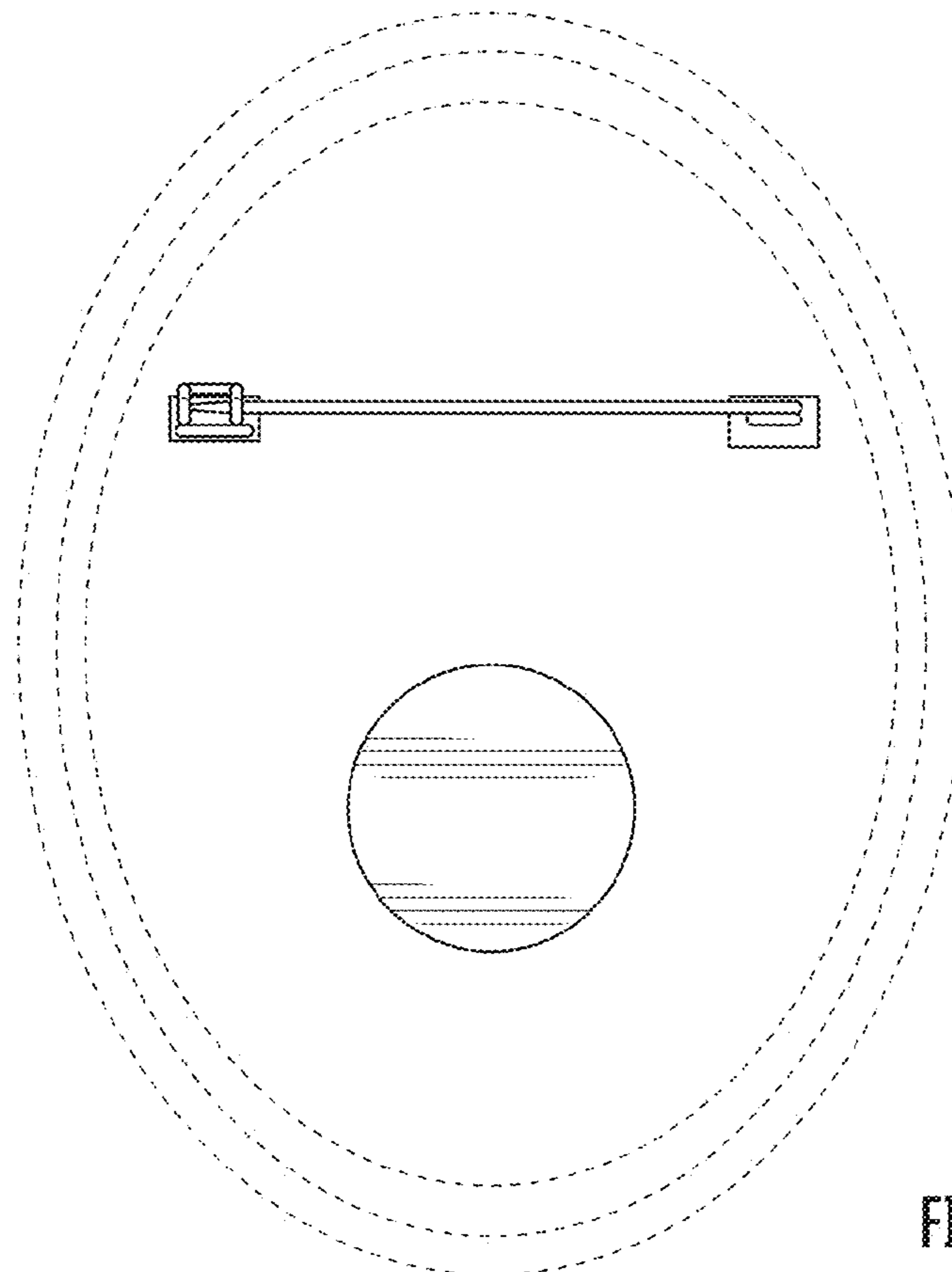


FIG. 4

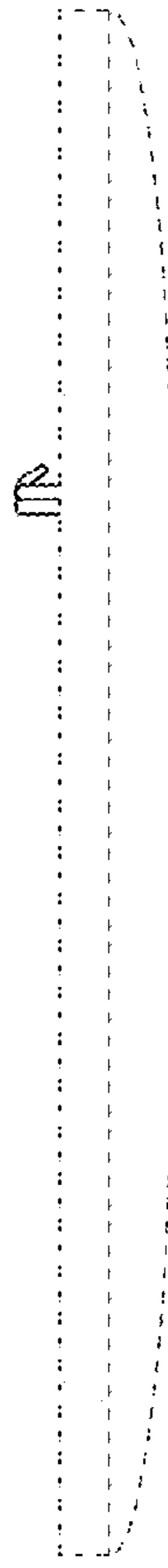


FIG. 5

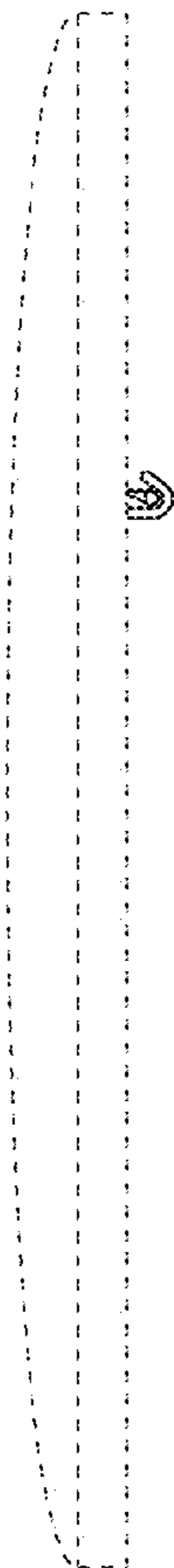


FIG. 6

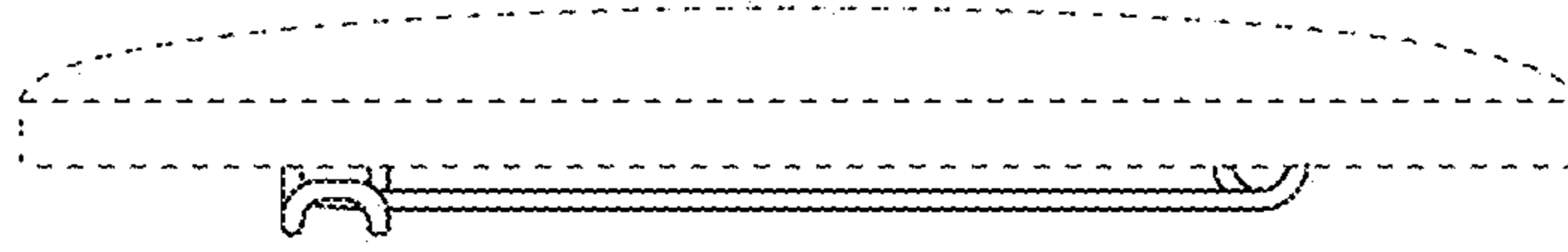


FIG. 7

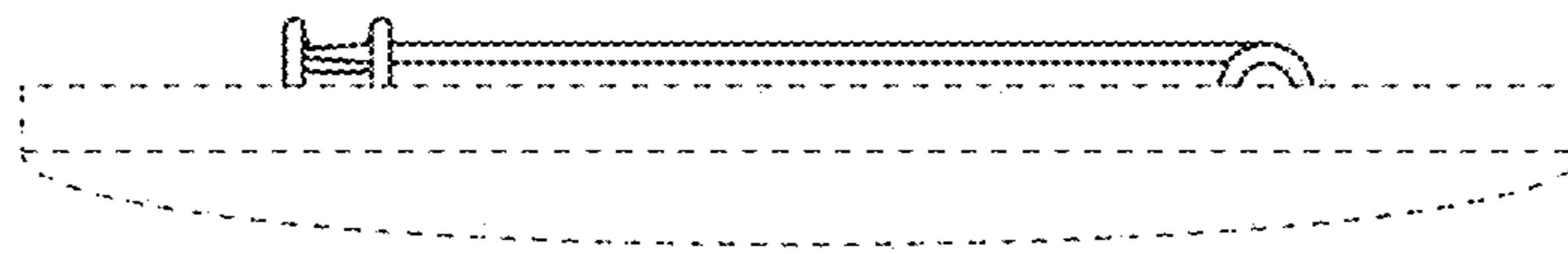


FIG. 8

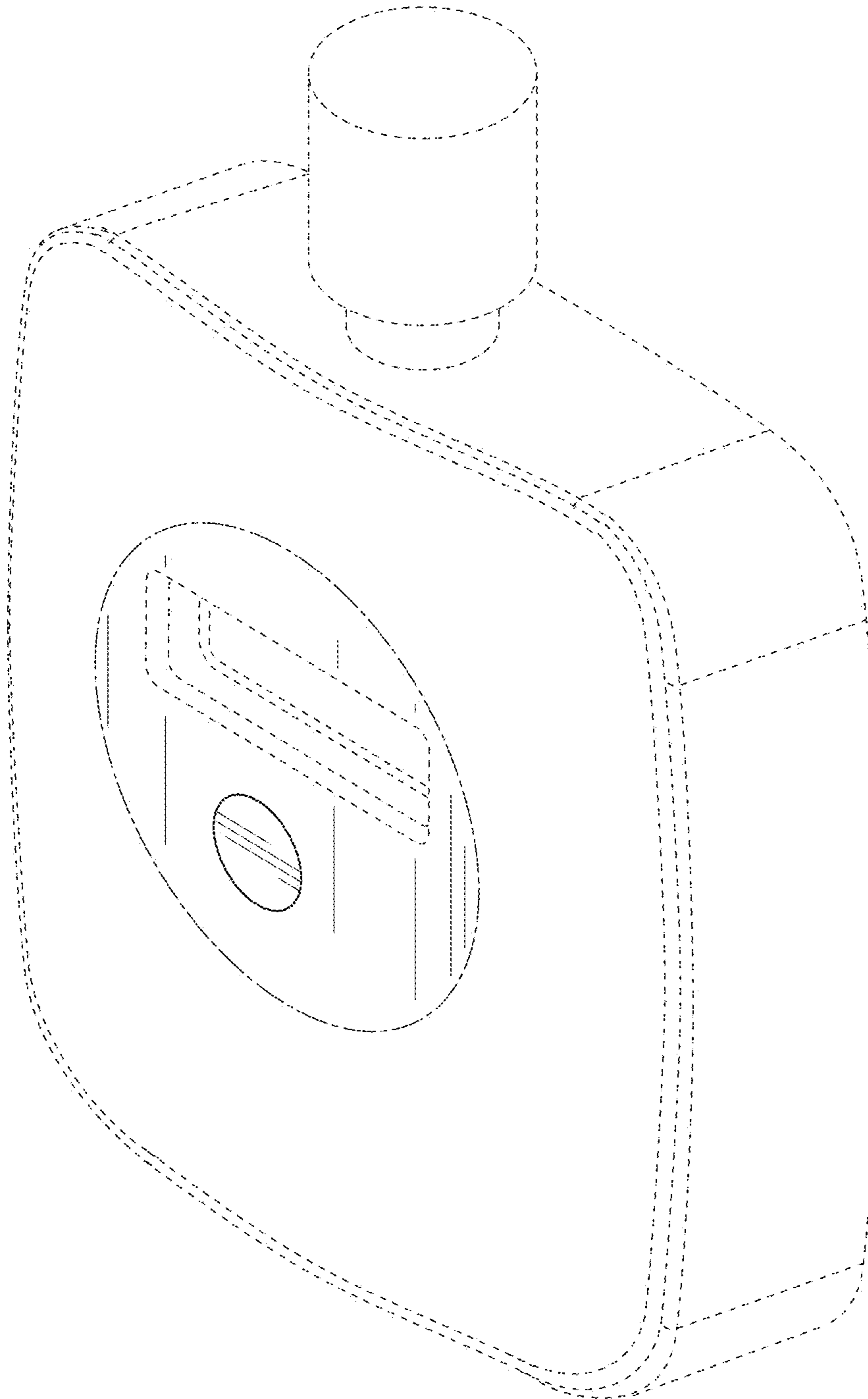


FIG. 9

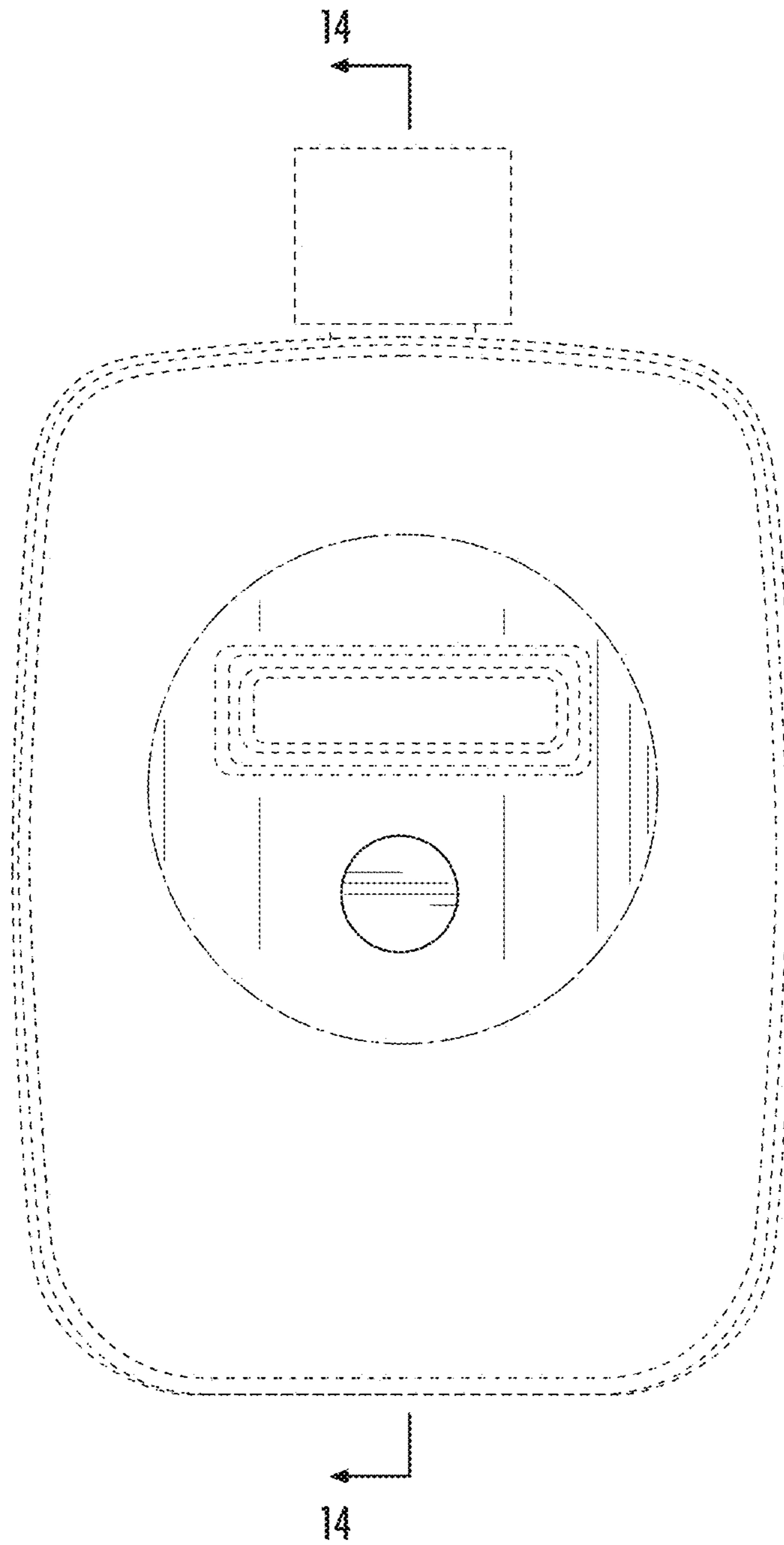


FIG. 10



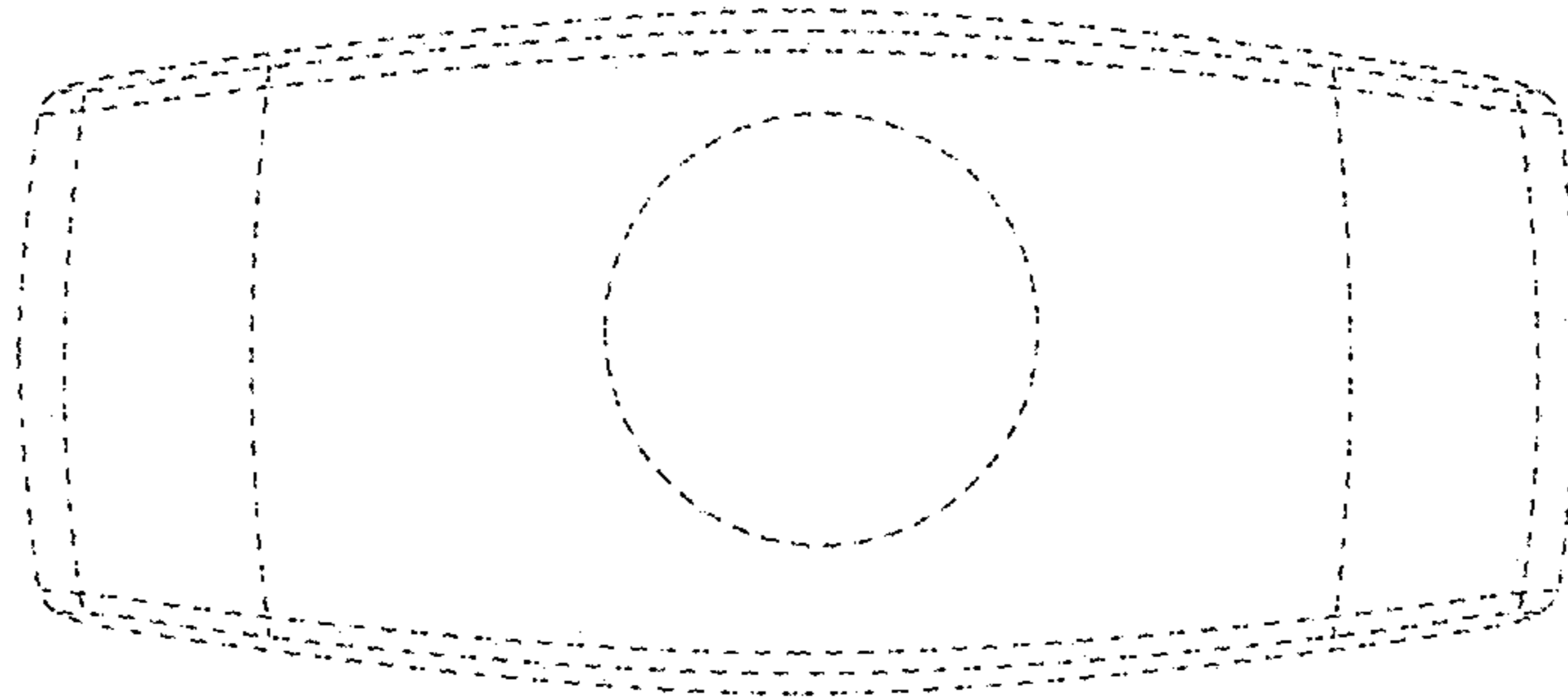


FIG. 11

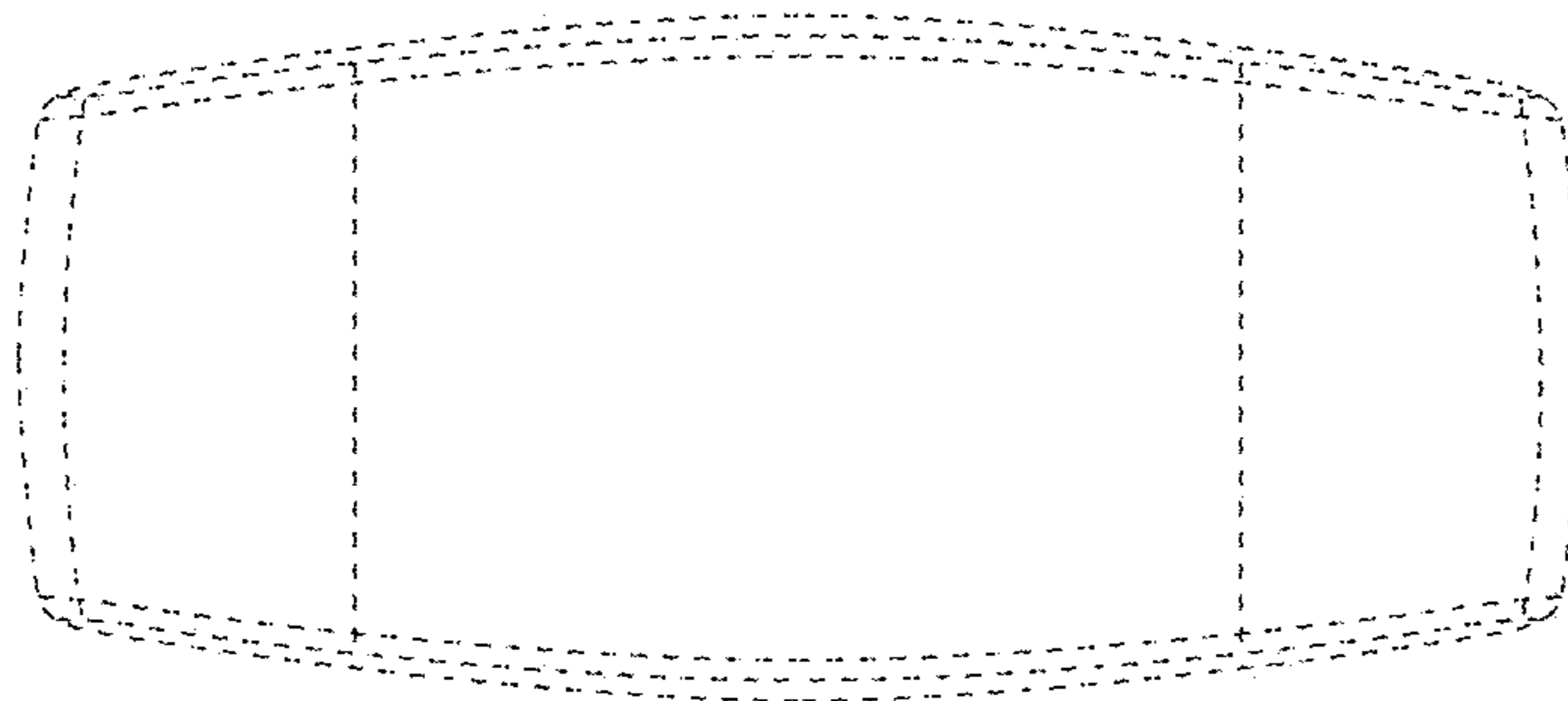


FIG. 12

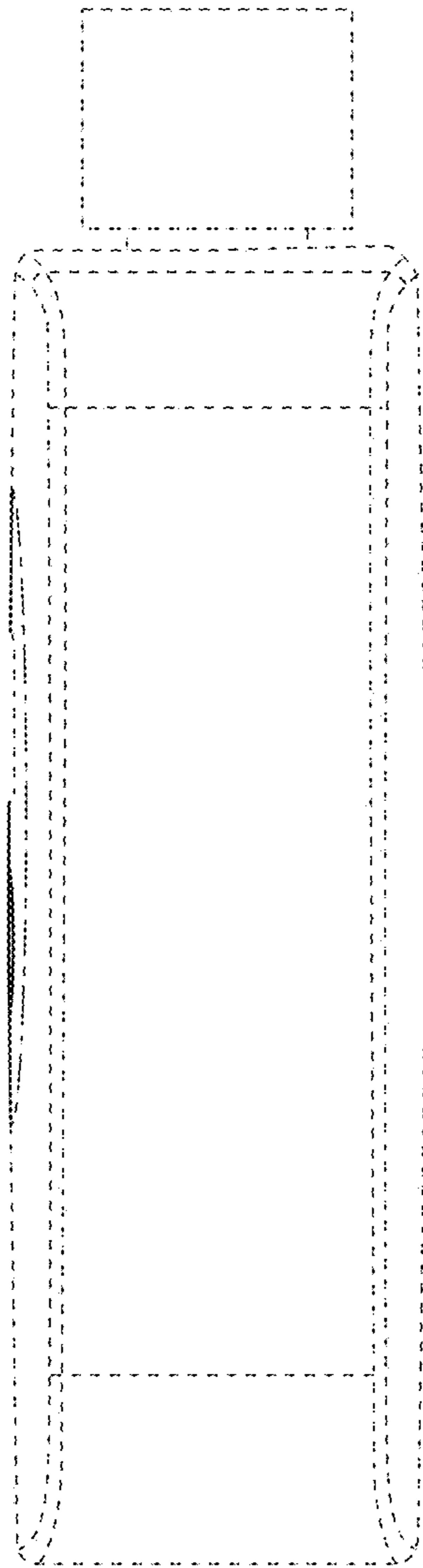


FIG. 13

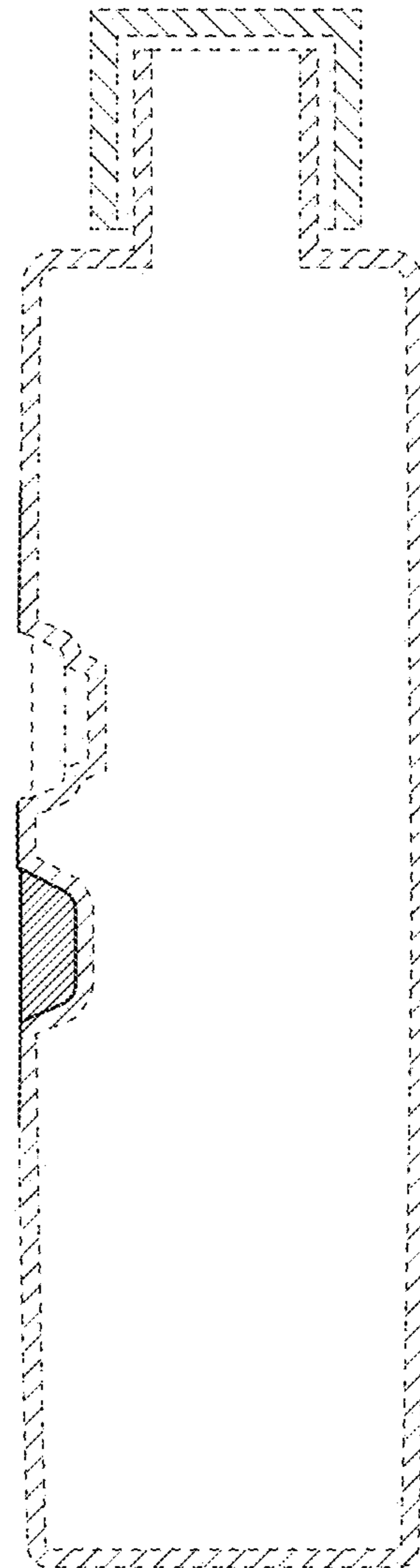


FIG. 14

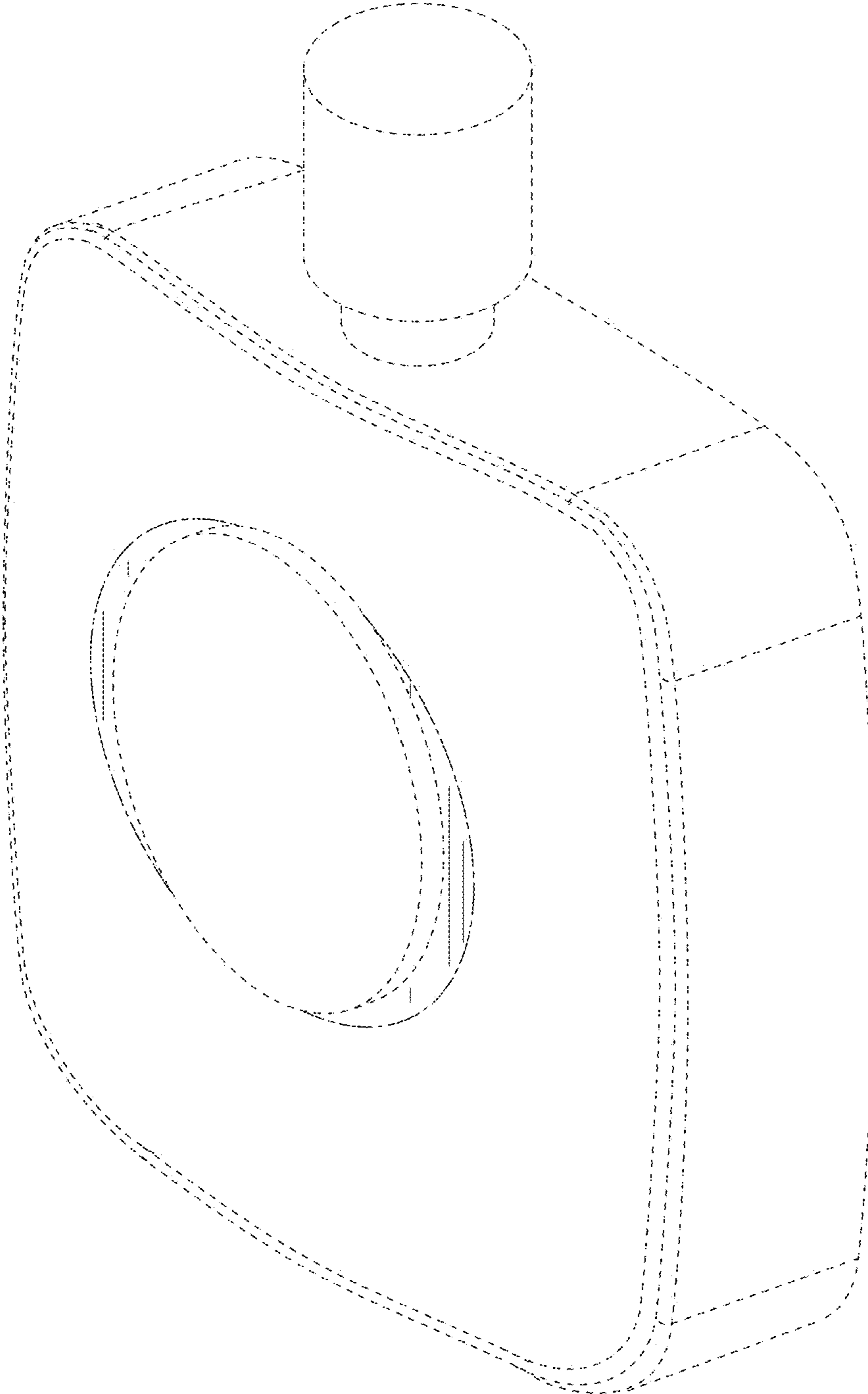


FIG. 15