



US00D881015S

(12) **United States Design Patent**  
**Thibodeau**

(10) **Patent No.:** **US D881,015 S**

(45) **Date of Patent:** **\*\* Apr. 14, 2020**

(54) **BOTTLE**

(71) Applicant: **DT Inventions**, Houston, TX (US)

(72) Inventor: **James Alfred Thibodeau**, Gahanna, OH (US)

(73) Assignee: **DT Inventions**, Houston, TX (US)

(\*\*) Term: **15 Years**

(21) Appl. No.: **29/609,162**

(22) Filed: **Jun. 28, 2017**

(51) **LOC (12) Cl.** ..... **09-01**

(52) **U.S. Cl.**  
USPC ..... **D9/531; D9/560; D9/575**

(58) **Field of Classification Search**  
USPC ..... D9/434, 436, 440, 445, 447, 449, 453,  
D9/454, 516, 528, 531, 540-543, 558,  
D9/715, 719, 560, 575  
CPC .... B65D 1/023; B65D 41/0442; B65D 23/10;  
B65D 23/104; B65D 25/2897

See application file for complete search history.

(56) **References Cited**

**U.S. PATENT DOCUMENTS**

D415,035 S	*	10/1999	Ankney	.....	D9/531
D449,993 S	*	11/2001	Schumann	.....	D9/434
D511,462 S	*	11/2005	Haley	.....	D9/531
D512,320 S	*	12/2005	Haley	.....	D9/531
D580,768 S	*	11/2008	Ferguson	.....	D9/528
D599,210 S	*	9/2009	Caldwell	.....	D9/523
D604,623 S	*	11/2009	Baker, III	.....	D9/531
D623,955 S	*	9/2010	Lembke	.....	D9/531
D653,114 S	*	1/2012	Rivera	.....	D9/531
D655,175 S	*	3/2012	Young	.....	D9/516

D662,421 S	*	6/2012	Dorn	.....	D9/531
D668,957 S	*	10/2012	Kallenbach	.....	D9/435
D678,774 S	*	3/2013	Lobbestael	.....	D9/531
D685,641 S	*	7/2013	Tomkins	.....	D9/528
D733,566 S	*	7/2015	Lobbestael	.....	D9/531
D749,422 S	*	2/2016	Janeczek	.....	D9/531
D756,232 S	*	5/2016	Dunster	.....	D9/531
D762,119 S	*	7/2016	Thibodeau	.....	D9/516
D800,567 S	*	10/2017	Palmer	.....	D9/531

\* cited by examiner

*Primary Examiner* — Shannon W Morgan

*Assistant Examiner* — Keith Frank

(74) *Attorney, Agent, or Firm* — Osha Liang LLP

(57) **CLAIM**

The ornamental design for a bottle, as shown and described.

**DESCRIPTION**

FIG. 1 shows a front elevation view of a bottle showing our new design;

FIG. 2 shows a rear elevation view thereof;

FIG. 3 shows a right-side elevation view thereof;

FIG. 4 shows a left-side elevation view thereof;

FIG. 5 shows a top plan view thereof;

FIG. 6 shows a bottom plan view thereof;

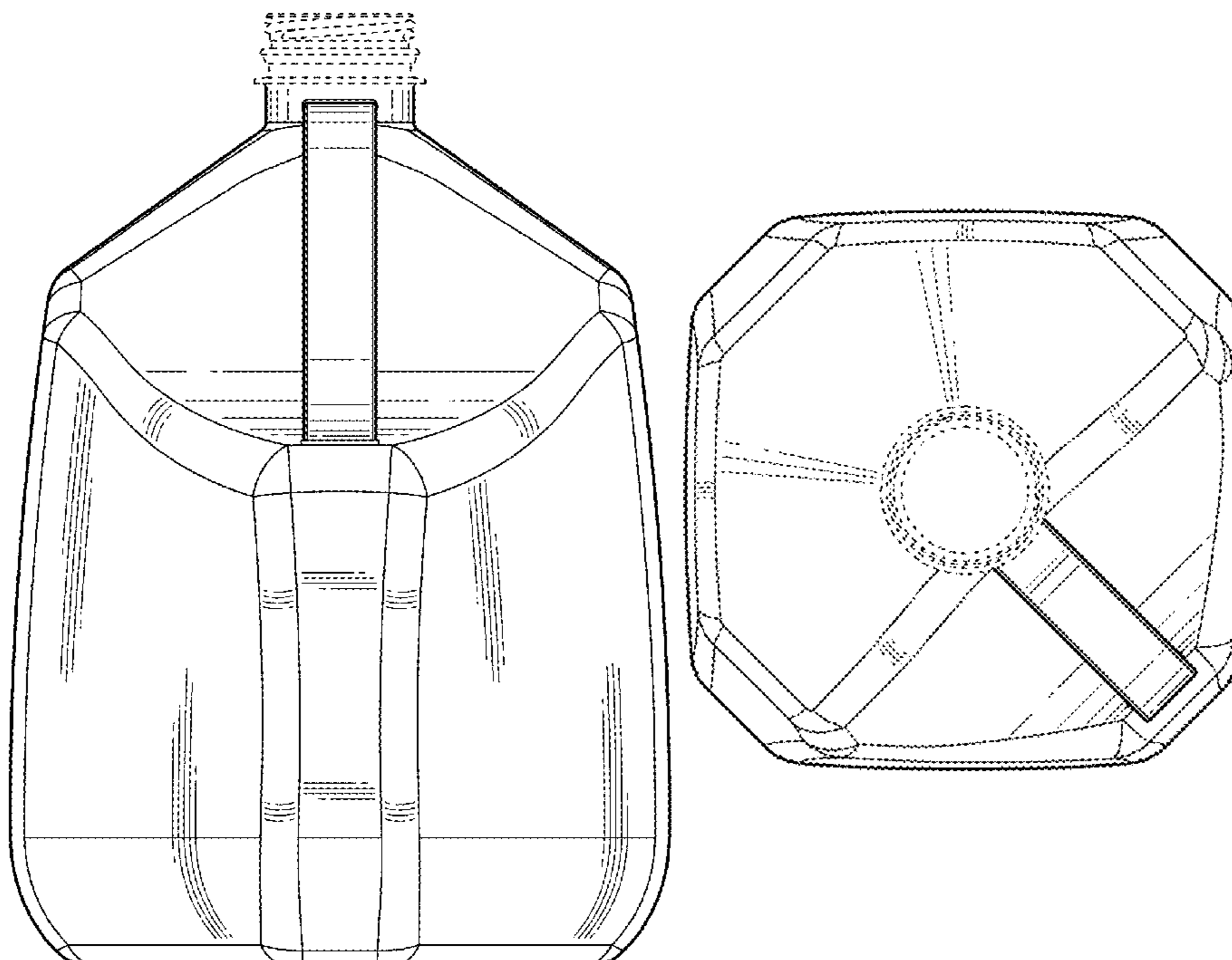
FIG. 7 shows a right-back elevation view thereof;

FIG. 8 shows a right-front elevation view thereof; and,

FIG. 9 shows a perspective view thereof.

The broken lines in the drawings showing the bottle illustrate the portions of the bottle that form no part of the claimed design. The dot-dash broken line defines the bounds of the claimed design and form no part thereof.

**1 Claim, 5 Drawing Sheets**



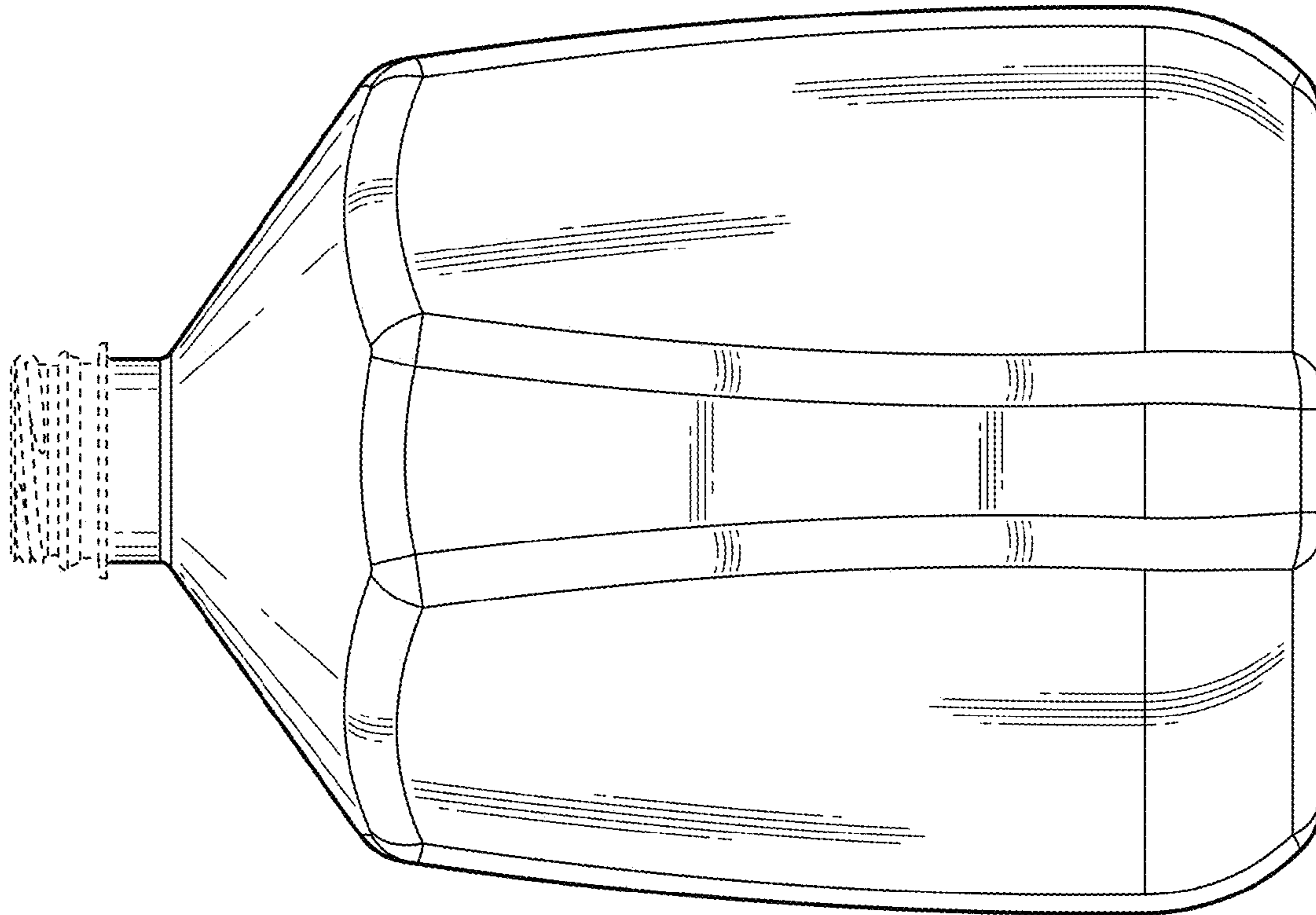


FIG. 2

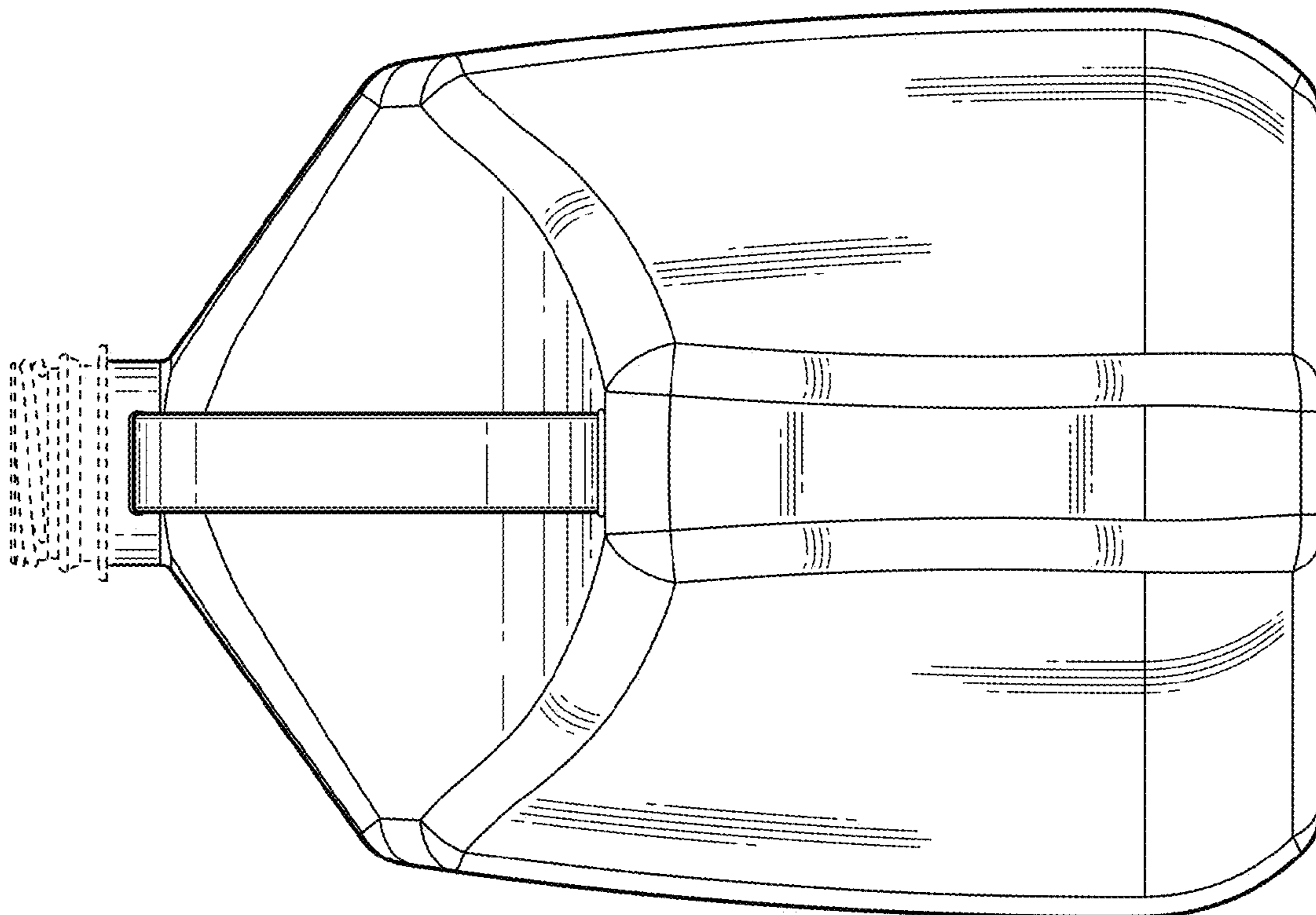


FIG. 1

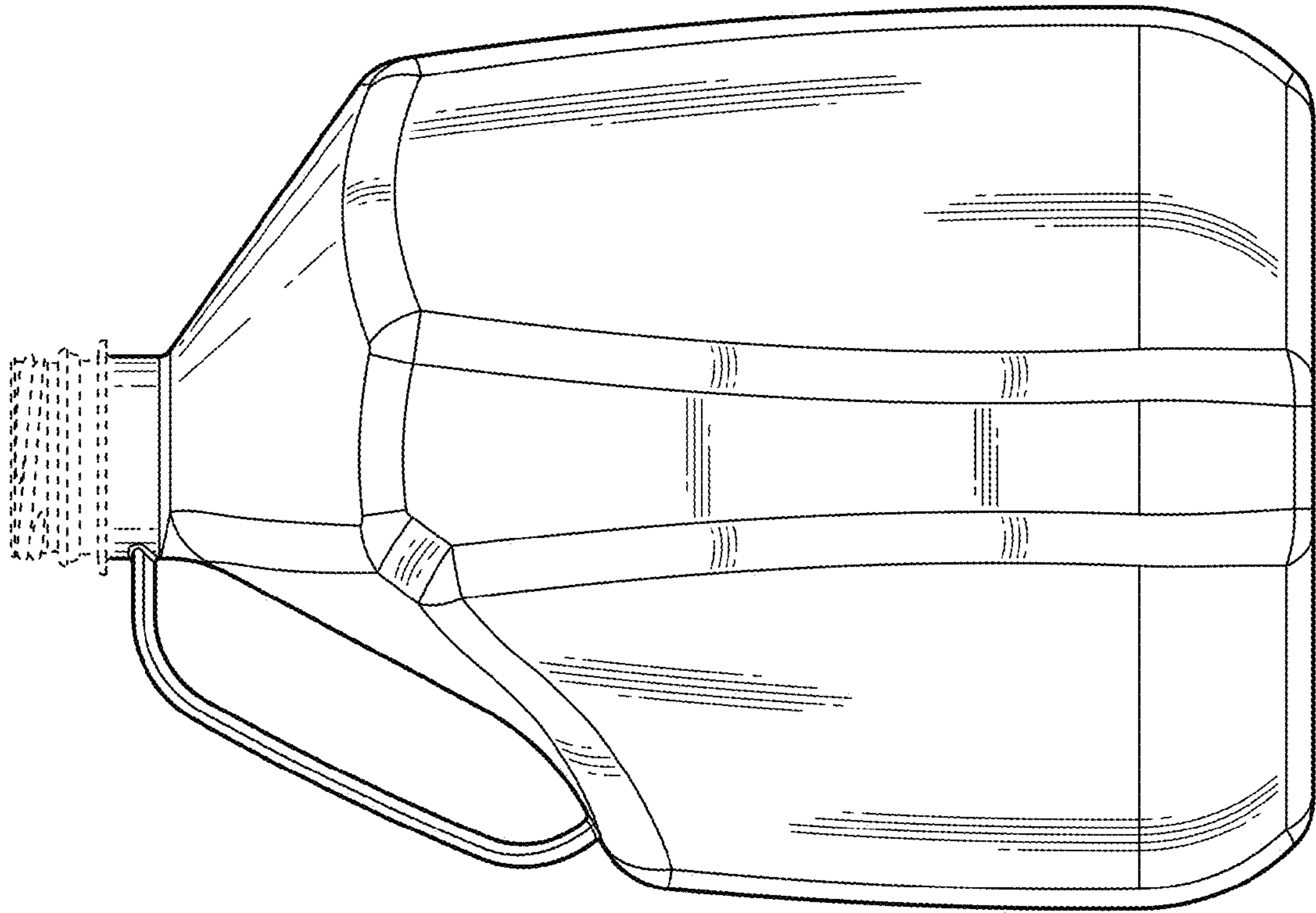


FIG. 4

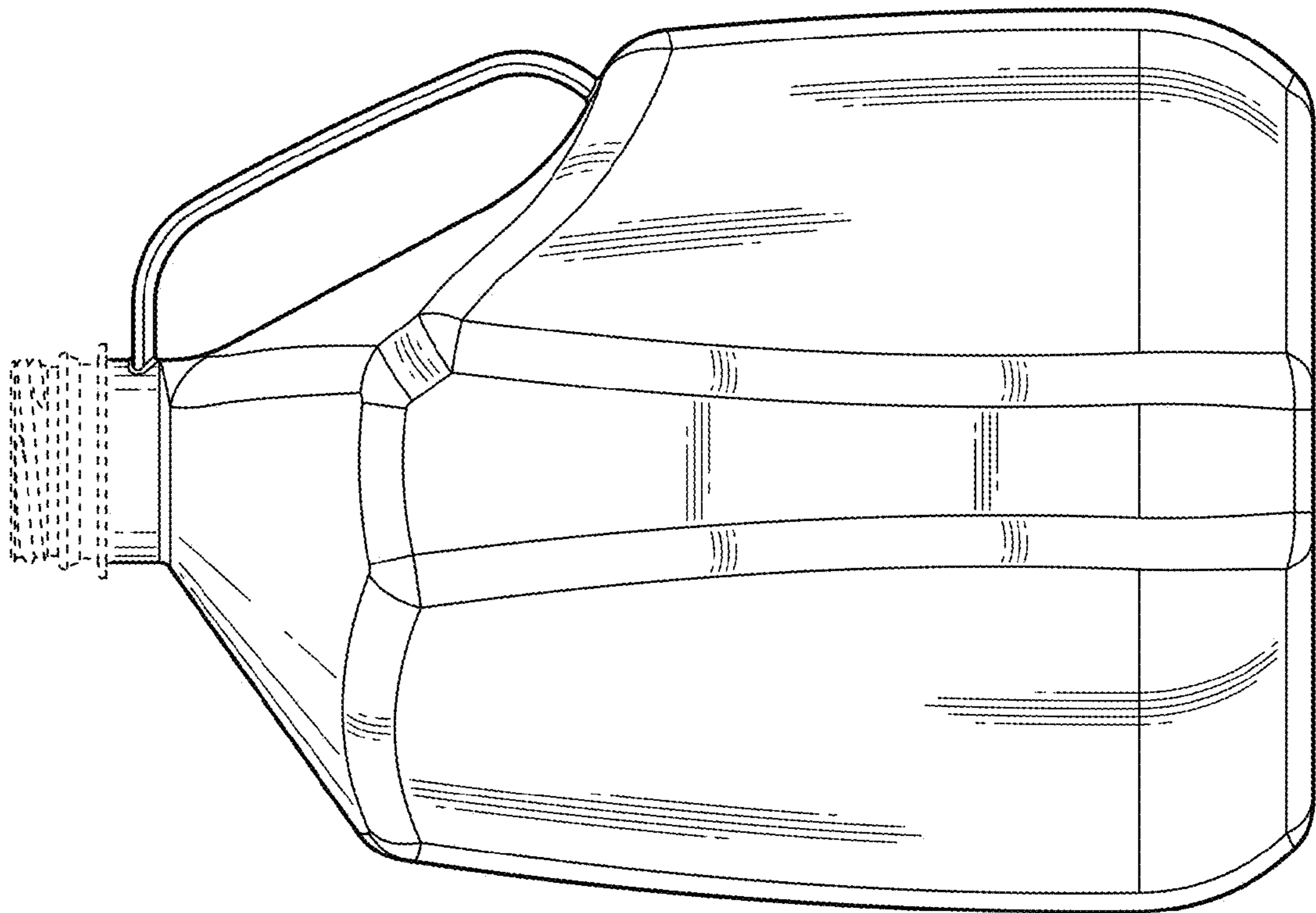


FIG. 3

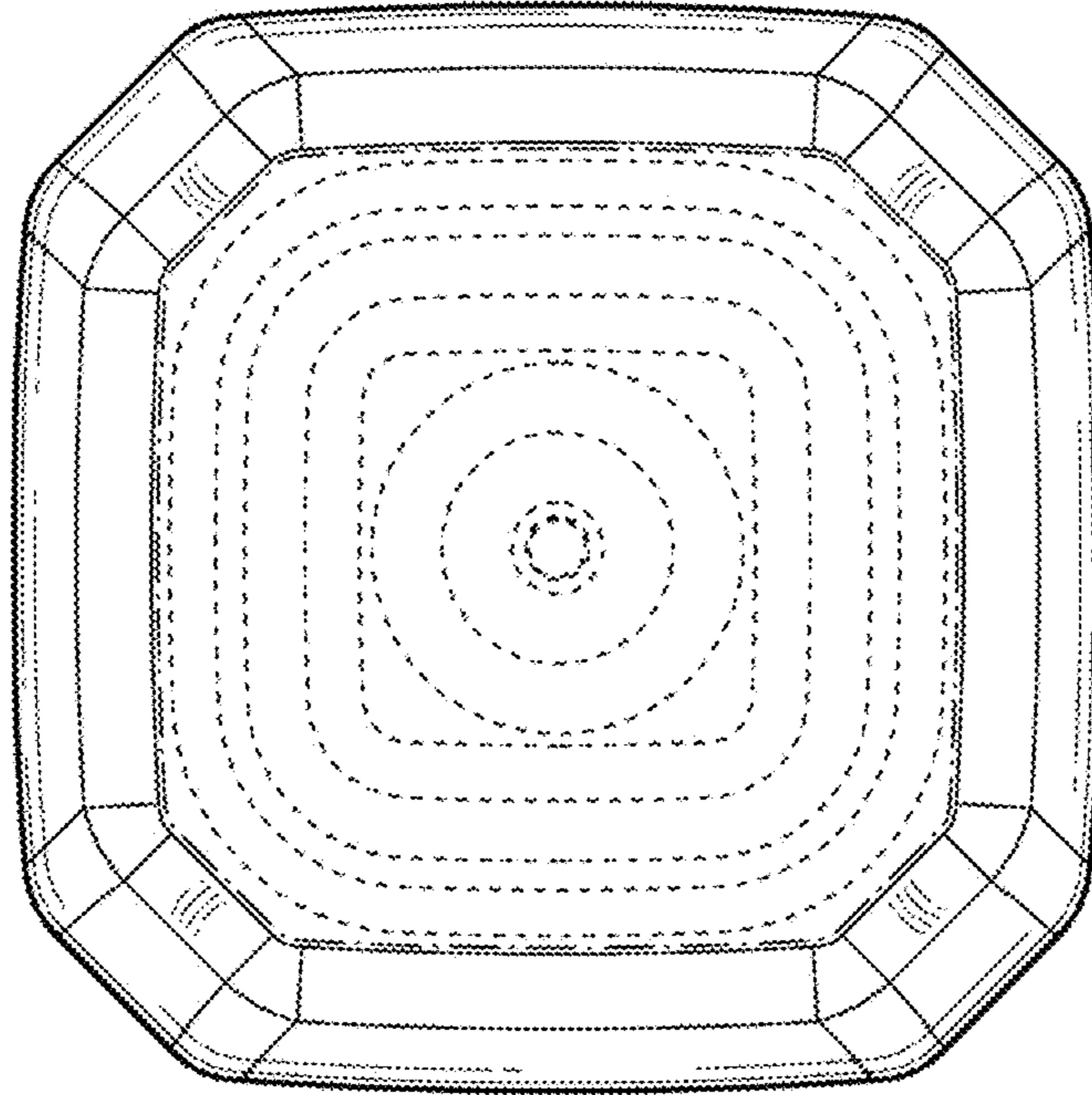


FIG. 6

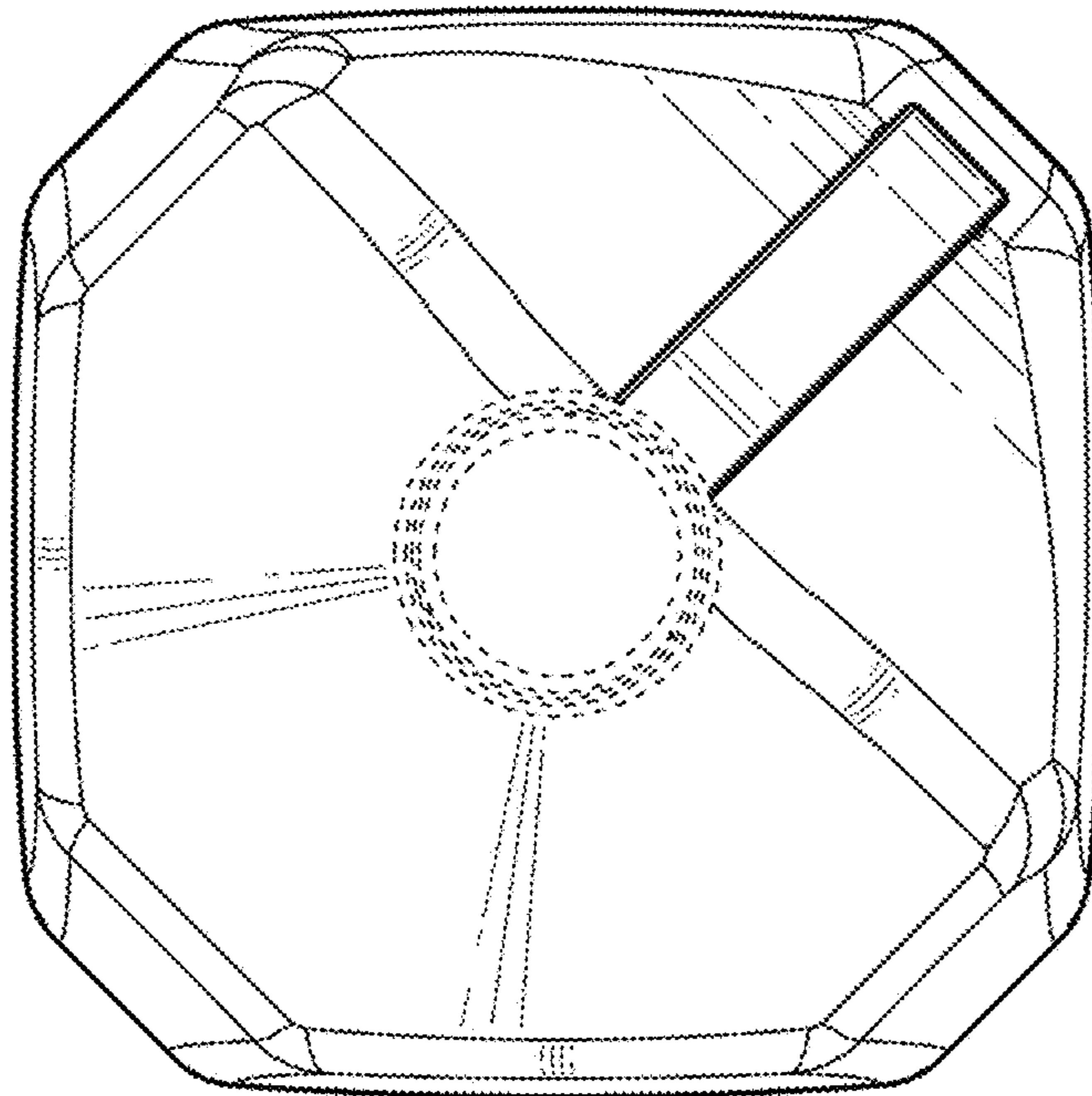


FIG. 5

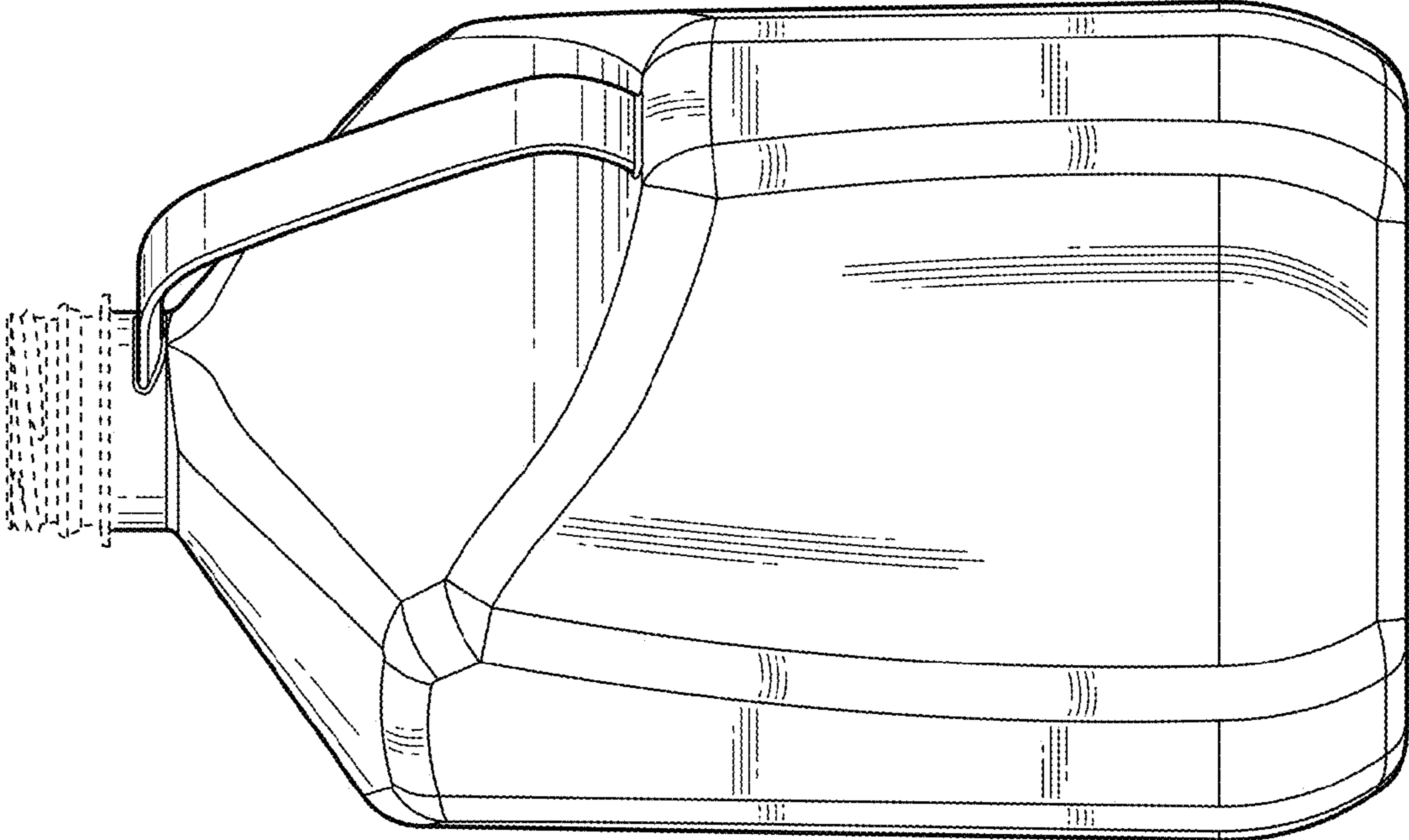


FIG. 7

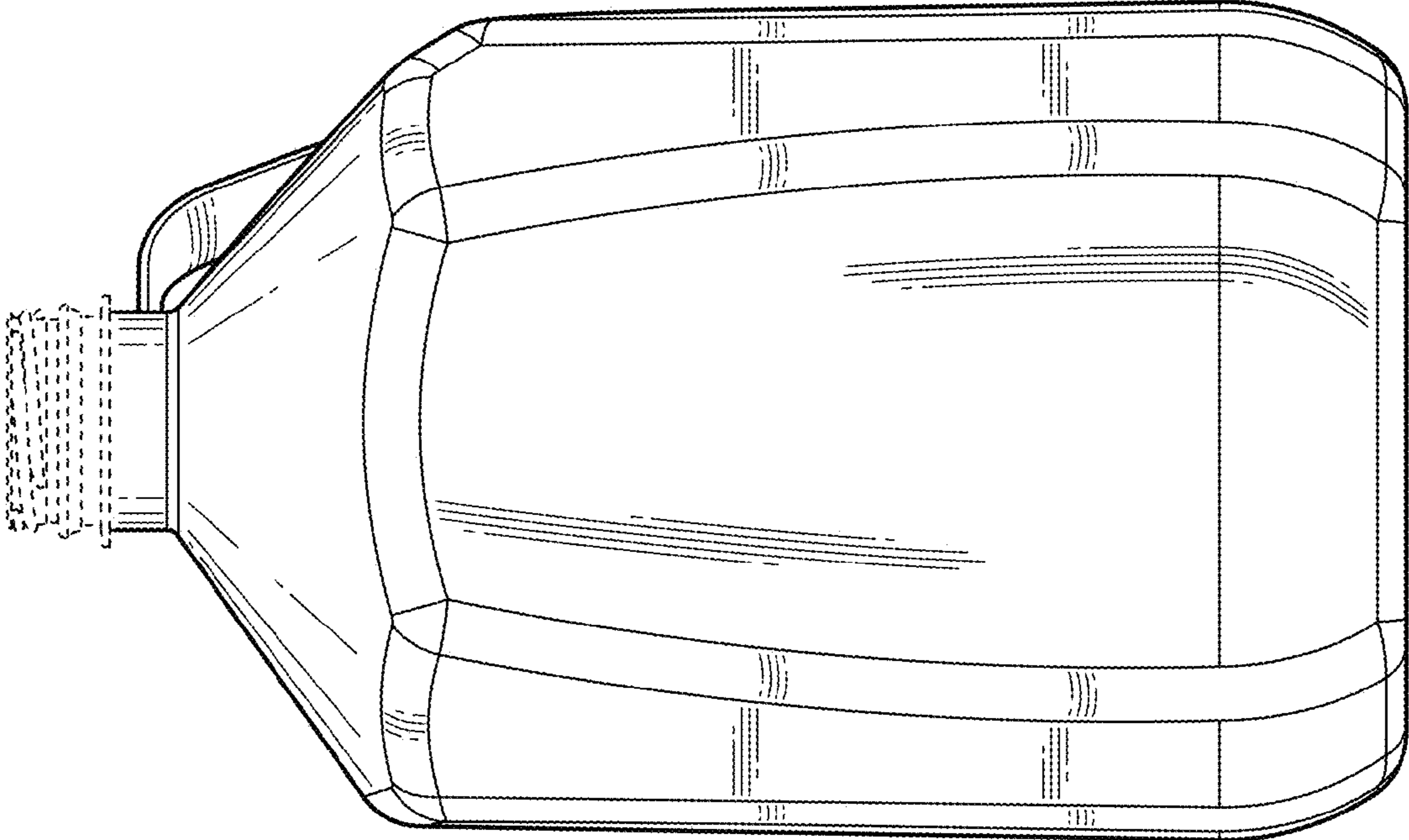


FIG. 8

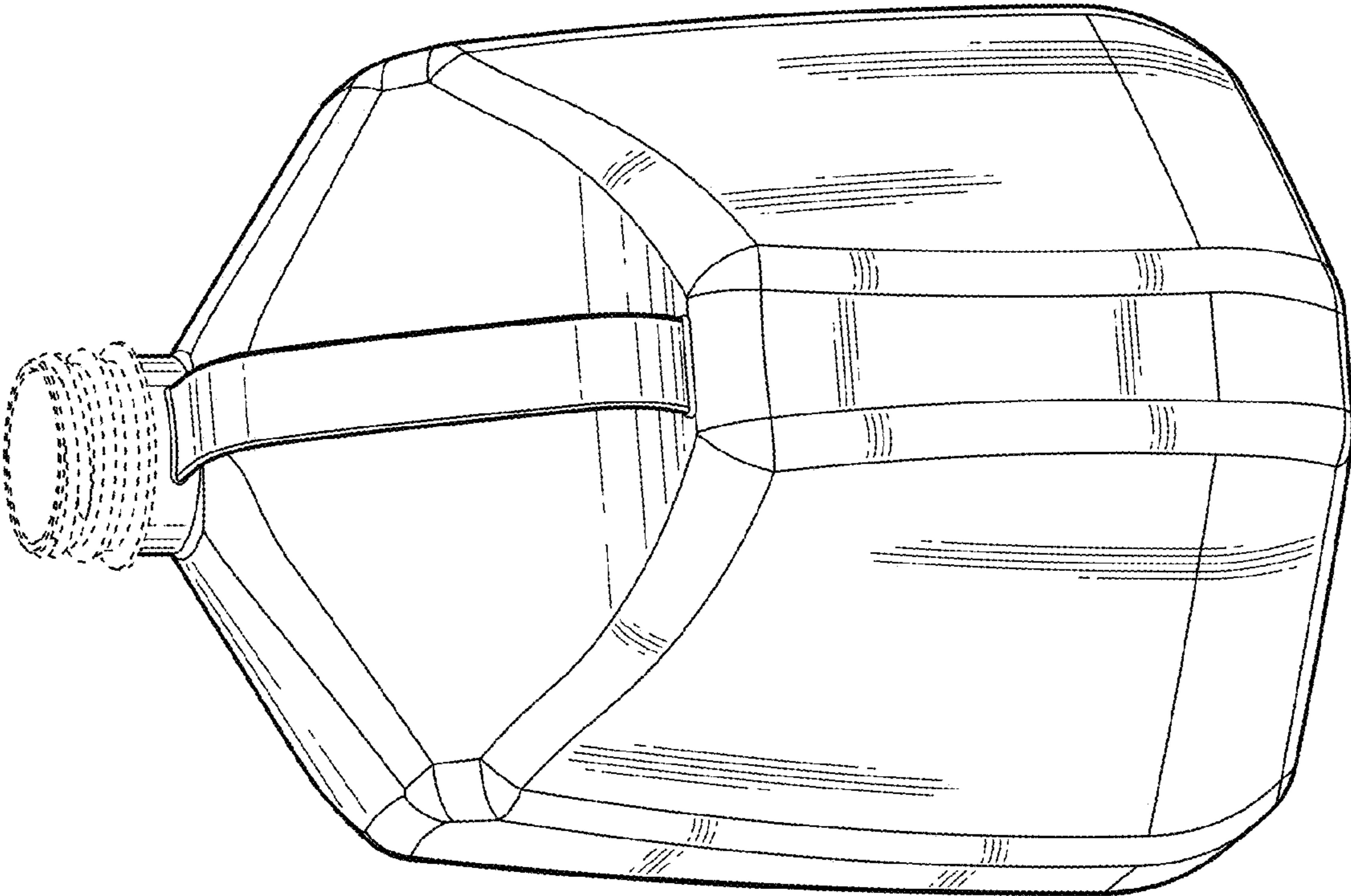


FIG. 9