



US00D881013S

(12) **United States Design Patent** (10) **Patent No.:** **US D881,013 S**
Luu et al. (45) **Date of Patent:** **** Apr. 14, 2020**

(54) **BOTTLE**
(71) Applicant: **LeChat**, Hercules, CA (US)
(72) Inventors: **Newton Luu**, Hercules, CA (US);
Christina Kleppe, Antioch, CA (US)
(73) Assignee: **LeChat**, Hercules, CA (US)
(**) Term: **15 Years**
(21) Appl. No.: **29/688,684**
(22) Filed: **Apr. 23, 2019**

Related U.S. Application Data

(60) Continuation-in-part of application No. 29/626,069, filed on Nov. 14, 2017, now Pat. No. Des. 846,395, which is a continuation of application No. 29/583,013, filed on Nov. 1, 2016, now Pat. No. Des. 802,420, which is a division of application No. 29/494,524, filed on Jun. 20, 2014, now Pat. No. Des. 770,285.
(51) **LOC (12) Cl.** **09-01**
(52) **U.S. Cl.**
USPC **D9/500**; D9/502
(58) **Field of Classification Search**
USPC D9/434-435, 447, 452, 454, 500,
D9/502-504, 516, 529, 530, 537-539,
D9/548-549, 557-558, 682, 686,
D9/688-692, 723; D4/116; D28/7,
D28/76-77, 88
CPC B65D 1/0002; B65D 1/0223; B65D 23/00;
B65D 81/00; B65D 83/00; B65D
2501/00; B65D 2501/0009; A45D 34/00;
A45D 34/42; A45D 34/45; A45D 34/46;
A45D 34/48; A45D 34/06; A45D
2034/007; A45D 40/0068; A45D 40/0075;
A45D 40/26; A45D 40/262; A45D
40/264; A45D 40/265

See application file for complete search history.

(56) **References Cited**
U.S. PATENT DOCUMENTS

D90,558 S	5/1933	Tricard
D93,074 S	6/1934	Westlake
D105,396 S	6/1937	McIntosh
D111,313 S	9/1938	Titze
D116,813 S	9/1939	Bost
D117,843 S	11/1939	Smith
D166,116 S	3/1952	Menefee, Jr.
2,832,981 A	5/1956	Ernst
3,337,901 A	8/1967	Schefer
D208,885 S	10/1967	Roehrich
D216,250 S	12/1969	Kneapler
D237,360 S	10/1975	Oliveira et al.
D252,445 S	7/1979	Rhodes
4,189,245 A	2/1980	Bennett
4,280,638 A	7/1981	Keihm
D270,331 S	8/1983	Benson
D271,565 S	11/1983	Slater
D316,034 S	4/1991	DeGaetano
D329,592 S	9/1992	Crawford
D330,859 S	11/1992	Schaeffer
D344,804 S	3/1994	Muniz

(Continued)

Primary Examiner — Dana Meyrow

(74) *Attorney, Agent, or Firm* — Aka Chan LLP

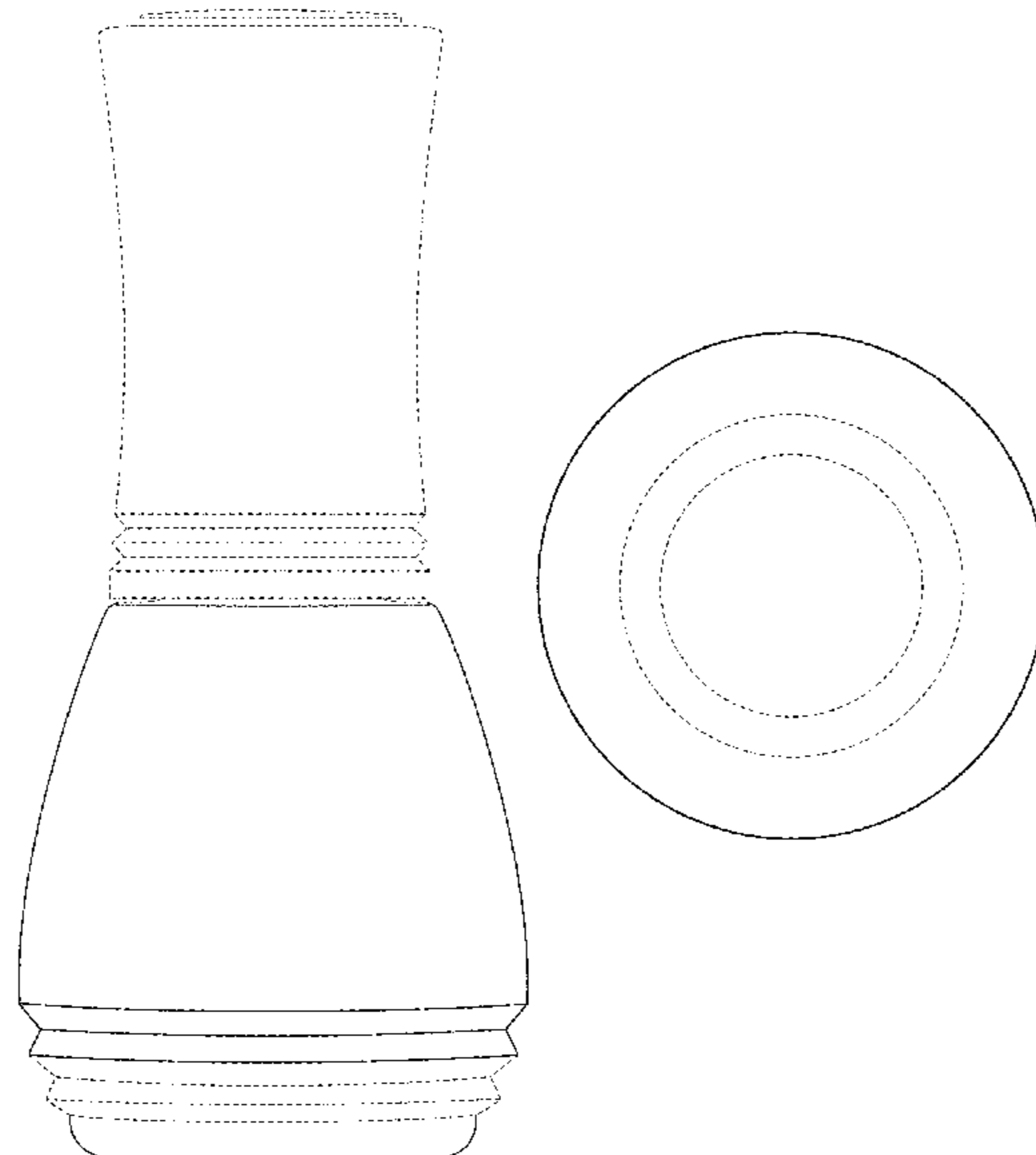
(57) **CLAIM**

The ornamental design for a bottle, as shown and described.

DESCRIPTION

FIG. 1 shows a perspective view of a design for a bottle. FIG. 2 shows a side view of FIG. 1. FIG. 3 shows a top view of FIG. 1; and, FIG. 4 shows a bottom view of FIG. 1. The broken lines in the drawings illustrate the portions of the bottle and a bottle cap that form no part of the claim.

1 Claim, 4 Drawing Sheets



(56)

References Cited

U.S. PATENT DOCUMENTS

D346,334 S	4/1994	Ahlsvik	D758,865 S	6/2016	Pires et al.	
D379,764 S	6/1997	Litton	D767,405 S	9/2016	Orset	
D383,980 S	9/1997	Abfier et al.	D769,124 S	10/2016	Wieland	
D469,356 S	1/2003	Vo	D770,284 S	11/2016	Luu et al.	
D471,108 S	3/2003	Calderone, Jr.	D770,285 S	11/2016	Luu et al.	
D494,476 S	8/2004	Cwynar-Laska et al.	D770,295 S	11/2016	Luu et al.	
6,966,716 B2	11/2005	Pink	D770,901 S	11/2016	Luu et al.	
7,311,457 B2	12/2007	Pink	D772,579 S	11/2016	Baranes	
D561,027 S	2/2008	Nguyen	D802,420 S	11/2017	Luu et al.	
D577,599 S	9/2008	Moretti	D802,426 S	11/2017	Luu et al.	
D604,167 S	11/2009	Tran et al.	D803,055 S	11/2017	Luu et al.	
D695,121 S	12/2013	Seo	D805,910 S	12/2017	Luu et al.	
D701,124 S	3/2014	O'Hara	D813,551 S	3/2018	Tan et al.	
D721,966 S	2/2015	Mathiez	D816,506 S	5/2018	Jones et al.	
D756,234 S	5/2016	Orset	D817,763 S	5/2018	Isaksen	
D757,551 S	5/2016	Pires et al.	D821,200 S *	6/2018	Harris	D9/500
D757,553 S	5/2016	Pires et al.	D833,874 S *	11/2018	Harrison	D9/500
D758,737 S	6/2016	Tan et al.	D847,654 S *	5/2019	Luu	D9/560
			D850,264 S *	6/2019	Luu	D9/503
			2002/0039513 A1	4/2002	Pink	
			2006/0213863 A1	9/2006	Tran et al.	

* cited by examiner

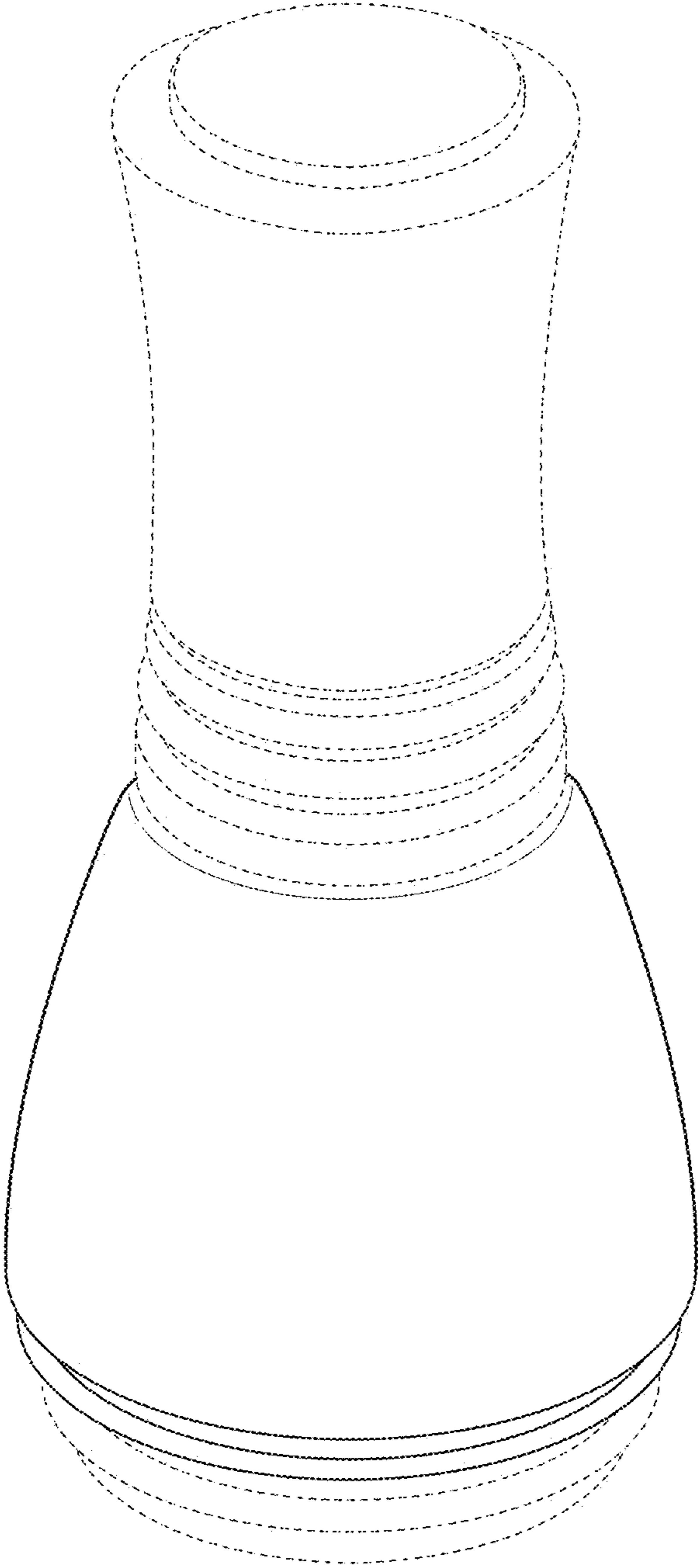


FIG. 1

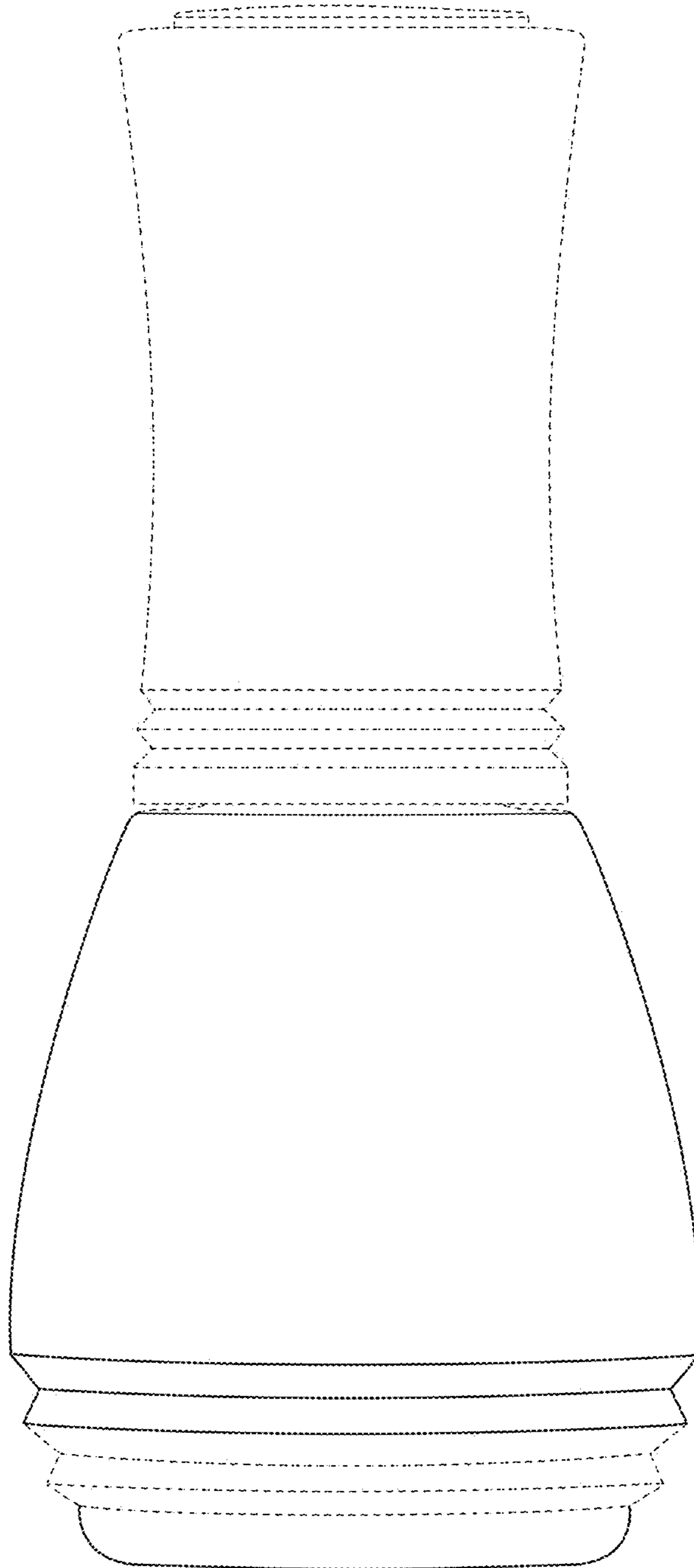


FIG. 2

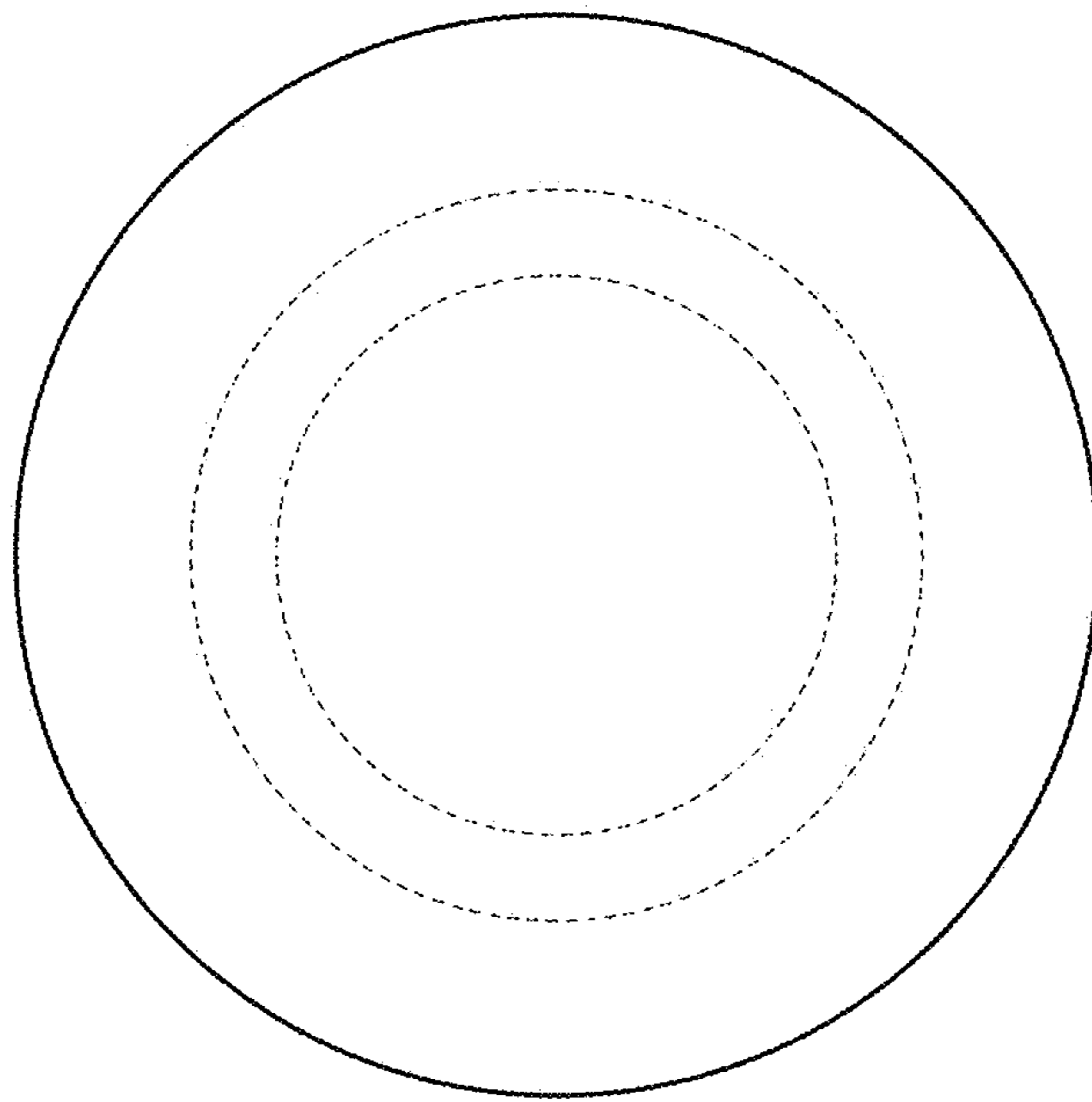


FIG. 3

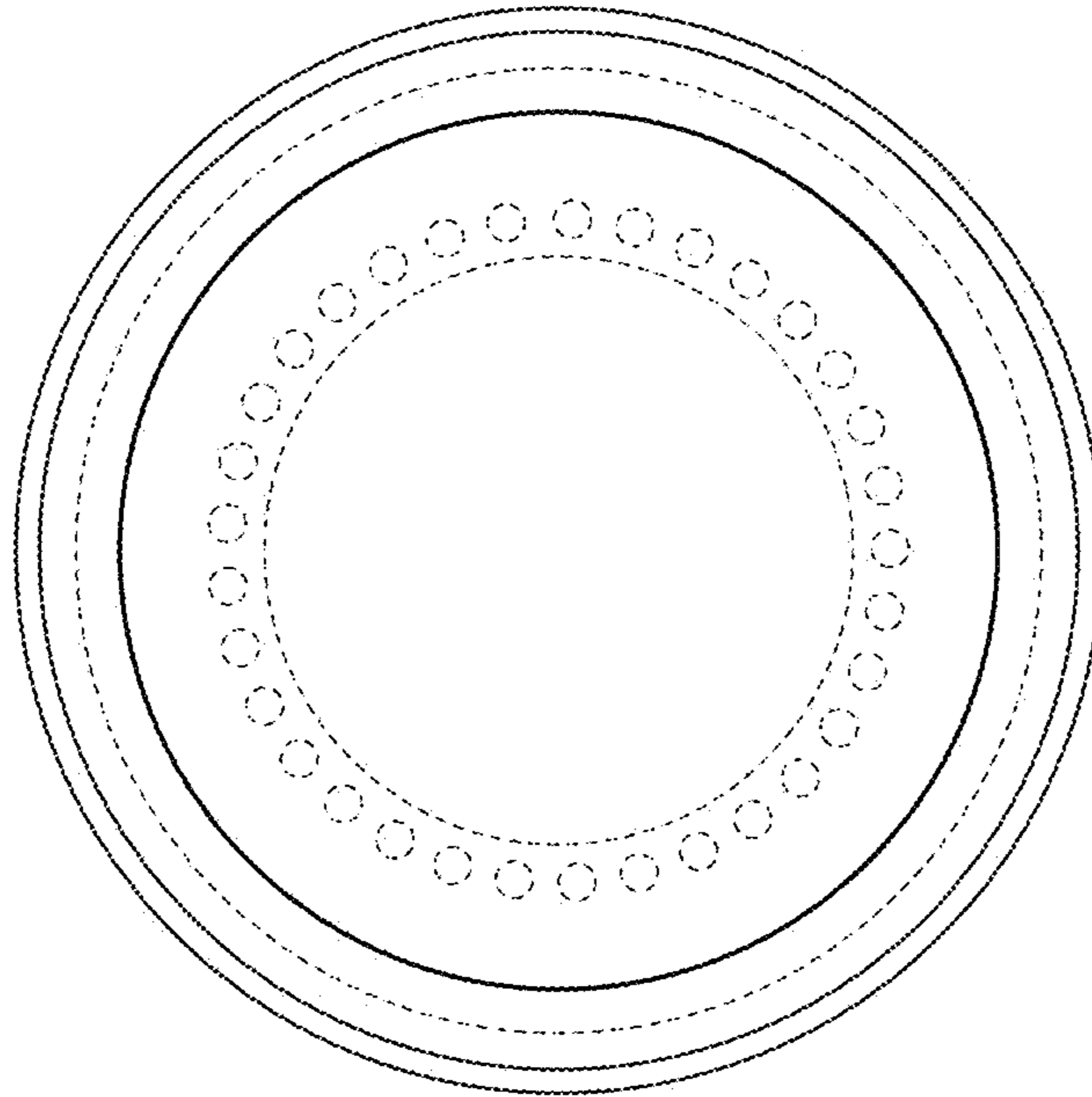


FIG. 4