



US00D881012S

(12) **United States Design Patent**
Salow et al.

(10) **Patent No.:** **US D881,012 S**
(45) **Date of Patent:** **** Apr. 14, 2020**

(54) **HANG TAB**

(71) Applicant: **Target Brands, Inc.**, Minneapolis, MN (US)

(72) Inventors: **Ryan Salow**, Minneapolis, MN (US); **Leonardo Costa Lyra Porto**, New York, NY (US); **Sanuk Kim**, New York, NY (US); **Antonia Lazar**, New York, NY (US)

(73) Assignee: **Target Brands, Inc.**, Minneapolis, MN (US)

(**) Term: **15 Years**

(21) Appl. No.: **29/662,973**

(22) Filed: **Sep. 11, 2018**

(51) **LOC (12) Cl.** **09-03**

(52) **U.S. Cl.**
USPC **D9/457; D9/415**

(58) **Field of Classification Search**
USPC D9/415, 418, 424, 457, 732
CPC B65D 75/327; B65D 75/36; B65D 75/366;
B65D 75/367; B65D 75/32; B65D 2575/3245; B65D 75/326; B65D 2575/366; B65D 2585/88; B65D 75/322; B65D 77/2032; B65D 5/4204; B65D 75/22; B65D 77/0413; B65D 5/4208; B65D 77/02; B65D 25/22; B65D 75/5833; B65D 85/00; B65D 2543/00194; B65D 2301/20; B65D 2575/3218; B65D 73/0007; B65D 73/0042
See application file for complete search history.

(56) **References Cited**

U.S. PATENT DOCUMENTS

3,884,443 A 5/1975 McMaster
D269,412 S * 6/1983 Jeremiah D9/457
4,832,301 A 5/1989 Hiramoto et al.

5,328,137 A 7/1994 Miller et al.
5,542,634 A 8/1996 Pomerantz
D379,305 S * 5/1997 VanFleet D9/457
6,517,038 B1 2/2003 Pomerantz
(Continued)

OTHER PUBLICATIONS

Do-it Corporation, "Interior & Box Top Hang Tabs," <https://www.do-it.com/sites/default/files/public/interior-security-box-top-interior.pdf>, at least as early as Jun. 27, 2018, p. 2 of 4.

(Continued)

Primary Examiner — Lauren R Calve

(74) *Attorney, Agent, or Firm* — Leanne Taveggia Farrell; Westman, Champlin & Koehler, P.A.

(57) **CLAIM**

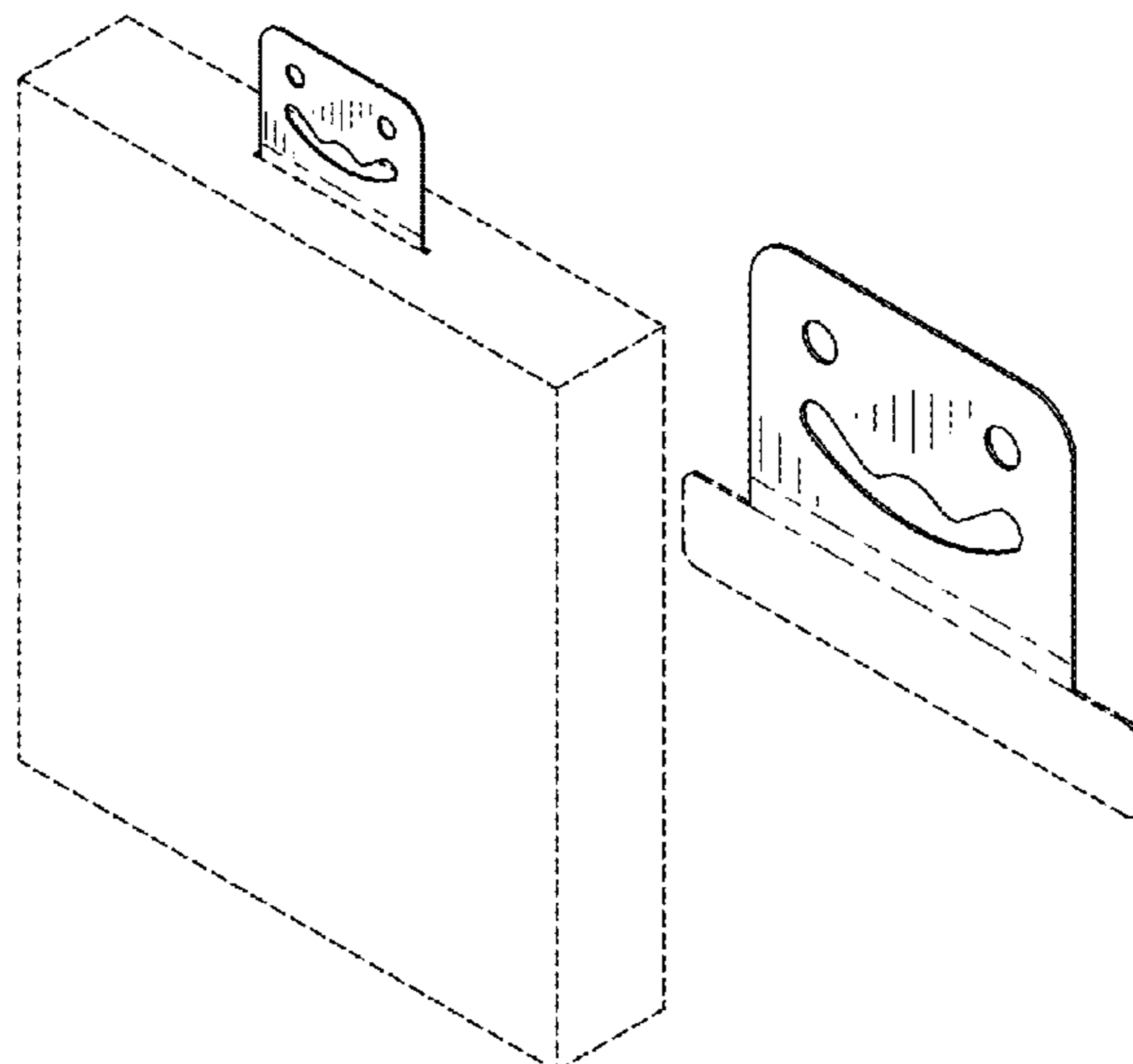
The ornamental design for a hang tab, as shown and described.

DESCRIPTION

FIG. 1 is a perspective view of a first embodiment of a hang tab with environment showing our new design;
FIG. 2 is a front view thereof;
FIG. 3 is a right side view thereof, the left side view being a mirror image;
FIG. 4 is a top view thereof;
FIG. 5 is a perspective view of a second embodiment without environment thereof;
FIG. 6 is a front view of FIG. 5;
FIG. 7 is a right side view of FIG. 5, the left side view being a mirror image;
FIG. 8 is a top view of FIG. 5; and,
FIG. 9 is a bottom view of FIG. 5.

The dash-dash-dash broken lines shown in the drawings are included for purposes of illustrating portions of the hang tab or are environment and form no part of the claimed design. The dash-dot-dash broken lines shown in the drawings represent score lines and form no part of the claimed design.

1 Claim, 3 Drawing Sheets



(56)

References Cited

U.S. PATENT DOCUMENTS

6,779,655 B2 * 8/2004 Olsen B65D 71/504
206/150
D685,178 S * 7/2013 Lv D3/206
D863,958 S * 10/2019 Tidwell D9/435
D868,576 S * 12/2019 Rosebrook D9/418
2010/0108846 A1 * 5/2010 Boscolo A47F 5/0006
248/301
2010/0325924 A1 * 12/2010 Aletto B42D 15/045
40/124.03
2011/0042375 A1 * 2/2011 Jones B65D 5/38
220/6
2013/0240134 A1 9/2013 Flynn et al.
2014/0069843 A1 * 3/2014 Ashkenazi B65D 75/56
206/702
2015/0001167 A1 * 1/2015 Pena A47F 5/0861
211/9

OTHER PUBLICATIONS

Pace Punches, Inc., "Martini slot for hang tab", <http://pacepunches.com/PacePunchescatalog.pdf>, at least as early as Jun. 27, 2018, p. 18-19 of 54.

* cited by examiner

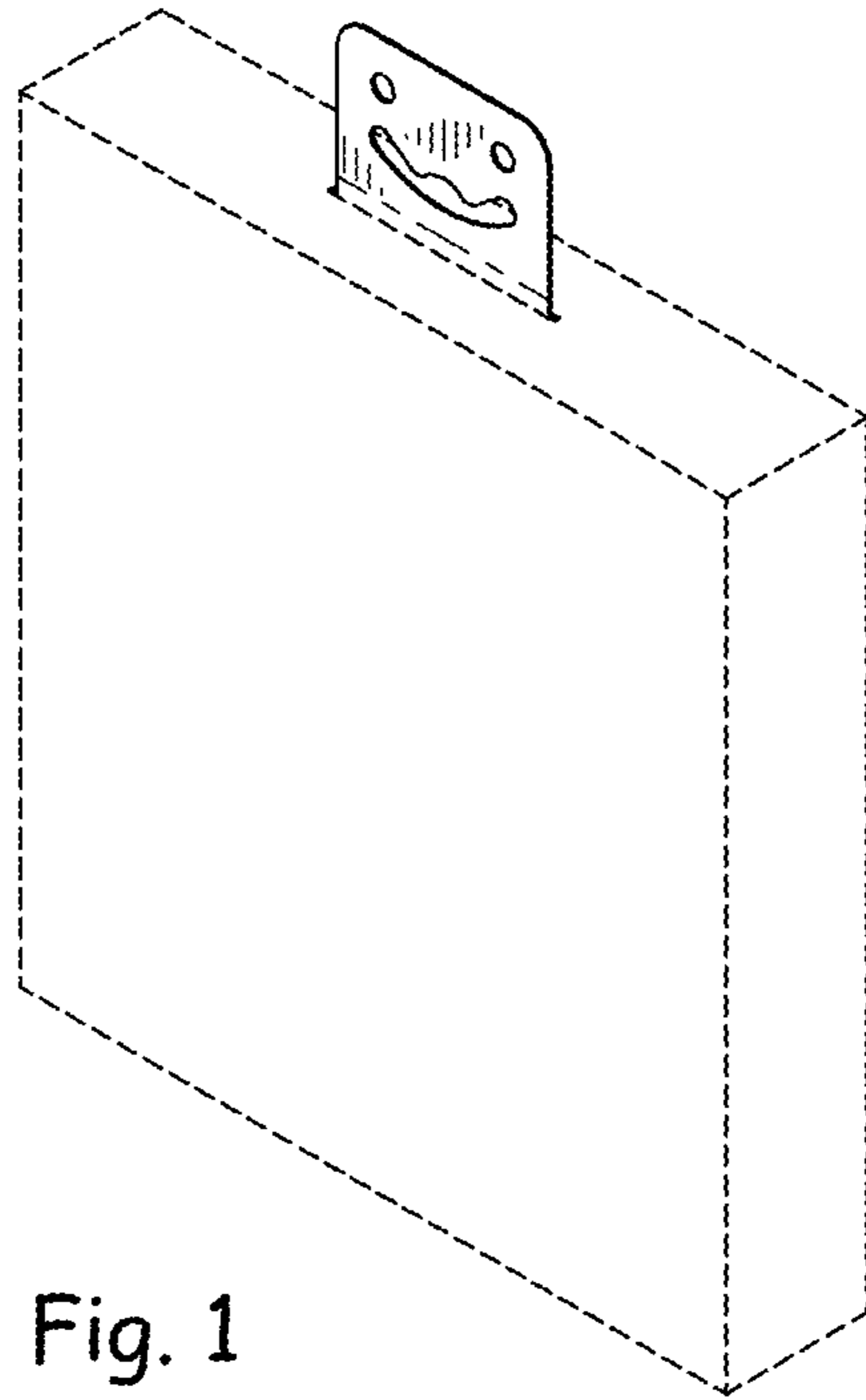


Fig. 1

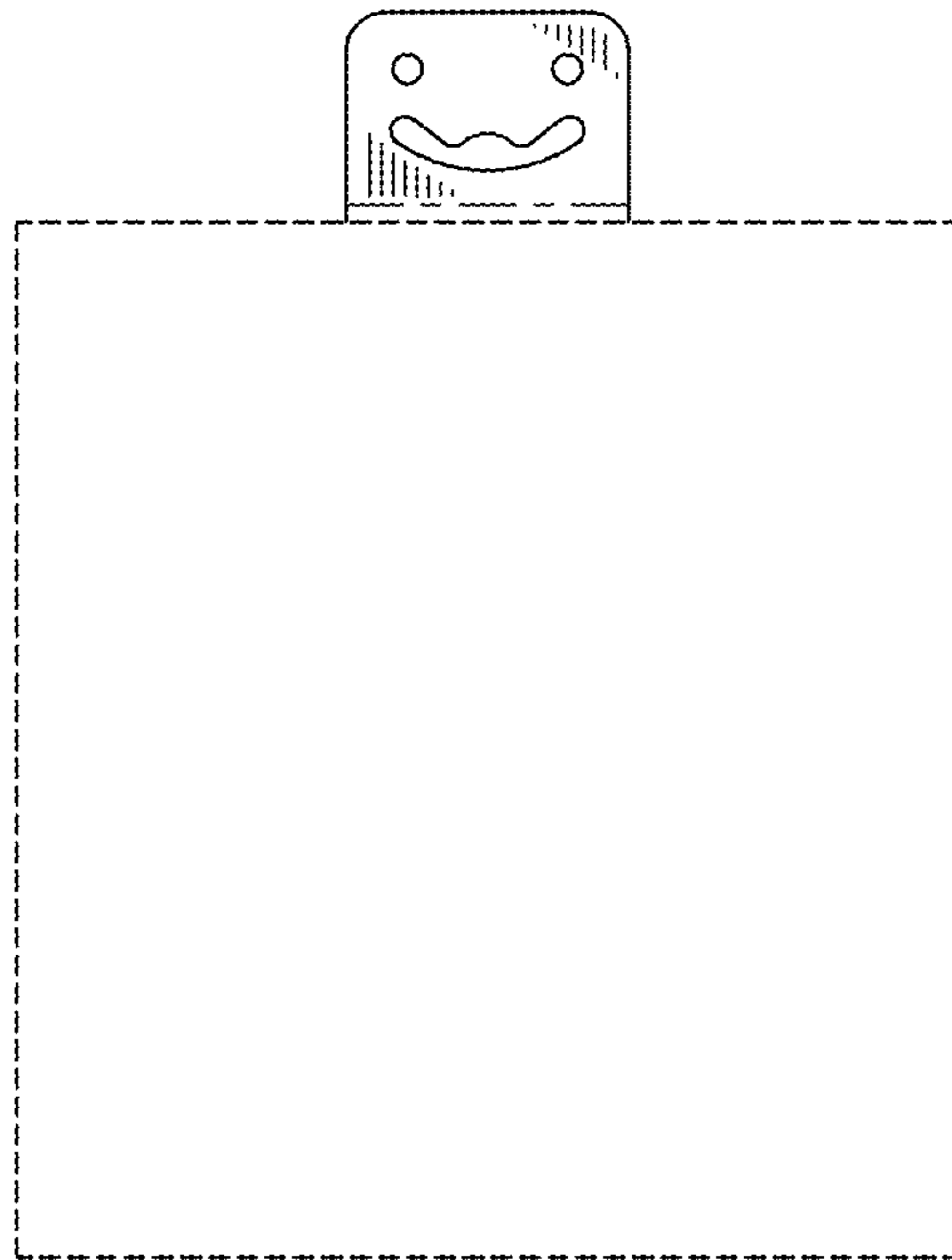


Fig. 2



Fig. 3



Fig. 4

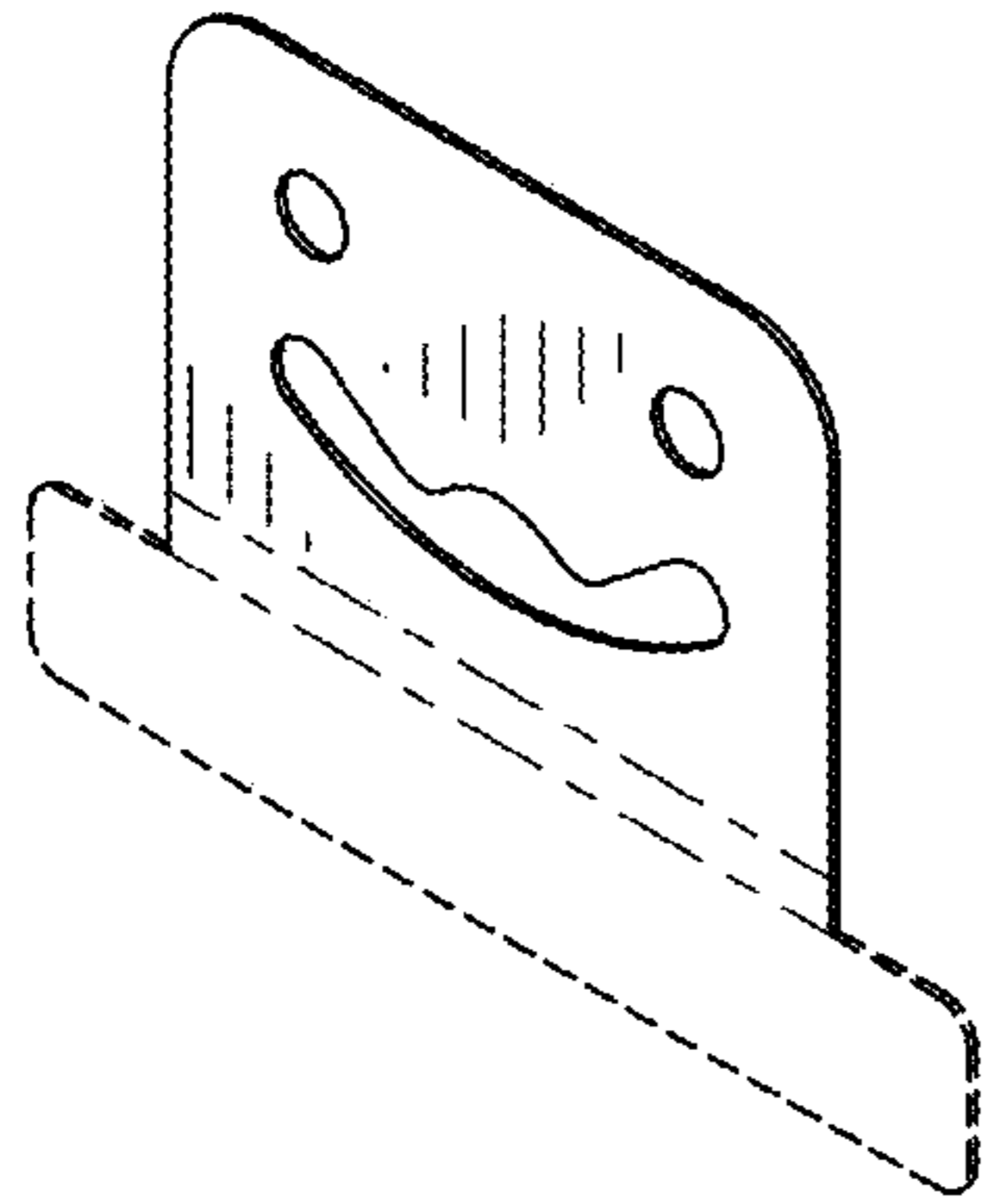


Fig. 5

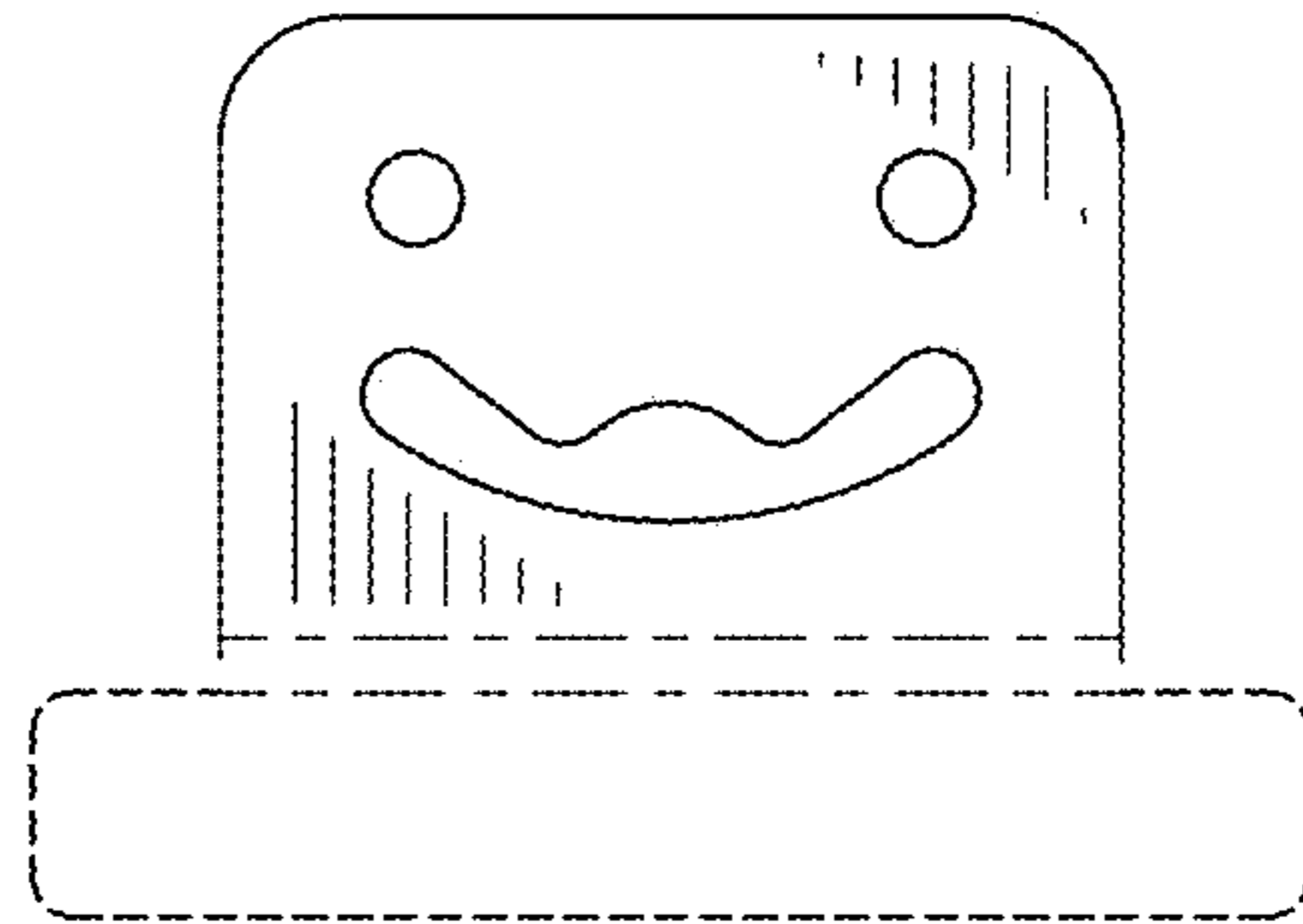


Fig. 6



Fig. 7

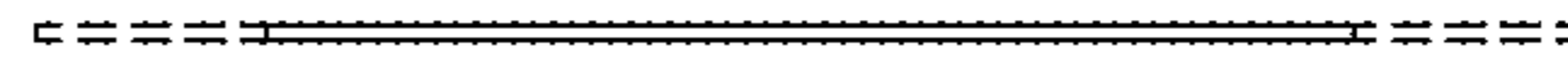


Fig. 8

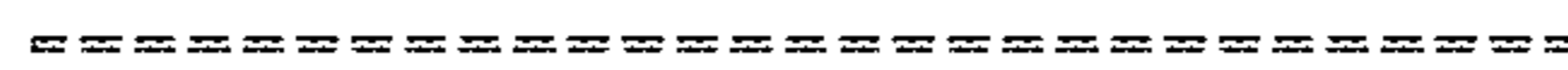


Fig. 9