



US00D881011S

(12) **United States Design Patent**
Wolf

(10) **Patent No.:** **US D881,011 S**

(45) **Date of Patent:** **** Apr. 14, 2020**

- (54) **BAG INSERT**
- (71) Applicant: **LBP Manufacturing, LLC**, Cicero, IL (US)
- (72) Inventor: **Kurt Wolf**, Chicago, IL (US)
- (73) Assignee: **LBP Manufacturing LLC**, Cicero, IL (US)

- 5,743,389 A * 4/1998 Cutler B65D 71/0003
206/194
- 5,797,486 A * 8/1998 Picciolo B65D 71/48
206/162
- D485,753 S * 1/2004 Vogel D9/415
- D567,670 S * 4/2008 Say Ulin D9/753
- D567,671 S * 4/2008 Say Ulin D9/753
- D698,267 S * 1/2014 Wagner D9/753
- D730,197 S * 5/2015 Perkins D9/751
- D786,677 S * 5/2017 Griffith D9/456

(**) Term: **15 Years**

(21) Appl. No.: **29/643,907**

(22) Filed: **Apr. 12, 2018**

(51) **LOC (12) Cl.** **09-07**

(52) **U.S. Cl.**
USPC **D9/456; D9/737**

(58) **Field of Classification Search**
USPC D9/414-423, 430-433, 454, 456, 457,
D9/600, 667, 711, 713, 721-722, 732,
D9/756, 737; D20/10, 22; D19/2, 26, 86
CPC ... B65D 5/00; B65D 5/02; B65D 5/18; B65D
5/20

See application file for complete search history.

(56) **References Cited**

U.S. PATENT DOCUMENTS

- 2,828,047 A * 3/1958 Weiselberg B65D 71/0029
206/189
- D206,494 S * 12/1966 Watts D9/415
- 4,278,197 A * 7/1981 Scheinbaum B65D 71/72
206/217
- D286,507 S * 11/1986 Drago D6/535
- 5,052,552 A * 10/1991 Maroszek B65D 71/004
206/171
- D369,749 S * 5/1996 English D9/456
- D386,073 S * 11/1997 Hanson D9/432

OTHER PUBLICATIONS

Meal Inserts. [online] Retrieved Jul. 30, 2019 from URL: <https://www.lbpmfg.com/product/delivery-solutions/>.*

* cited by examiner

Primary Examiner — Vy N Koenig

(74) *Attorney, Agent, or Firm* — Fitch, Even, Tabin & Flannery LLP

(57) **CLAIM**

I claim the ornamental design for a bag insert, as shown and described.

DESCRIPTION

FIG. 1 is a perspective view of a bag insert showing my new design, the bag insert having claimed curved lines of weakness about drink receiving openings as shown in dashed lines;

FIG. 2 is a front elevational view thereof;

FIG. 3 is a rear elevational view thereof;

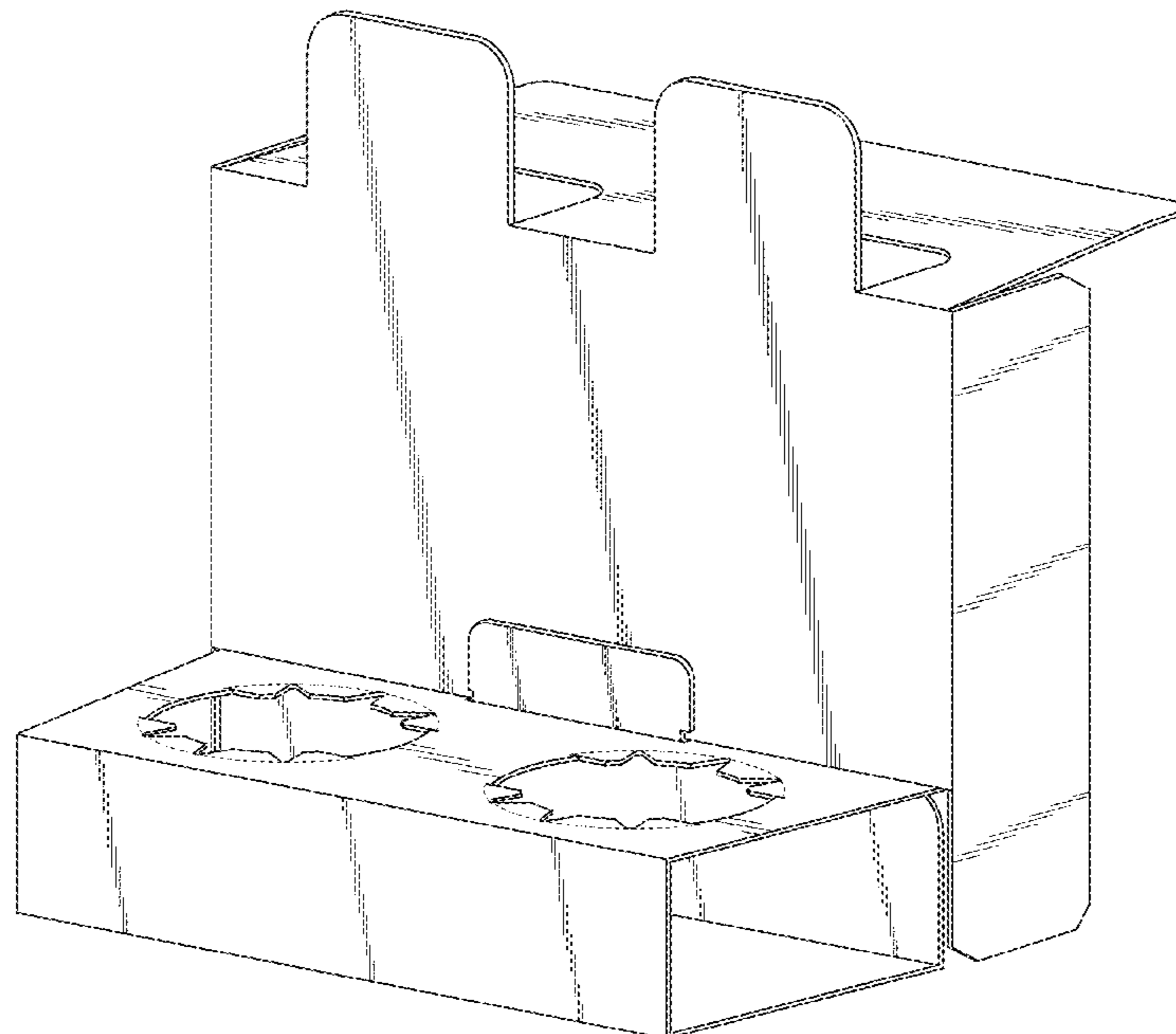
FIG. 4 is a left side elevational view thereof;

FIG. 5 is a right side elevational view thereof;

FIG. 6 is a top plan view thereof showing the claimed curved lines of weakness in dashed lines; and,

FIG. 7 is a bottom plan view thereof.

1 Claim, 7 Drawing Sheets



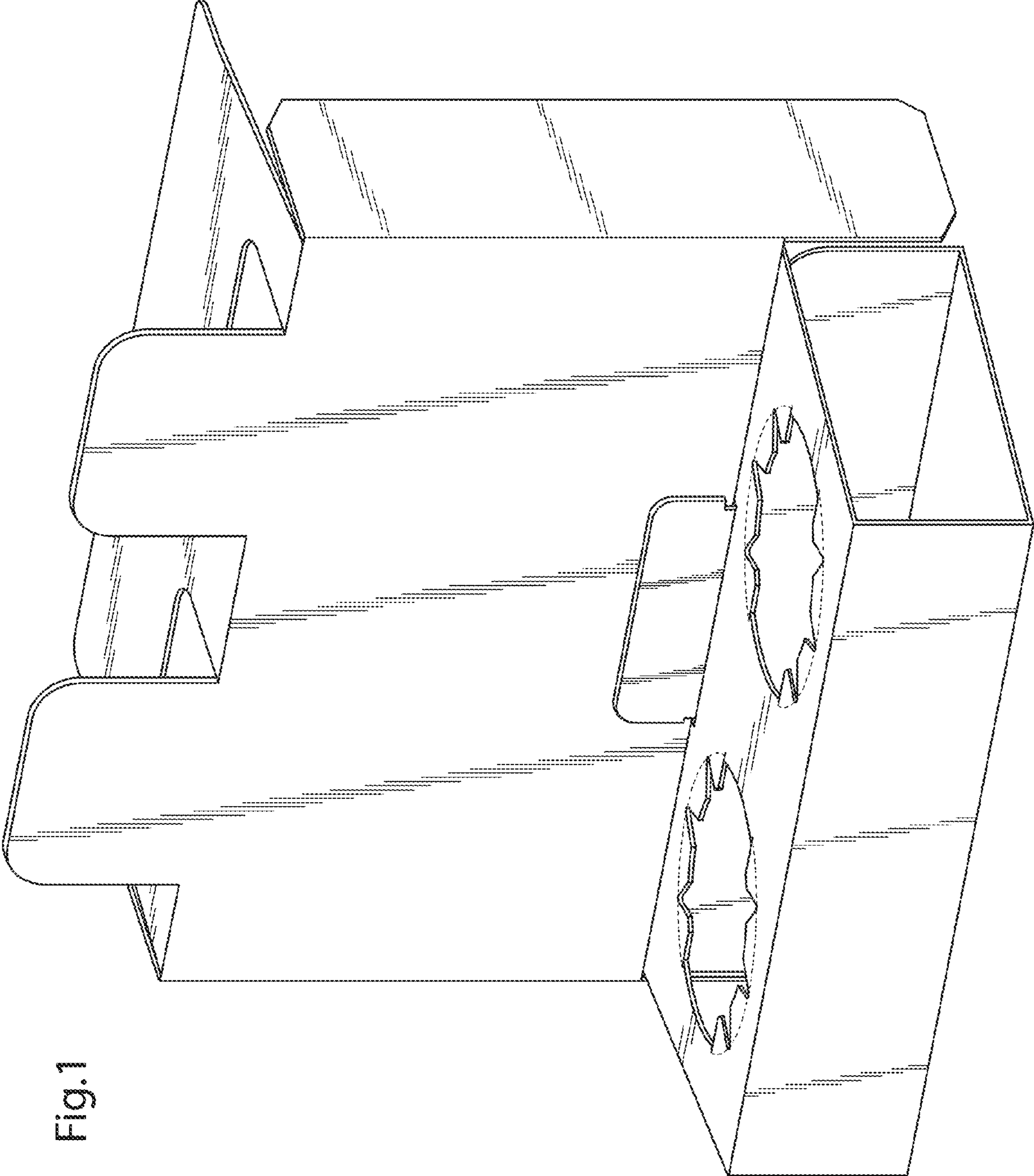


Fig.1

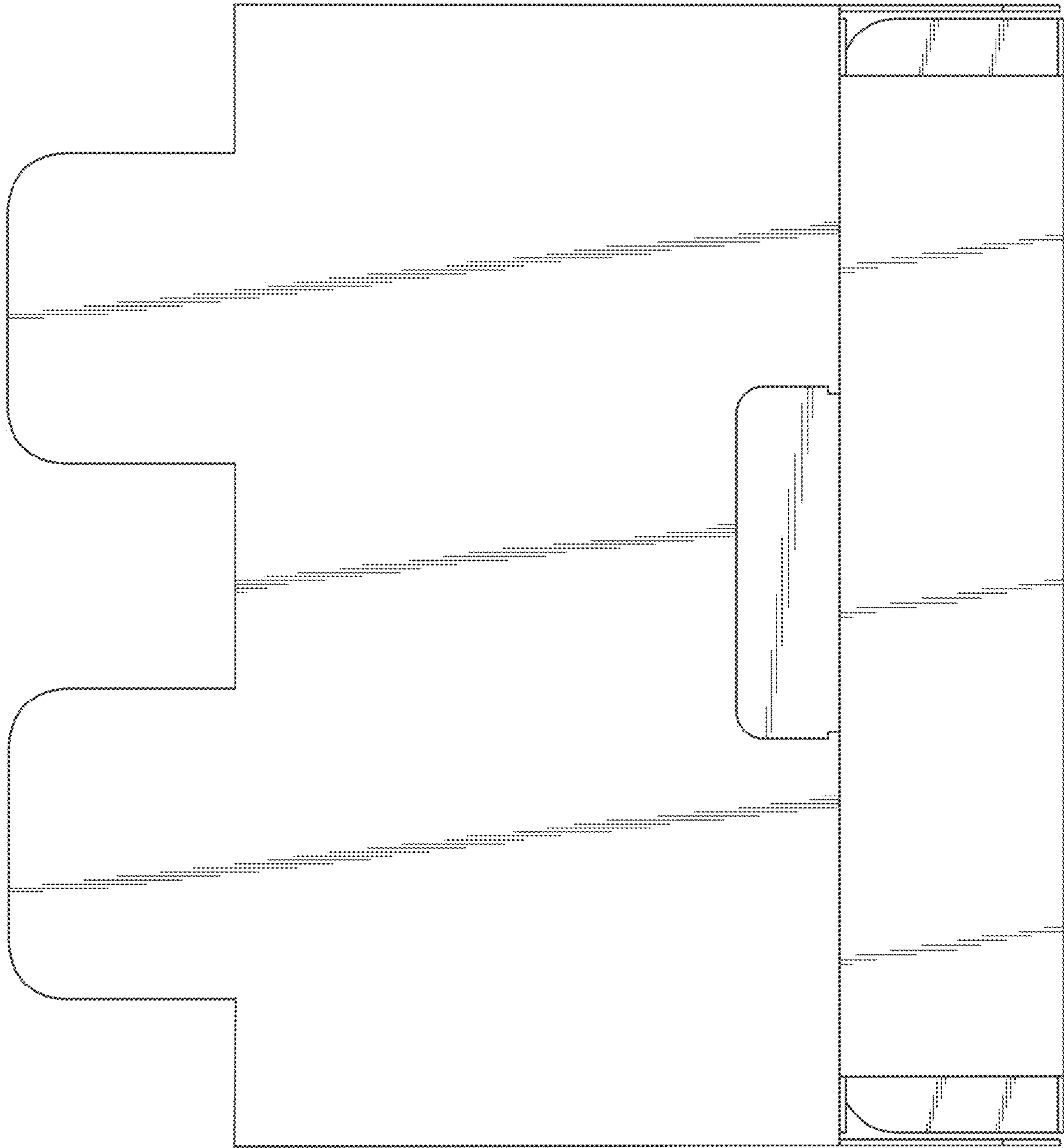


Fig. 2

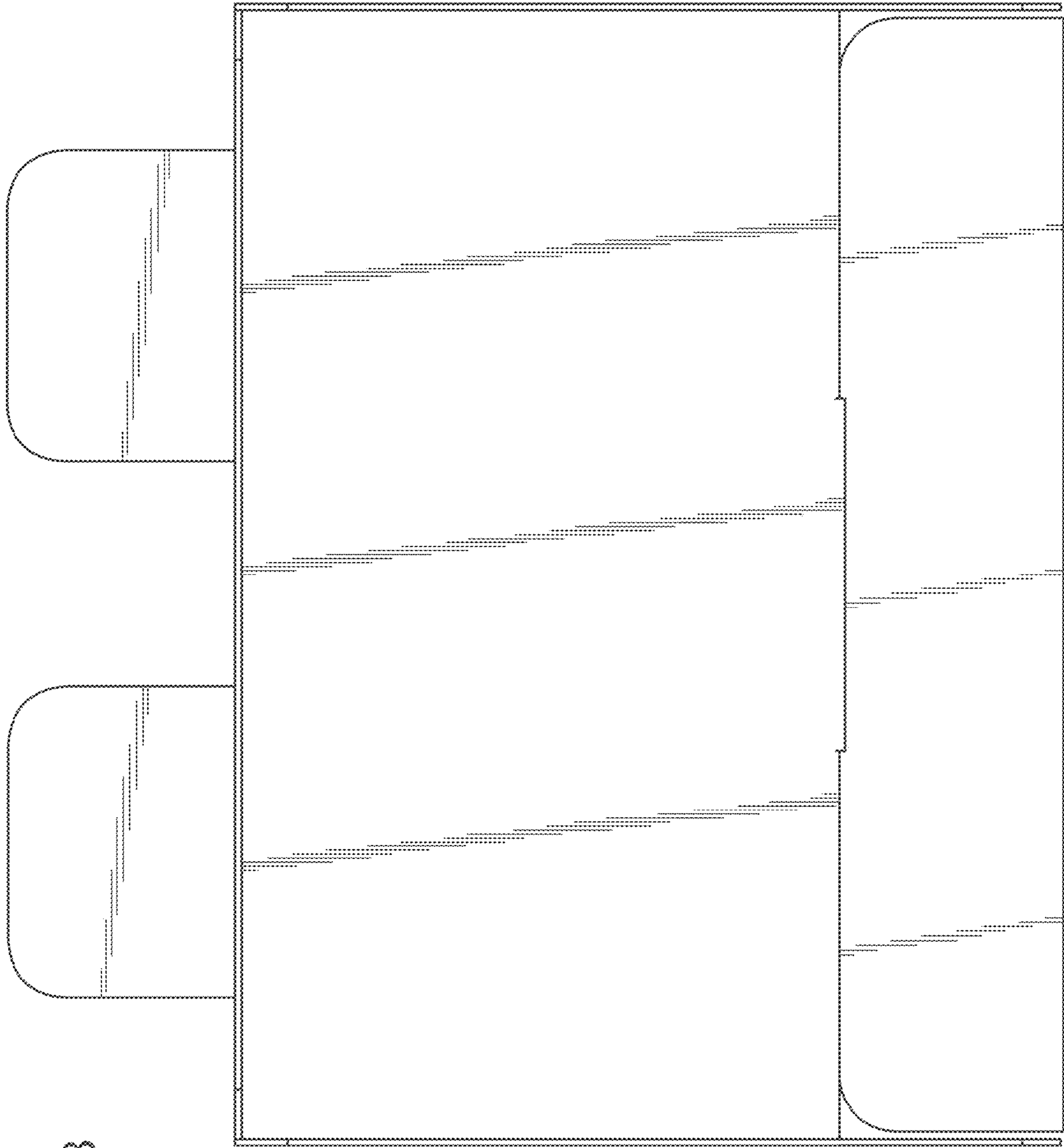


Fig. 3

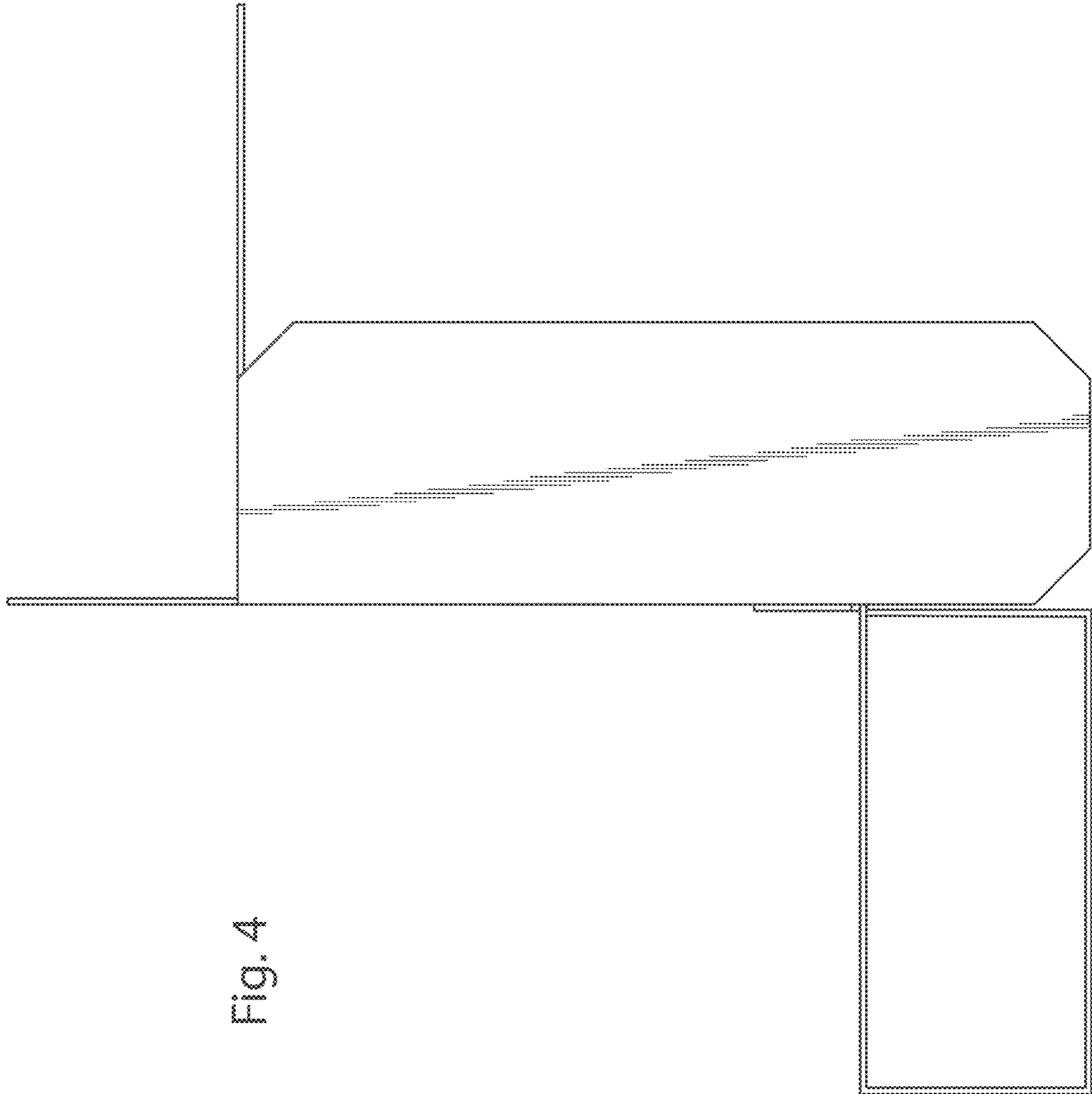


Fig. 4

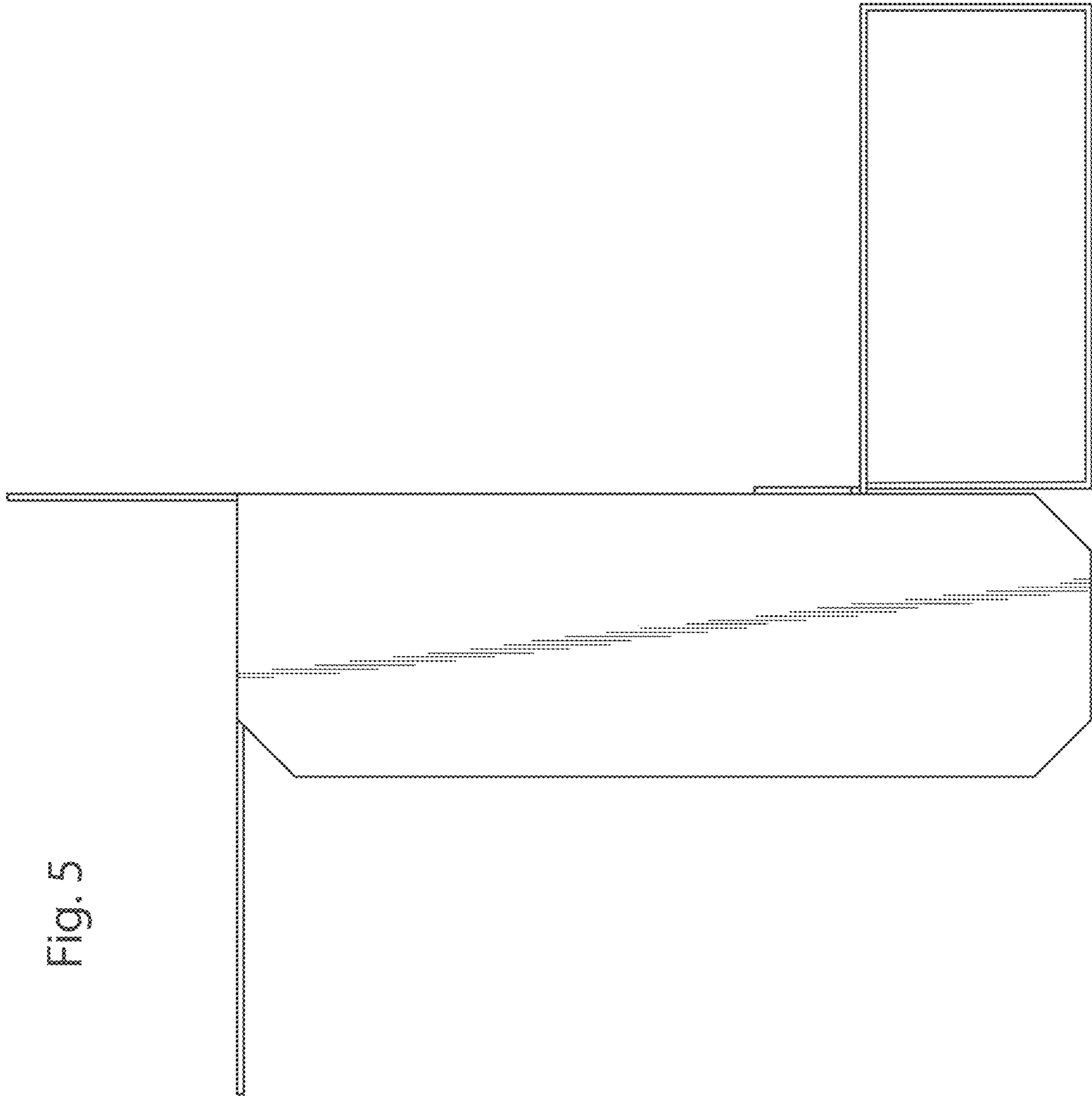


Fig. 5

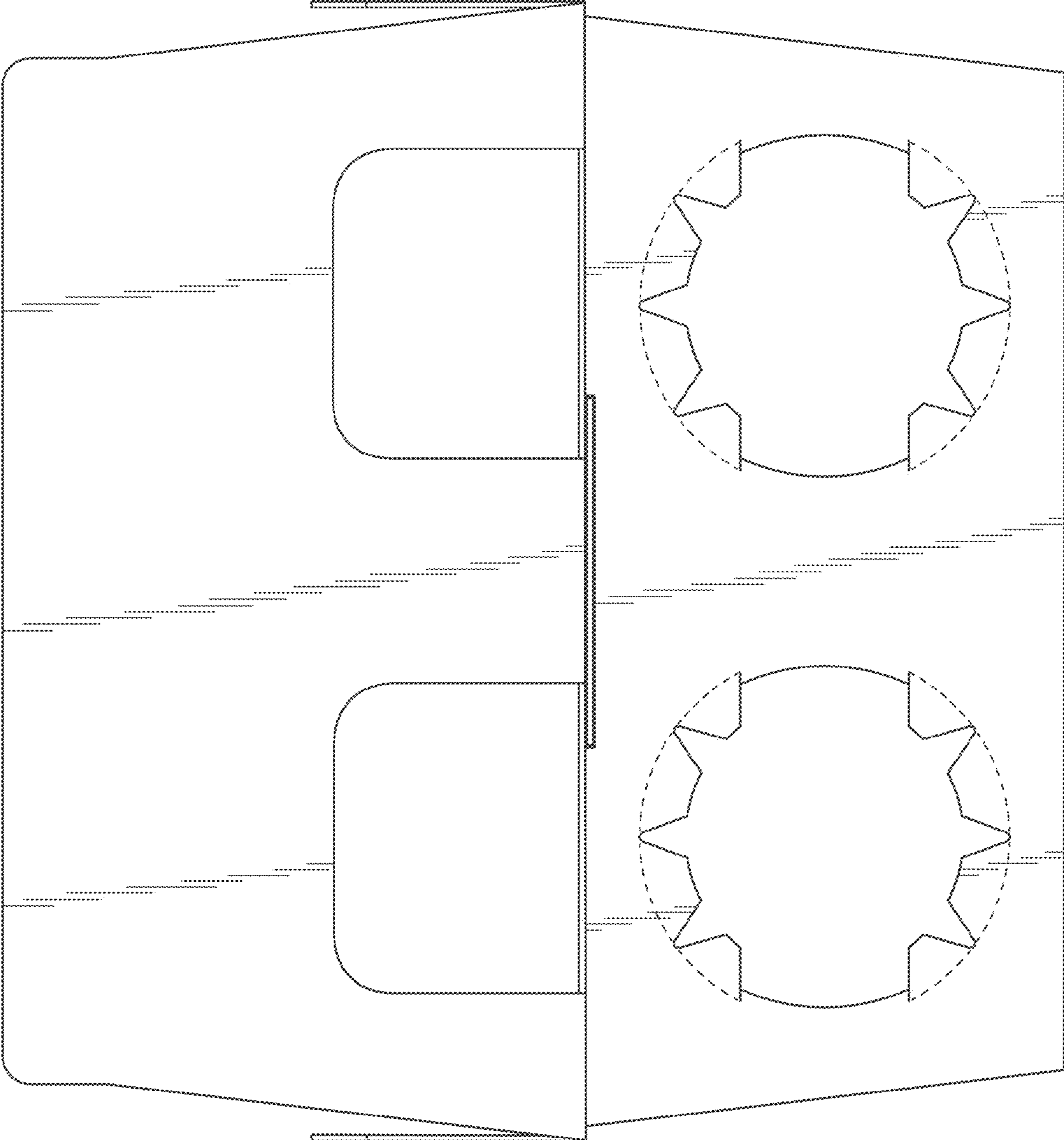


Fig. 6

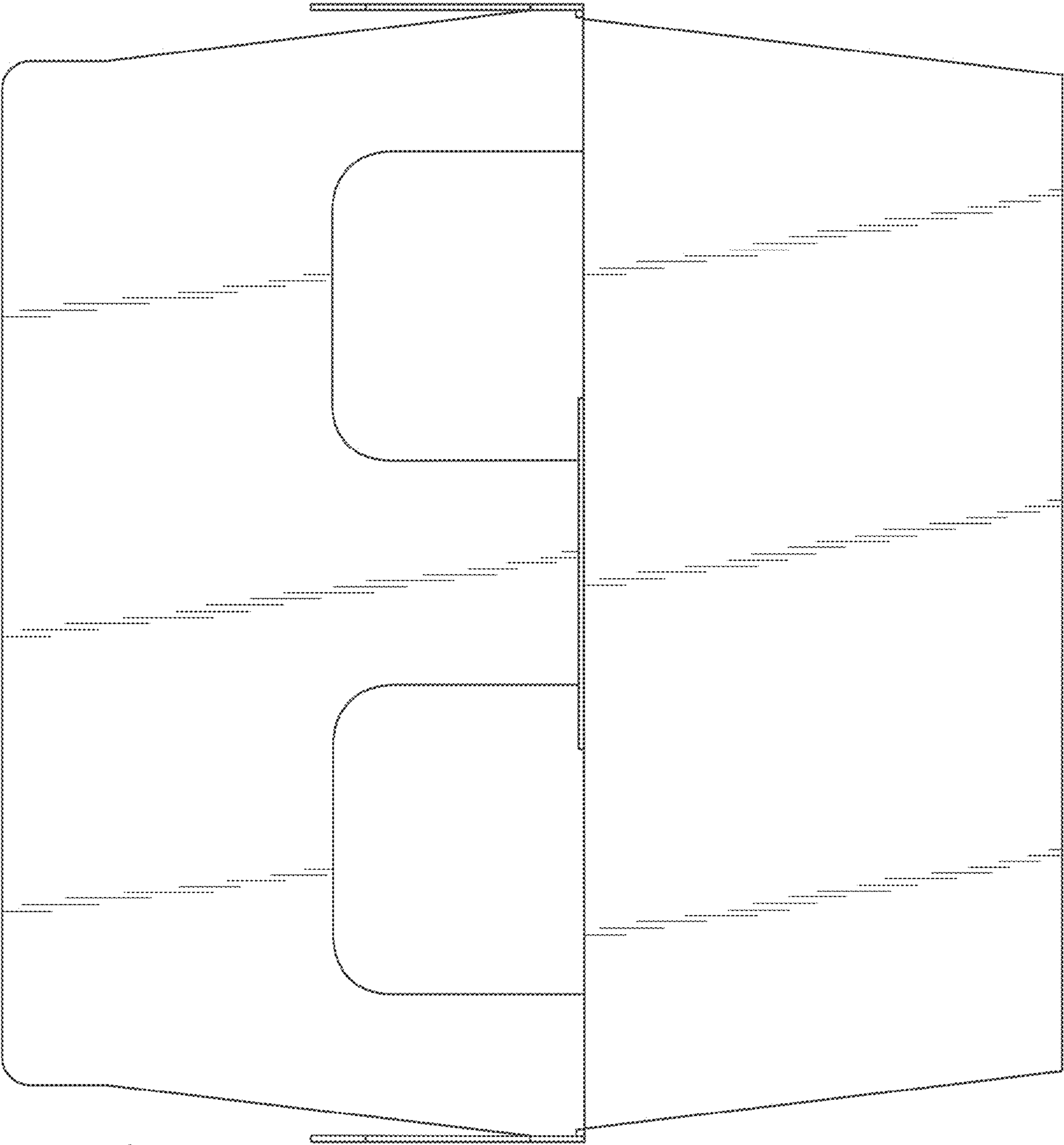


Fig. 7