



US00D881010S

(12) **United States Design Patent**
Meranus

(10) **Patent No.:** **US D881,010 S**
(45) **Date of Patent:** **** Apr. 14, 2020**

(54) **KITTY-THEMED PRODUCT CONTAINER**

(71) Applicant: **Margaret Spicer Meranus**, Cincinnati, OH (US)

(72) Inventor: **Margaret Spicer Meranus**, Cincinnati, OH (US)

(**) Term: **15 Years**

(21) Appl. No.: **29/660,347**

(22) Filed: **Aug. 20, 2018**

(51) **LOC (12) Cl.** **09-01**

(52) **U.S. Cl.**
USPC **D9/451**; D9/611

(58) **Field of Classification Search**
USPC D9/600–601, 607, 609–611, 500–503, D9/516, 619–521, 528, 532, 536, 443, D9/451; 206/457, 494, 459.5, 527, 540; 229/116.1; 215/381–384, 400; D7/514–521, 539, 544, 556, 571, 301, D7/579, 594, 604, 613, 619.2, 623, 625, D7/628, 391–392.1; D3/270–271.3; D21/617, 659; D11/49, 100; D28/79, D28/80, 85, 84
CPC B65D 67/00; B65D 81/36; B65D 81/60; B65D 81/368; B65D 2203/00; B65D 2203/02; B65D 5/42; B65D 5/4208; B65D 77/00; A63H 33/16
See application file for complete search history.

(56) **References Cited**

U.S. PATENT DOCUMENTS

D107,402 S * 12/1937 Bates D28/80
D170,459 S * 9/1953 Hamman D9/611
D302,941 S * 8/1989 Ferrero D9/611
D324,307 S * 3/1992 Lin D3/271.2
D347,573 S * 6/1994 Bishop D9/611
D424,424 S * 5/2000 Indelicato D9/611
D511,463 S * 11/2005 Wolters D9/611

D512,645 S * 12/2005 Wolters D9/611
D542,146 S * 5/2007 Wirtel D9/611
D616,760 S * 6/2010 Deurer D9/611
D628,492 S * 12/2010 Kim D9/611
D661,669 S * 6/2012 Henderson D3/271.2

(Continued)

Primary Examiner — Sandra L Morris

(74) *Attorney, Agent, or Firm* — Daniel F. Nesbitt; Hasse & Nesbitt LLC

(57) **CLAIM**

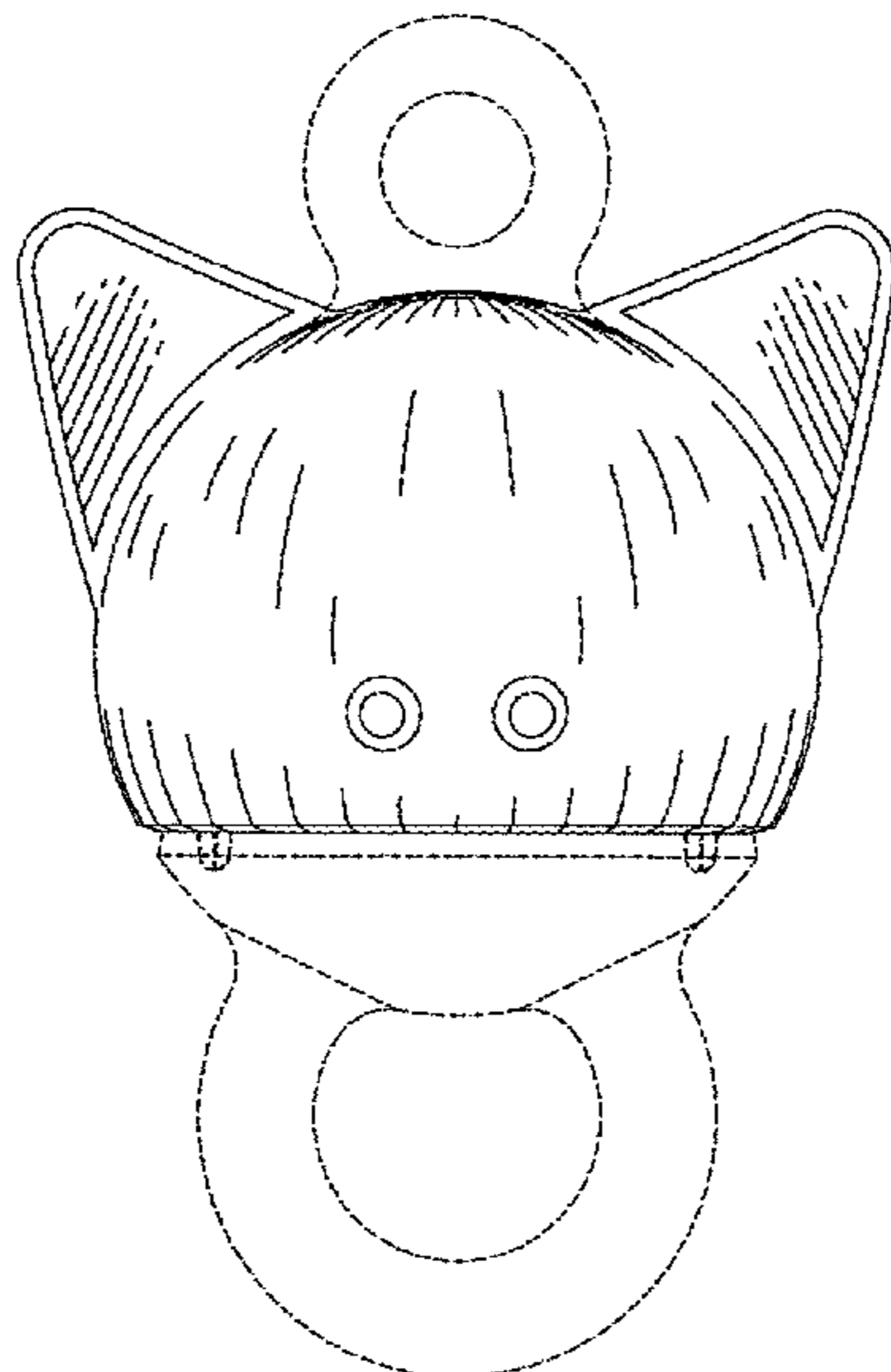
I claim the ornamental design for a kitty-themed product container, as shown and described.

DESCRIPTION

FIG. 1 is a top perspective view of a kitty-themed product container, having an upper cover and a lower base, shown in a closed configuration;
FIG. 2 is a lower perspective view thereof;
FIG. 3 is a front view thereof;
FIG. 4 is a rear view thereof;
FIG. 5 is a left view thereof, the right view being a mirror image;
FIG. 6 is a top view thereof; and
FIG. 7 is a bottom view thereof.
FIG. 8 is a top perspective view of a second embodiment of a kitty-themed product container, having an upper cover and a lower base, shown in an opened configuration;
FIG. 9 is a lower perspective view thereof;
FIG. 10 is a front view thereof;
FIG. 11 is a rear view thereof;
FIG. 12 is a left view thereof; the right view being a mirror image;
FIG. 13 is a top view thereof; and,
FIG. 14 is a bottom view thereof.

The dash-dash broken lines shown in the figures illustrate portions of the kitty-themed product container. The dash-dash broken lines form no part of the claimed design.

1 Claim, 6 Drawing Sheets



(56)

References Cited

U.S. PATENT DOCUMENTS

D743,805 S * 11/2015 Glass D9/611
D789,211 S * 6/2017 Ohana D9/611
D799,975 S * 10/2017 Anvaripour D9/532

* cited by examiner

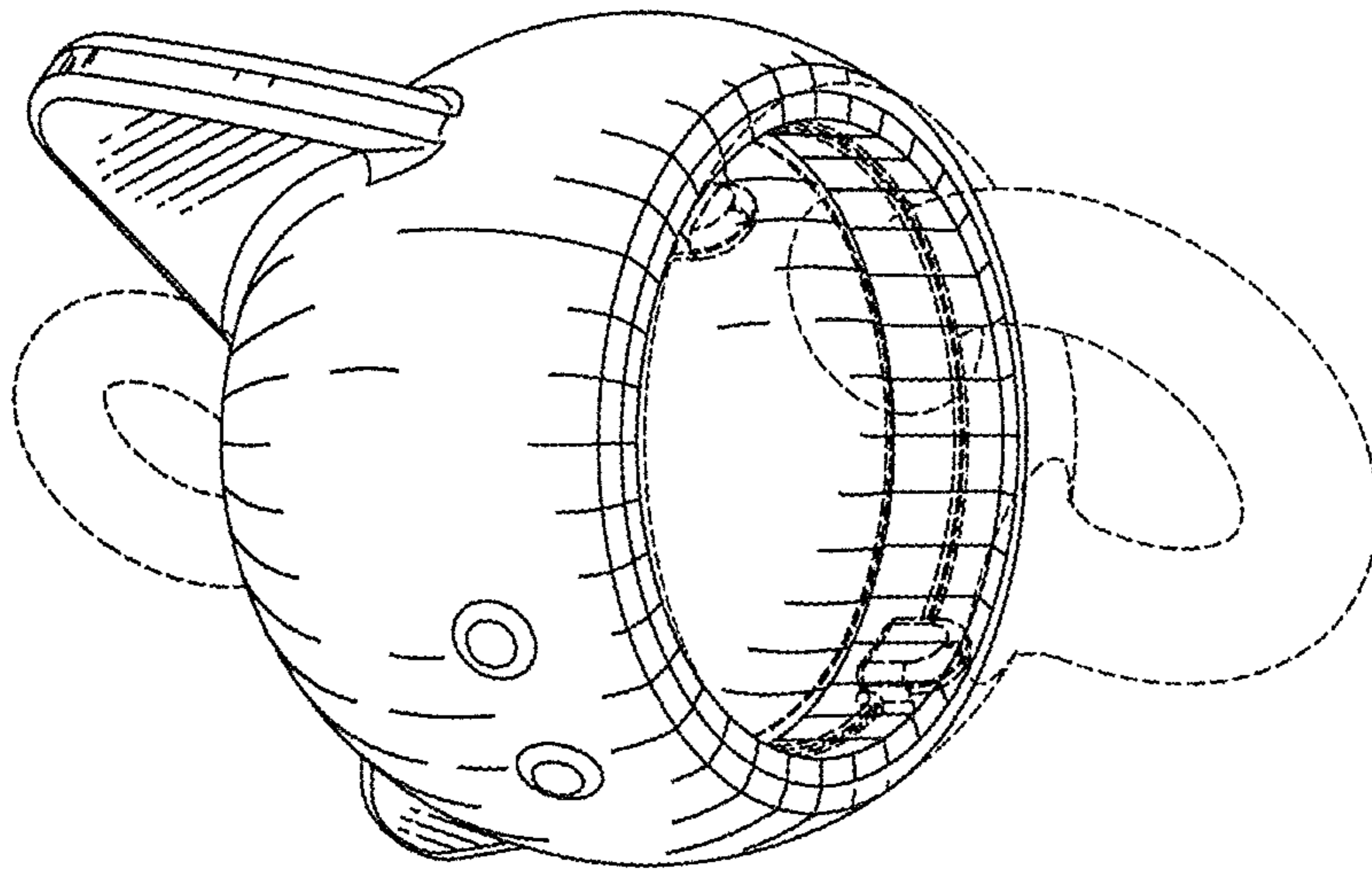


FIG. 2

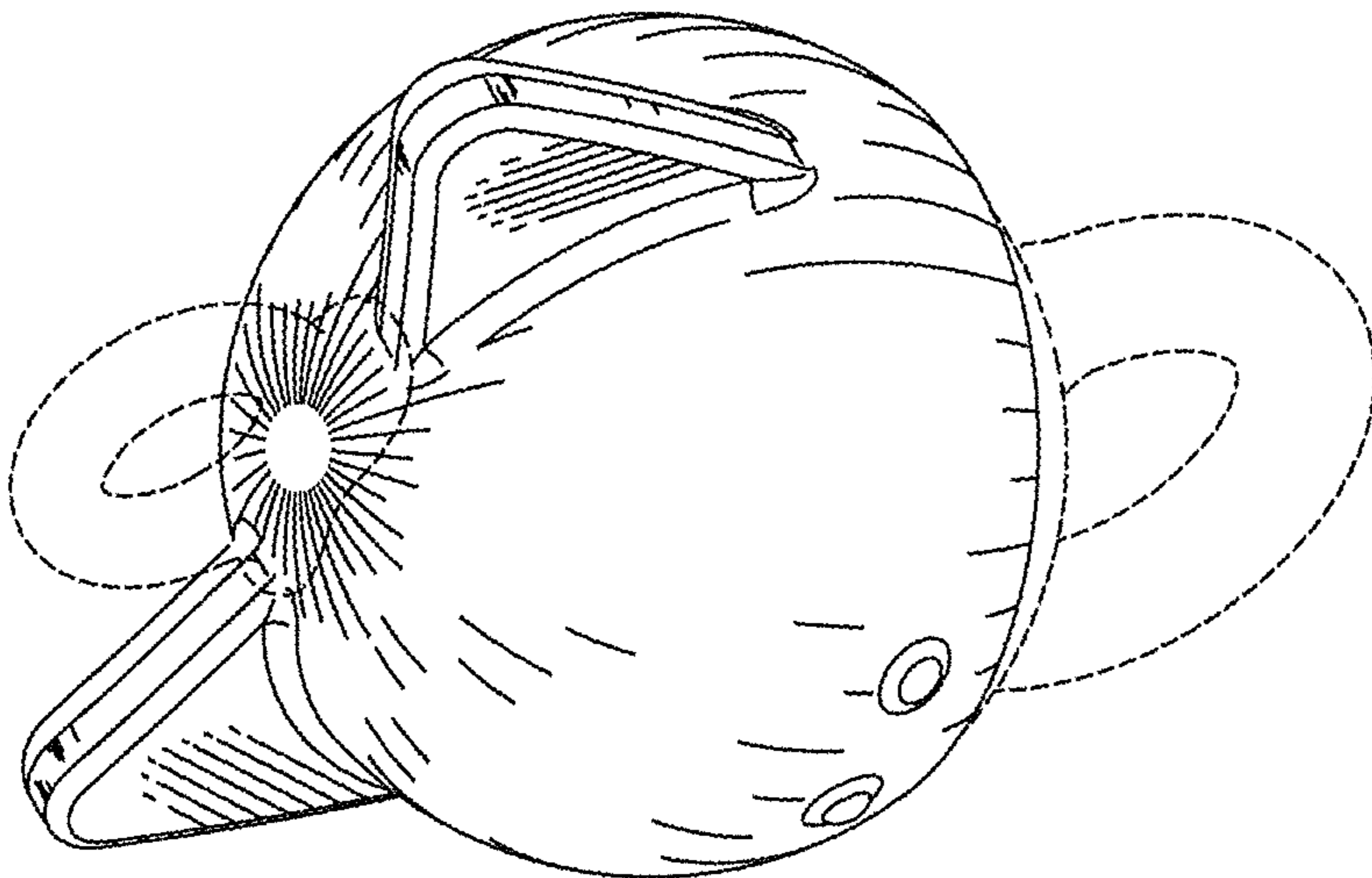


FIG. 1

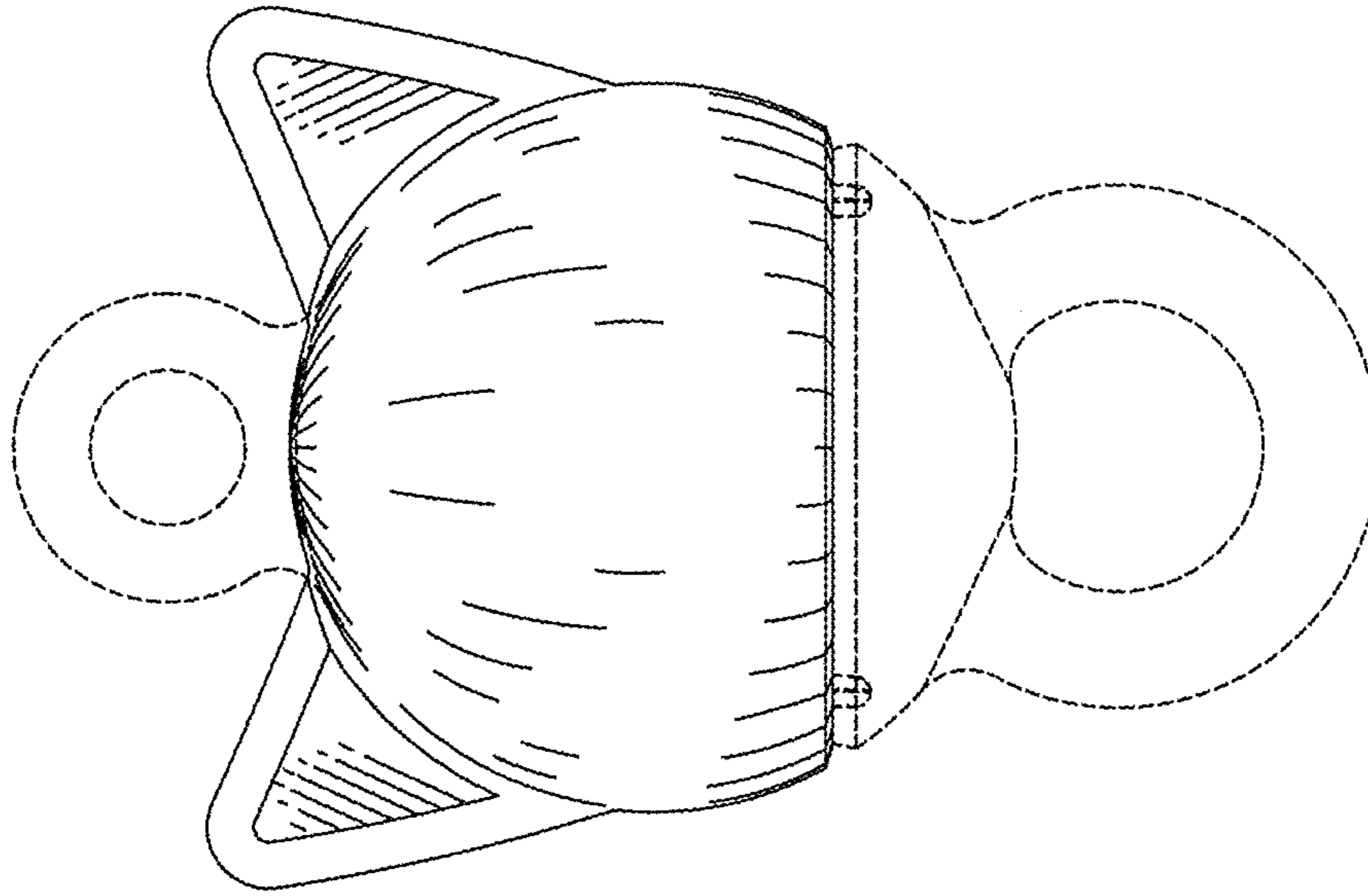


FIG. 4

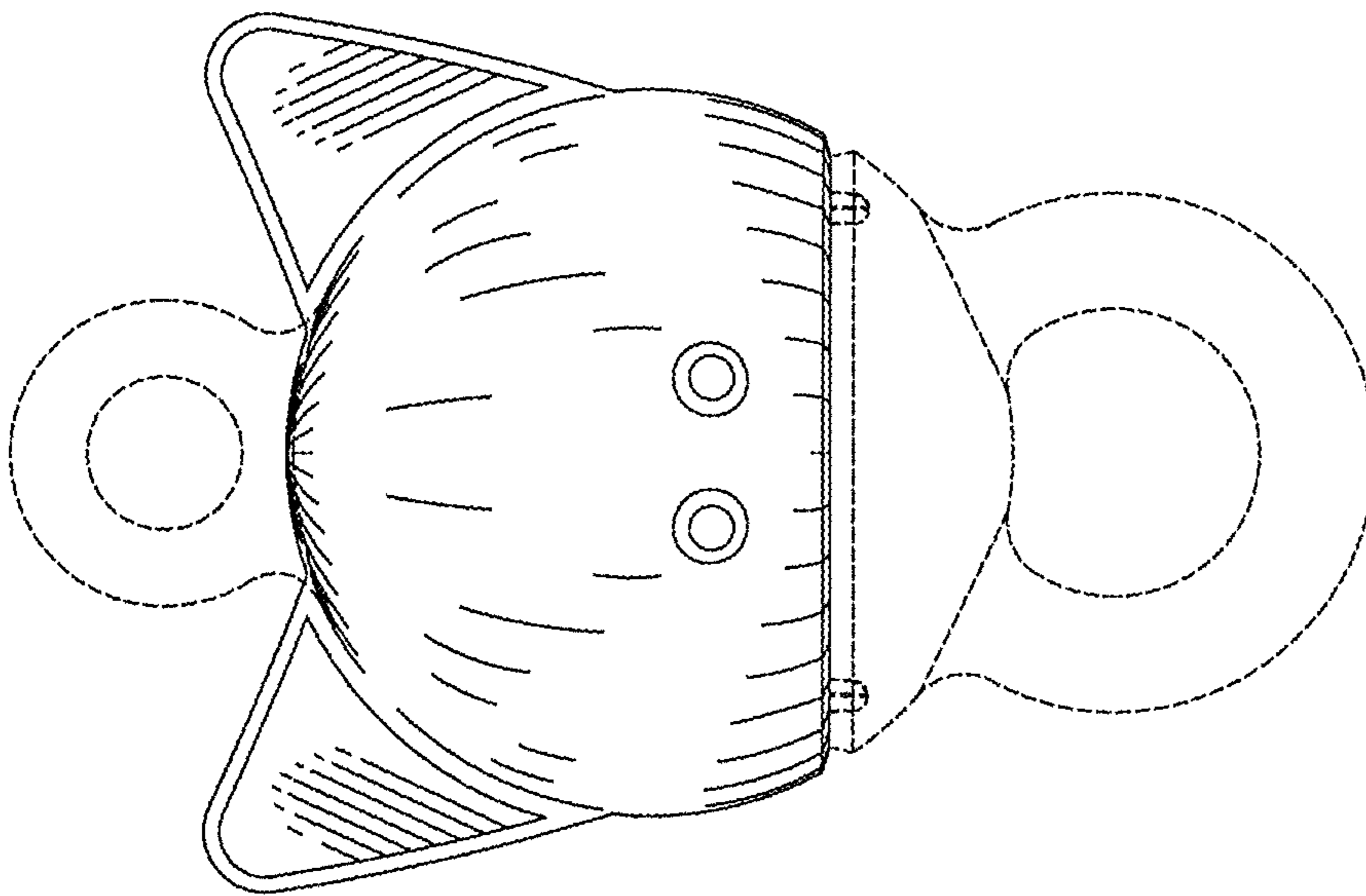


FIG. 3

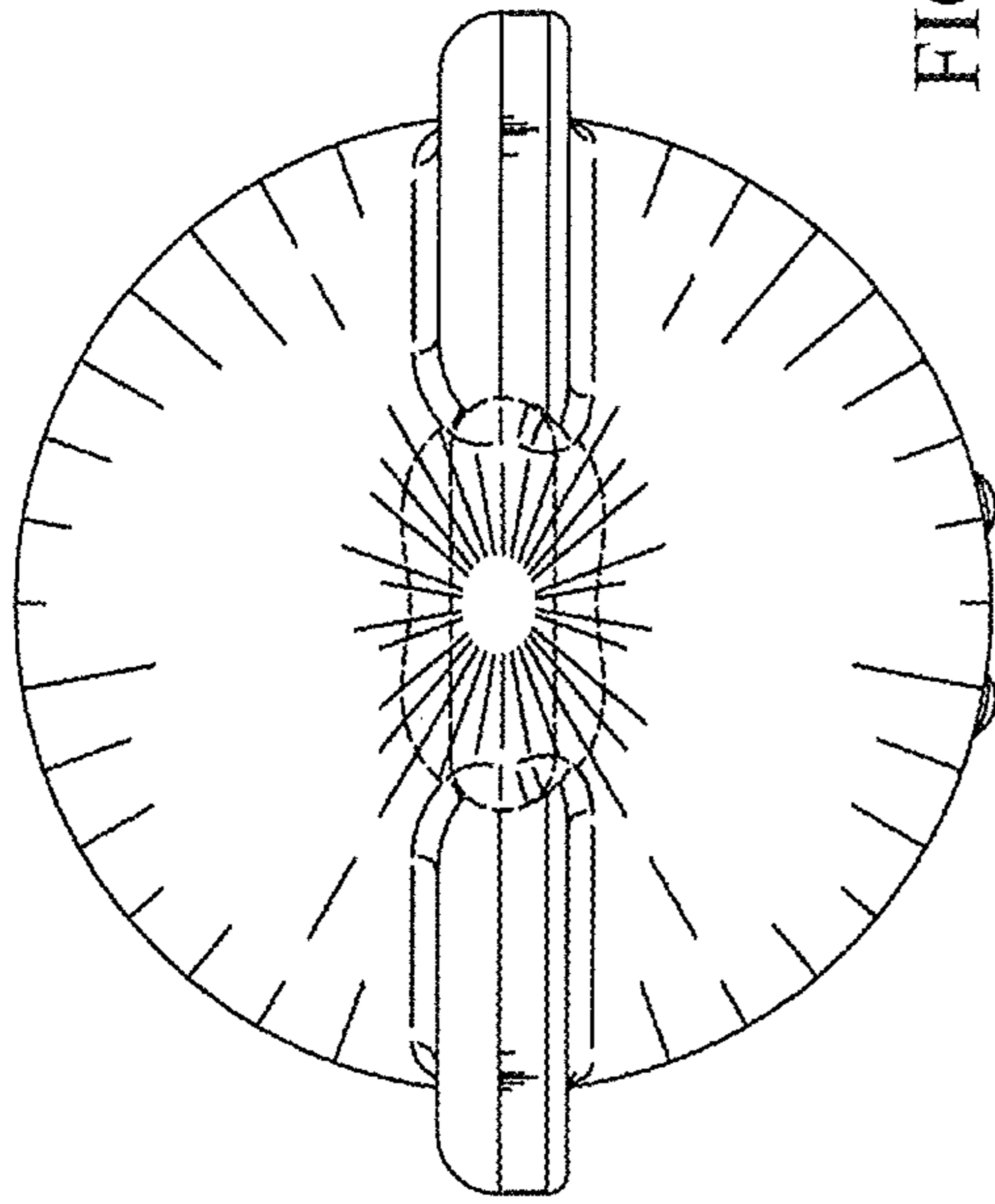


FIG. 6

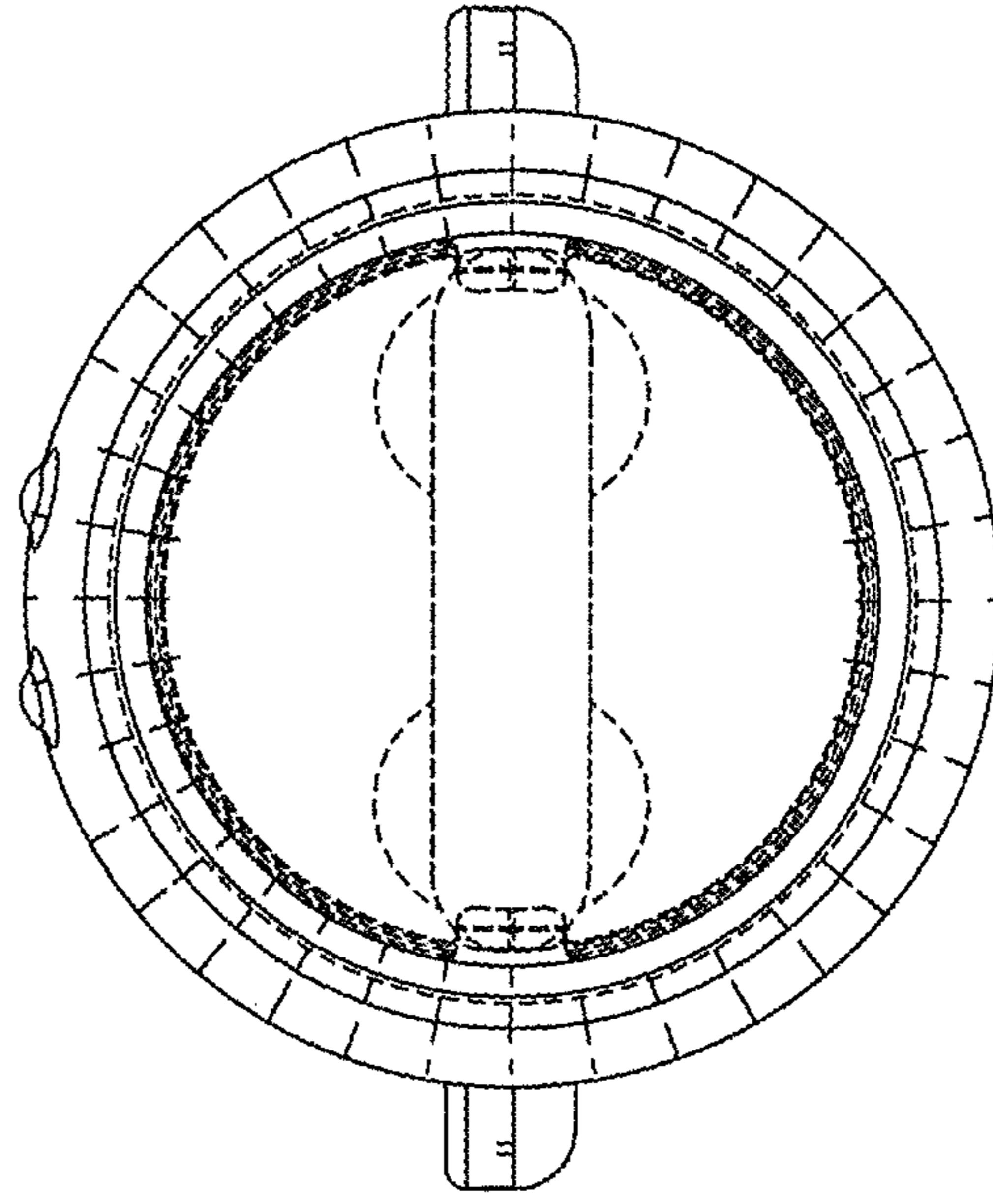


FIG. 7

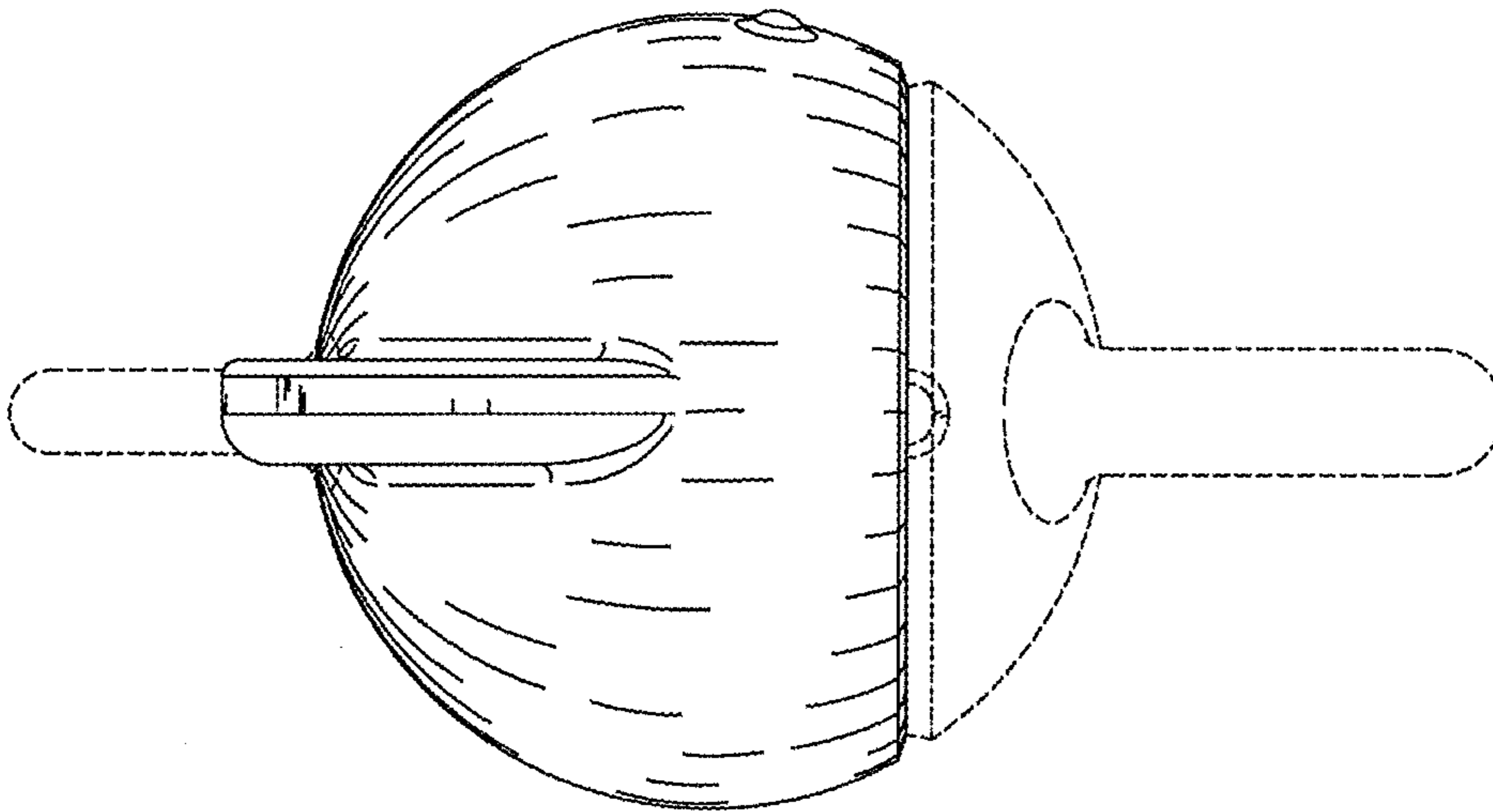


FIG. 5

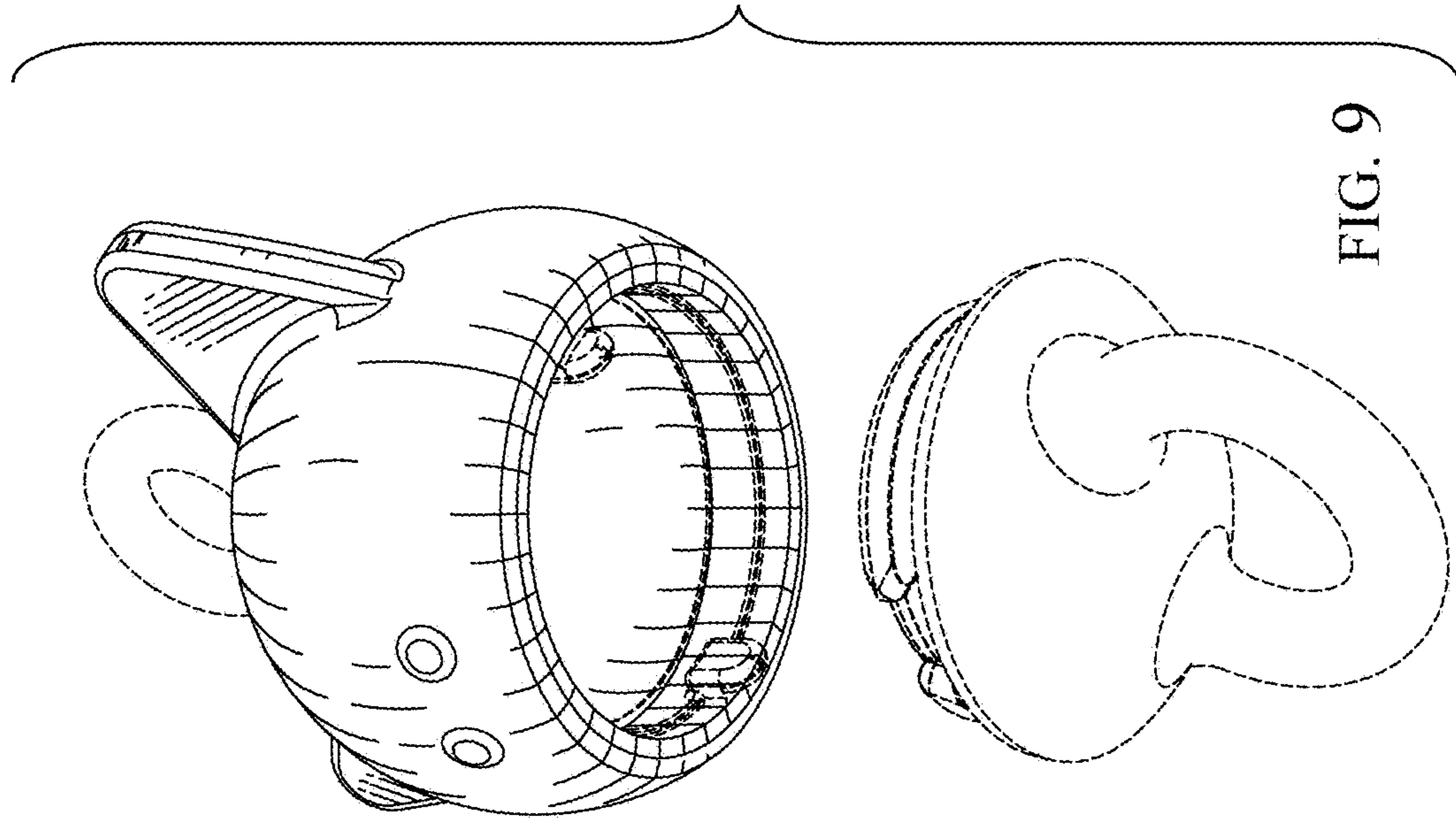


FIG. 9

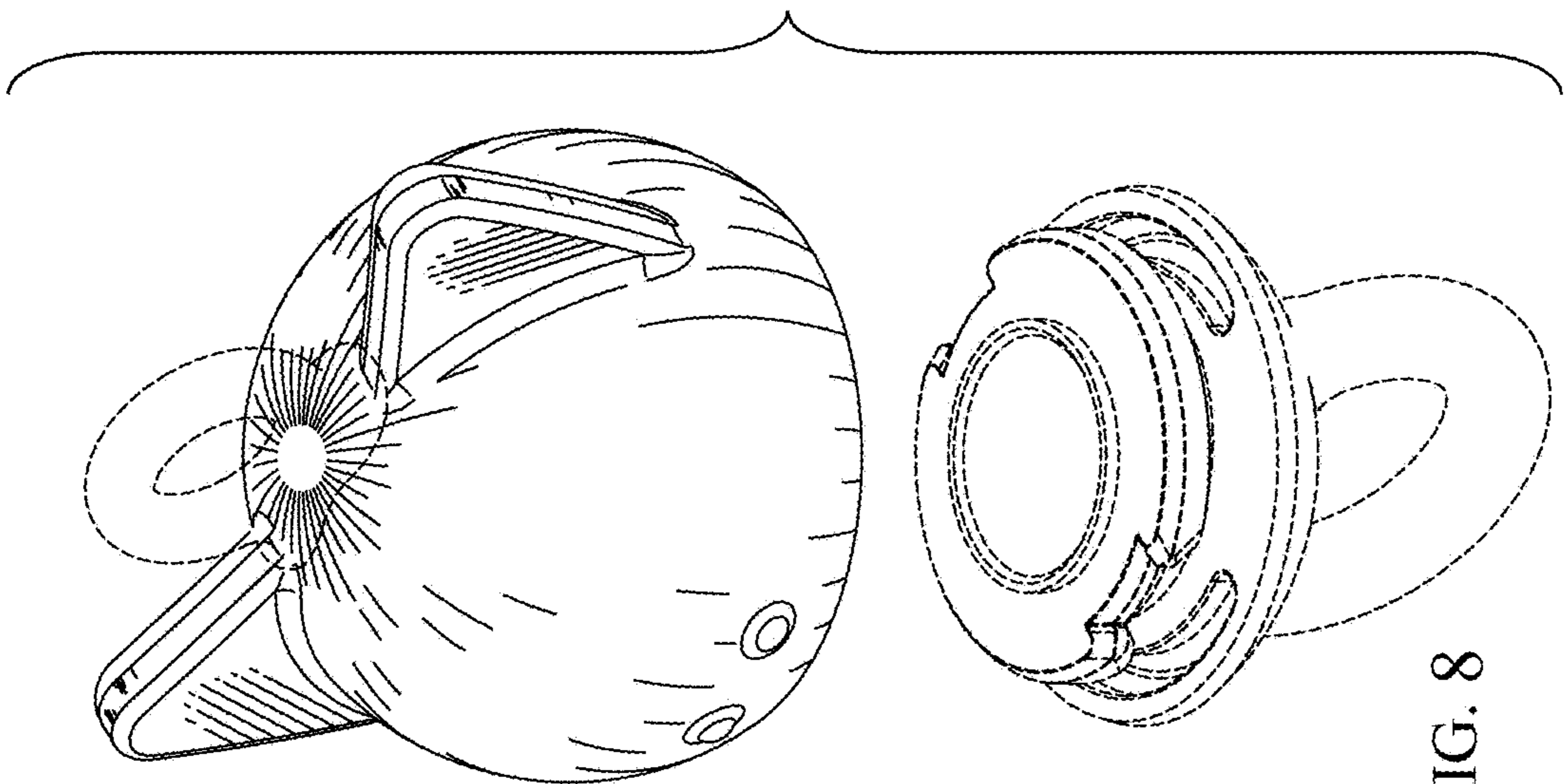


FIG. 8

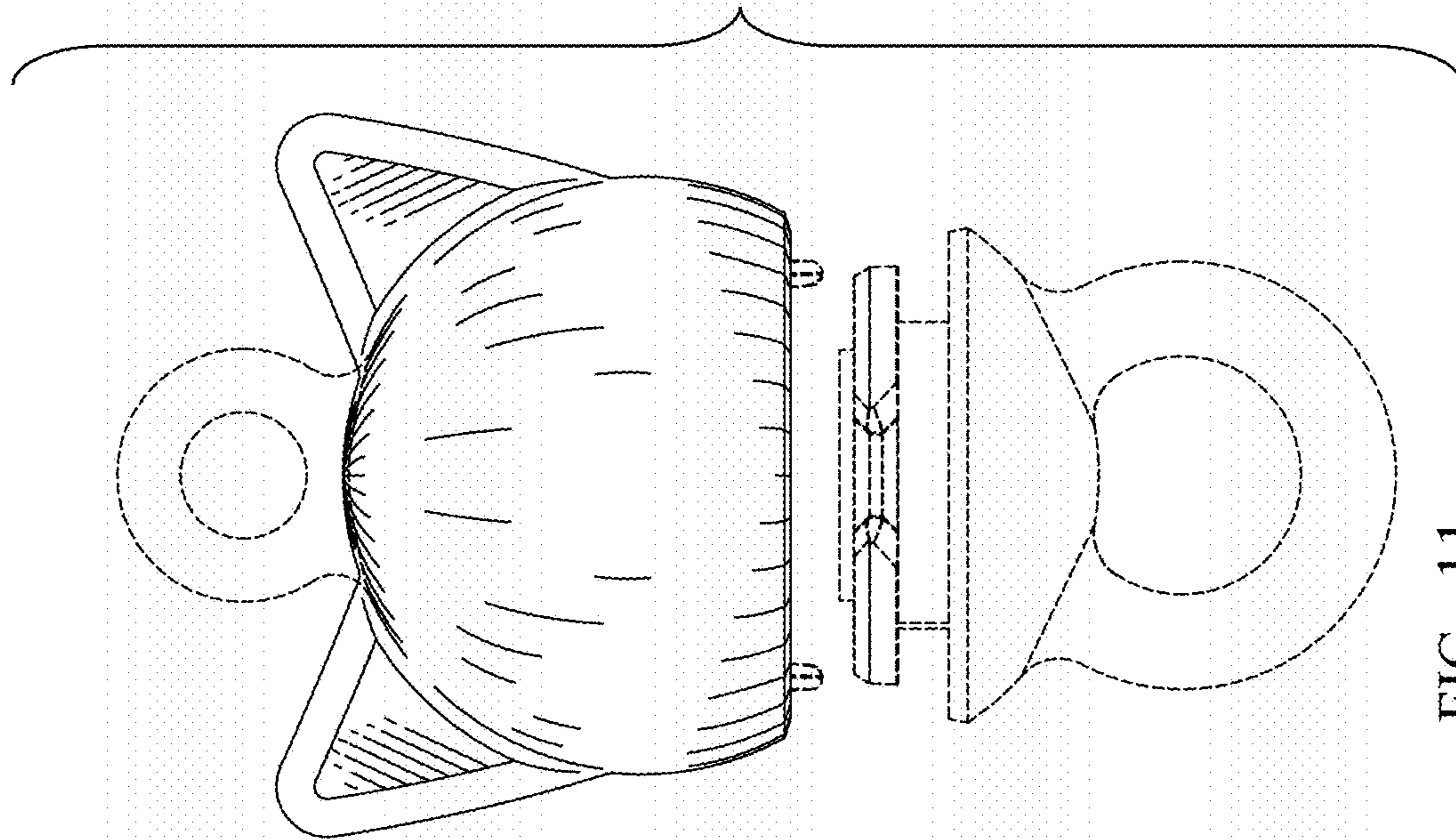


FIG. 11

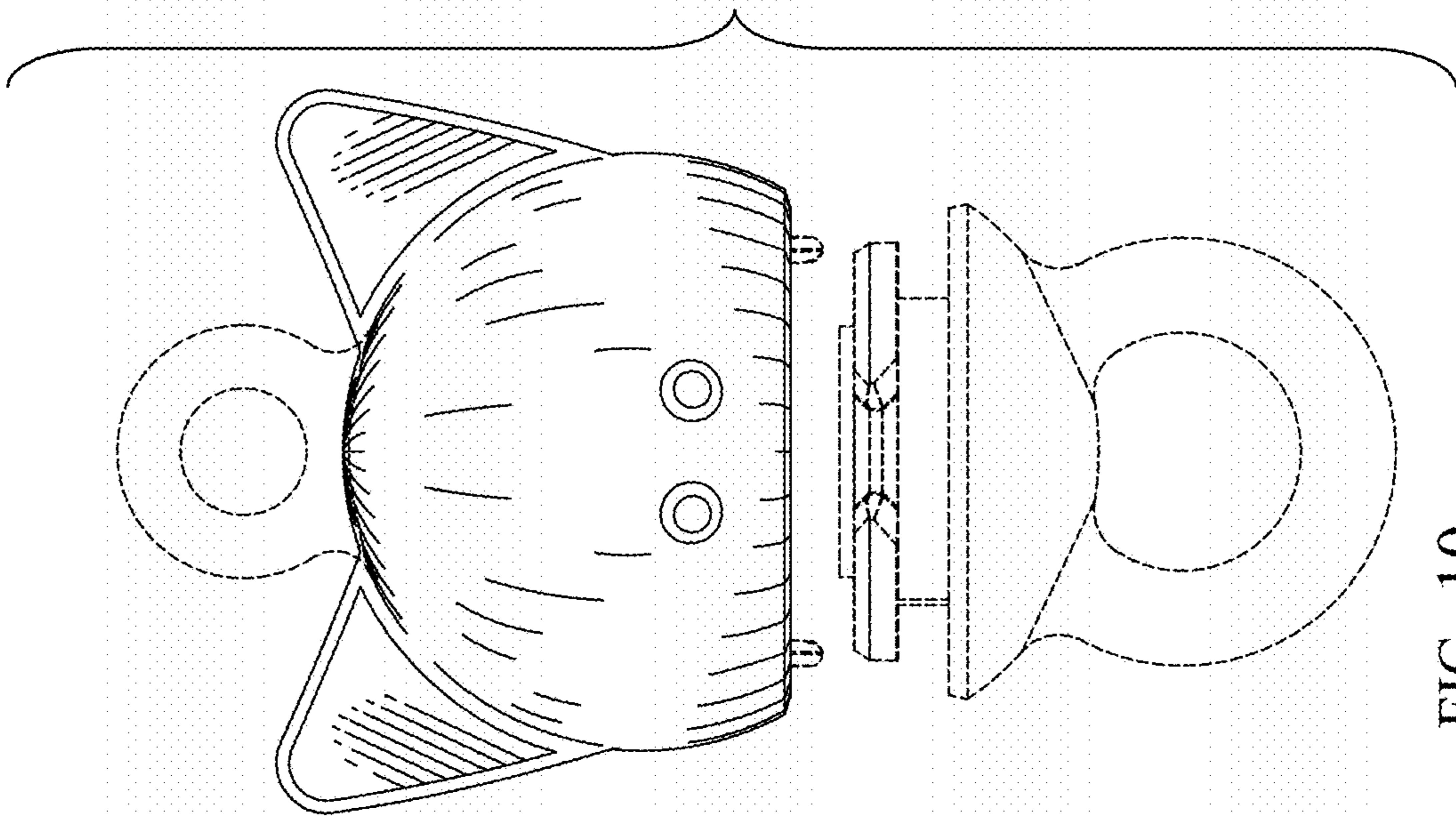


FIG. 10

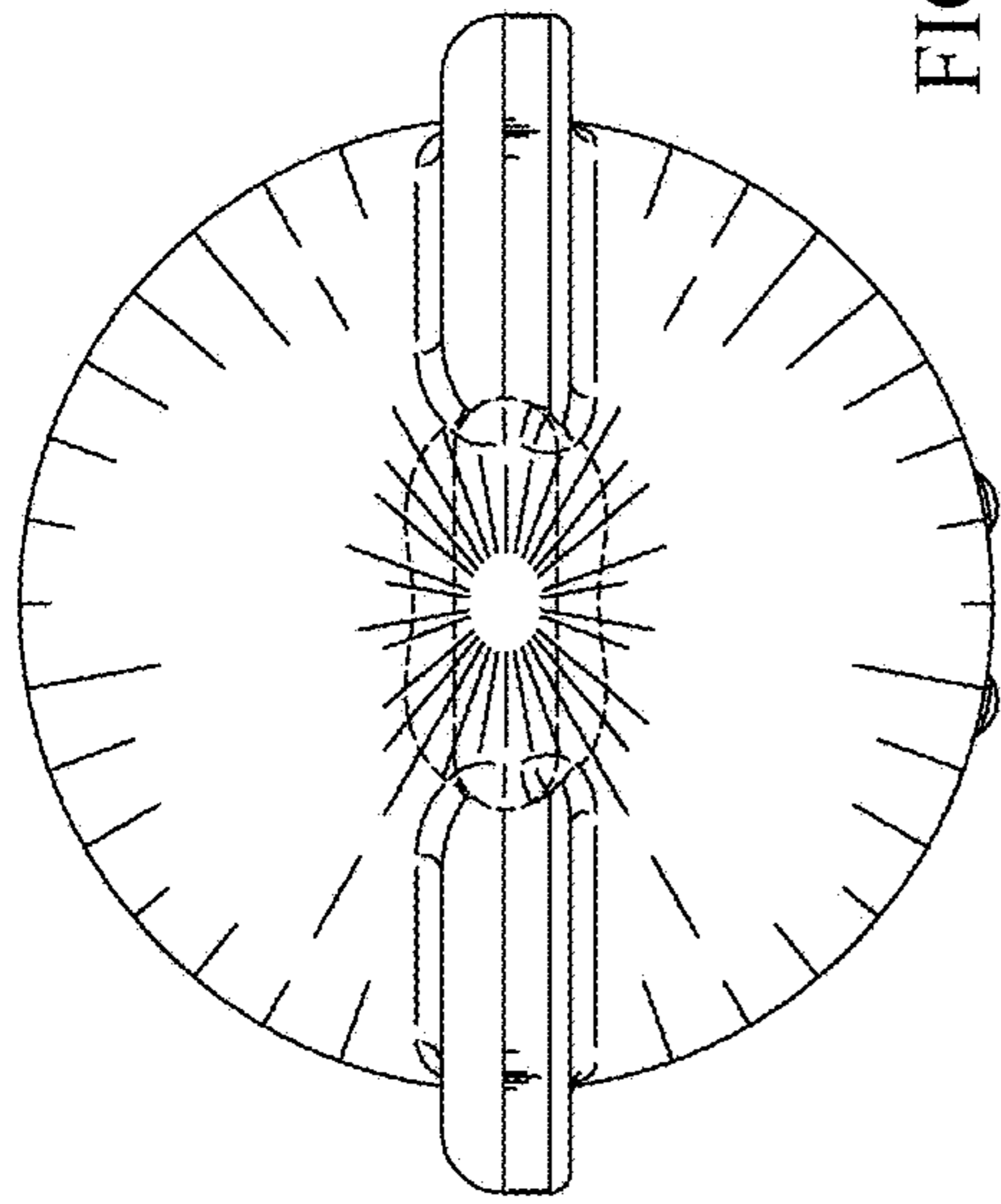


FIG. 13

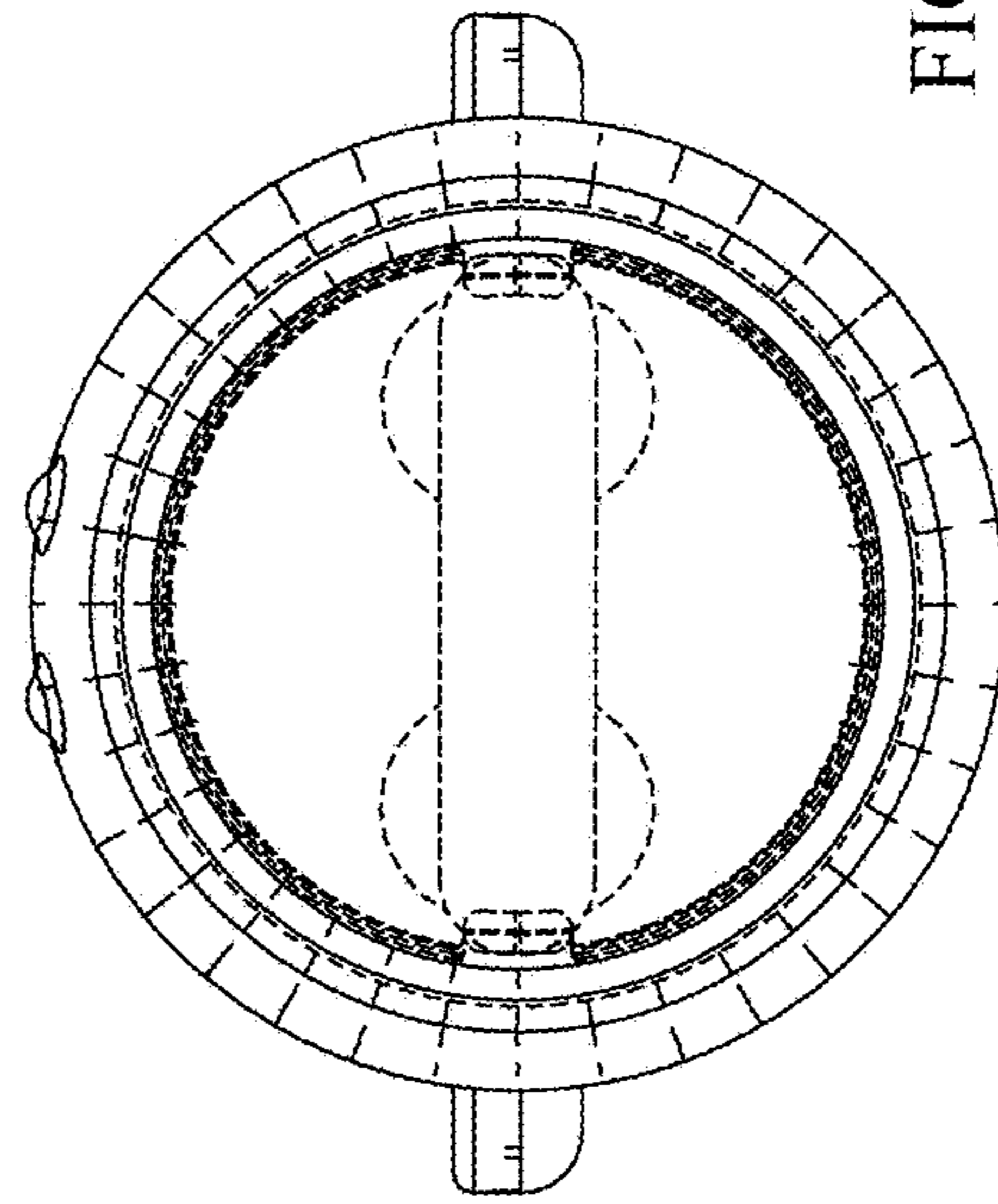


FIG. 14

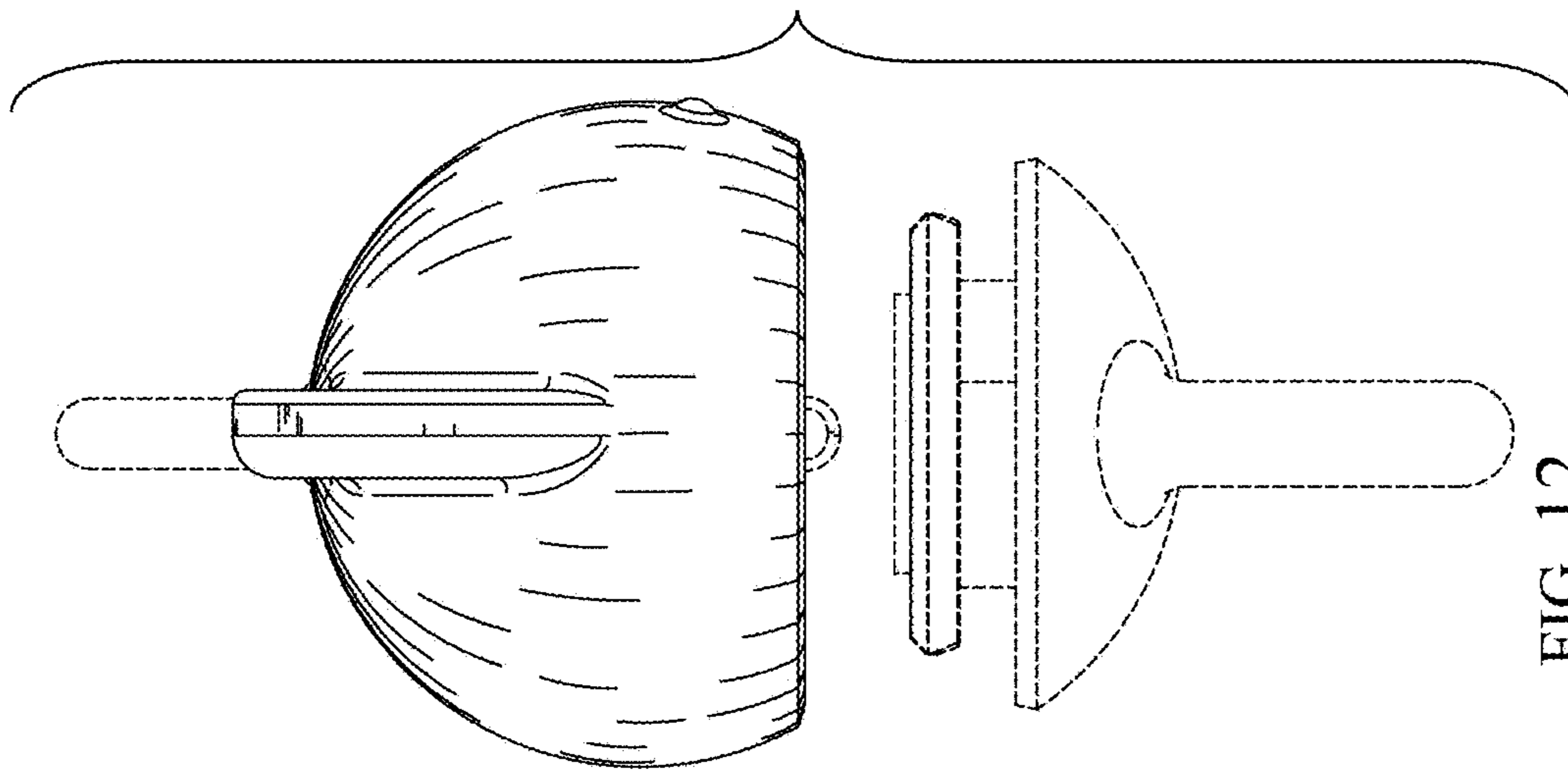


FIG. 12