



US00D881009S

(12) **United States Design Patent** (10) **Patent No.:** **US D881,009 S**
Meranus (45) **Date of Patent:** **** Apr. 14, 2020**

(54) **PUPPY-THEMED PRODUCT CONTAINER**

(71) Applicant: **Margaret Spicer Meranus**, Cincinnati, OH (US)

(72) Inventor: **Margaret Spicer Meranus**, Cincinnati, OH (US)

(**) Term: **15 Years**

(21) Appl. No.: **29/660,303**

(22) Filed: **Aug. 20, 2018**

(51) **LOC (12) Cl.** **09-01**

(52) **U.S. Cl.**
USPC **D9/451**; D9/609

(58) **Field of Classification Search**
USPC D9/600-601, 607, 609-611, 500-503, D9/516, 619-521, 528, 532, 536, 443, D9/451; 206/457, 494, 459.5, 527, 540; 229/116.1; 215/381-384, 400; D7/514-521, 539, 544, 556, 571, 301, D7/579, 594, 604, 613, 619.2, 623, 625, D7/628, 391-392.1; D3/270-271.3; D21/611, 659; D11/49, 100; D28/79, D28/80, 85, 84
CPC B65D 67/00; B65D 81/36; B65D 81/60; B65D 81/368; B65D 2203/00; B65D 2203/02; B65D 5/42; B65D 5/4208; B65D 77/00; A63H 33/16
See application file for complete search history.

(56) **References Cited**

U.S. PATENT DOCUMENTS

- D199,417 S * 10/1964 Katz D9/611
- 4,593,817 A * 6/1986 Ferrero B65D 81/365
- D9/609
- D313,118 S * 12/1990 Maddocks D9/609
- D316,812 S * 5/1991 Ferrero D9/609
- D324,307 S * 3/1992 Lin D3/271.2

- D416,479 S * 11/1999 Indelicato D9/609
- D512,644 S * 12/2005 Wolters D9/609
- D588,457 S * 3/2009 McGuinness D9/609
- D661,669 S * 6/2012 Henderson D3/271.2
- D726,975 S * 4/2015 Kim D9/607

(Continued)

Primary Examiner — Sandra L Morris

(74) *Attorney, Agent, or Firm* — Daniel F. Nesbitt; Hasse & Nesbitt LLC

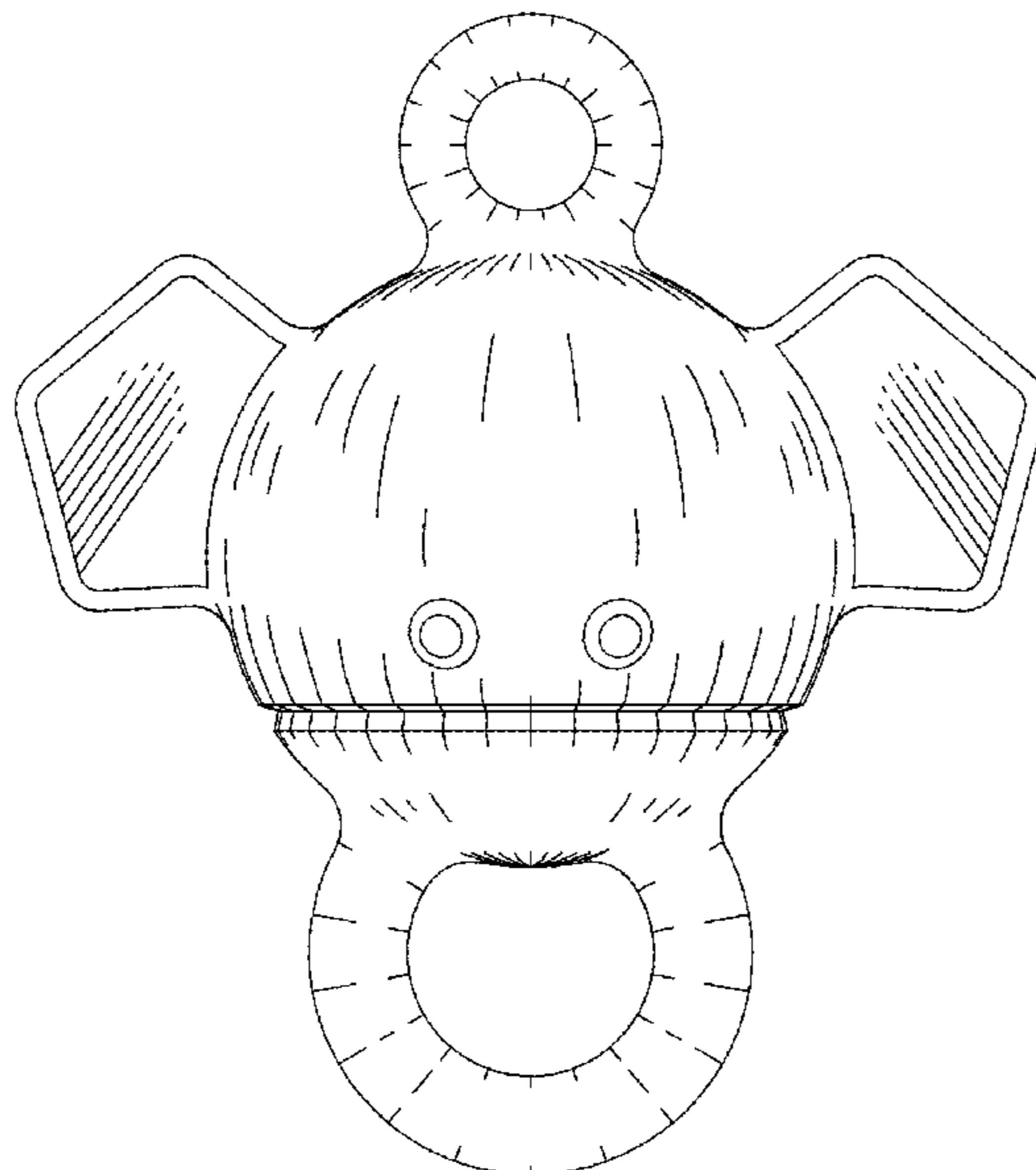
(57) **CLAIM**

I claim the ornamental design for a puppy-themed product container, as shown and described.

DESCRIPTION

FIG. 1 is a top perspective view of a puppy-themed product container, having an upper cover and a lower base, shown in a closed configuration;
 FIG. 2 is a lower perspective view thereof;
 FIG. 3 is a front view thereof;
 FIG. 4 is a rear view thereof;
 FIG. 5 is a left view thereof, the right view being a mirror image;
 FIG. 6 is a top view thereof; and
 FIG. 7 is a bottom view thereof.
 FIG. 8 is a top perspective view of a second embodiment of a puppy-themed product container, having an upper cover and a lower base, shown in an opened configuration;
 FIG. 9 is a lower perspective view thereof;
 FIG. 10 is a front view thereof;
 FIG. 11 is a rear view thereof;
 FIG. 12 is a left view thereof, the right view being a mirror image;
 FIG. 13 is a top view thereof; and
 FIG. 14 is a bottom view thereof.
 The dash-dash broken lines shown in the figures illustrate portions of the puppy-themed product container. The dash-dash broken lines form no part of the claimed design.

1 Claim, 6 Drawing Sheets



(56)

References Cited

U.S. PATENT DOCUMENTS

D743,804 S * 11/2015 Glass A45C 1/12
D9/609
D799,975 S * 10/2017 Anvaripour D9/532

* cited by examiner

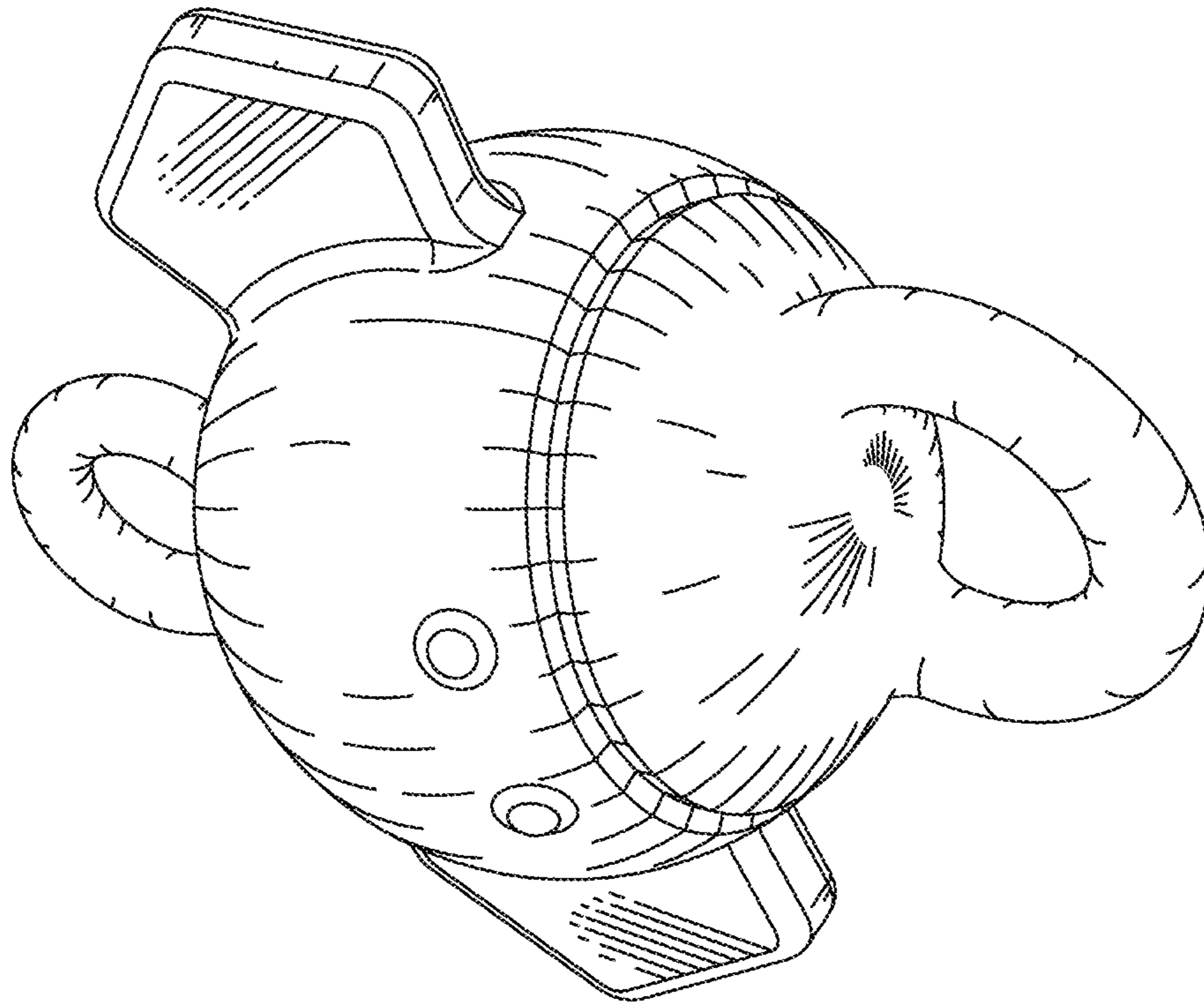


FIG. 1

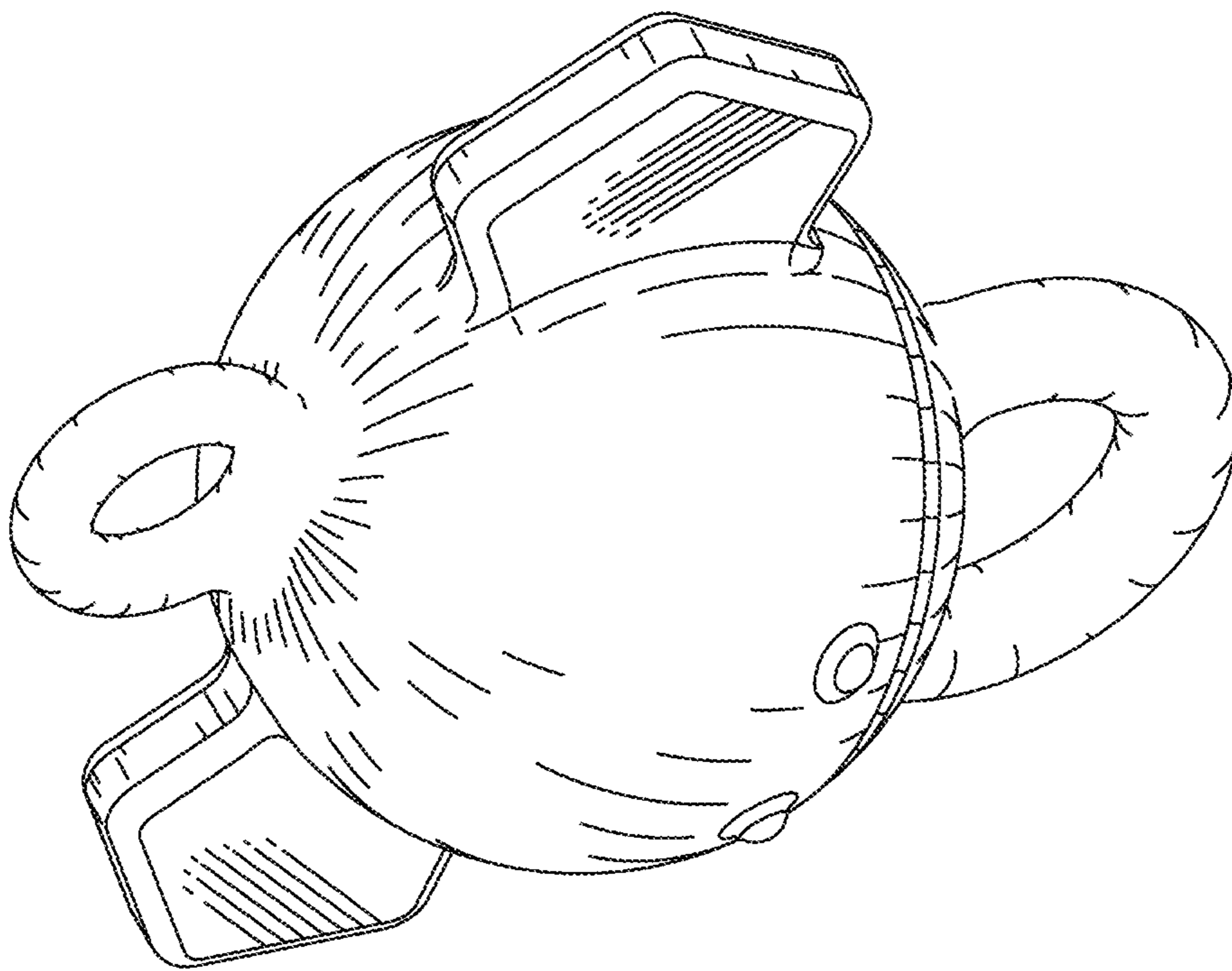


FIG. 2

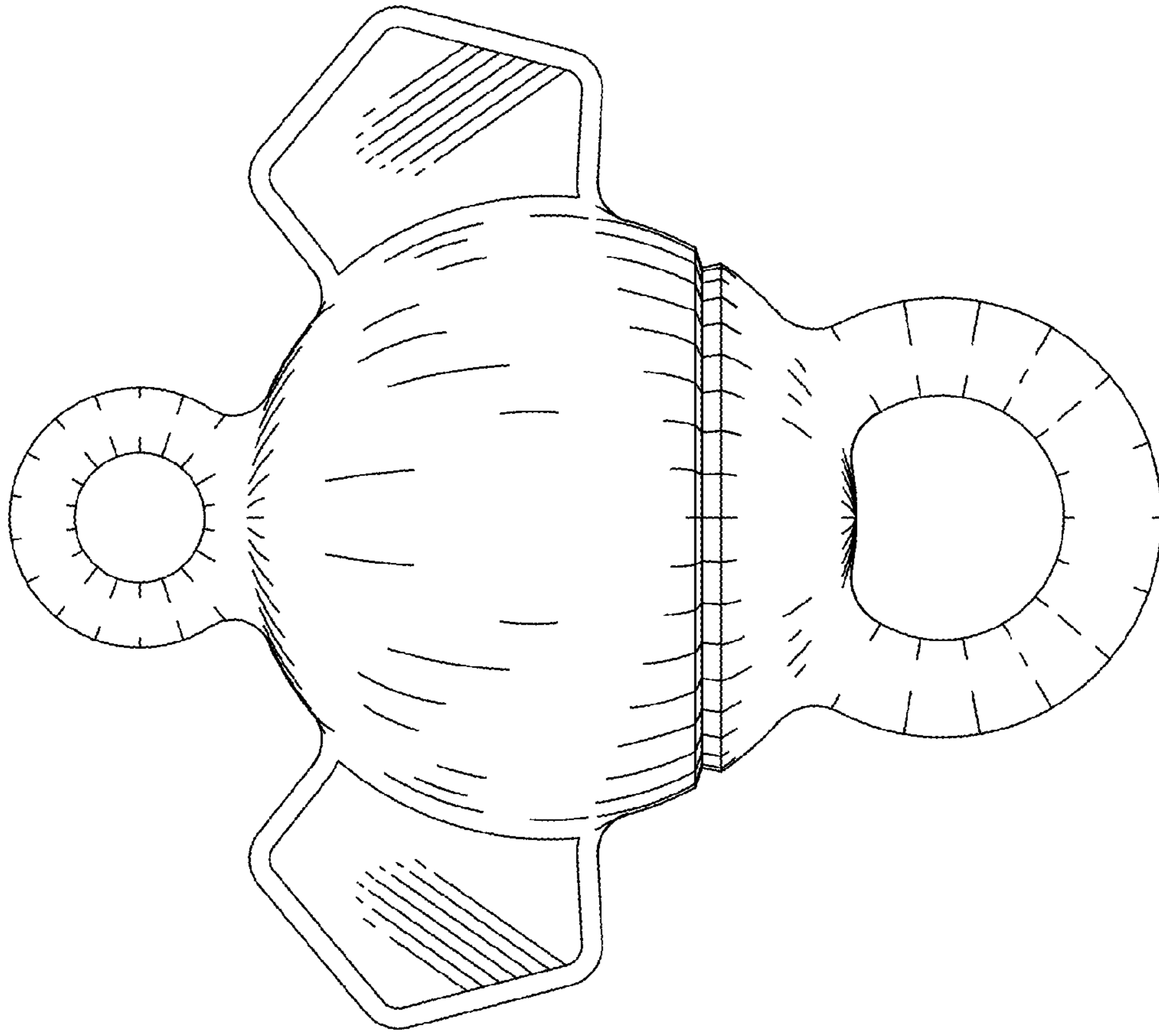


FIG. 4

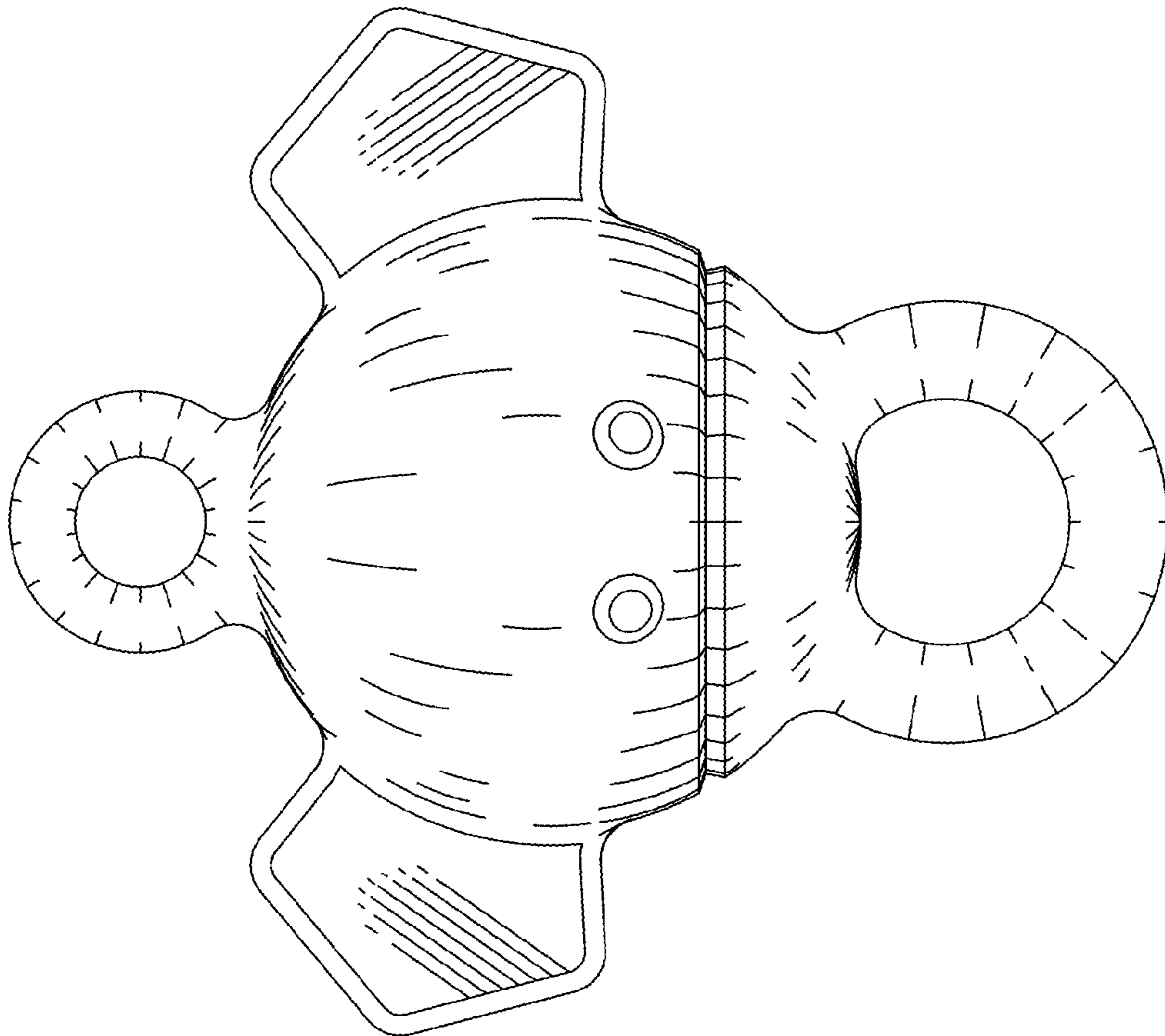


FIG. 3

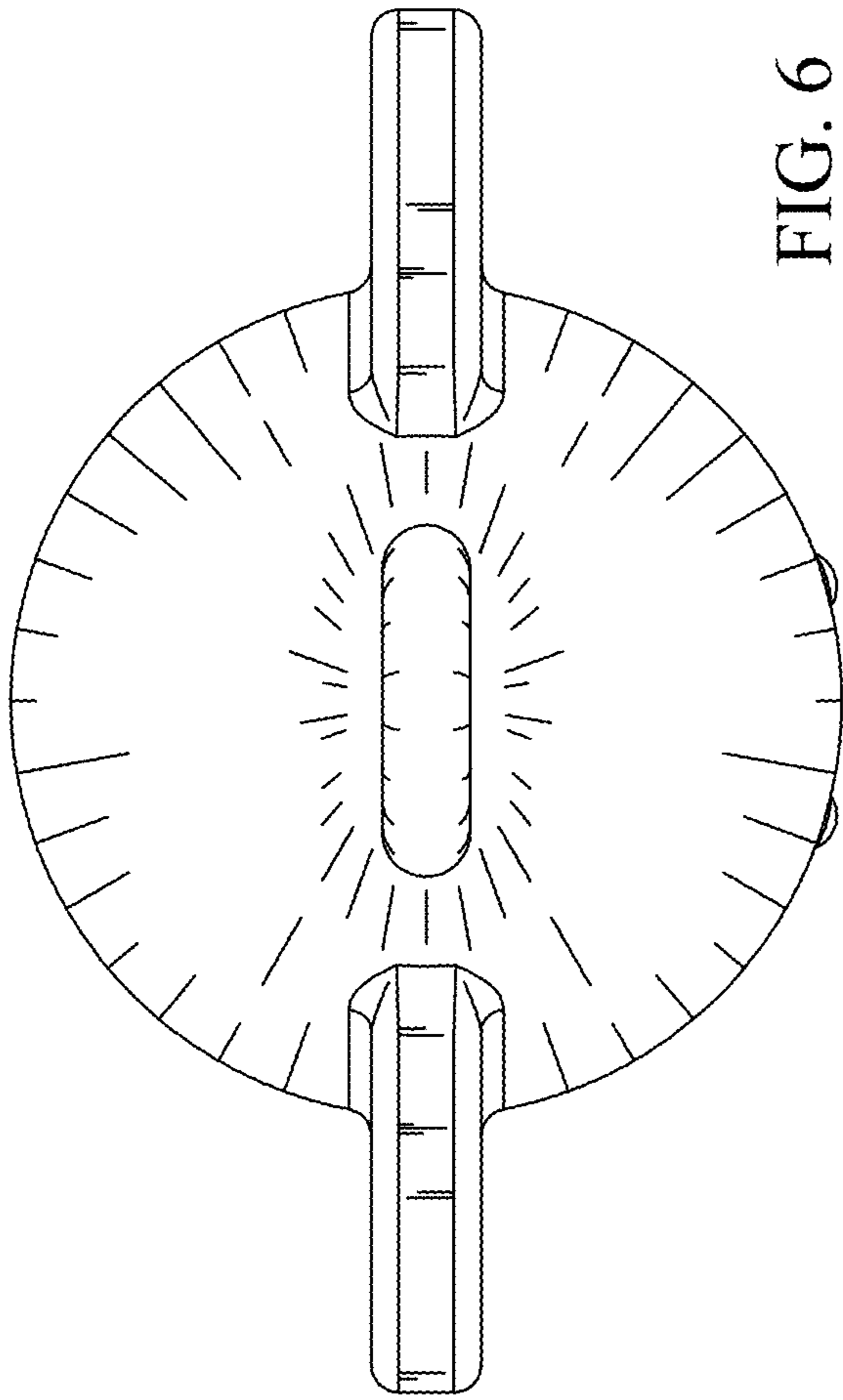


FIG. 6

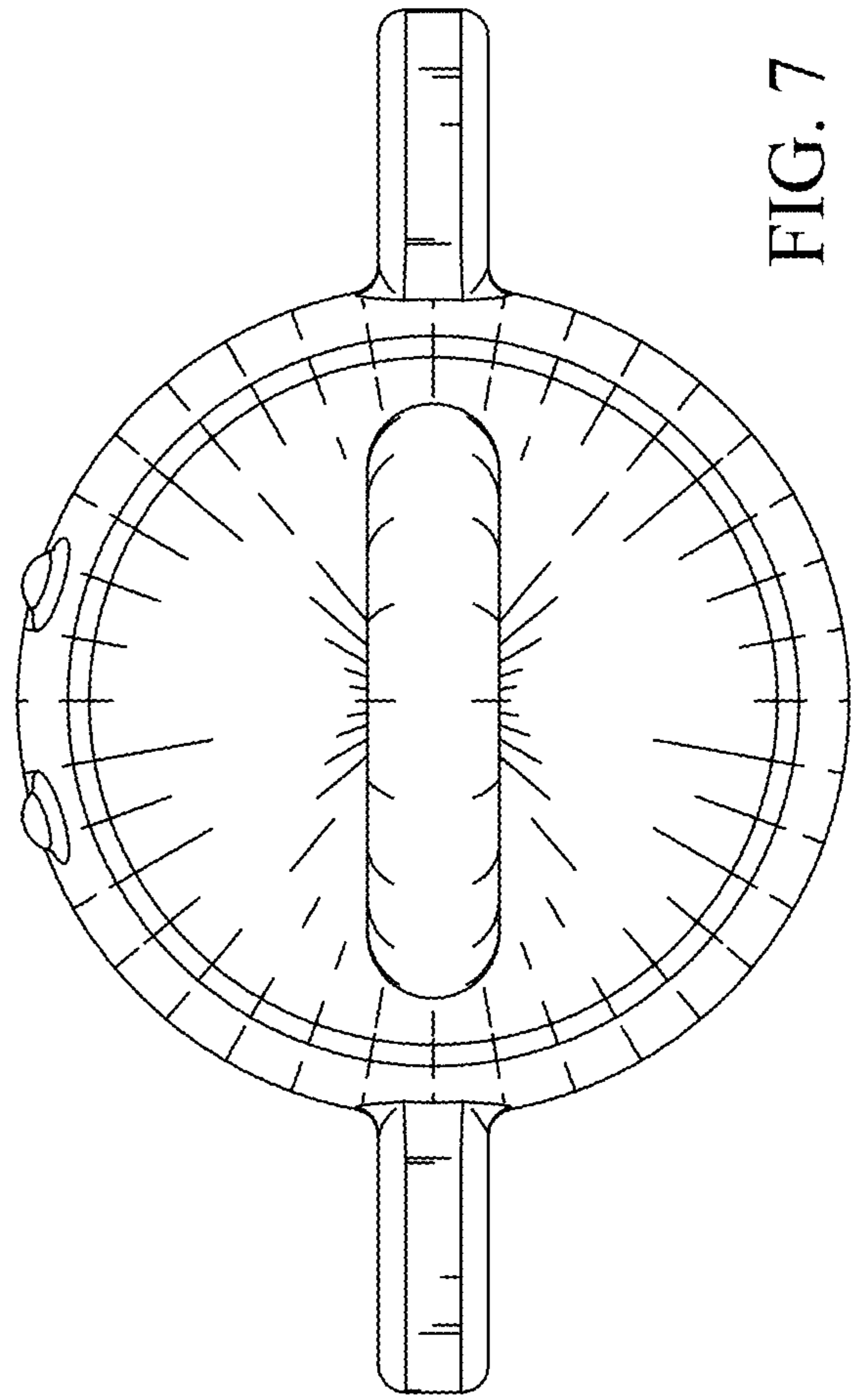


FIG. 7

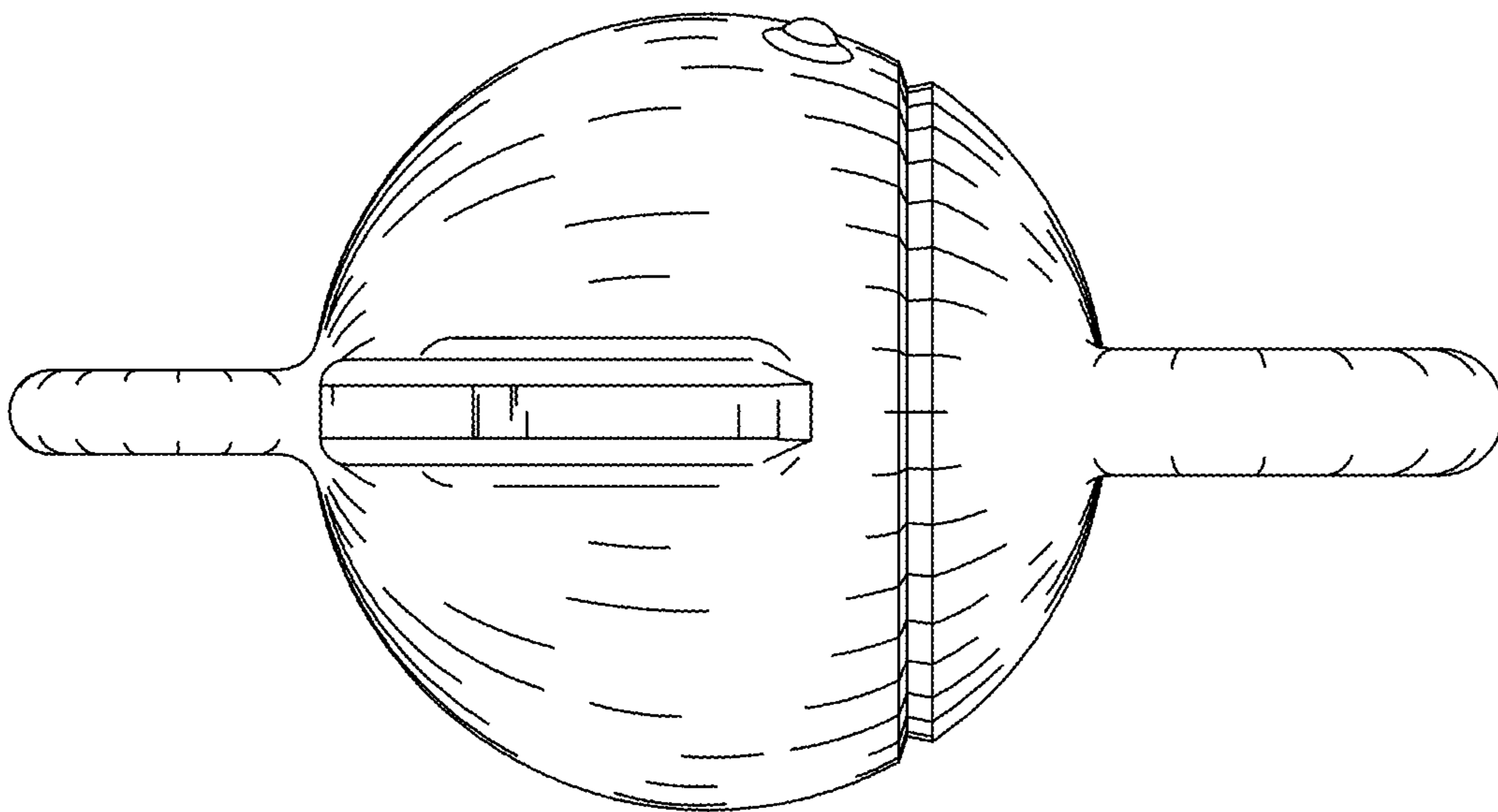


FIG. 5

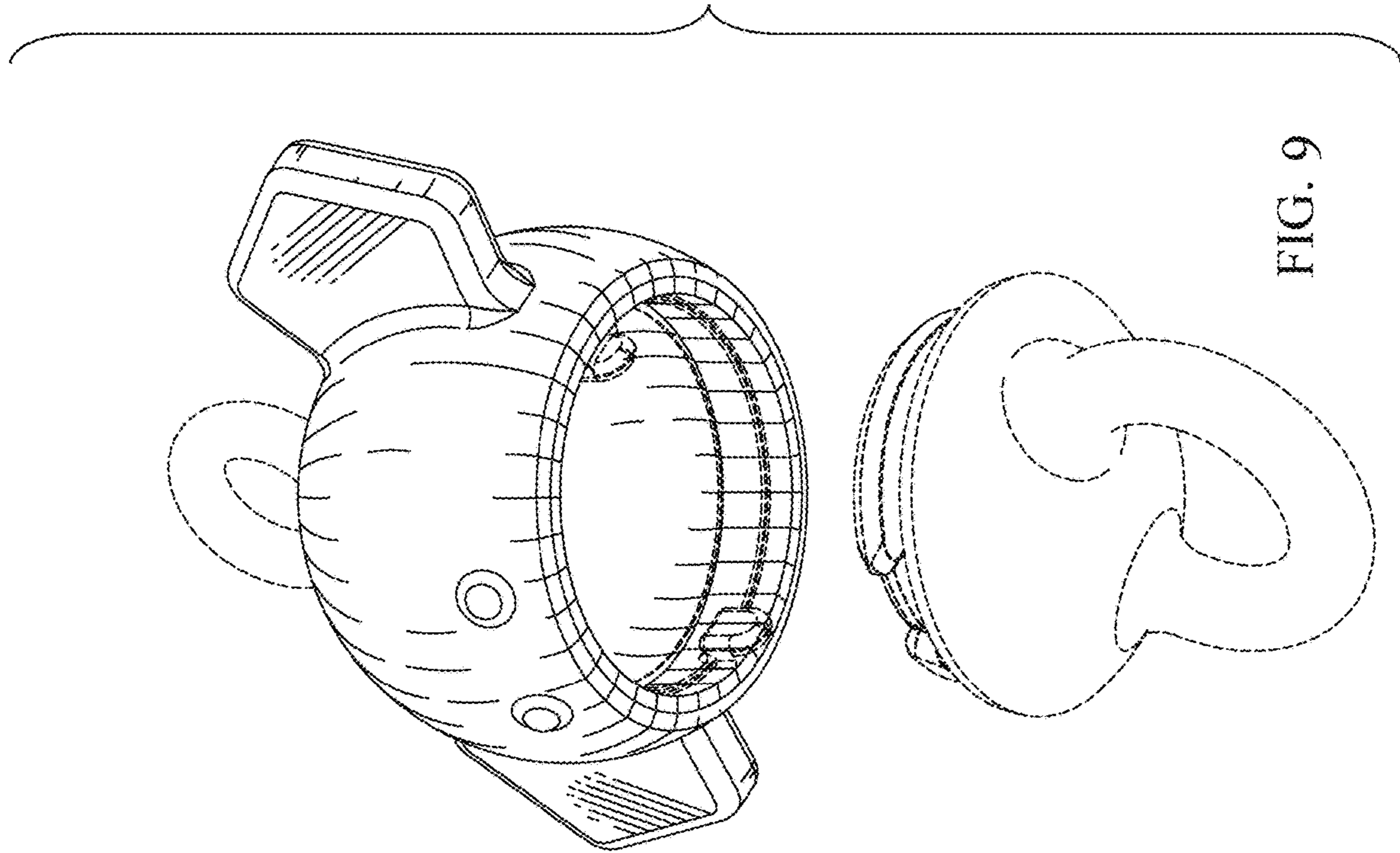


FIG. 9

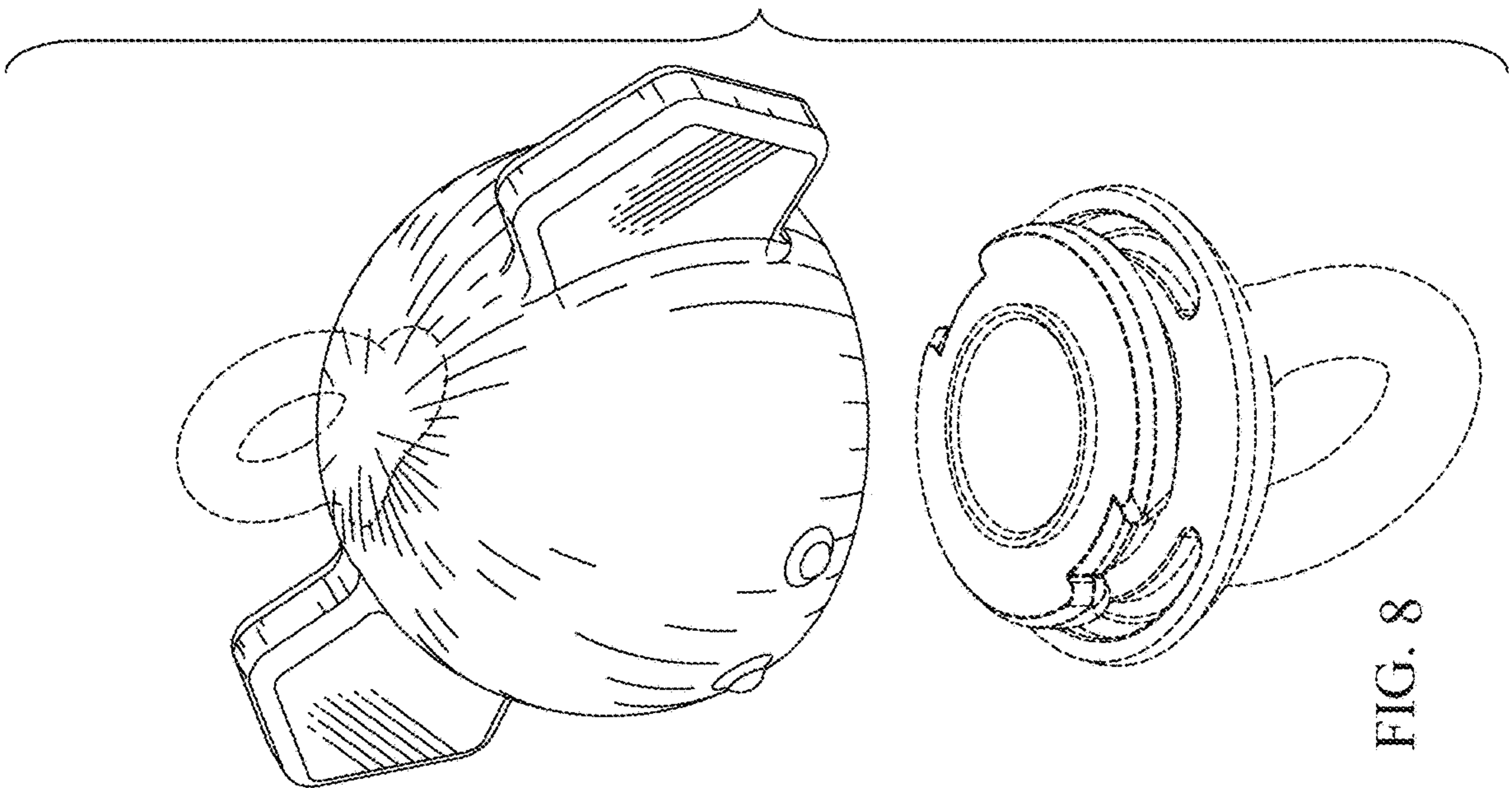


FIG. 8

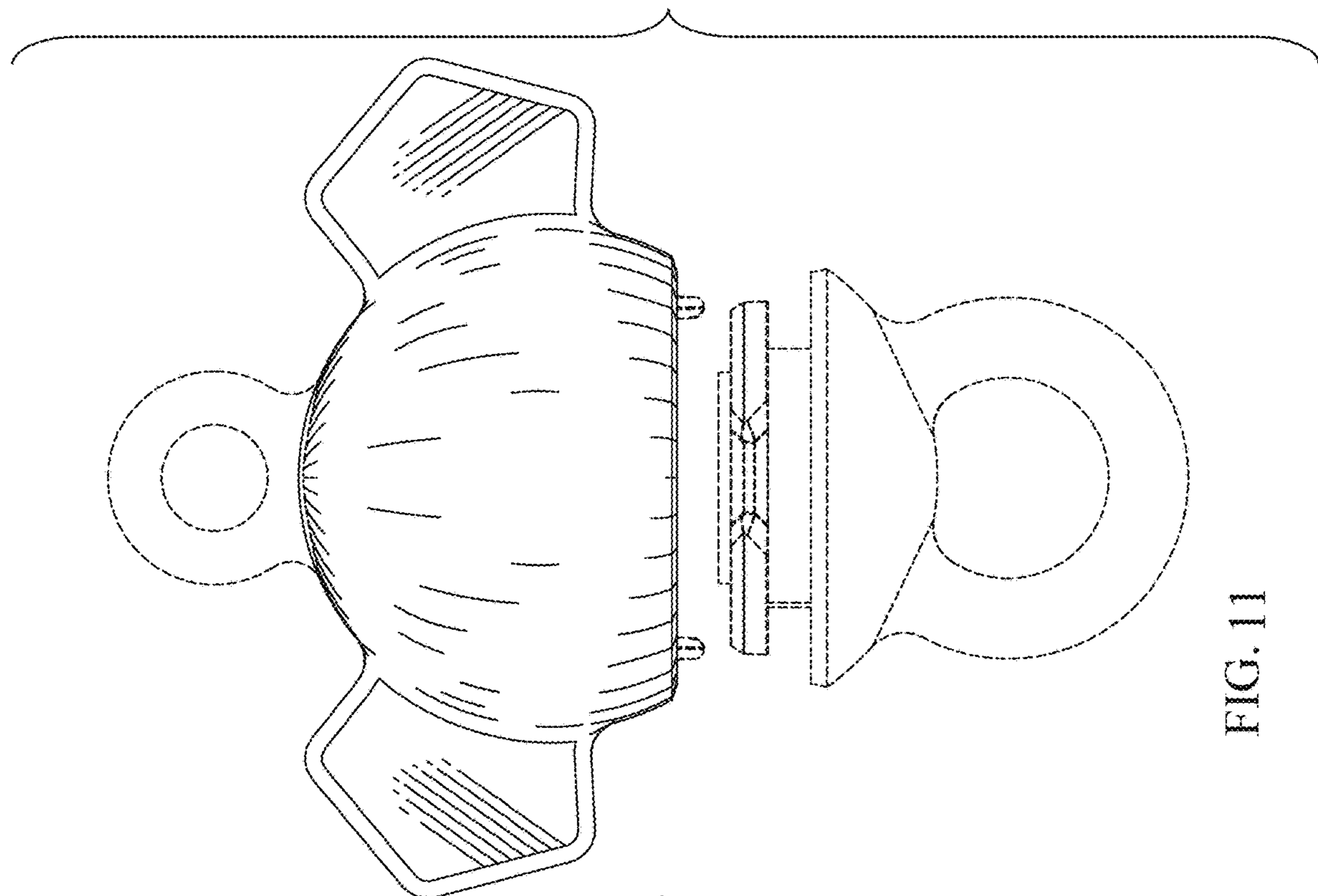


FIG. 10

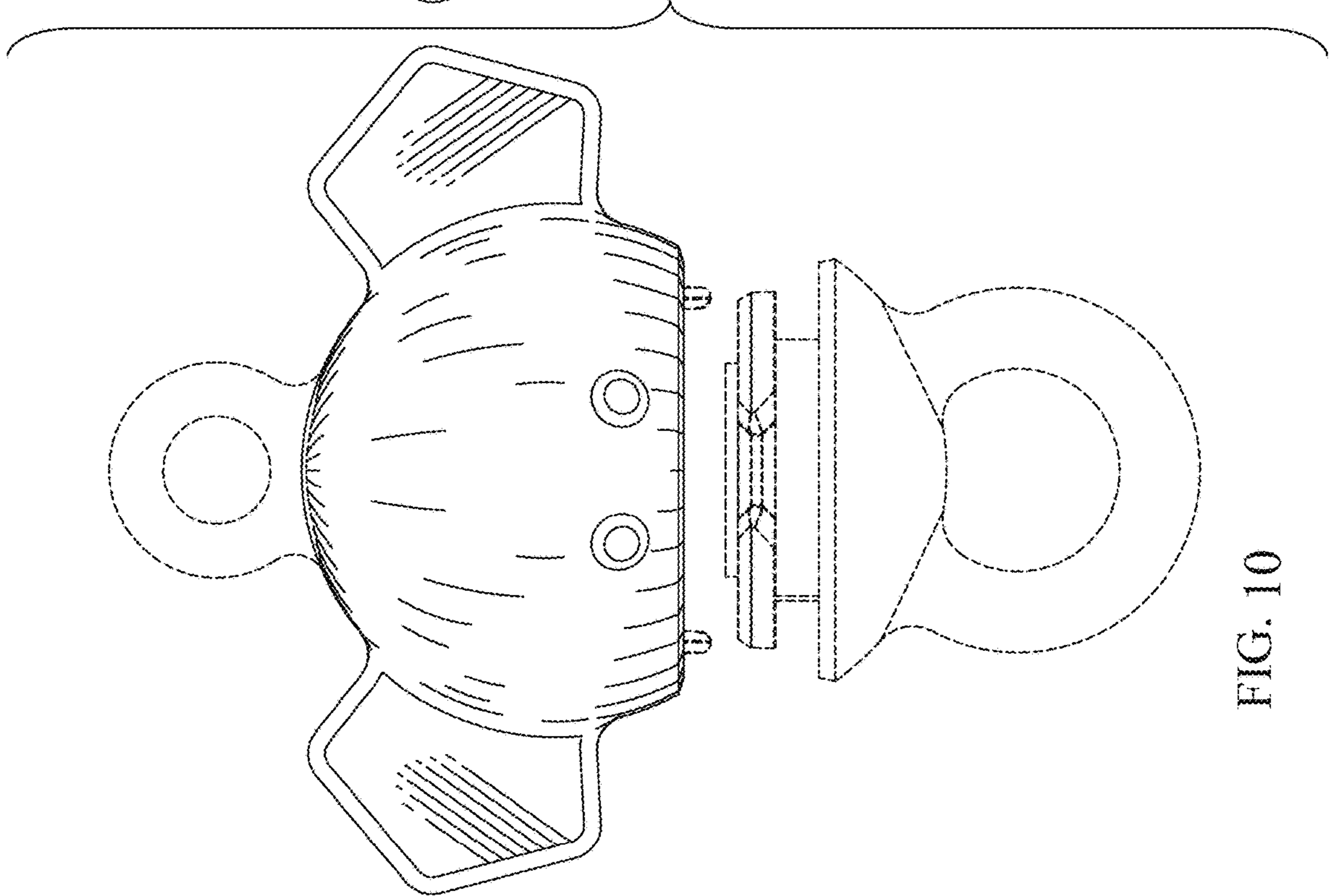


FIG. 11

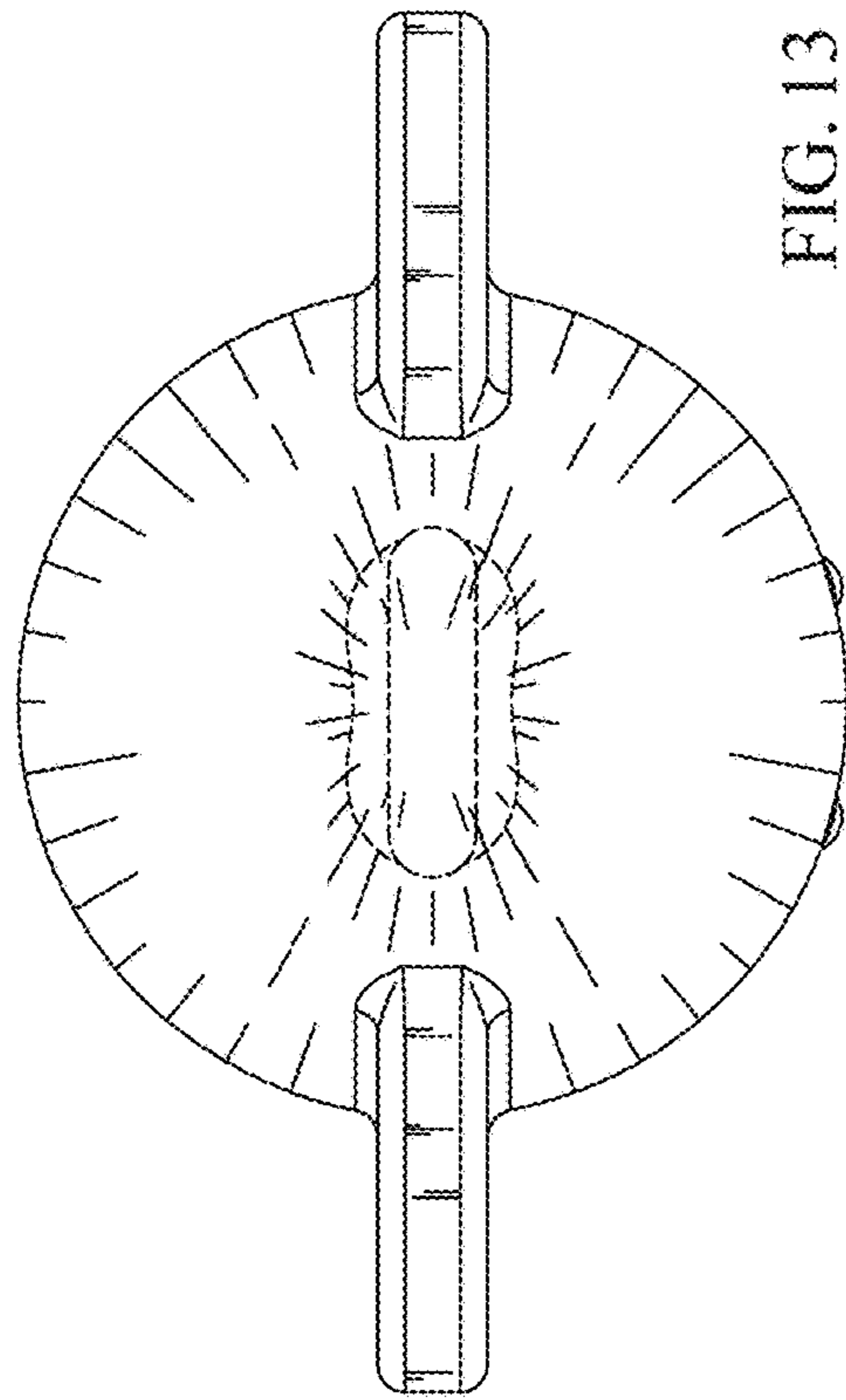


FIG. 13

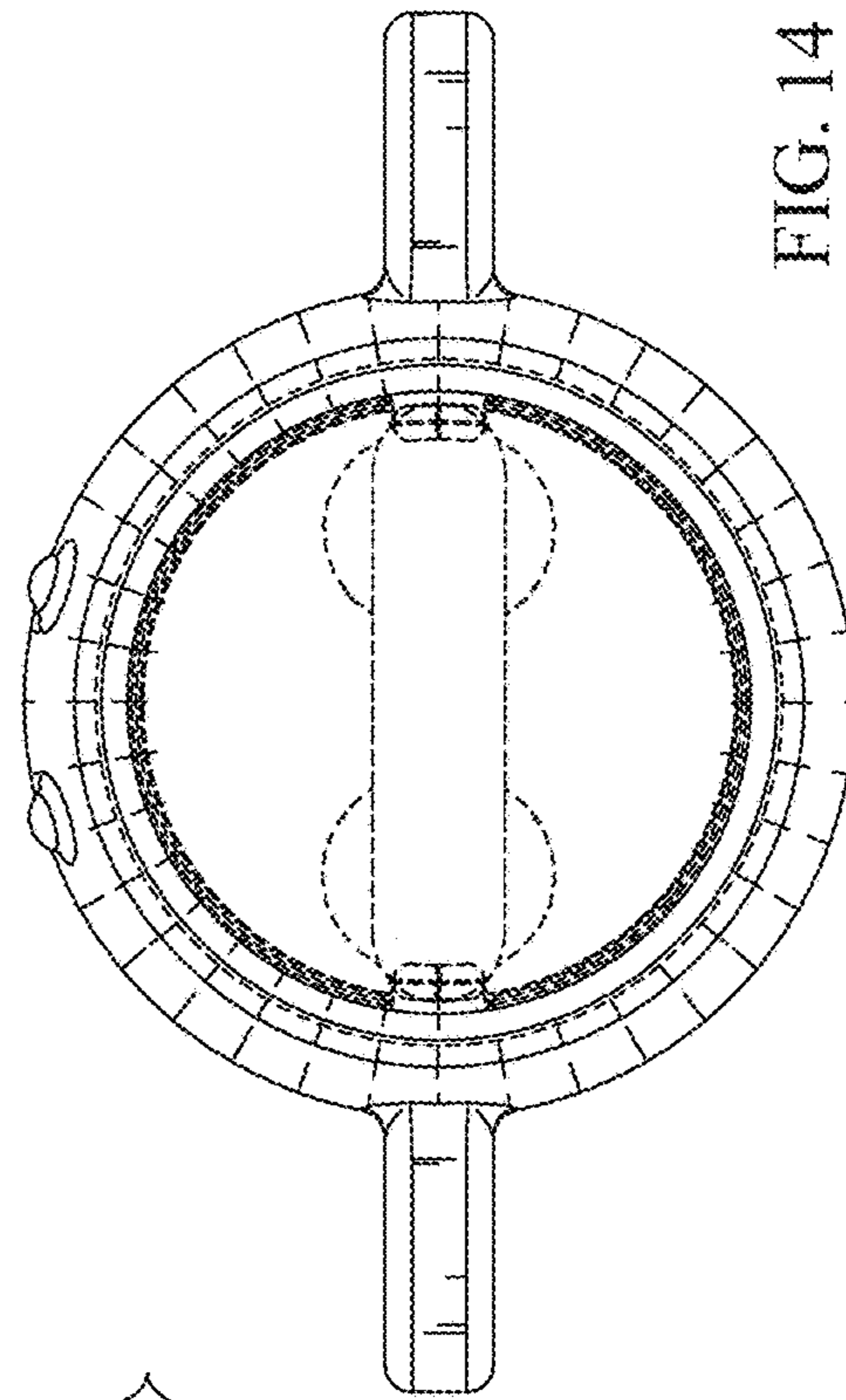


FIG. 14

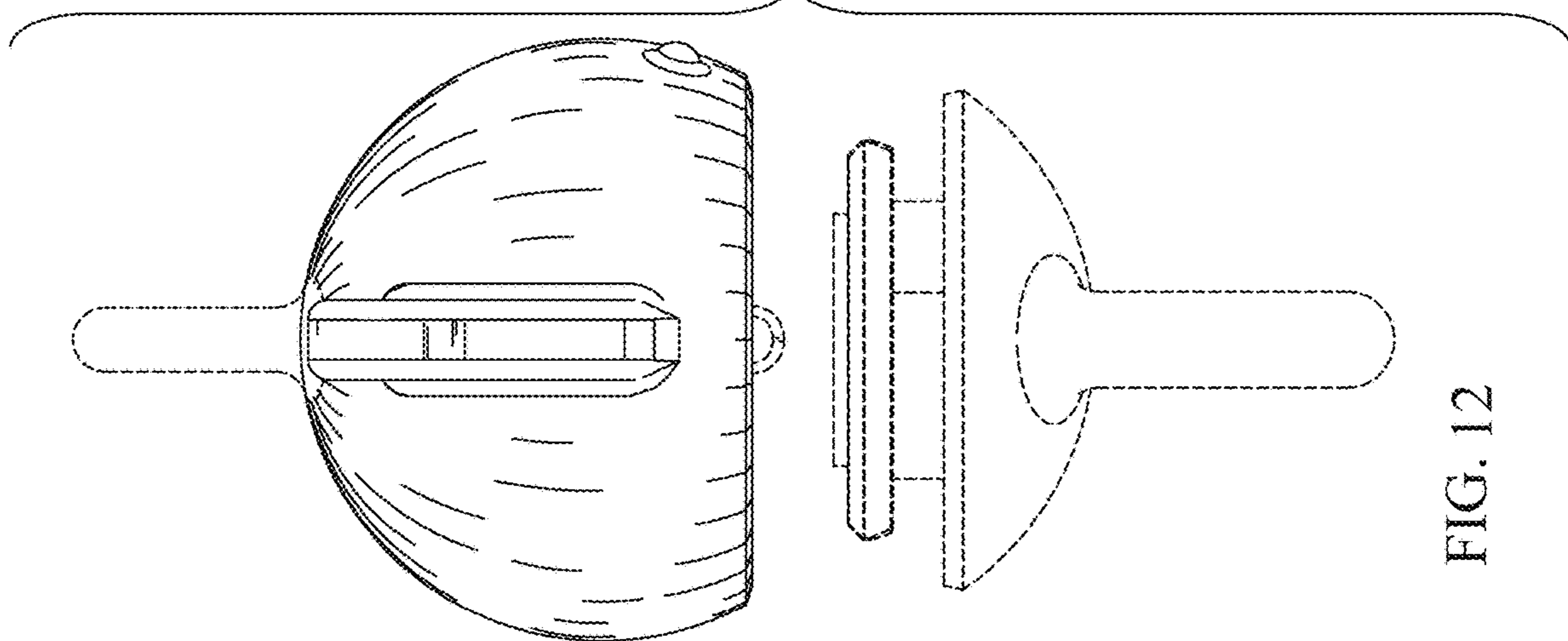


FIG. 12