



US00D881008S

(12) **United States Design Patent** (10) **Patent No.:** **US D881,008 S**
Meranus (45) **Date of Patent:** **** Apr. 14, 2020**

(54) **ELEPHANT-THEMED PRODUCT CONTAINER**
(71) Applicant: **Margaret Spicer Meranus**, Cincinnati, OH (US)
(72) Inventor: **Margaret Spicer Meranus**, Cincinnati, OH (US)
(**) Term: **15 Years**
(21) Appl. No.: **29/660,300**
(22) Filed: **Aug. 20, 2018**
(51) **LOC (12) Cl.** **09-01**
(52) **U.S. Cl.**
USPC **D9/451**; D9/610
(58) **Field of Classification Search**
USPC D9/600-601, 607, 610, 500-503, 516, D9/619-521, 528, 532, 536, 443, 451; 206/457, 494, 459.5, 527, 540; 229/116.1; 215/381-384, 400; D7/514-521, 539, 544, 556, 571, 301, D7/579, 594, 604, 613, 619.2, 623, 625, D7/628, 391-392.1; D3/270-271.3; D21/616, 659; D11/49, 100; D28/79, D28/80, 85, 84
CPC B65D 67/00; B65D 81/36; B65D 81/60; B65D 81/368; B65D 2203/00; B65D 2203/02; B65D 5/42; B65D 5/4208; B65D 77/00; A63H 33/16
See application file for complete search history.

D293,079 S * 12/1987 Ferrero D9/610
D302,118 S * 7/1989 Myman D9/610
D324,307 S * 3/1992 Lin D3/271.2
D358,298 S * 5/1995 Brown D9/610
D422,492 S * 4/2000 Indelicato D9/610
(Continued)

Primary Examiner — Sandra L Morris
(74) *Attorney, Agent, or Firm* — Daniel F. Nesbitt; Hasse & Nesbit LLC

(57) **CLAIM**

I claim the ornamental design for an elephant-themed product container, as shown and described.

DESCRIPTION

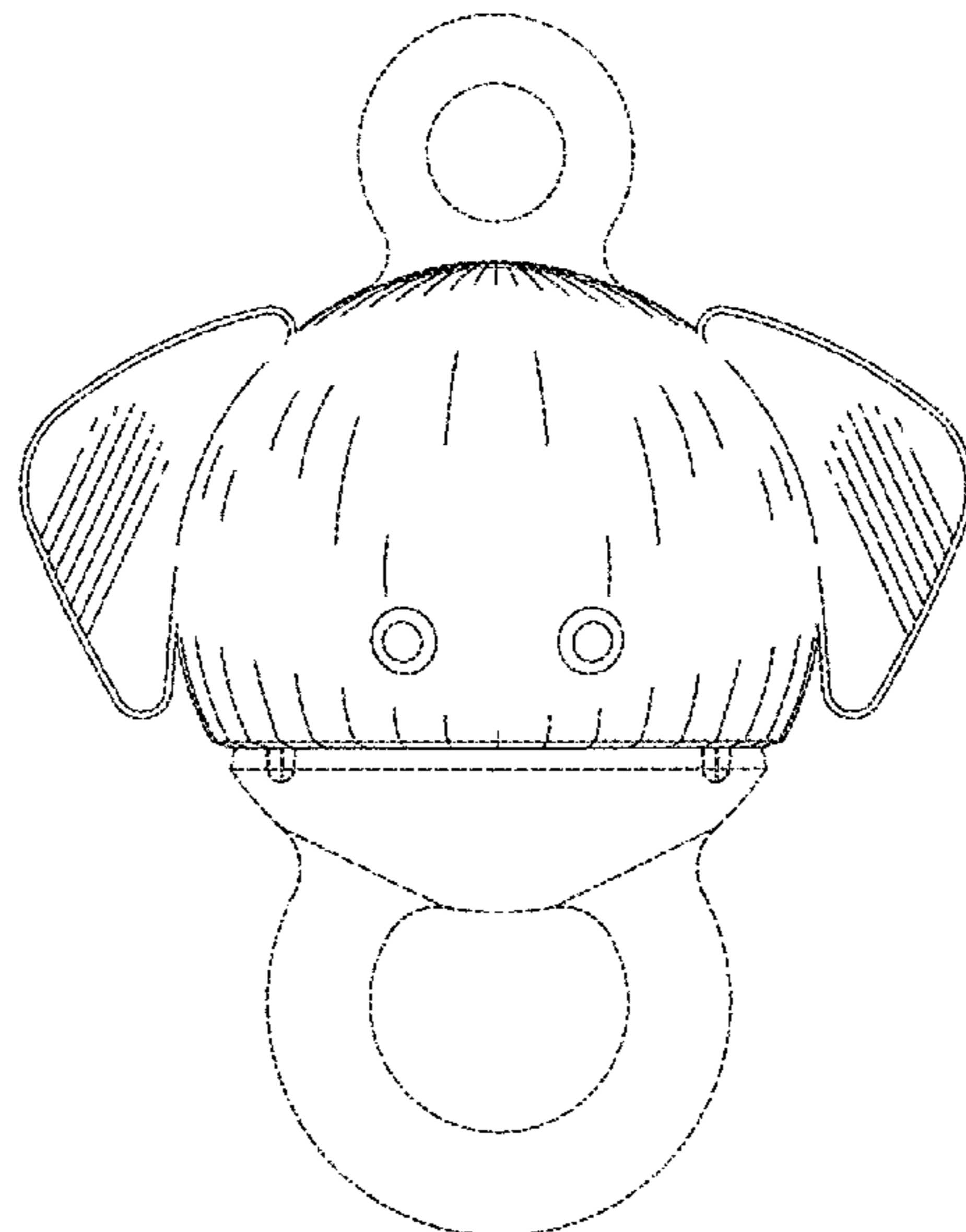
FIG. 1 is a top perspective view of an elephant-themed product container, having an upper cover and a lower base, shown in a closed configuration;
FIG. 2 is a lower perspective view thereof;
FIG. 3 is a front view thereof;
FIG. 4 is a rear view thereof;
FIG. 5 is a left view thereof, the right view being a mirror image;
FIG. 6 is a top view thereof; and
FIG. 7 is a bottom view thereof.
FIG. 8 is a top perspective view of a second embodiment of an elephant-themed product container, having an upper cover and a lower base, shown in an opened configuration;
FIG. 9 is a lower perspective view thereof;
FIG. 10 is a front view thereof;
FIG. 11 is a rear view thereof;
FIG. 12 is a left view thereof, the right view being a mirror image;
FIG. 13 is a top view thereof; and
FIG. 14 is a bottom view thereof.
The dash-dash broken lines shown in the figures illustrate portions of the elephant-themed product container. The dash-dash broken lines form no part of the claimed design.

(56) **References Cited**

U.S. PATENT DOCUMENTS

D92,509 S * 6/1934 Allers D9/610
D187,435 S * 3/1960 Becker D9/610
D196,336 S * 9/1963 Tuott D9/610
D199,416 S * 10/1964 Katz D9/610
D219,853 S * 2/1971 Swanner D9/610

1 Claim, 6 Drawing Sheets



(56)

References Cited

U.S. PATENT DOCUMENTS

D457,686	S	*	5/2002	Shih	D9/610
D502,315	S	*	3/2005	Oberhofer	D9/610
D584,167	S	*	1/2009	Murray	D9/610
D661,669	S	*	6/2012	Henderson	D3/271.2
D687,319	S	*	8/2013	Panetta	D9/601
D769,379	S	*	10/2016	Billen	D9/610
D799,975	S	*	10/2017	Anvaripour	D9/532

* cited by examiner

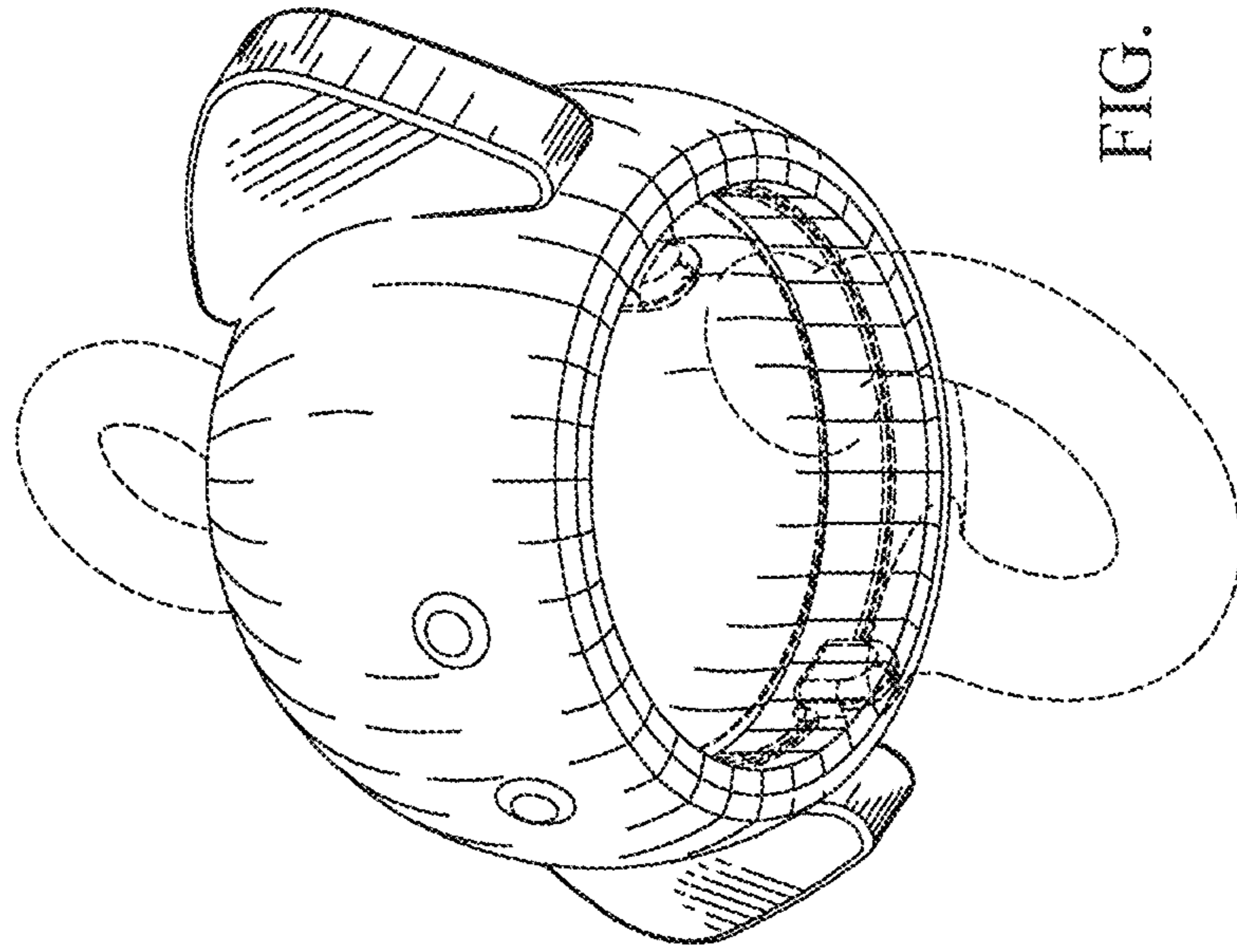


FIG. 2

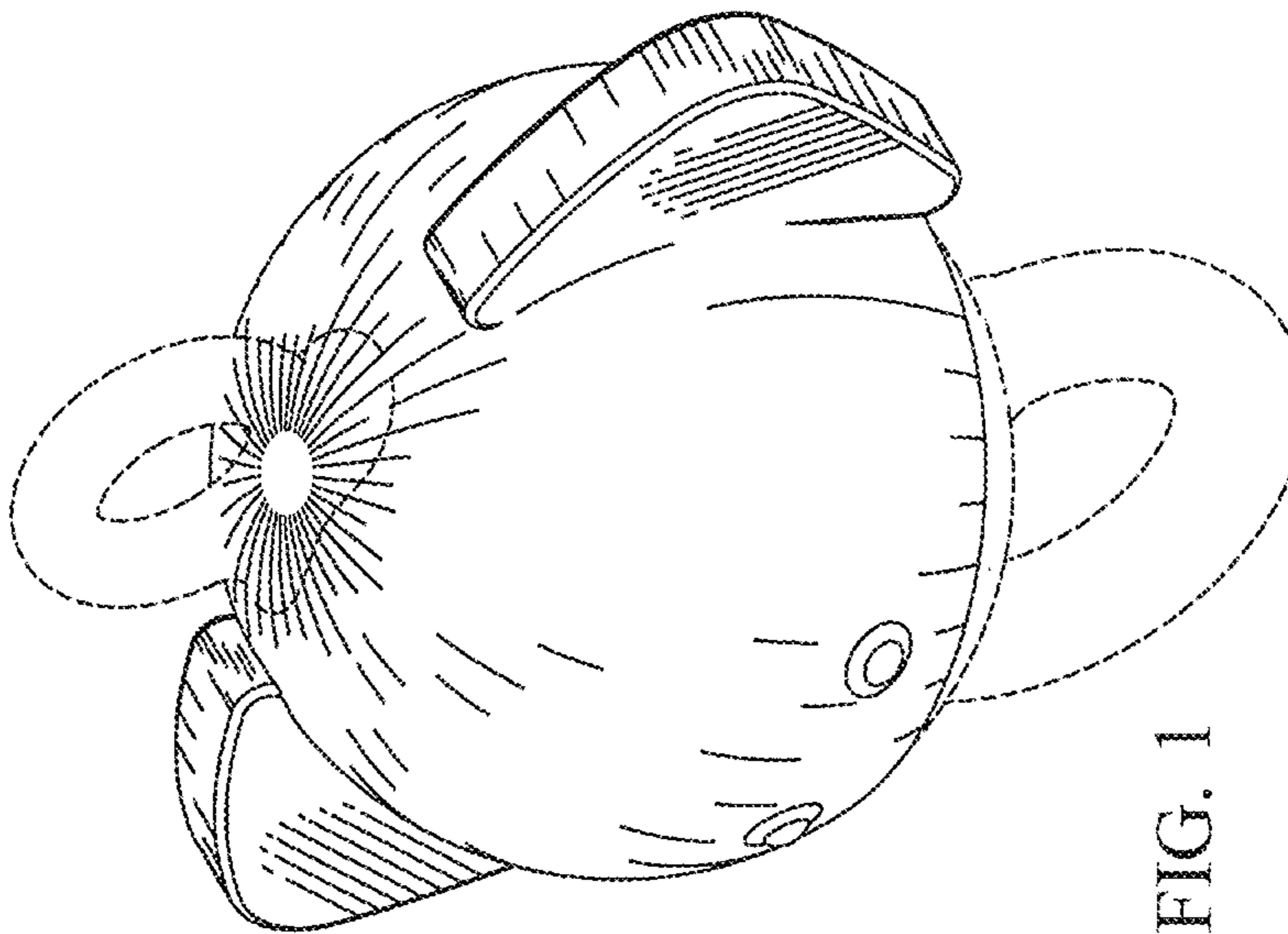


FIG. 1

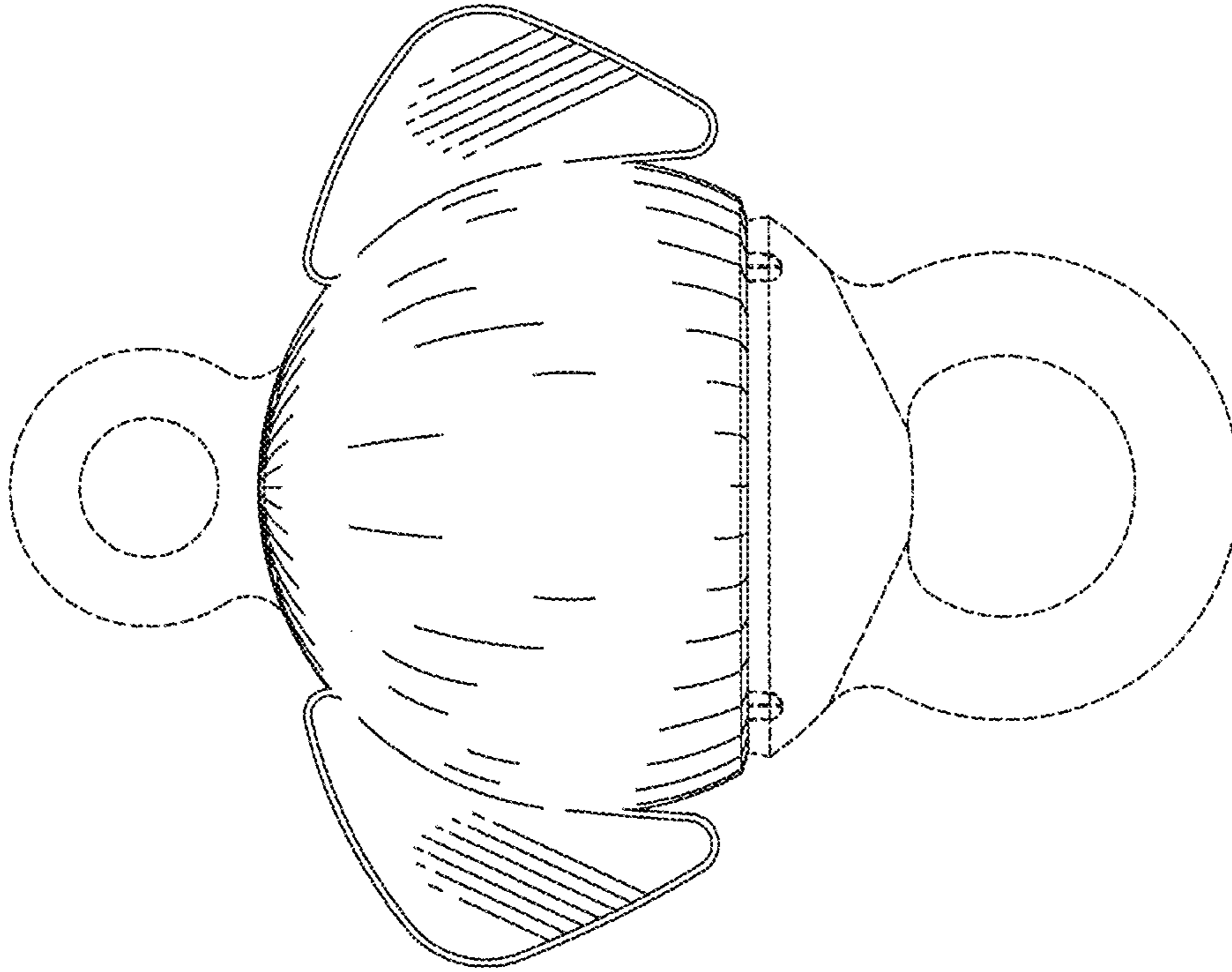


FIG. 4

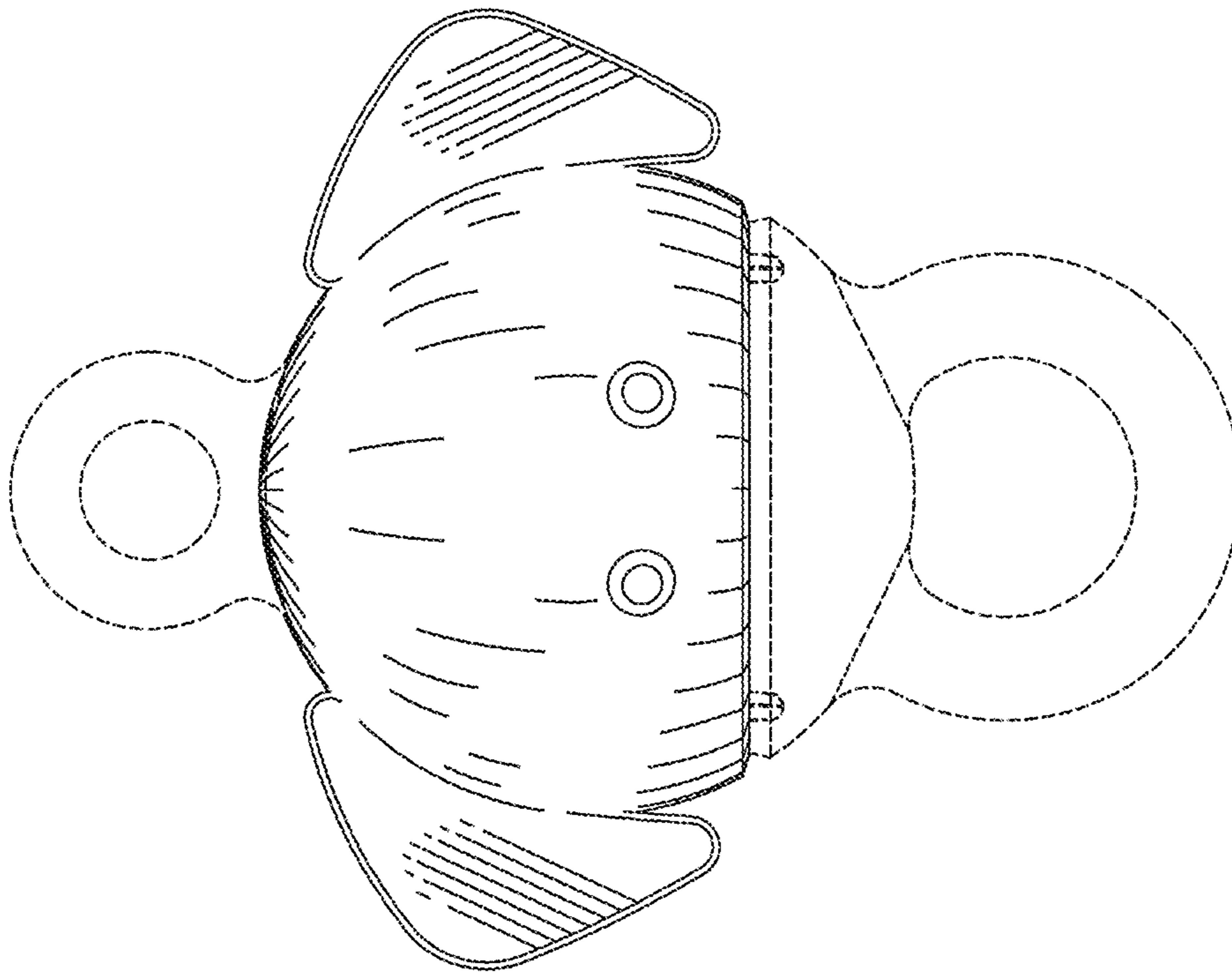


FIG. 3

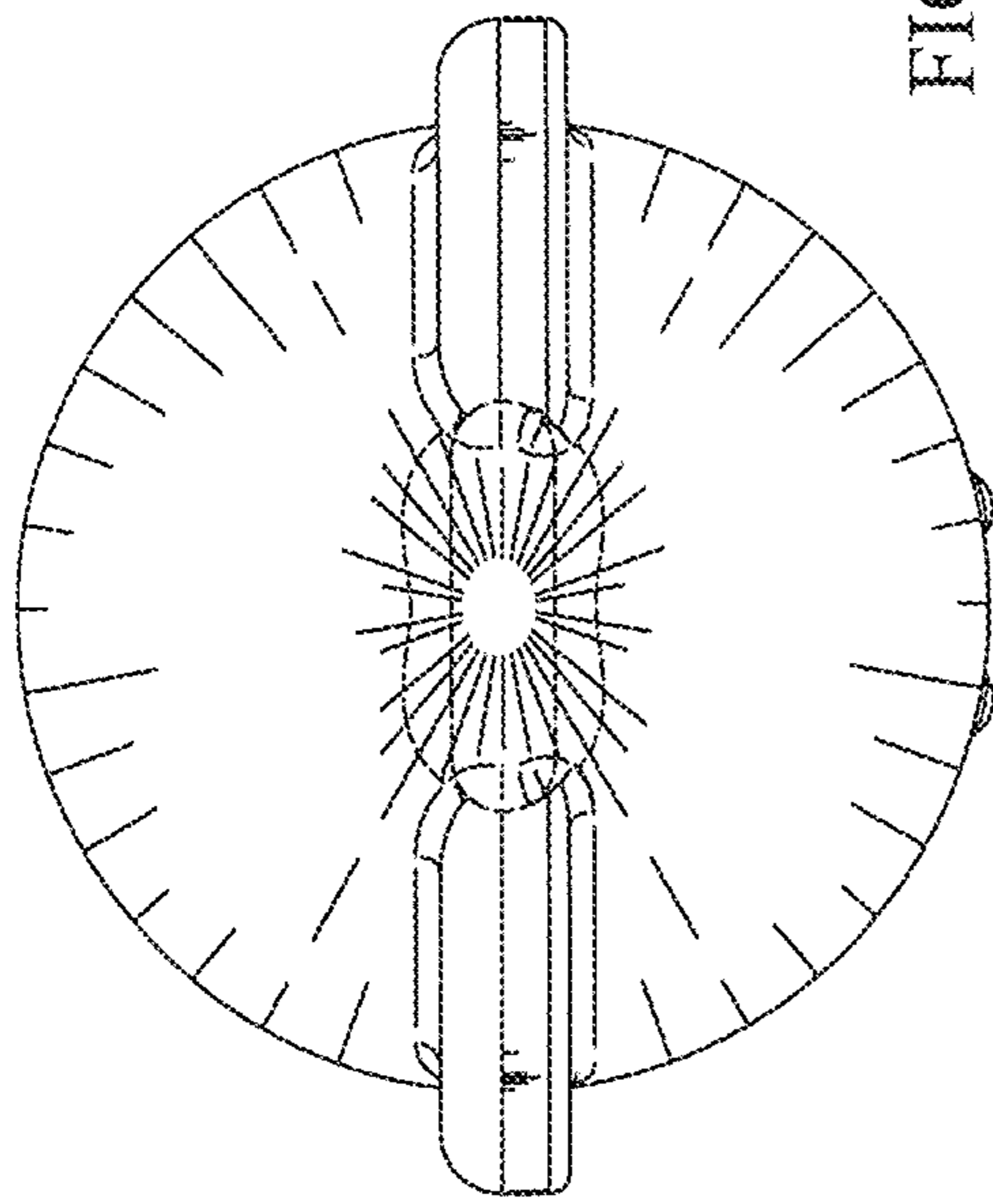


FIG. 6

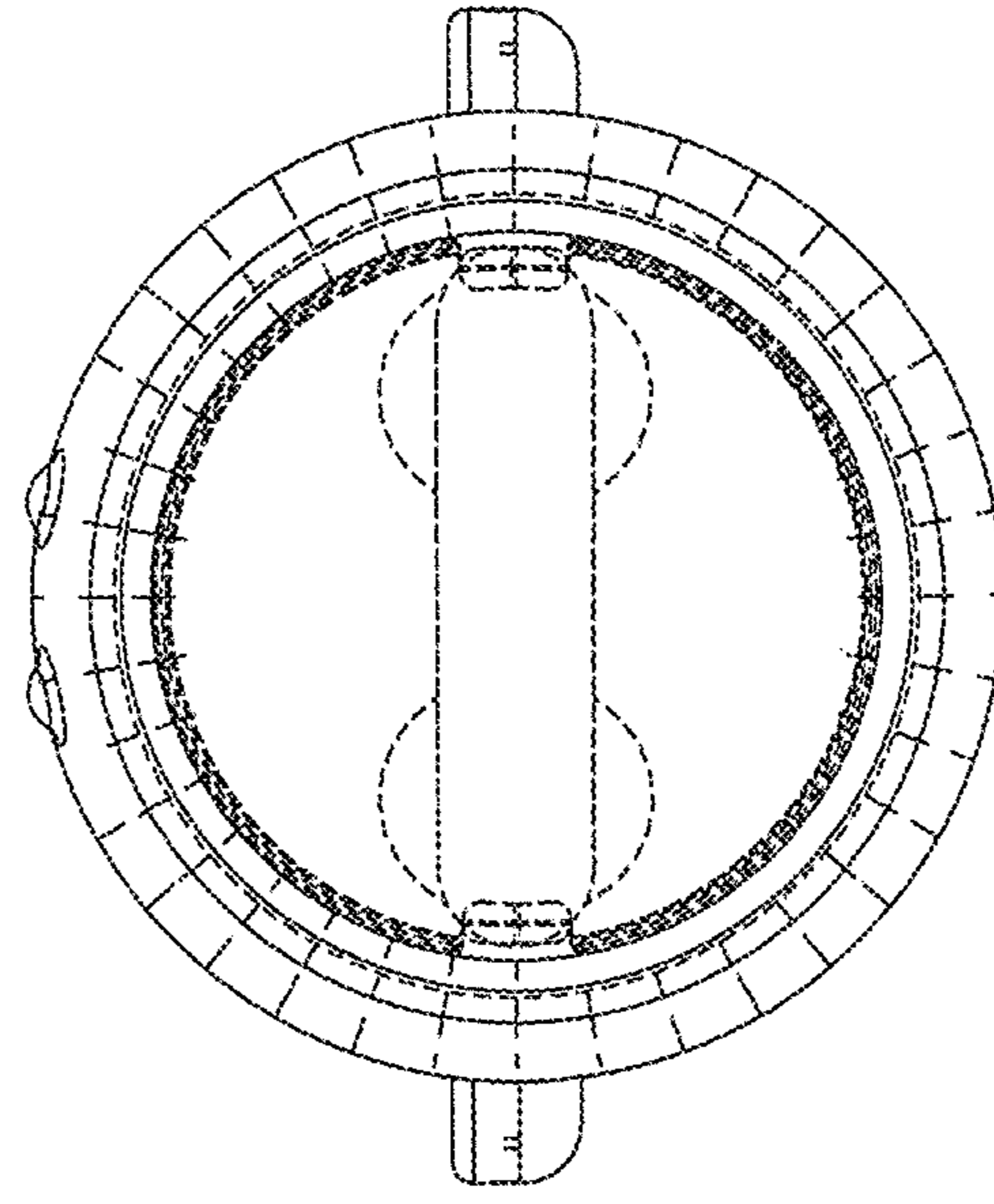


FIG. 7

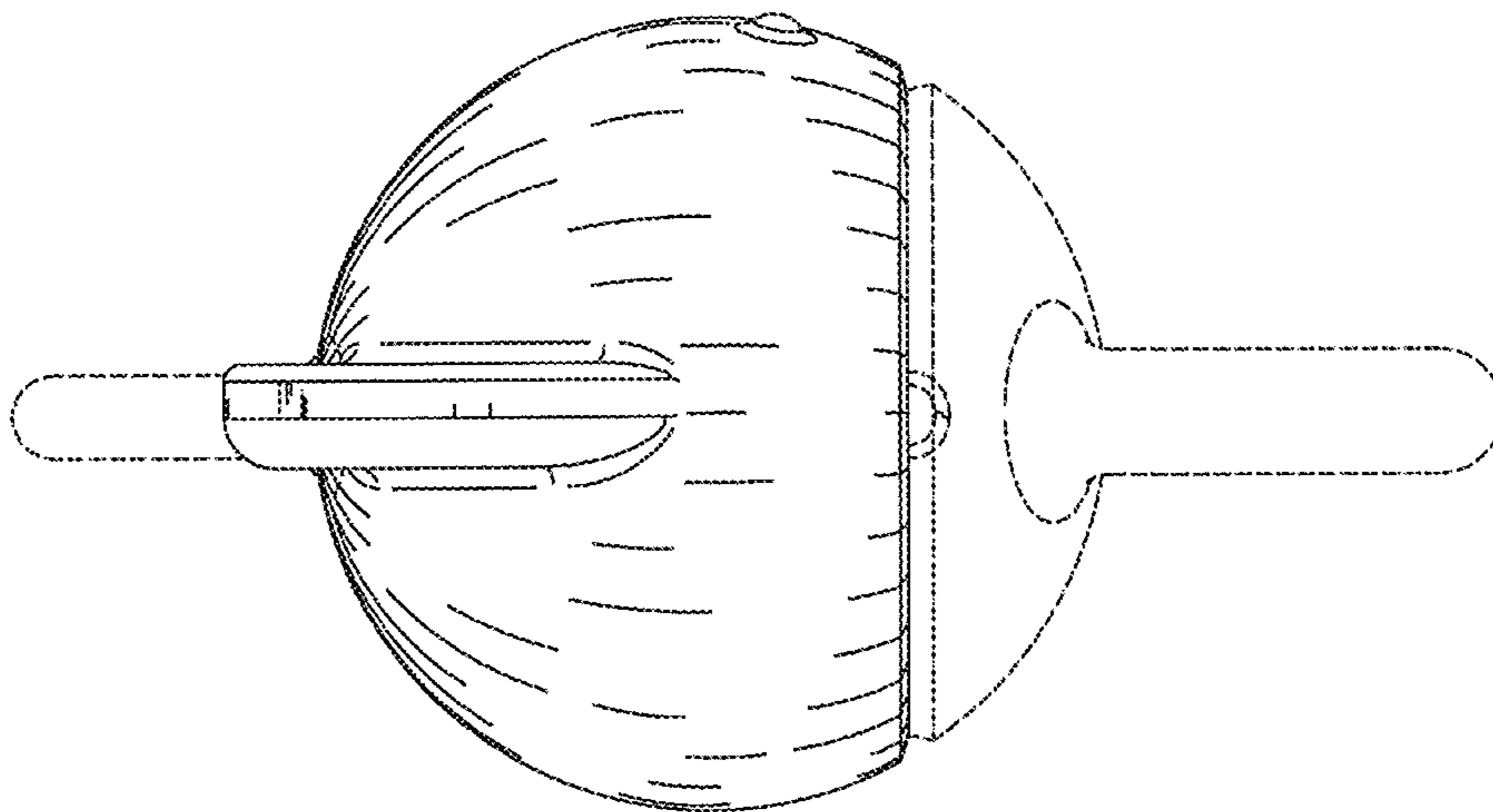


FIG. 5

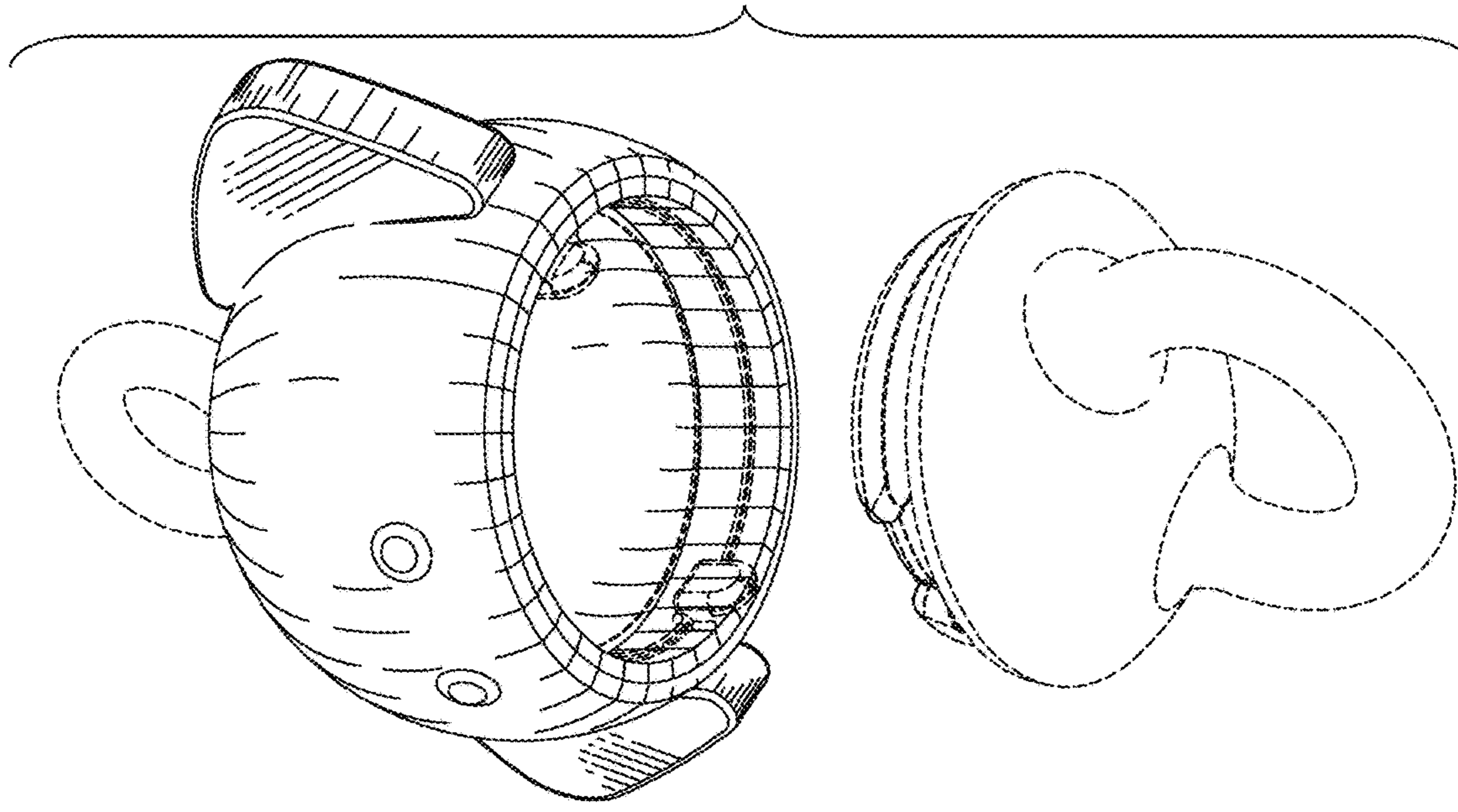


FIG. 9

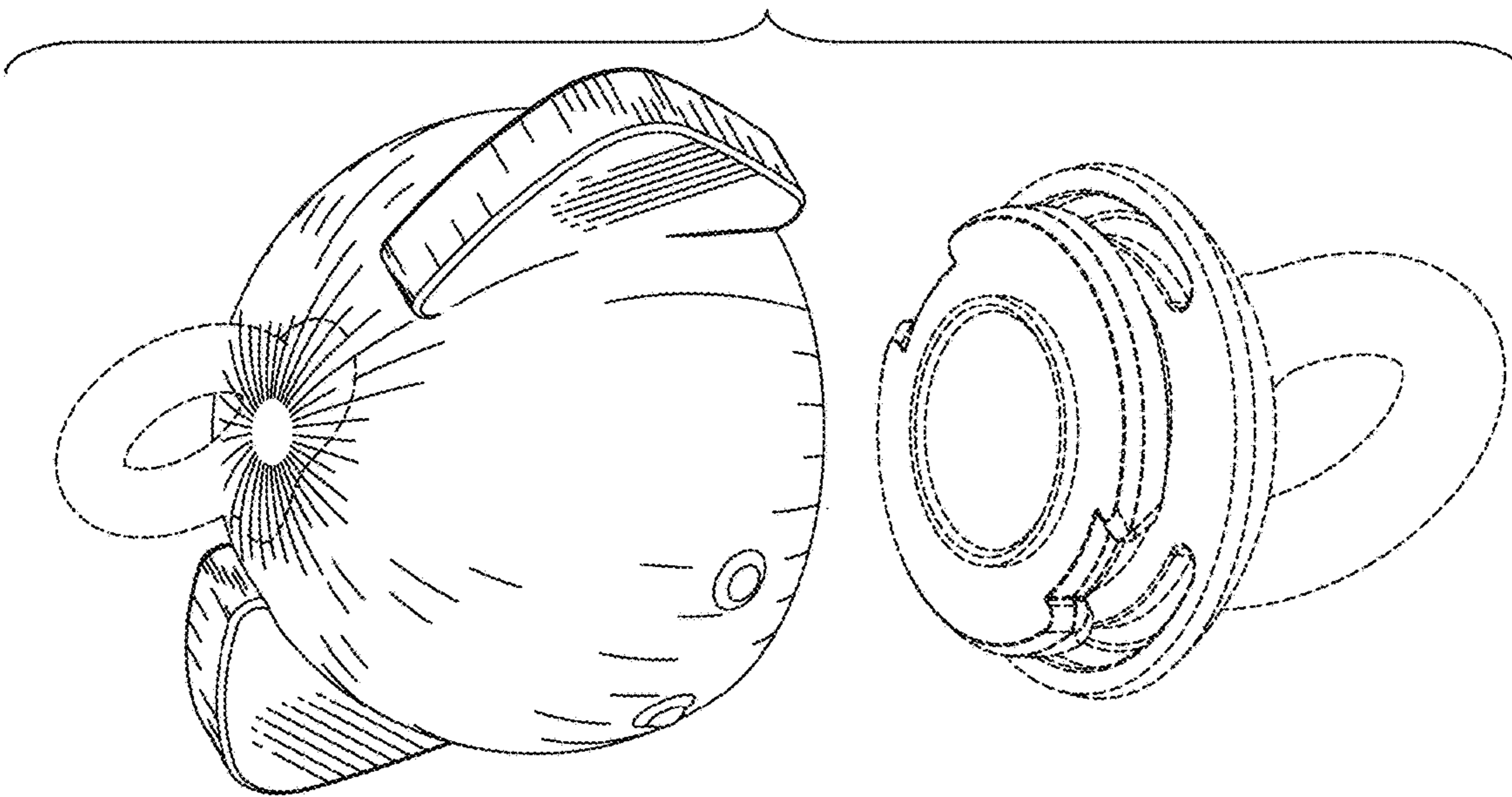


FIG. 8

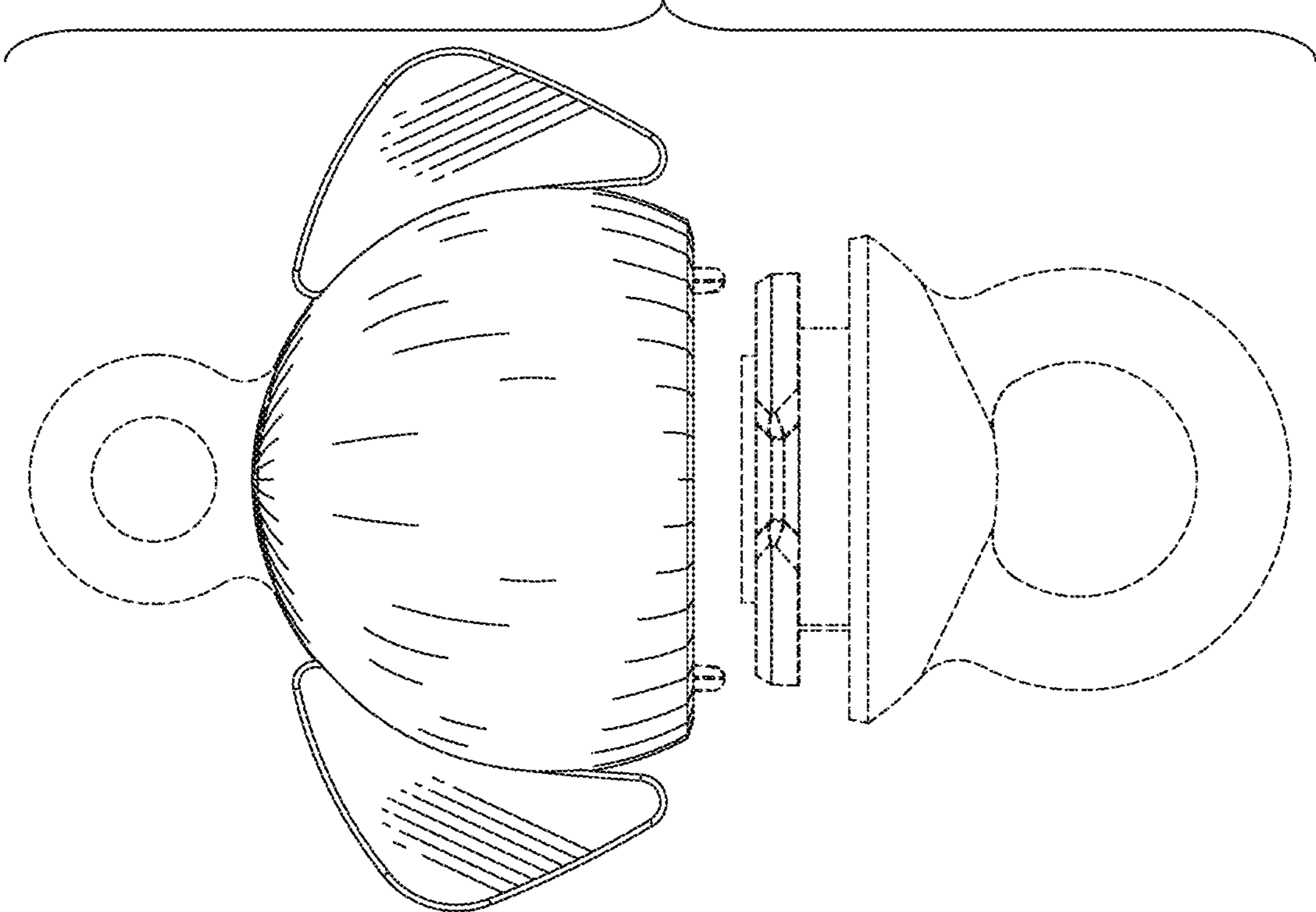


FIG. 10

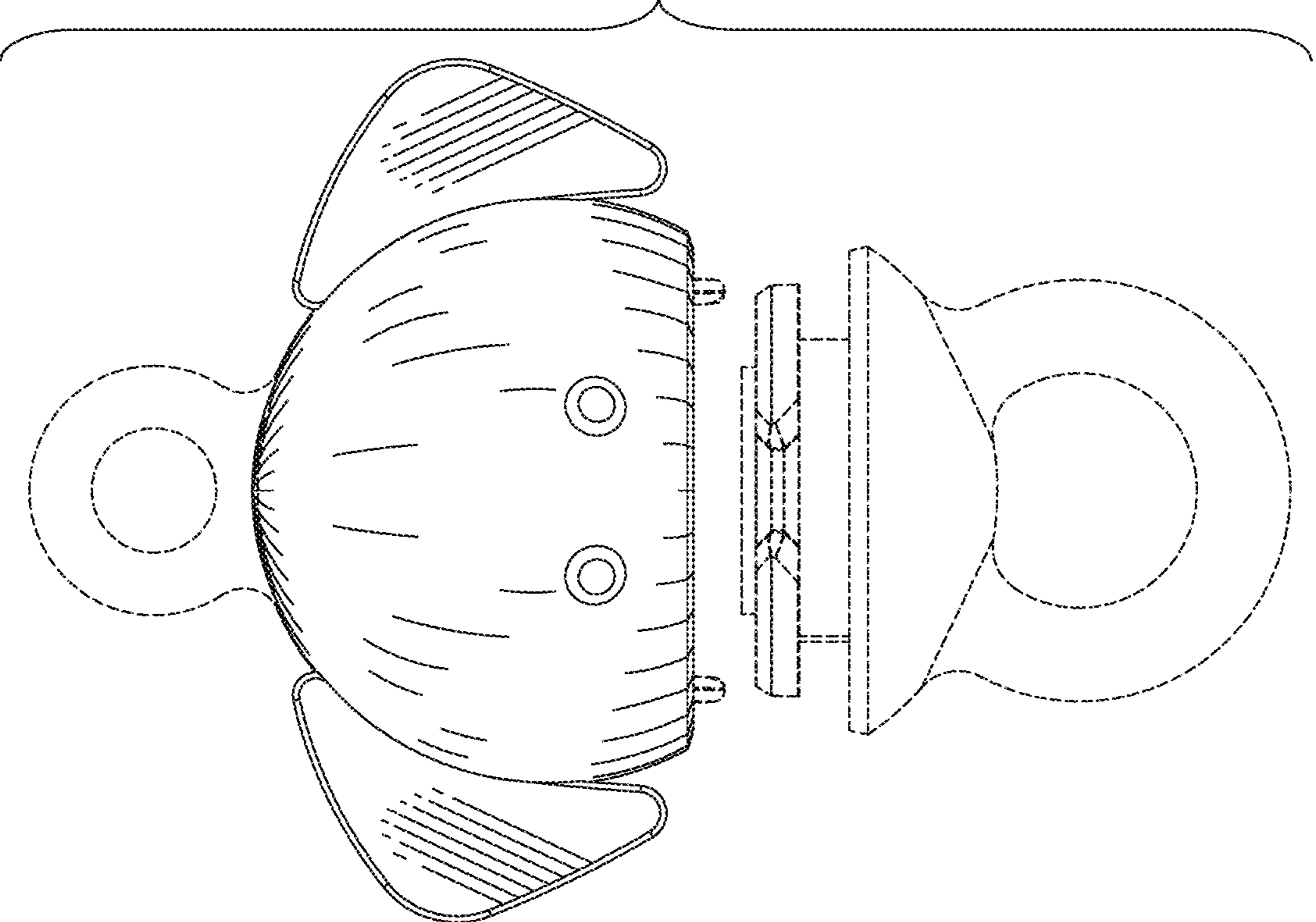


FIG. 11

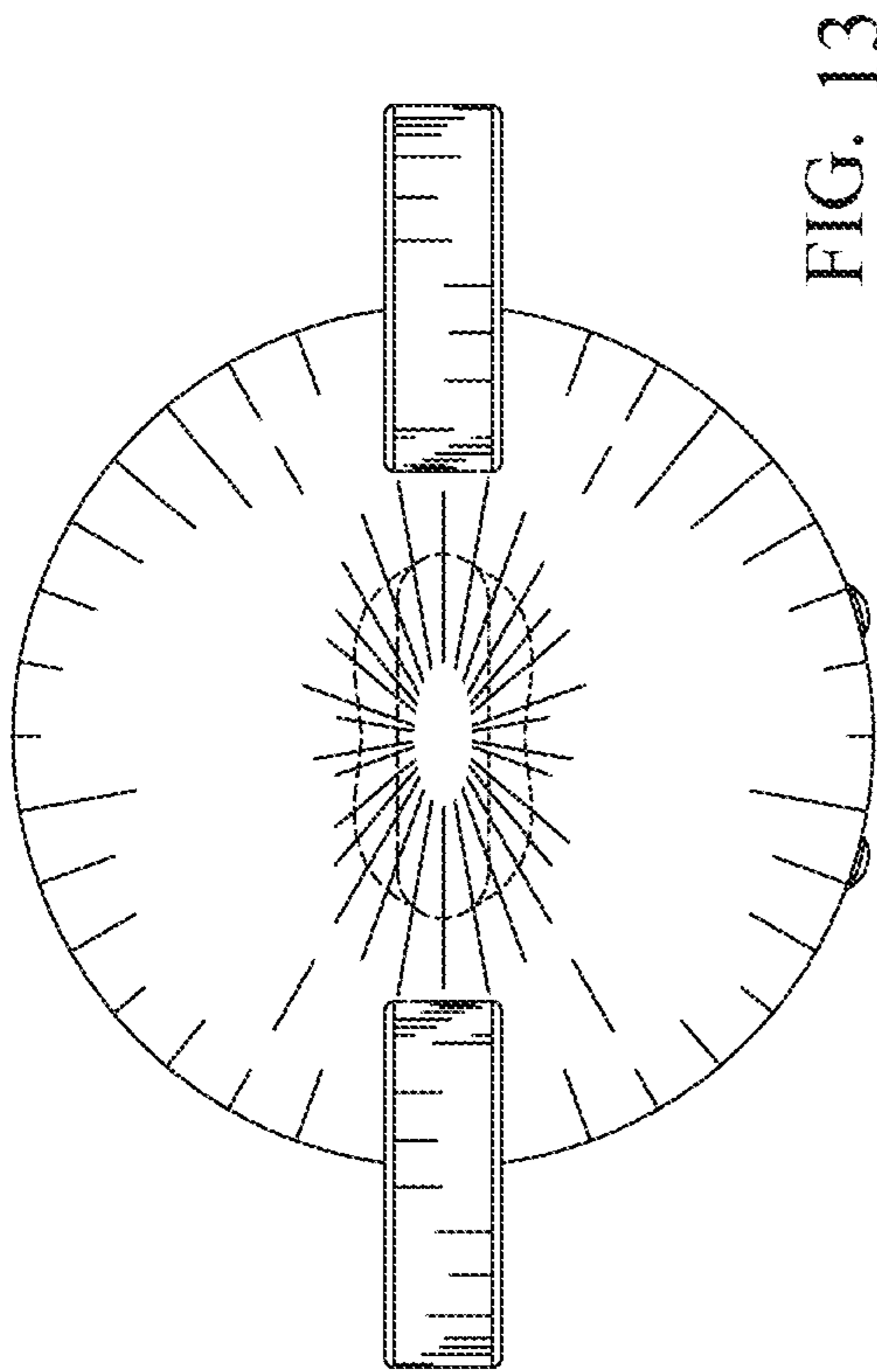


FIG. 13

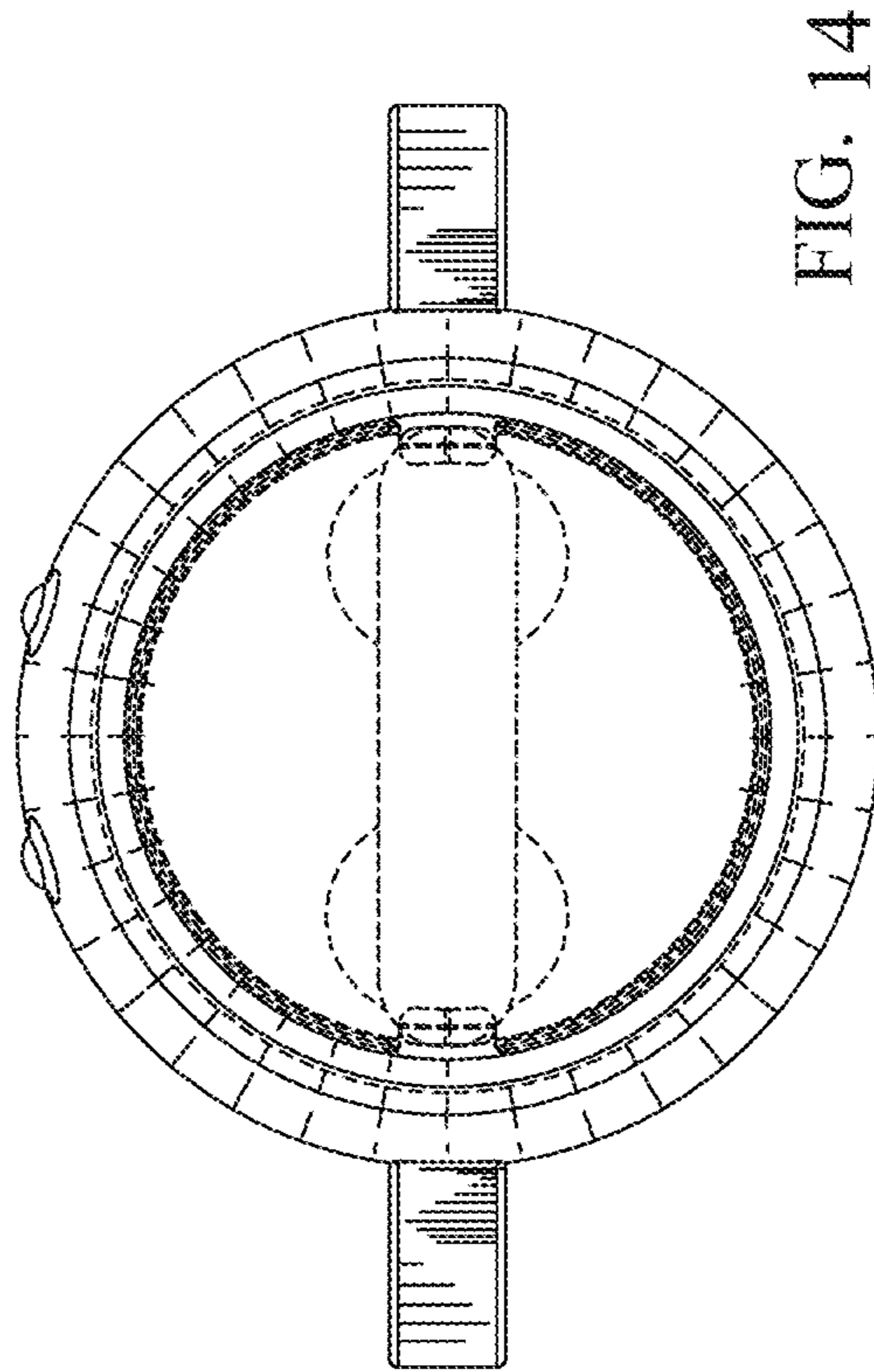


FIG. 14

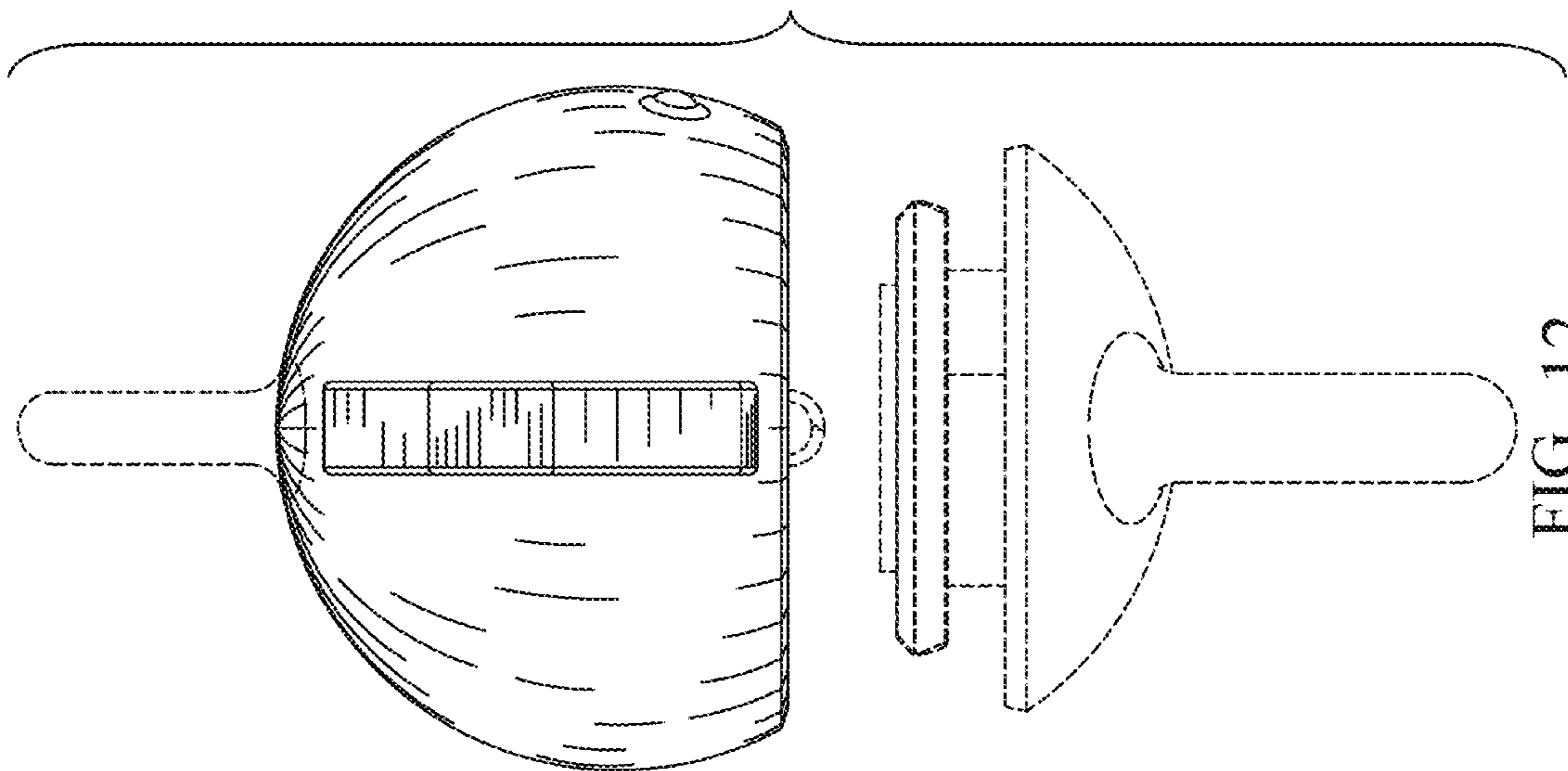


FIG. 12