



US00D881007S

(12) **United States Design Patent** (10) **Patent No.:** **US D881,007 S**
Christianson et al. (45) **Date of Patent:** **** Apr. 14, 2020**

(54) **ACTUATOR**

FOREIGN PATENT DOCUMENTS

(71) Applicant: **S. C. Johnson & Son, Inc.**, Racine, WI (US)

CN 106074230 A 11/2016
EM 000133483-0008 2/2004

(Continued)

(72) Inventors: **Jeffrey J. Christianson**, Oak Creek, WI (US); **Kylie L. Levake**, Union Grove, WI (US); **Nathaniel Jiang**, Chicago, IL (US)

OTHER PUBLICATIONS

Consumer Reports. Does Avon Skin So Soft Bath Oil Work as a Bug Spray? by Catherine Roberts. Jun. 27, 2017. <URL:https://www.consumerreports.org/insect-repellents/avon-skin-so-soft-review-bug-spray/>. (Year: 2017).*

(Continued)

(73) Assignee: **S. C. Johnson & Son, Inc.**, Racine, WI (US)

(**) Term: **15 Years**

Primary Examiner — George D. Kirschbaum

Assistant Examiner — Darcey E Gottschalk

(21) Appl. No.: **29/681,548**

(74) *Attorney, Agent, or Firm* — Quarles & Brady LLP

(22) Filed: **Feb. 26, 2019**

Related U.S. Application Data

(63) Continuation of application No. 29/617,175, filed on Sep. 12, 2017, now Pat. No. Des. 841,465.

(51) **LOC (12) Cl.** **09-07**

(52) **U.S. Cl.**

USPC **D9/448**

(58) **Field of Classification Search**

USPC D7/392, 392.1, 396.2, 397, 398, 619.1, D7/620; D9/434-436, 454, 499, 516, D9/715-719; D23/260, 269, 390

CPC .. B65D 1/0246; B65D 1/0223; B65D 83/205; B65D 83/207; B65D 83/30

See application file for complete search history.

(56) **References Cited**

U.S. PATENT DOCUMENTS

D30,338 S 3/1899 Mann
632,321 A 9/1899 Olney
D44,392 S 7/1913 Whitney
3,231,142 A 1/1966 Park
3,424,218 A 1/1969 Vanderbur, Jr.

(Continued)

(57) **CLAIM**

The ornamental design for an actuator, as shown and described.

DESCRIPTION

FIG. 1 is an isometric view of a top, front, and right side of an ornamental design for an actuator;

FIG. 2 is a front elevational view of the actuator of FIG. 1;

FIG. 3 is a rear elevational view of the actuator of FIG. 1;

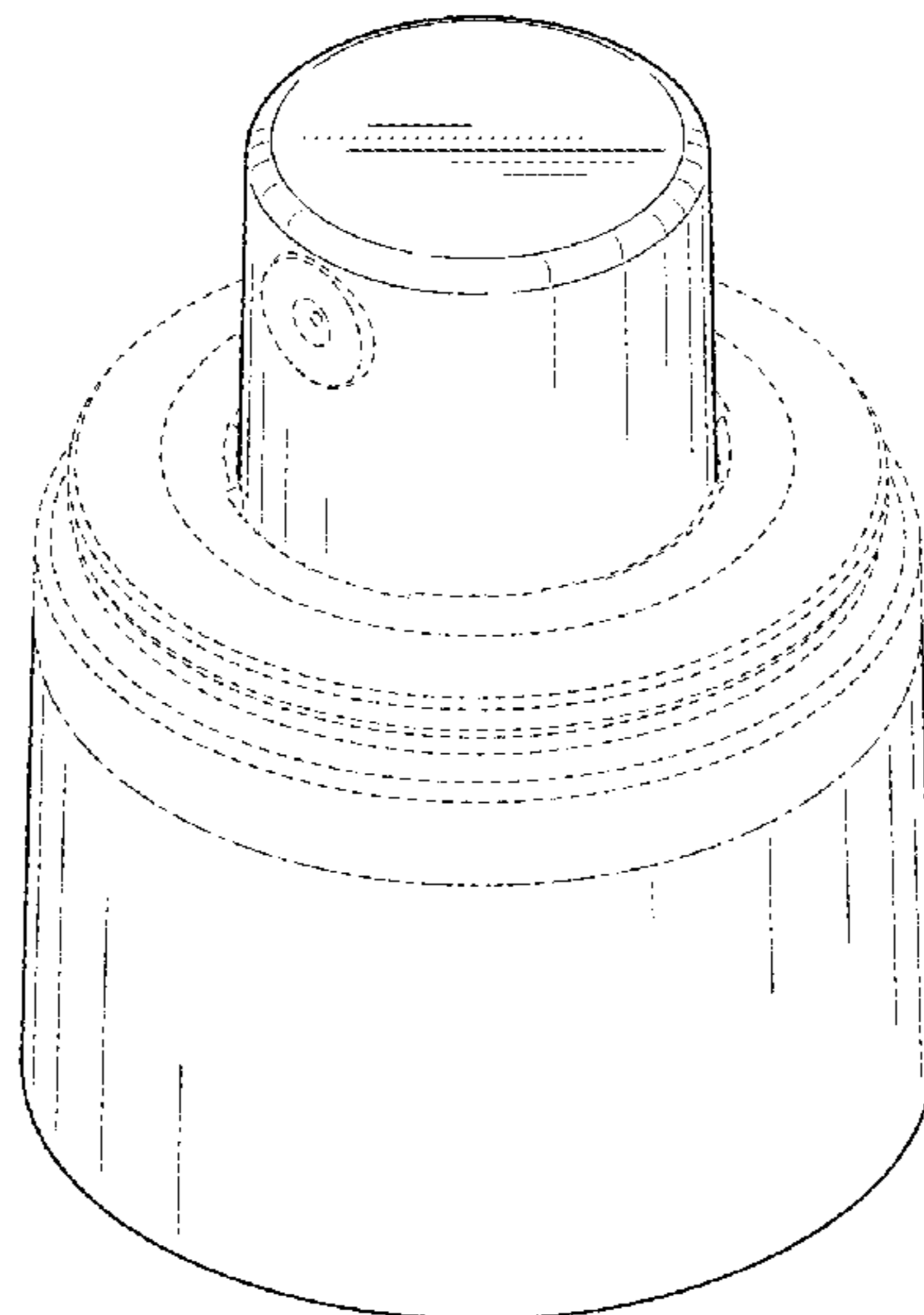
FIG. 4 is a right side elevational view of the actuator of FIG. 1;

FIG. 5 is a left side elevational view of the actuator of FIG. 1; and,

FIG. 6 is a top plan view of the actuator of FIG. 1.

The dash-dash-dash-dash broken lines are included for the purpose of illustrating portions that form no part of the claimed design. The dash-dot-dash lines are included for the purpose of illustrating a boundary line, and form no part of the claimed design.

1 Claim, 4 Drawing Sheets



(56)

References Cited

U.S. PATENT DOCUMENTS

3,674,184 A 7/1972 Ewald
 D225,972 S 1/1973 Khetani
 3,722,725 A 3/1973 Khetani
 D235,342 S * 6/1975 Otto D23/260
 D265,280 S 7/1982 Conti
 4,566,600 A 1/1986 Chang
 4,609,418 A 9/1986 Yoshino et al.
 D404,295 S 1/1999 Bertolini et al.
 6,302,302 B1 10/2001 Albisetti
 D453,472 S * 2/2002 Kwong D9/447
 D462,009 S 8/2002 Poisson et al.
 D478,284 S 8/2003 Pannozzo et al.
 D478,285 S 8/2003 Pannozzo et al.
 D478,286 S 8/2003 Futral et al.
 D481,949 S 11/2003 Pinnavaia
 D481,956 S 11/2003 Pinnavaia
 D500,445 S 1/2005 DeBiasse et al.
 D503,343 S 3/2005 Canino
 D505,073 S 5/2005 Flurer et al.
 D505,980 S 6/2005 Eichhorn
 D509,136 S 9/2005 Walters et al.
 D515,421 S * 2/2006 Rossignol D9/448
 D517,412 S 3/2006 Walters
 D527,264 S 8/2006 Haley et al.
 D532,692 S * 11/2006 Cornet D9/448
 D534,079 S 12/2006 Livingston
 D534,390 S 1/2007 DeLonghi
 D551,077 S * 9/2007 Bloc D9/448
 D553,499 S 10/2007 Lavelli
 D566,559 S 4/2008 Swint et al.
 D575,581 S 8/2008 Harris
 D576,448 S 9/2008 Harris
 D591,151 S 4/2009 Freeman
 D592,905 S 5/2009 Pinelli et al.
 D592,913 S 5/2009 Pinelli et al.
 D593,364 S 6/2009 Harris
 D595,570 S * 7/2009 Moretti D9/434
 D596,940 S * 7/2009 Eigenstetter D9/448
 D610,910 S 3/2010 Simmons et al.
 D618,103 S 6/2010 Leventhal
 D628,894 S 12/2010 Pontes
 D642,067 S 7/2011 Azar
 D642,469 S 8/2011 Lauret
 D643,737 S 8/2011 Handy
 D646,572 S 10/2011 Koeleman
 D646,926 S 10/2011 Willat et al.
 D647,400 S 10/2011 Fields
 D649,235 S 11/2011 Crapser et al.
 D650,677 S 12/2011 Wurster et al.
 D652,306 S 1/2012 Drake et al.
 D652,319 S 1/2012 Cohen et al.
 D663,618 S 7/2012 Cohen et al.
 D664,432 S 7/2012 Jordan
 D671,004 S 11/2012 Kelly et al.
 D671,409 S 11/2012 Cohen et al.
 D679,998 S * 4/2013 Kim D9/447
 D683,239 S 5/2013 Broen et al.
 D684,052 S * 6/2013 Bakic D9/448
 D686,509 S 7/2013 Ashiwa et al.
 D699,111 S 2/2014 Jeong
 D705,067 S 5/2014 Dubitsky et al.
 D716,661 S 11/2014 Dubitsky et al.
 D731,893 S 6/2015 Chung
 D745,398 S 12/2015 Cotton
 D752,391 S 3/2016 Hatherell
 9,309,032 B2 * 4/2016 Berge B65D 47/122
 D756,772 S * 5/2016 Wei D9/436
 D758,206 S 6/2016 Hoeke et al.
 D758,526 S 6/2016 Quail
 D760,549 S 7/2016 Haytayan et al.
 D760,550 S 7/2016 Haytayan et al.
 D760,590 S 7/2016 Renner et al.
 D761,656 S 7/2016 Renner et al.
 D766,084 S 9/2016 Jiang
 D766,096 S 9/2016 Moreaux et al.

D772,070 S 11/2016 Broen et al.
 D781,149 S 3/2017 Kaplan et al.
 D781,150 S 3/2017 Zoppas
 D782,309 S 3/2017 Jiang
 D783,410 S 4/2017 Bertaux
 D786,684 S 5/2017 McGreevy et al.
 D787,114 S 5/2017 Scott
 D787,939 S 5/2017 Lam
 D793,232 S 8/2017 Buck
 D794,450 S * 8/2017 Moreaux D9/434
 9,801,969 B2 * 10/2017 Griffis B65D 51/245
 9,862,535 B2 1/2018 Christianson et al.
 D816,502 S 5/2018 Harris et al.
 D818,360 S * 5/2018 Oates, II D9/435
 D821,200 S 6/2018 Harris et al.
 D821,201 S 6/2018 Harris et al.
 D821,202 S 6/2018 Harris et al.
 D821,203 S 6/2018 Prater et al.
 D821,205 S 6/2018 Christianson et al.
 D821,206 S 6/2018 Christianson et al.
 D821,877 S 7/2018 Harris et al.
 D829,102 S 9/2018 Harris et al.
 D830,178 S 10/2018 Prater et al.
 D830,827 S 10/2018 Prater et al.
 D834,420 S 11/2018 Harris et al.
 D841,465 S * 2/2019 Christianson D9/448
 D841,469 S 2/2019 Christianson et al.
 2017/0233171 A1 8/2017 Christianson et al.
 2017/0341849 A1 11/2017 Wolak et al.

FOREIGN PATENT DOCUMENTS

EM 000133483-0009 2/2004
 EM 000241195-0002 10/2004
 EM 000272778-0002 12/2004
 EM 000272778-0003 12/2004
 EM 000277660-0001 1/2005
 EM 000277660-0002 1/2005
 EM 000395389-0002 8/2005
 EM 000396320-0001 9/2005
 EM 000578935-0001 8/2006
 EM 000578935-0003 8/2006
 EM 000799812-0007 1/2007
 EM 000668785-0001 2/2007
 EM 000758743-0022 7/2007
 EM 000758743-0024 7/2007
 EM 000930847-0007 5/2008
 EM 000930847-0008 5/2008
 EM 000988605-0004 8/2008
 EM 001087852-0001 2/2009
 EM 001118384-0011 4/2009
 EM 001549460-0001 6/2009
 EM 001154470-0001 7/2009
 EM 001215875-0001 5/2010
 EM 001215875-0002 5/2010
 EM 001215875-0003 5/2010
 EM 001229678-0006 8/2010
 EM 001750373-0001 9/2010
 EM 001977398-0001 1/2012
 EM 002170902-0001 1/2013
 EM 002280933-0001 7/2013
 EM 002280933-0002 7/2013
 EM 002280933-0003 7/2013
 EM 002280933-0004 7/2013
 EM 002280933-0005 7/2013
 EM 002280933-0006 7/2013
 EM 002280933-0007 7/2013
 EM 002280933-0008 7/2013
 EM 002280933-0009 7/2013
 EM 002280933-0010 7/2013
 EM 002280933-0011 7/2013
 EM 002306704-0001 9/2013
 EM 002366609-0001 12/2013
 EM 002444570-0001 4/2014
 EM 002500173-0010 7/2014
 EM 002500173-0011 7/2014
 EM 002500173-0012 7/2014
 EM 002573386-0001 11/2014
 EM 002573386-0002 11/2014

(56)

References Cited

FOREIGN PATENT DOCUMENTS

| | | |
|----|----------------|---------|
| EM | 002641282-0001 | 2/2015 |
| EM | 002646554-0007 | 3/2015 |
| EM | 002646554-0008 | 3/2015 |
| EM | 002664839-0003 | 3/2015 |
| EM | 002664839-0007 | 3/2015 |
| EM | 002677765-0001 | 4/2015 |
| EM | 002677765-0002 | 4/2015 |
| EM | 002688143-0001 | 4/2015 |
| EM | 002738773-0003 | 7/2015 |
| EM | 002738773-0030 | 7/2015 |
| EM | 002760538-0001 | 8/2015 |
| EM | 002974410-0001 | 2/2016 |
| EM | 002982595-0001 | 2/2016 |
| EM | 002982595-0002 | 2/2016 |
| EM | 003037548-0001 | 3/2016 |
| EM | 003037548-0002 | 3/2016 |
| EM | 003037548-0003 | 3/2016 |
| EM | 003037548-0004 | 3/2016 |
| EM | 003037548-0005 | 3/2016 |
| EM | 003037548-0006 | 3/2016 |
| EM | 003037548-0007 | 3/2016 |
| EM | 003122761-0003 | 5/2016 |
| EM | 003456482-0001 | 11/2016 |
| EM | 003456821-0001 | 11/2016 |
| EM | 003566678-0001 | 1/2017 |
| EM | 003744507-0001 | 2/2017 |
| EM | 003744507-0002 | 2/2017 |
| EM | 003763689-0001 | 2/2017 |
| EM | 003811959-0002 | 3/2017 |
| EM | 003849975-0002 | 4/2017 |
| EM | 003849975-0003 | 4/2017 |
| EM | 003849975-0004 | 4/2017 |
| EM | 003849975-0005 | 4/2017 |
| EM | 003849975-0006 | 4/2017 |
| EM | 003849975-0007 | 4/2017 |
| EM | 003849975-0008 | 4/2017 |
| EM | 003850718-0001 | 4/2017 |
| EM | 003850718-0002 | 4/2017 |
| EM | 003850718-0003 | 4/2017 |
| EM | 003850718-0004 | 4/2017 |
| EM | 003850718-0005 | 4/2017 |
| EM | 003850718-0006 | 4/2017 |
| EM | 003850718-0007 | 4/2017 |

| | | |
|----|----------------|---------|
| EM | 003850718-0008 | 4/2017 |
| EM | 003852870-0001 | 4/2017 |
| EM | 003860709-0001 | 4/2017 |
| EM | 003860709-0002 | 4/2017 |
| EM | 003938059-0035 | 5/2017 |
| EM | 003997030-0001 | 5/2017 |
| EM | 003849975-0001 | 7/2017 |
| EM | 004096386-0001 | 7/2017 |
| EM | 002521591-0004 | 8/2017 |
| FR | 1562239 A | 4/1969 |
| JP | 1070395 S | 5/2000 |
| JP | 1314762 S | 11/2007 |
| KR | 30-0585007 | 1/2011 |
| KR | 20110113249 A | 10/2011 |
| KR | 20110128672 A | 11/2011 |
| WO | 2007022422 A2 | 2/2007 |
| WO | DM075176 | 1/2011 |
| WO | DM080572 | 4/2013 |
| WO | DM087151 | 6/2015 |
| WO | DM089369 | 2/2016 |
| WO | DM094995 | 1/2017 |
| WO | DM095773 | 4/2017 |
| WO | DM070336 | 4/2018 |

OTHER PUBLICATIONS

Examination report No. 1 for standard patent application issued in corresponding Australian Patent Application No. 2017217437, dated Jul. 25, 2018, 3 pages.

Notice of Allowance issued in corresponding Japanese Application No. 2018-005084 dated Nov. 13, 2018, 3 pages. (English translation is not available).

Coiffure de Paris, vol. 1148, p. 45, (JP Patent Office Publication No. HB21004258), 2 pages.

S.C. Johnson. New Beginnings in Ghana by Nina Henning. 2 pages, Oct. 8, 2014 [earliest online date], [site visited Apr. 24, 2018]. Available from Internet, <URL:<http://www.scjohnson.com/en/commitment/better-lives/Article.aspx?date=14-10-08&title=New-Beginnings-in-Ghana>>. (Year: 2014).

First Office Action issued in corresponding Chinese Application No. 201780023514.0 dated Jul. 2, 2019, 10 pages.

EP Communication pursuant to Article 94(3) EPC, EP17706065.4, dated Dec. 11, 2019, 8 pages.

* cited by examiner

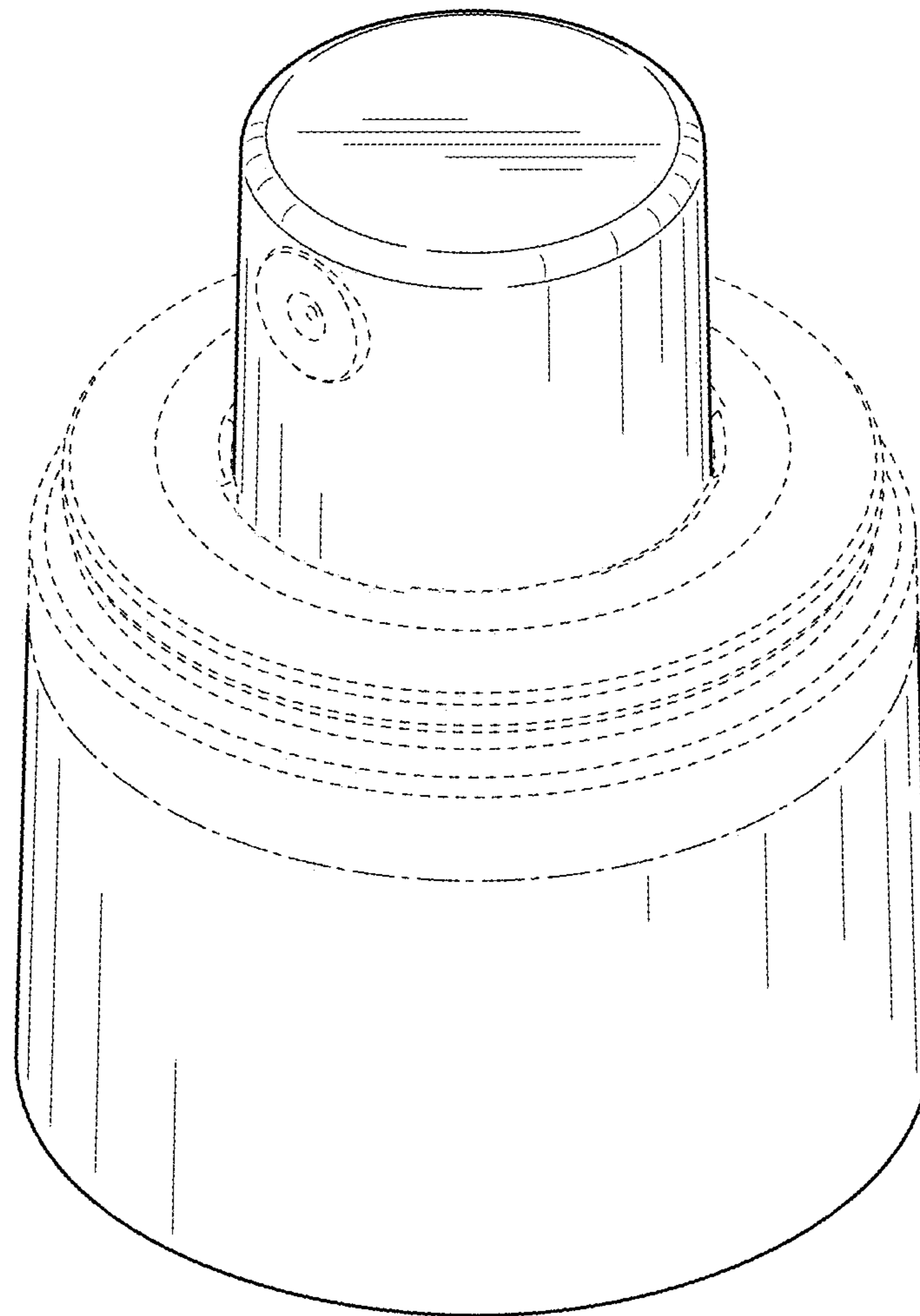


FIG. 1

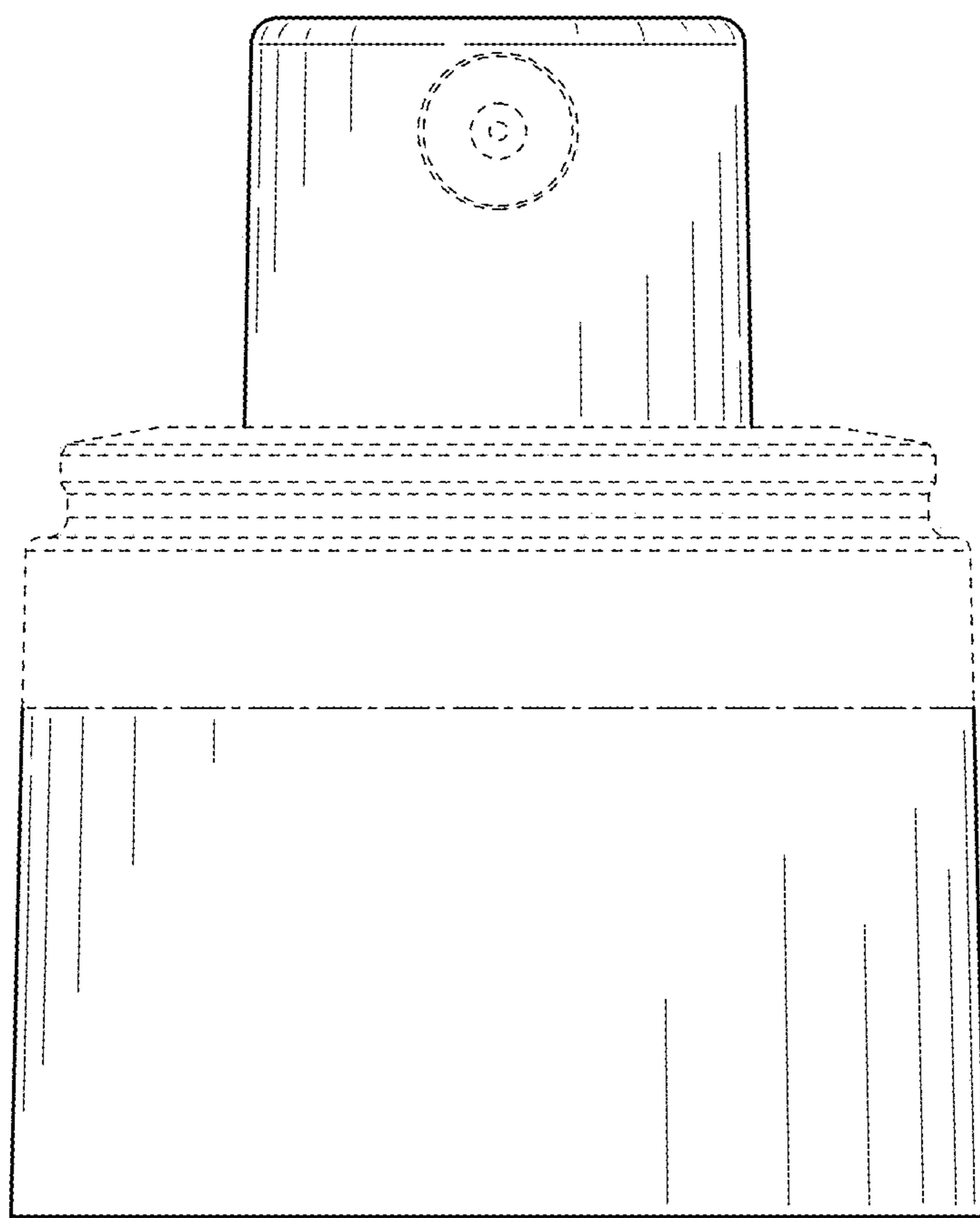


FIG. 2

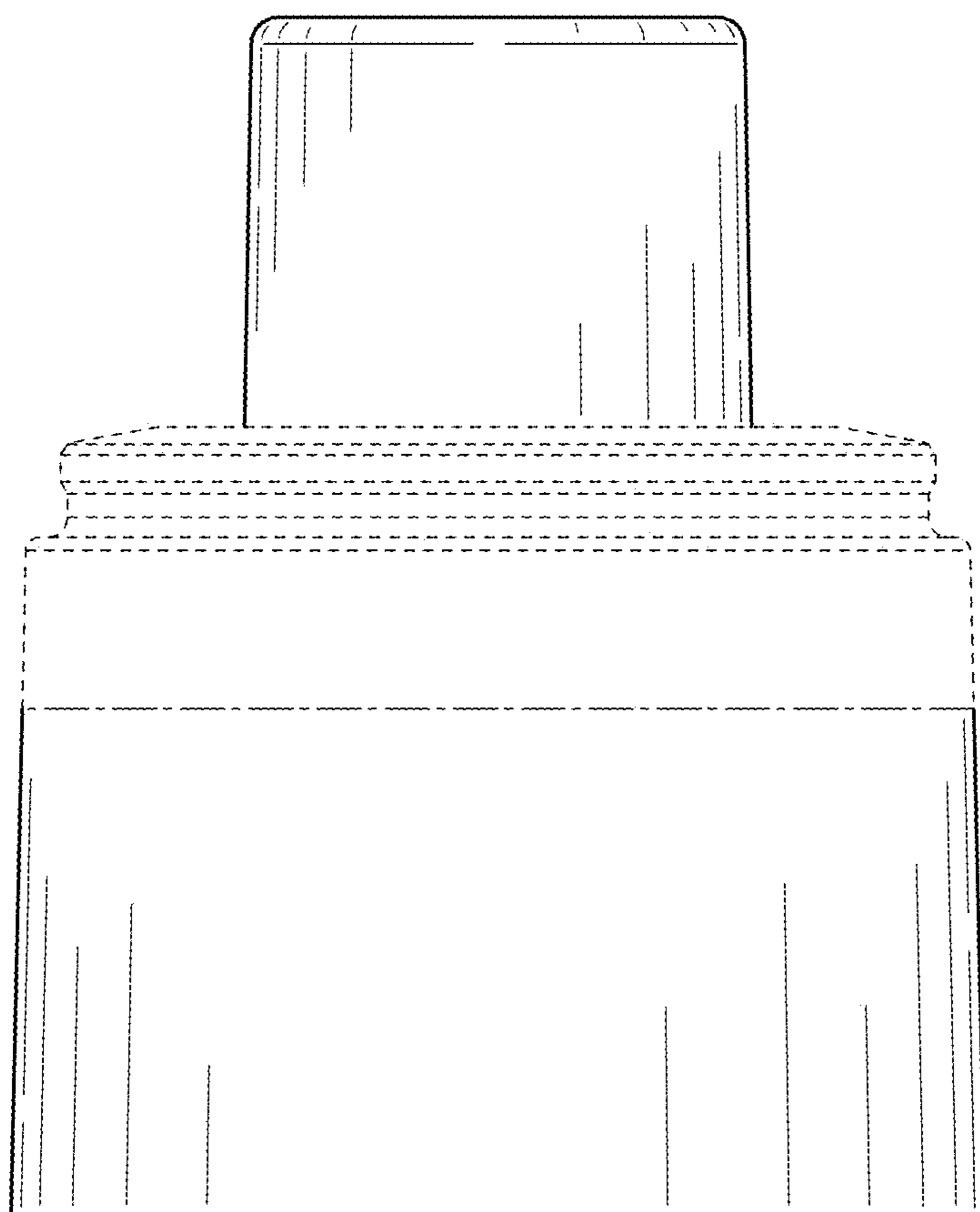


FIG. 3

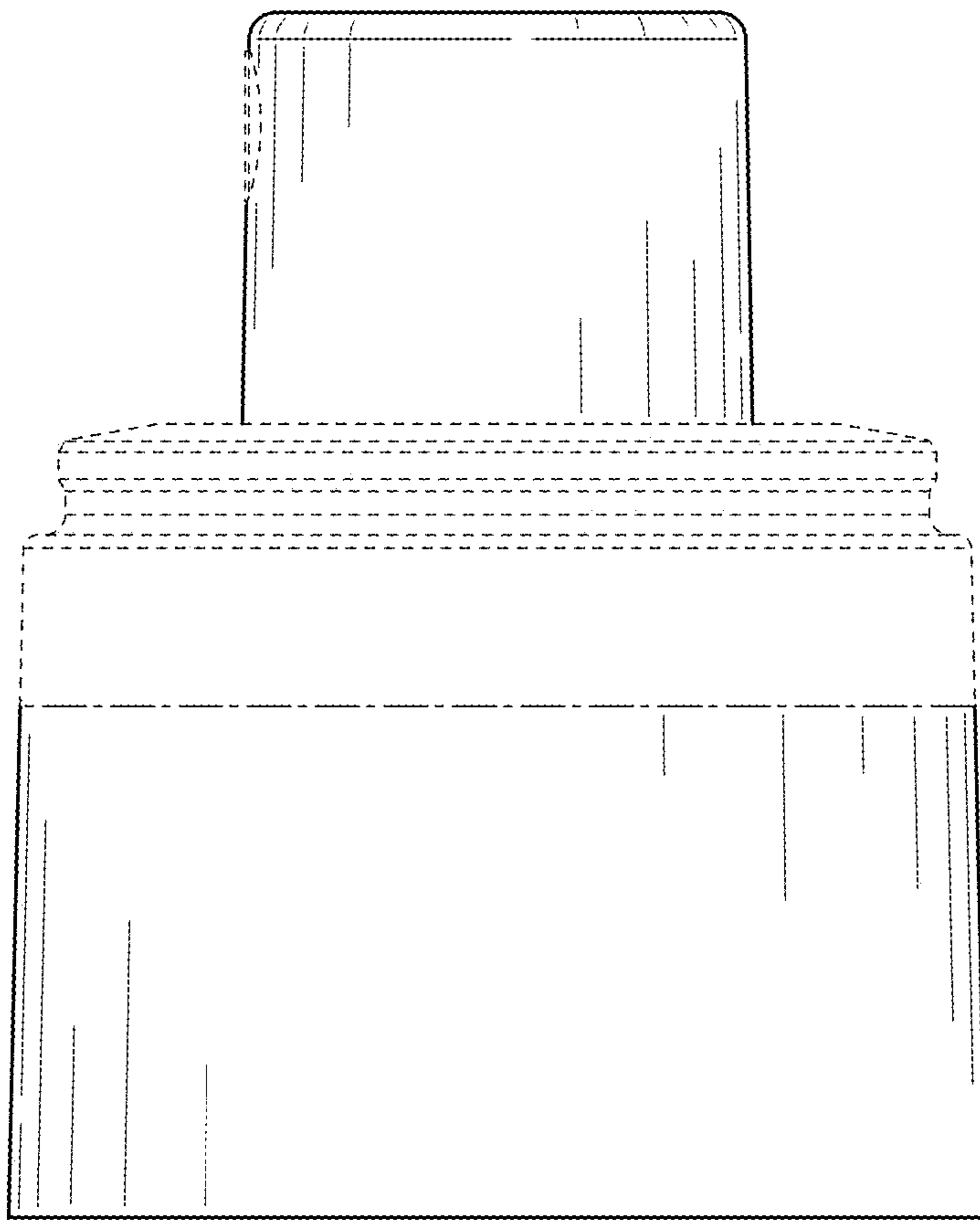


FIG. 4

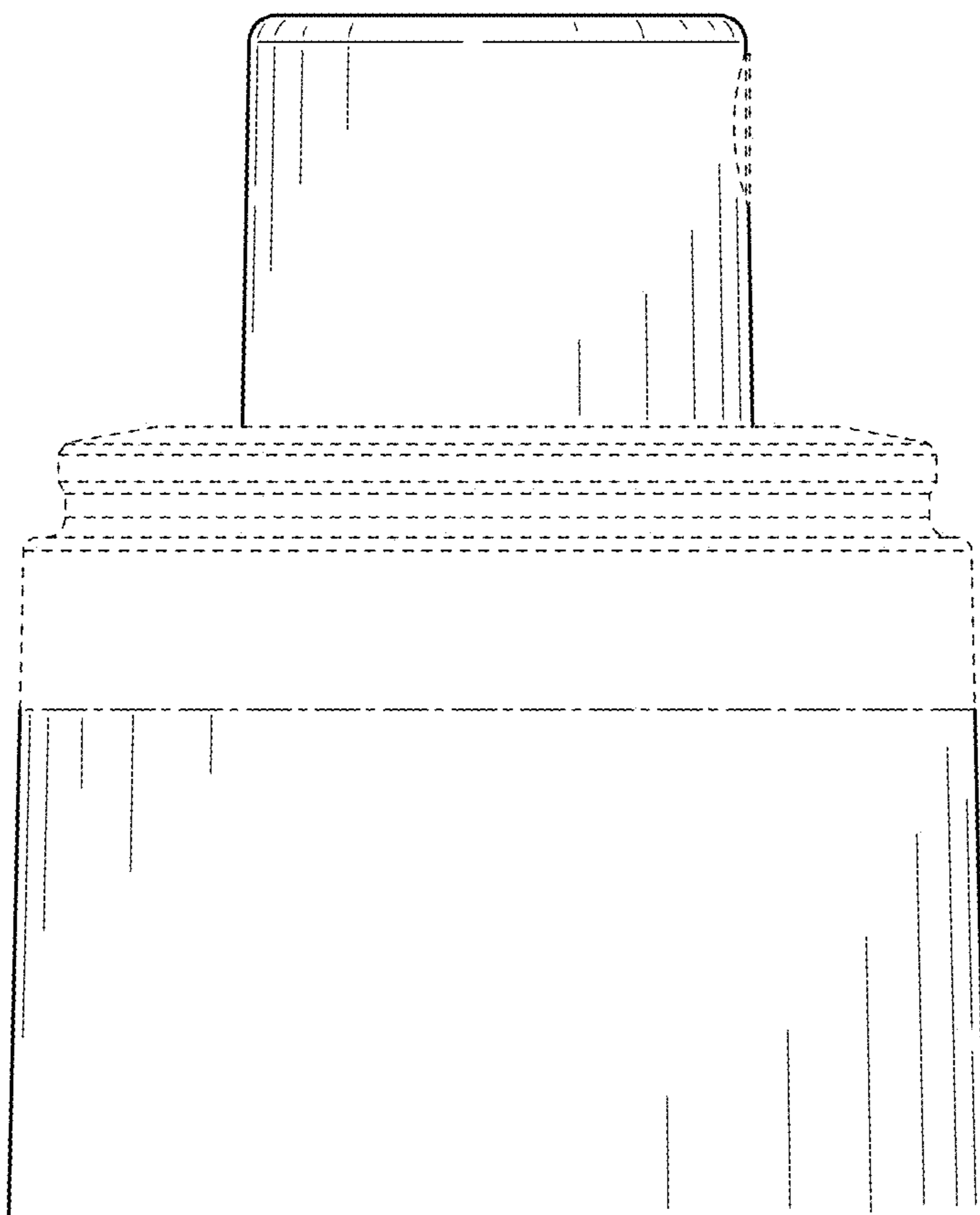


FIG. 5

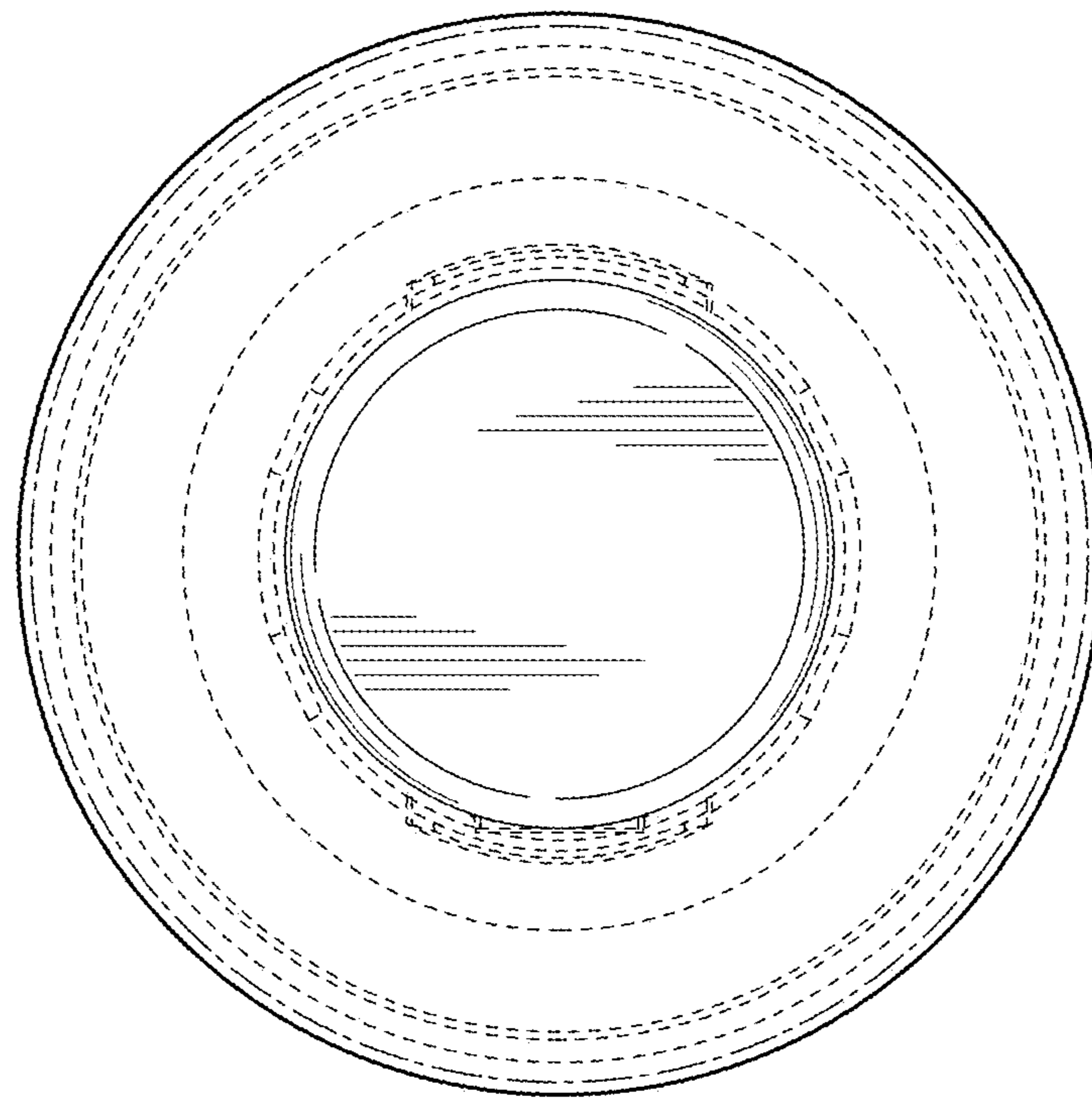


FIG. 6