



US00D881006S

(12) **United States Design Patent**  
**Prentice**

(10) **Patent No.:** **US D881,006 S**  
(45) **Date of Patent:** **\*\* Apr. 14, 2020**

(54) **DISPENSER CAP**

FOREIGN PATENT DOCUMENTS

(71) Applicant: **Allied Hygiene Systems, Ltd.**, Erith,  
Kent (GB)

EM 002980938-0001 2/2016  
EM 002980938-0002 2/2016

(72) Inventor: **Andrew Prentice**, Corby (GB)

OTHER PUBLICATIONS

(73) Assignee: **Allied Hygiene Systems, Ltd.**, Erith,  
Kent (GB)

Aero Hydraulics. Degreasing Wipes (IPGM) by Allied Hygiene. No date specified. <https://aerohydraulics.com/degreasing-wipes-ipgm/> (Year: 0).\*

(\*\*) Term: **15 Years**

Amazon. Grime-eez Heavy Duty Abrasive Hand Wet Wipes by Linked Supply Cleaning. May 14, 2017. <https://www.amazon.co.uk/Grime-eez-Heavy-Duty-Abrasive-Wipes/dp/B071VRH3TN> (Year: 2017).\*

(21) Appl. No.: **29/658,701**

(22) Filed: **Aug. 2, 2018**

\* cited by examiner

(51) **LOC (12) Cl.** ..... **09-06**

(52) **U.S. Cl.**  
USPC ..... **D9/446**

(58) **Field of Classification Search**  
USPC ..... D7/387, 392.1, 396.2; D9/434-436, 440,  
D9/443, 446-449, 454, 455, 499  
CPC ..... B65D 55/16; B65D 39/084  
See application file for complete search history.

*Primary Examiner* — Darcey E Gottschalk  
(74) *Attorney, Agent, or Firm* — Stephen T. Scherrer;  
Monique A. Morneault; Scherrer Patent & Trademark  
Law. P.C.

(56) **References Cited**

(57) **CLAIM**

The ornamental design for a dispenser cap, as shown and described.

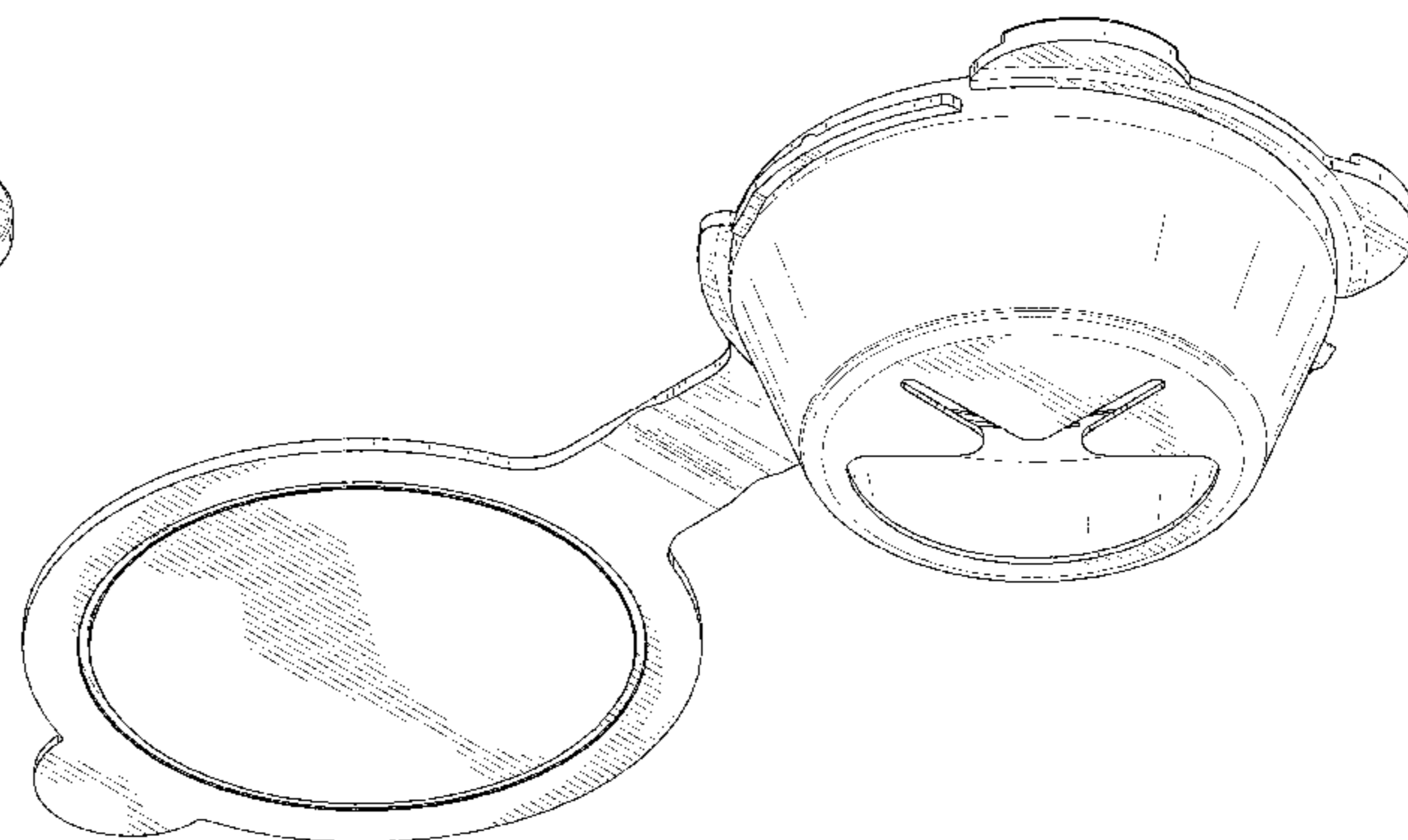
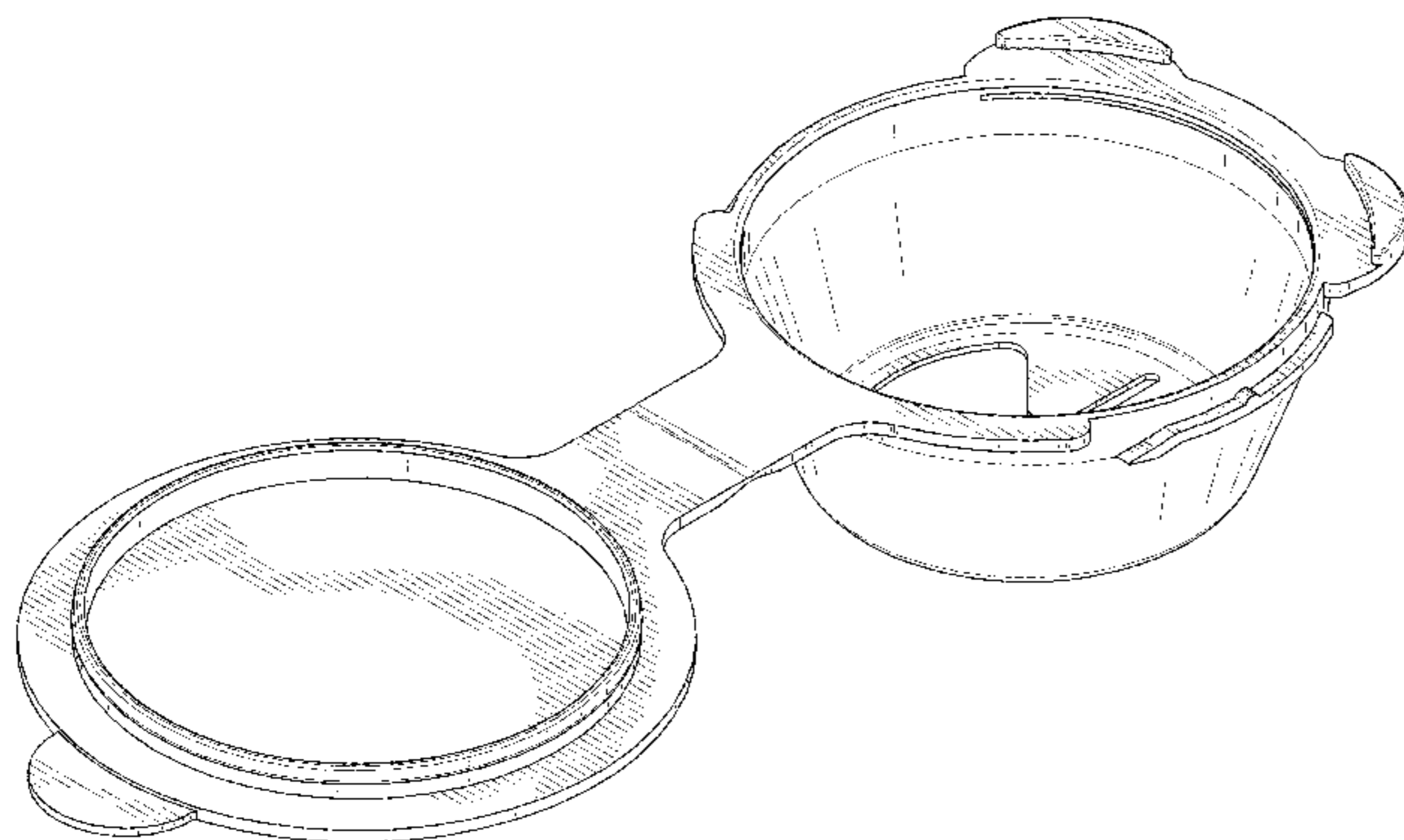
U.S. PATENT DOCUMENTS

2,789,717	A *	4/1957	Demke	.....	B65D 55/16
					215/235
D404,646	S *	1/1999	Black, Sr.	.....	D9/440
D489,263	S *	5/2004	Sinanian	.....	D9/455
D535,562	S *	1/2007	Wisler	.....	D9/434
D676,318	S *	2/2013	MacNeill	.....	D9/446
D693,650	S *	11/2013	De Leo	.....	D7/629
D753,998	S *	4/2016	Murphey	.....	D9/446
D769,713	S *	10/2016	Moore	.....	D9/446
D776,533	S *	1/2017	Kikel	.....	D9/446
D809,919	S *	2/2018	Carlson	.....	D9/436
D839,730	S *	2/2019	Wang	.....	D9/446
D854,877	S *	7/2019	Kohlendorfer	.....	D7/391
10,414,564	B2 *	9/2019	Shively	.....	B65D 55/16
10,421,593	B1 *	9/2019	Litten	.....	B65D 55/16

**DESCRIPTION**

FIG. 1 is a perspective view of a dispenser cap showing our new design;  
FIG. 2 is a perspective bottom view of the dispenser cap;  
FIG. 3 is a front view of the dispenser cap;  
FIG. 4 is a rear view of the dispenser cap;  
FIG. 5 is a right side view of the dispenser cap;  
FIG. 6 is a left side view of the dispenser cap;  
FIG. 7 is a top view of the dispenser cap; and,  
FIG. 8 is a bottom view of the dispenser cap.

**1 Claim, 6 Drawing Sheets**



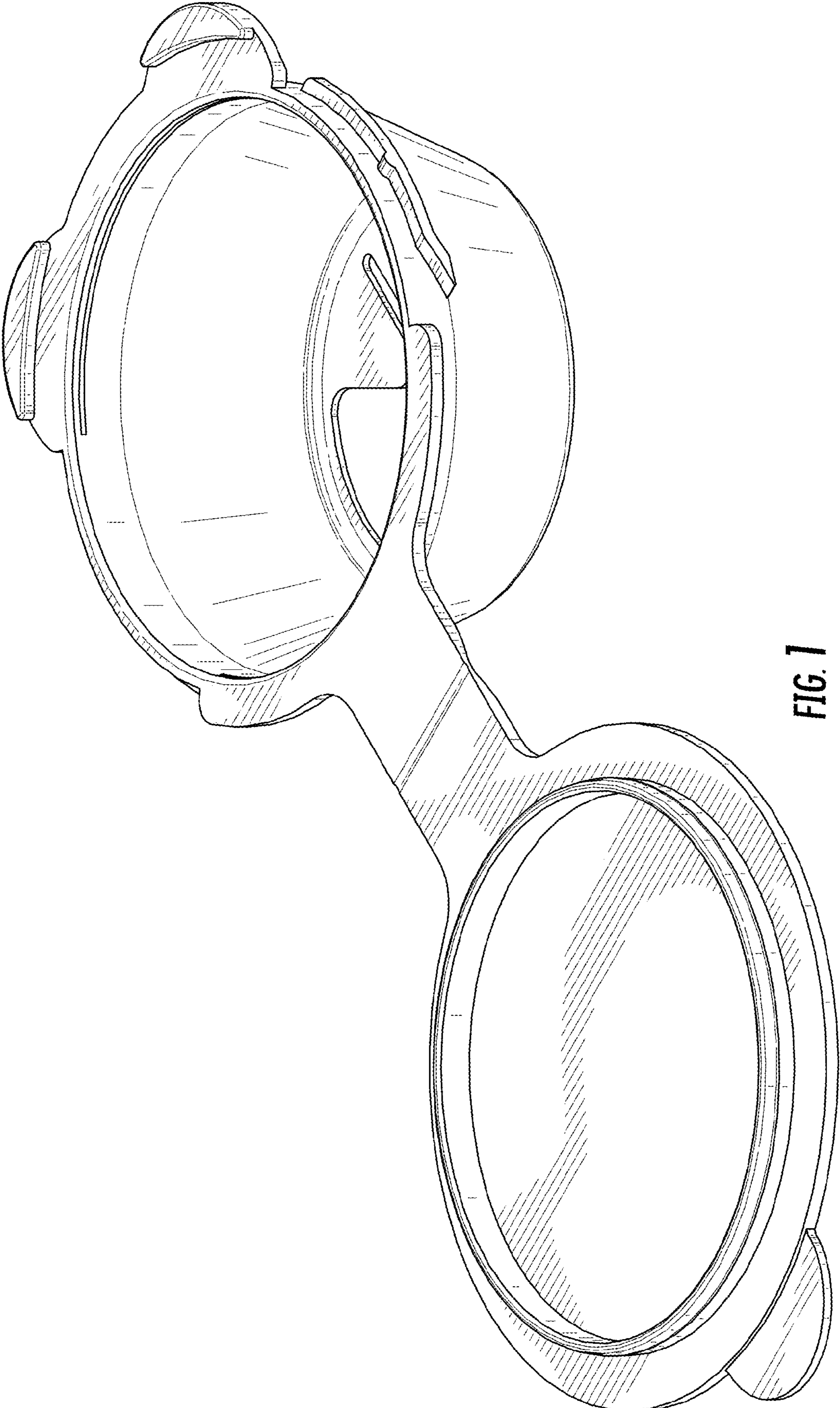


FIG. 1

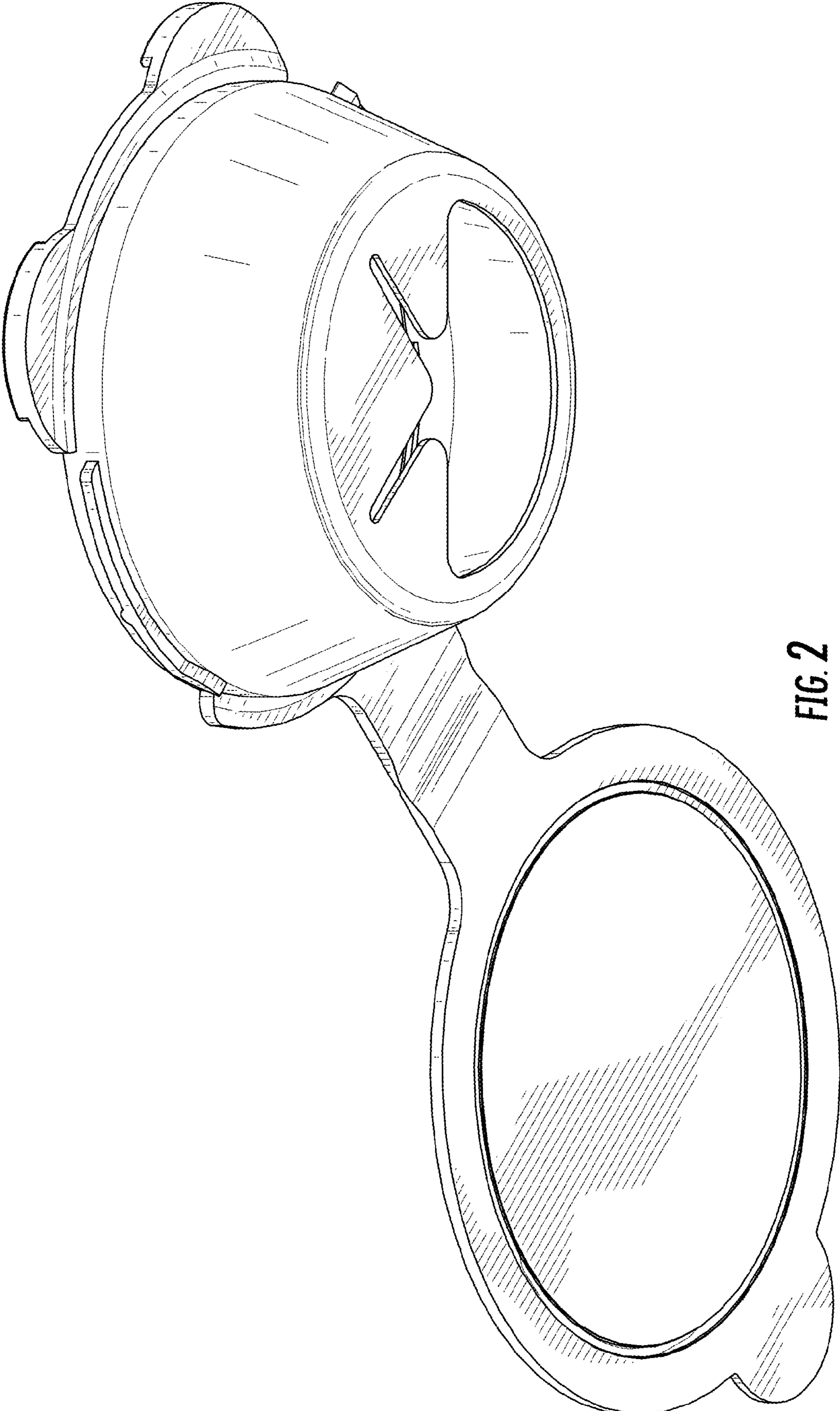
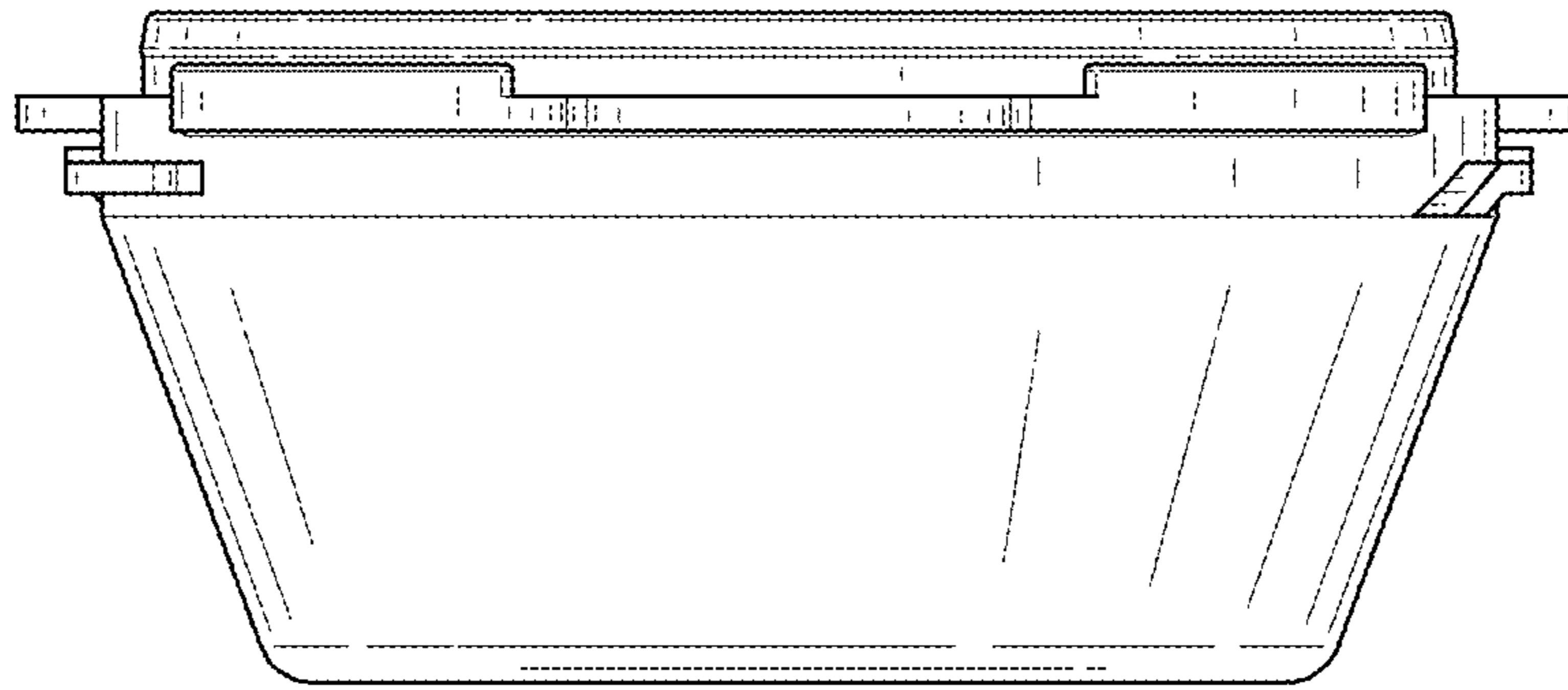
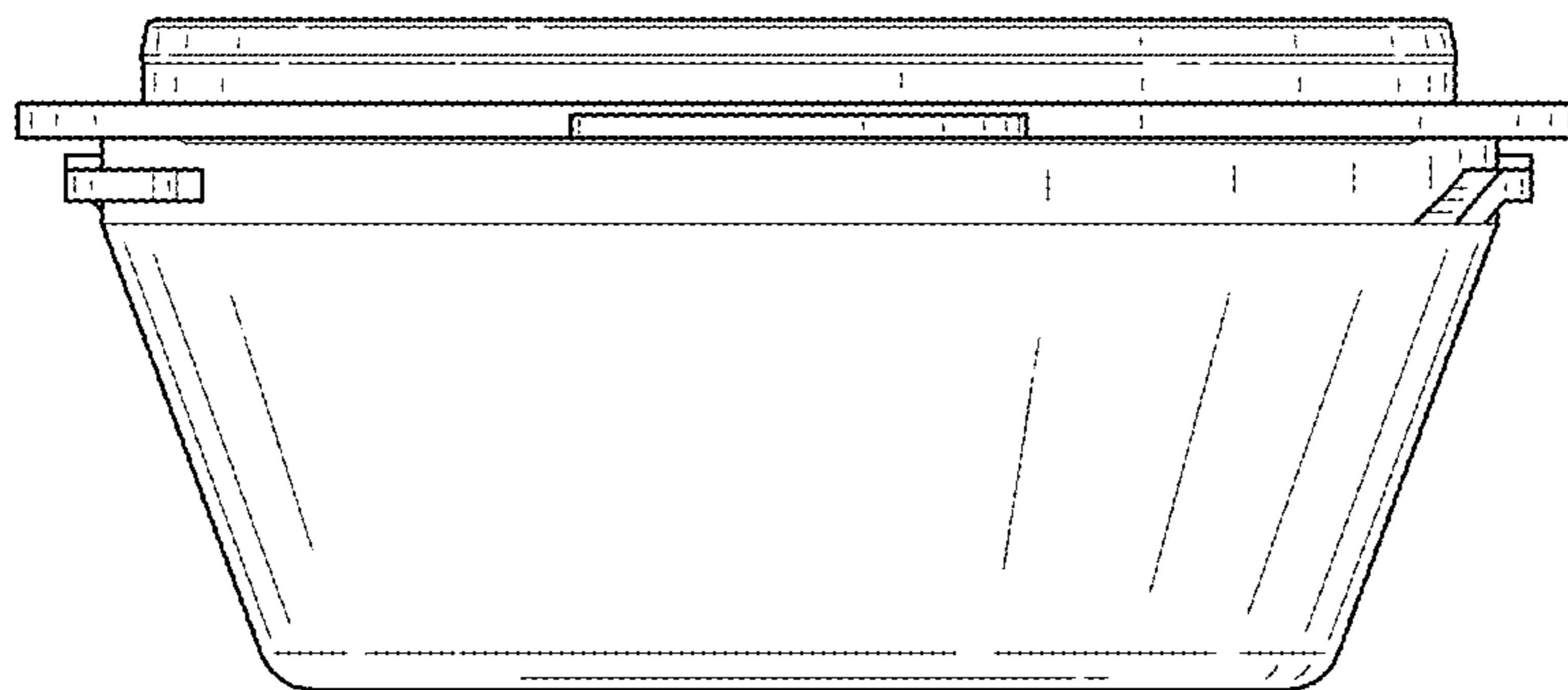


FIG. 2



**FIG. 3**



**FIG. 4**

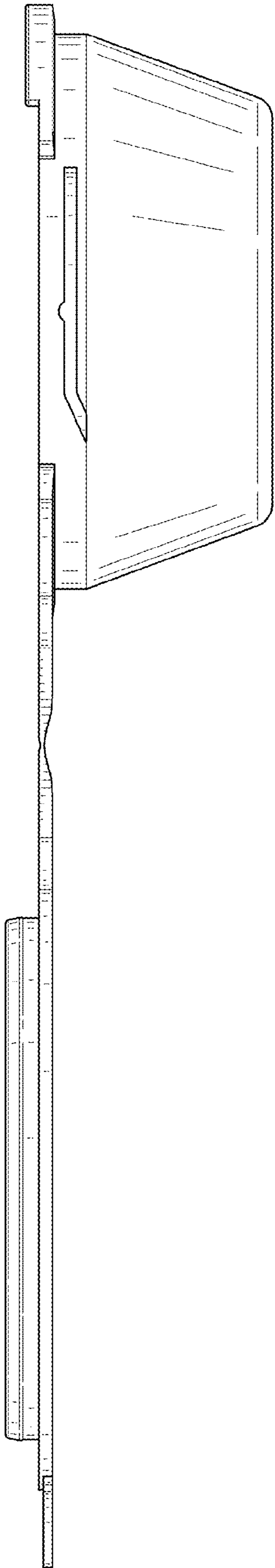


FIG. 5

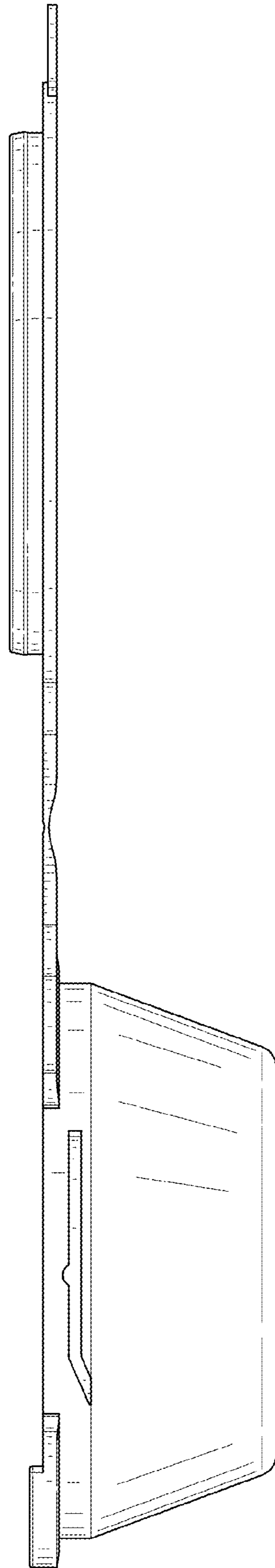
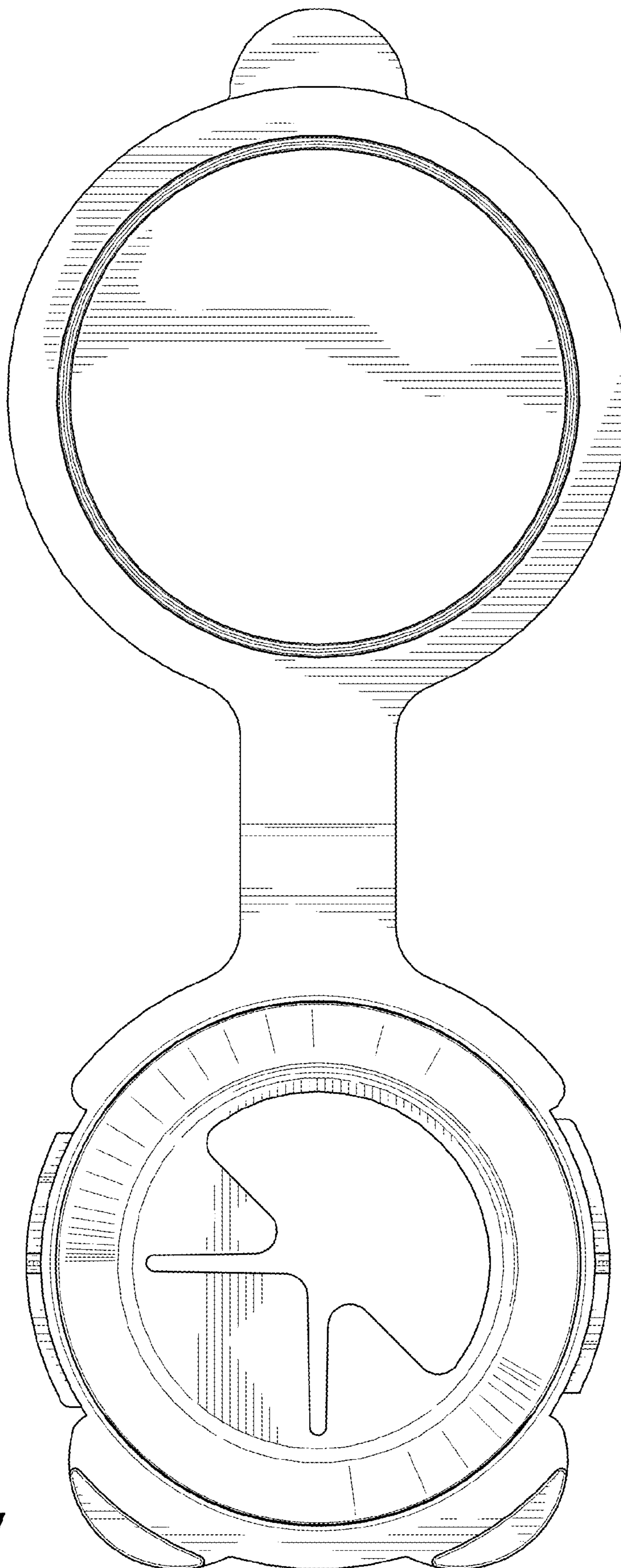


FIG. 6



**FIG. 7**

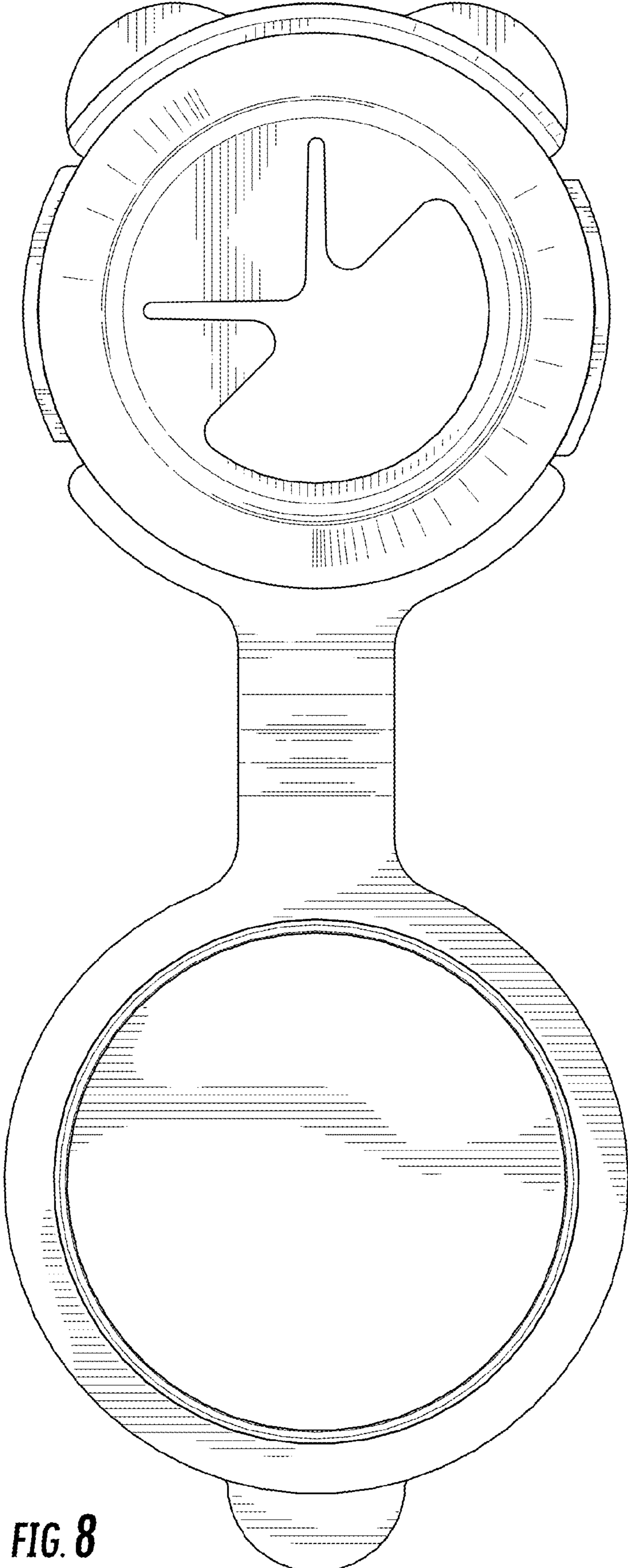


FIG. 8