



US00D881005S

(12) **United States Design Patent**  
**Ikushima**

(10) **Patent No.:** **US D881,005 S**  
(45) **Date of Patent:** **\*\* Apr. 14, 2020**

(54) **CAP FOR LIQUID DISCHARGE DISPENSER**

(71) Applicant: **MUSASHI ENGINEERING, INC.**,  
Tokyo (JP)

(72) Inventor: **Kazumasa Ikushima**, Tokyo (JP)

(\*\*) Term: **15 Years**

(21) Appl. No.: **35/505,243**

(22) Filed: **Nov. 17, 2017**

(80) **Hague Agreement Data**

Int. Filing Date: **Nov. 17, 2017**

Int. Reg. No.: **DM/101764**

Int. Reg. Date: **Nov. 17, 2017**

Int. Reg. Pub. Date: **Jul. 6, 2018**

(30) **Foreign Application Priority Data**

May 18, 2017 (JP) ..... 2017-010587

(51) **LOC (12) Cl.** ..... **09-07**

(52) **U.S. Cl.**  
USPC ..... **D9/435**

(58) **Field of Classification Search**

USPC ..... D9/414, 415, 420, 426, 428, 429, 434,  
D9/435-450; D3/201, 202, 318

CPC ..... B65D 47/06; B65D 47/08; B65D  
2543/00046; B65D 2543/00092; B65D  
2543/00296; B65D 5/46; B65D 2251/00

See application file for complete search history.

(56) **References Cited**

**U.S. PATENT DOCUMENTS**

D470,412 S \* 2/2003 Palmer-Ball ..... D9/435  
D509,738 S \* 9/2005 Kovara ..... D9/454  
D522,858 S \* 6/2006 Snedden ..... D9/435

D536,248 S \* 2/2007 Lesquir ..... D9/435  
D577,582 S \* 9/2008 Walsh ..... D9/438  
D577,998 S \* 10/2008 Decottignies ..... D9/448  
D619,000 S \* 7/2010 Scheve ..... D9/435  
D642,052 S \* 7/2011 Samartgis ..... D9/435  
D642,054 S \* 7/2011 Samartgis ..... D9/435  
D642,457 S \* 8/2011 Samartgis ..... D9/435  
D642,459 S \* 8/2011 Samartgis ..... D9/435  
D642,461 S \* 8/2011 Samartgis ..... D9/435  
D642,462 S \* 8/2011 Samartgis ..... D9/435  
D655,158 S \* 3/2012 Drozek ..... D9/435  
D686,072 S \* 7/2013 Wheaton ..... D9/435  
D694,575 S \* 12/2013 Andres ..... D7/392.1  
D698,199 S \* 1/2014 Yessin ..... D7/392.1  
D712,740 S \* 9/2014 Antal ..... D9/435  
D715,645 S \* 10/2014 Bergbohm ..... D9/435  
D727,724 S \* 4/2015 Pipes ..... A24F 23/00  
D9/428  
D838,166 S \* 1/2019 Rust ..... D9/435

\* cited by examiner

*Primary Examiner* — Melanie H Tung

*Assistant Examiner* — Bao-Yen T Nguyen

(57) **CLAIM**

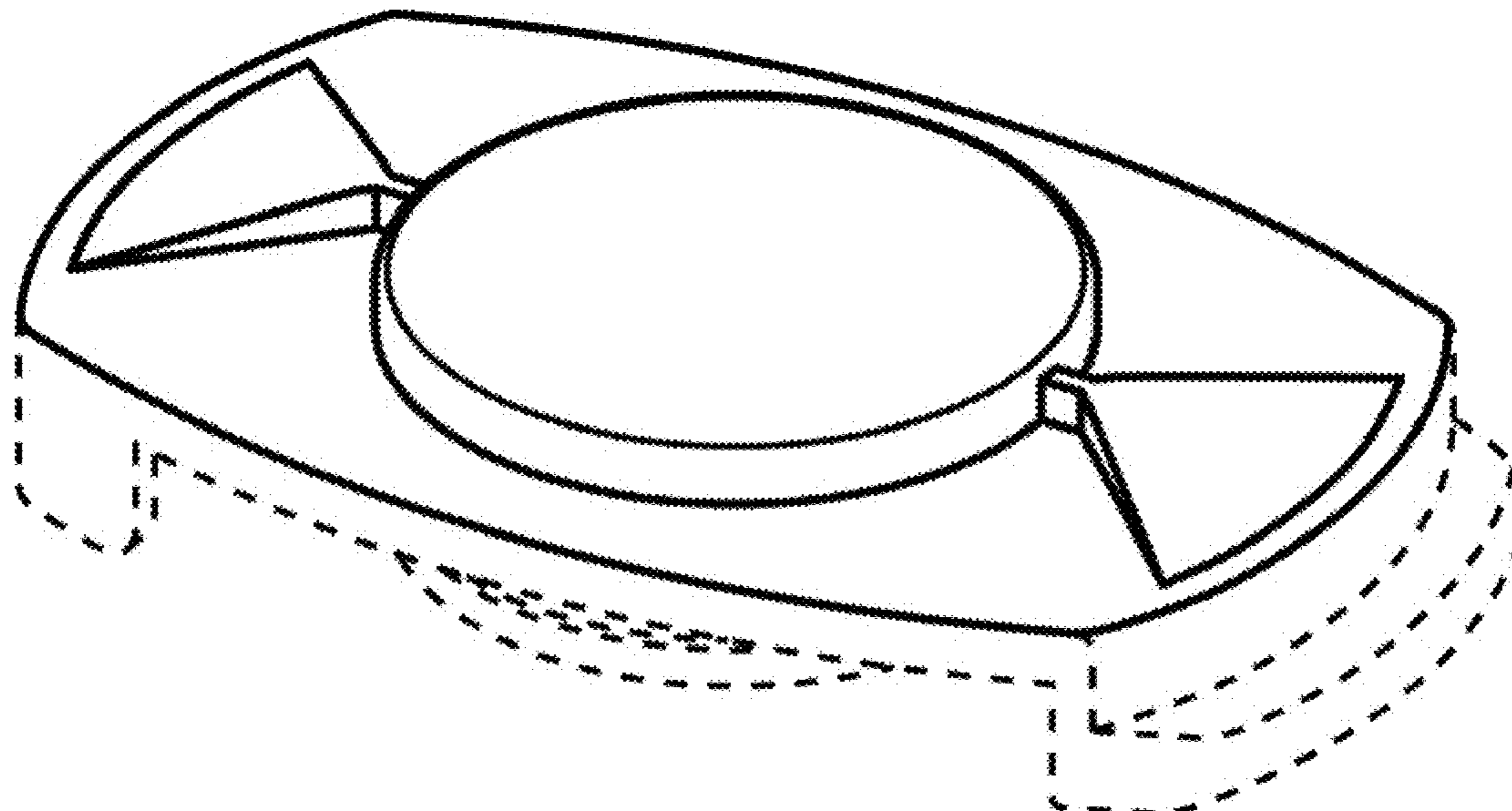
The ornamental design for cap for liquid discharge dispenser, as shown and described.

**DESCRIPTION**

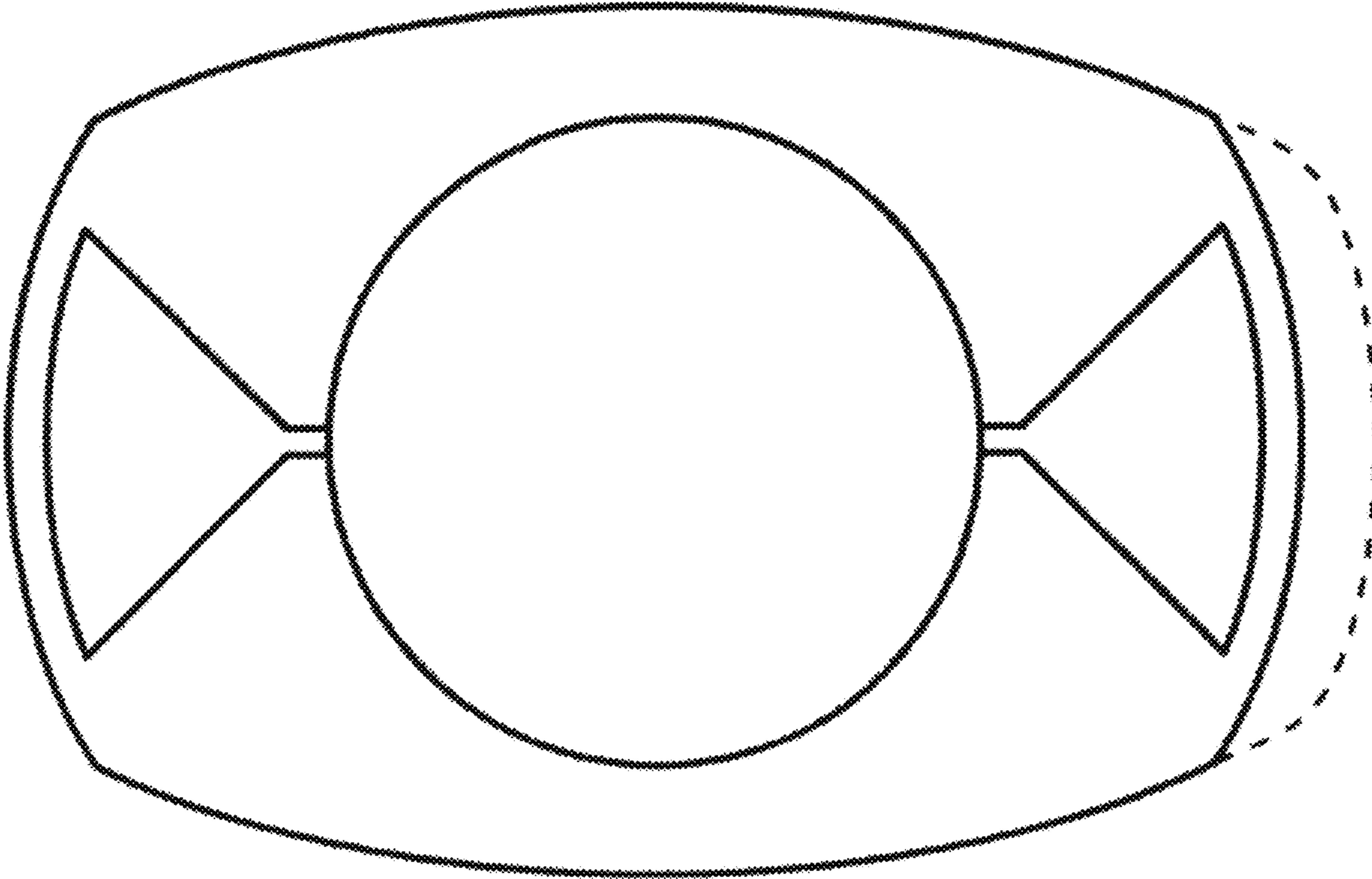
- 1.1: Front
- 1.2: Back
- 1.3: Right
- 1.4: Left
- 1.5: Top
- 1.6: Perspective
- 1.7: Top view in state of use

The broken lines depict the portions of the cap for liquid discharge dispenser that form no part of the claimed design. The broken lines in fig. 1.7 depict a liquid discharge dispenser that form no part of the claimed design.

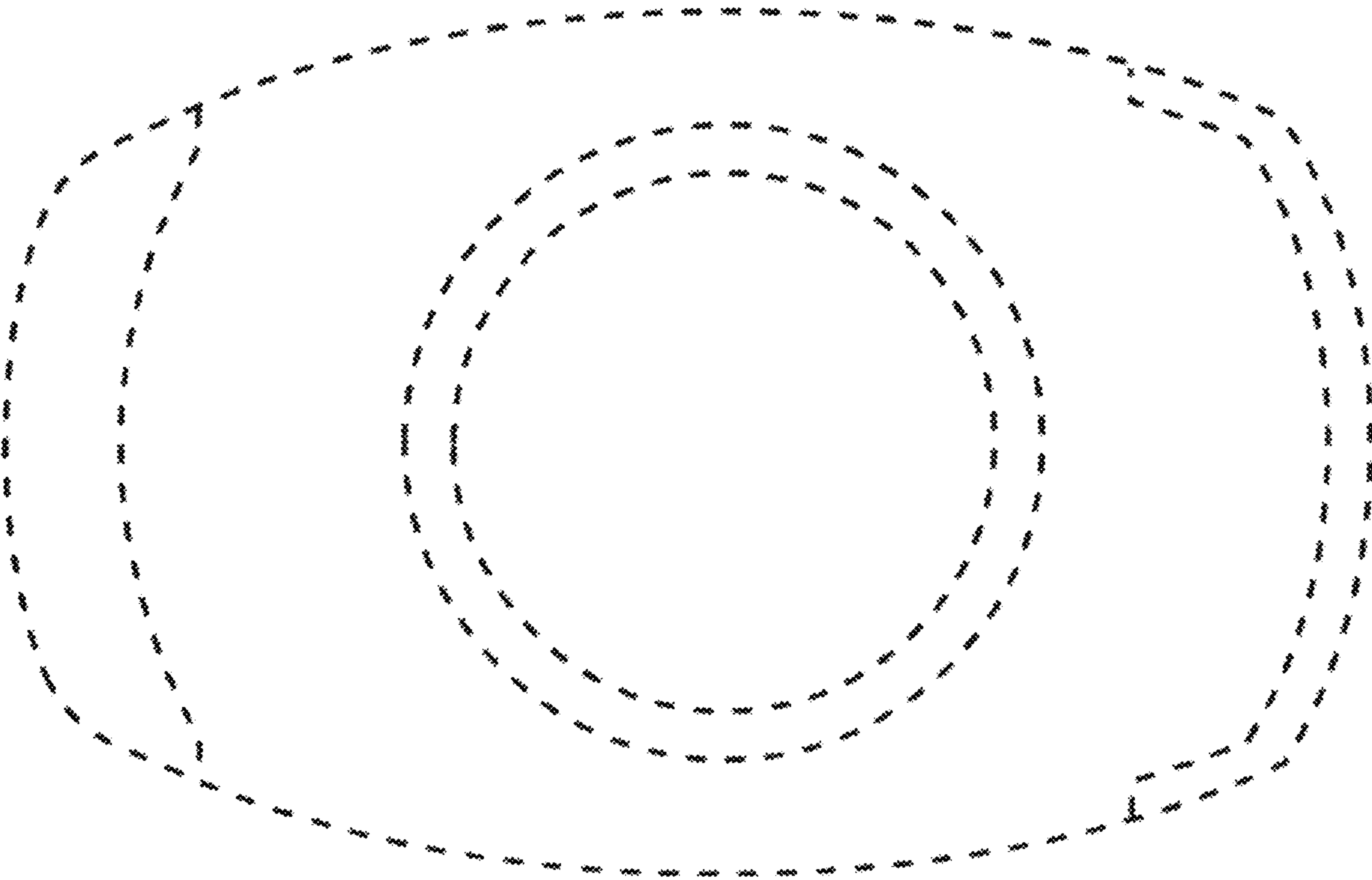
**1 Claim, 6 Drawing Sheets**



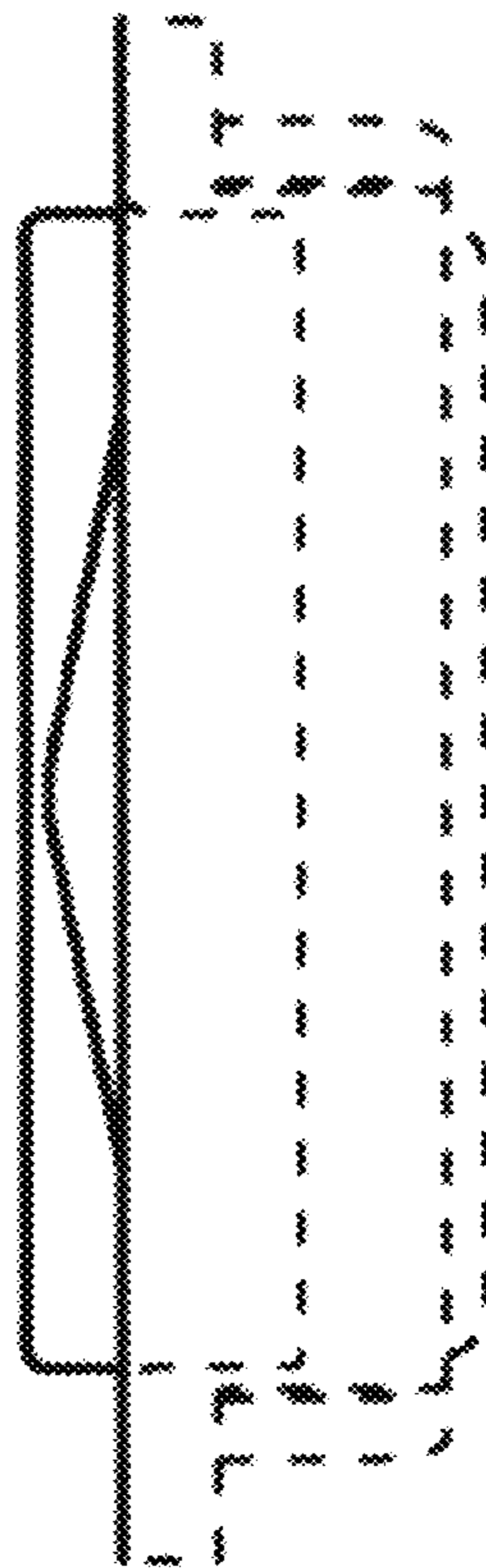
1.1



1.2



1.3



1.4

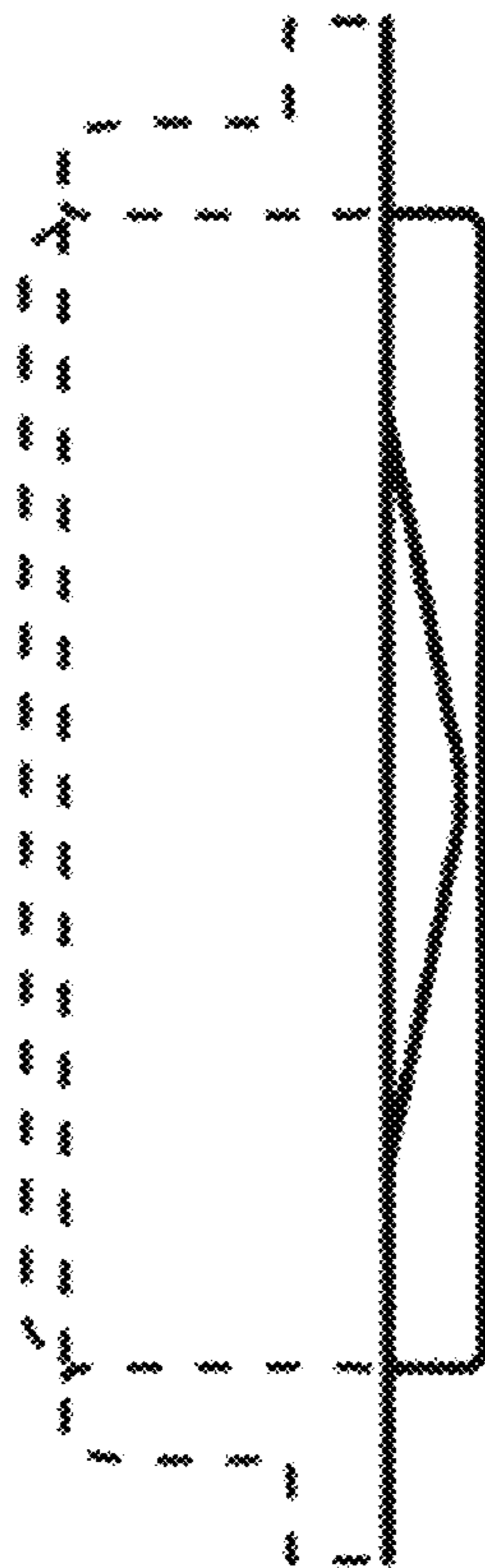




FIG.1.5

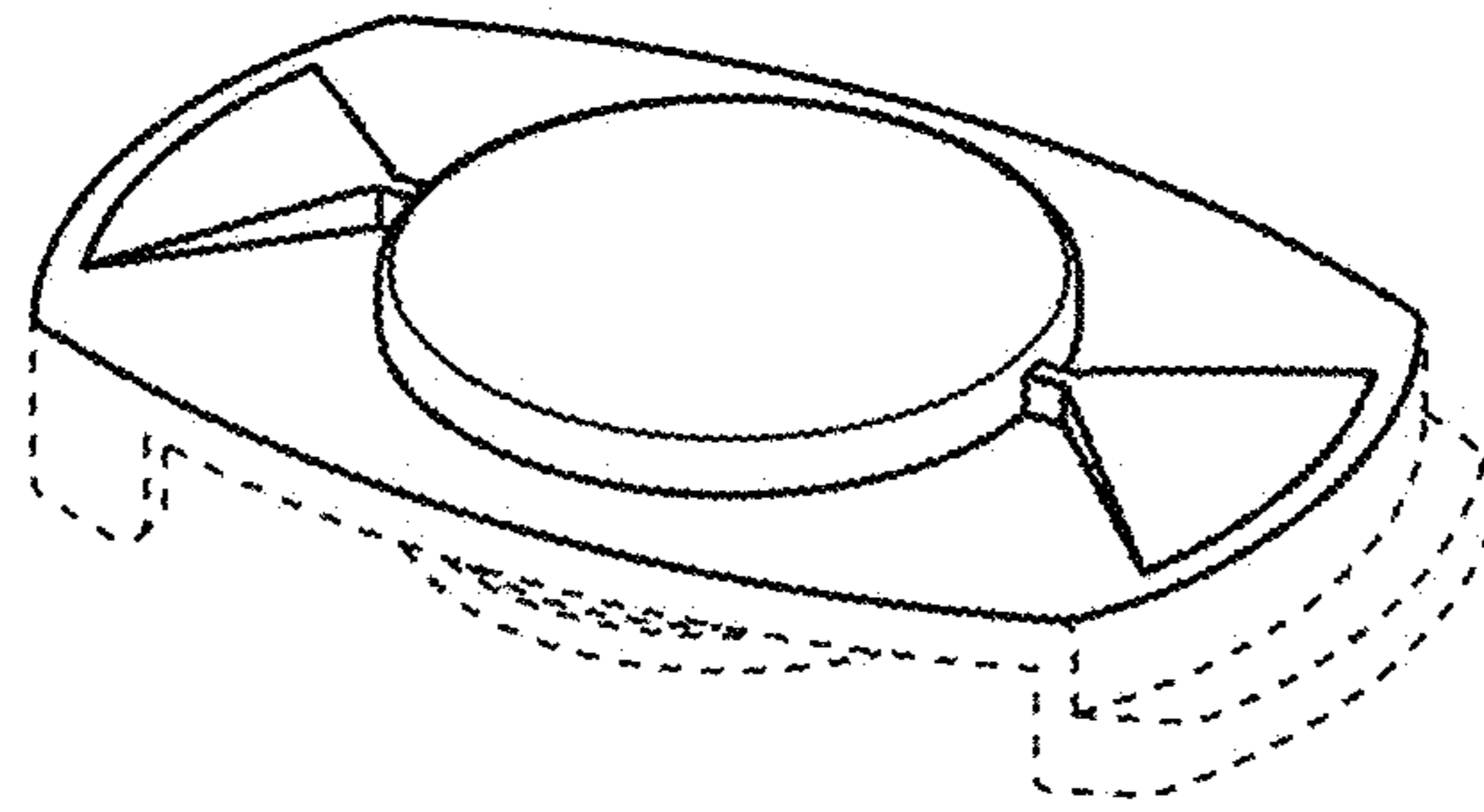


FIG. 1.6

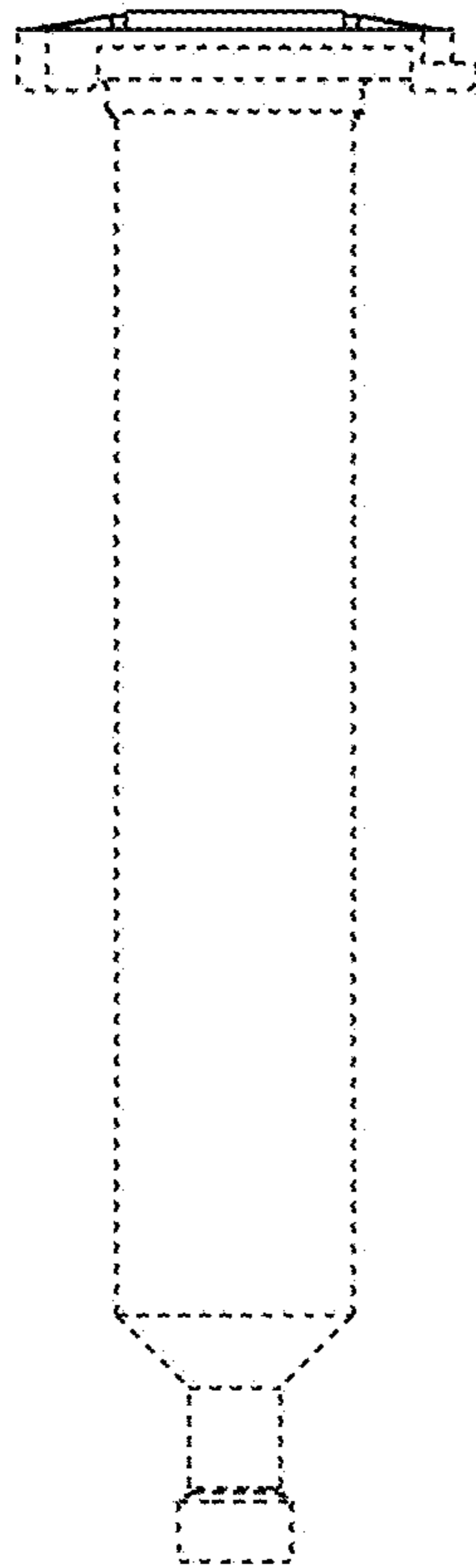


FIG. 1.7