



US00D881004S

(12) **United States Design Patent** (10) **Patent No.:** **US D881,004 S**
Giraud et al. (45) **Date of Patent:** **** Apr. 14, 2020**

(54) **CONTAINER ASSEMBLY**

(71) Applicants: **CSP TECHNOLOGIES, INC.**, Auburn, AL (US); **Eli Lilly and Company**, Indianapolis, IN (US)

(72) Inventors: **Jean-Pierre Giraud**, Auburn, AL (US); **Brian Fitzpatrick**, West Chester, PA (US); **Brian Tift**, Ladson, SC (US); **Andrew Snow**, Indianapolis, IN (US); **Jaime Arnett**, Indianapolis, IN (US)

(73) Assignee: **Eli Lilly and Company**, Indianapolis, IN (US)

(**) Term: **15 Years**

(21) Appl. No.: **29/697,757**

(22) Filed: **Jul. 11, 2019**

Related U.S. Application Data

(62) Division of application No. 29/624,748, filed on Nov. 3, 2017, now Pat. No. Des. 856,798.

(51) **LOC (12) Cl.** **09-01**

(52) **U.S. Cl.**
USPC **D9/435; D9/454**

(58) **Field of Classification Search**

USPC D7/300–322, 391–396.2, 509–511, 523, D7/589, 598, 612, 615, 619.1; D9/435, D9/436, 439, 440, 443, 447, 454, 500, D9/503–505, 516–575, 763–783; 215/40–55, 316–354, 370–385; 220/574–575

CPC B65D 1/00; B65D 1/02; B65D 1/0223; B65D 1/023; B65D 1/0276

See application file for complete search history.

(56) **References Cited**

U.S. PATENT DOCUMENTS

D248,373 S 7/1978 Allen
4,615,463 A 10/1986 Price
D332,739 S 1/1993 Petschek
D371,304 S * 7/1996 Onneweer D7/511

(Continued)

FOREIGN PATENT DOCUMENTS

EP 2439147 A1 4/2012
WO 2010/066510 A1 6/2010

(Continued)

OTHER PUBLICATIONS

“Activ-vial Portfolio.” webpackaging.com. Modified Jan. 16, 2017. Accessed Aug. 31, 2018. Available online at URL: <https://www.webpackaging.com/en/portals/csptechnologiesinc/assets/11431346/activ-vial-portfolio/> (Year: 2017).

Primary Examiner — Cathron C Brooks

Assistant Examiner — Christian P. McLean

(74) *Attorney, Agent, or Firm* — Mark T. Vogelbacker; Eckert Seamans Cherin & Mellott, LLC

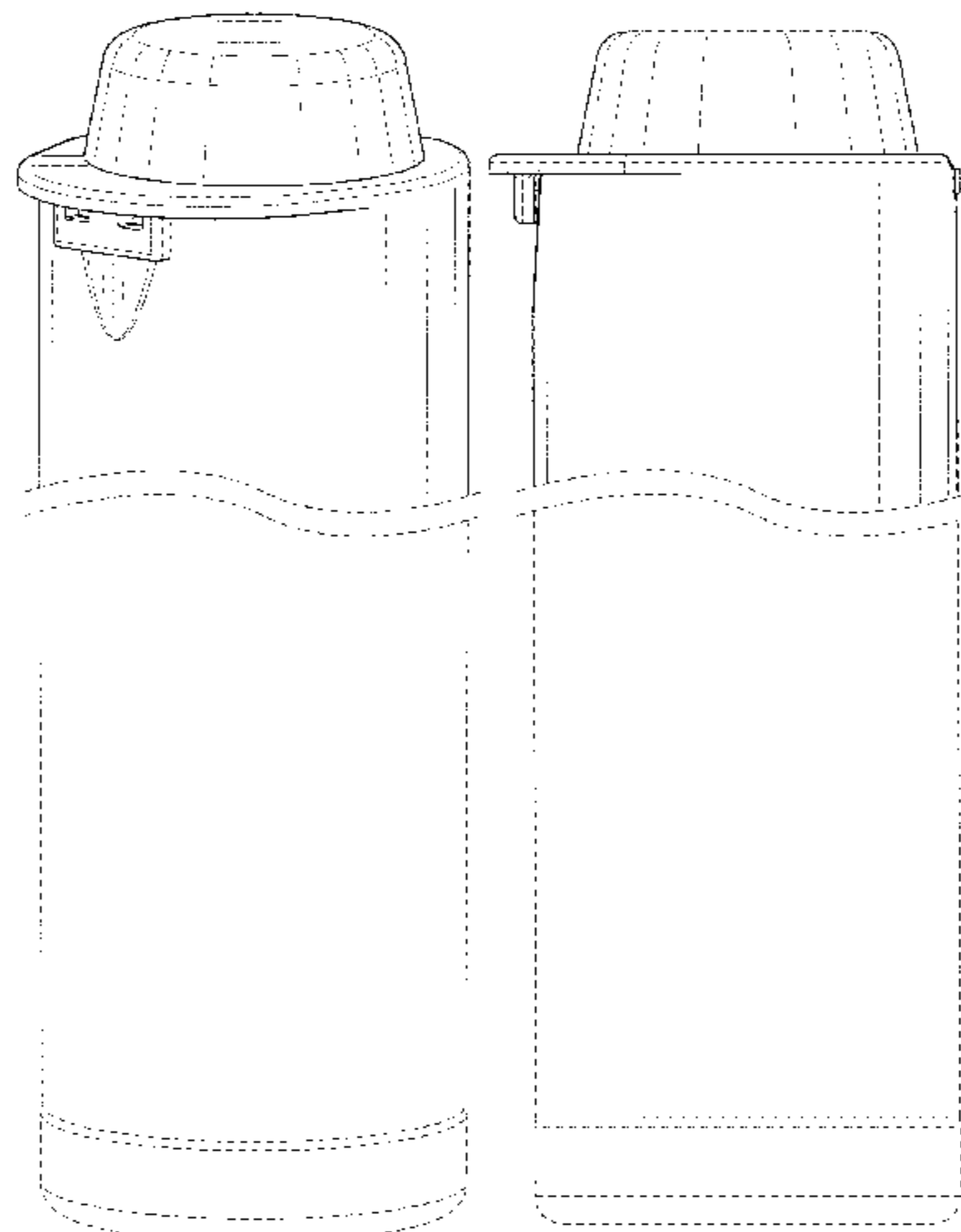
(57) **CLAIM**

The ornamental design for a container assembly, as shown and described.

DESCRIPTION

FIG. 1 is a top perspective view of a container assembly showing our new design; FIG. 2 is a front elevation thereof; FIG. 3 is a rear elevation thereof; FIG. 4 is a first side view thereof; FIG. 5 is a second side view thereof; FIG. 6 is a top plan view thereof; and, FIG. 7 is a bottom plan view thereof. The broken lines in the drawings illustrate portions of the container assembly that form no part of the claimed design. The dot-dash broken lines illustrate a symbolic break in height and form no part of the claimed design.

1 Claim, 4 Drawing Sheets



(56)

References Cited

U.S. PATENT DOCUMENTS

D410,364 S * 6/1999 Ramirez D7/507
 D418,758 S * 1/2000 Yucknut D9/500
 6,116,469 A * 9/2000 Wallays A47G 19/24
 222/148
 6,116,477 A * 9/2000 Kreiseder B65D 47/0857
 222/546
 D447,057 S * 8/2001 Bezek D9/504
 D452,826 S * 1/2002 Bezek D9/503
 D540,677 S * 4/2007 Stull D9/447
 D555,490 S 11/2007 Liu
 D564,841 S 3/2008 Clemens
 D585,740 S * 2/2009 Wilson D9/449
 D606,368 S 12/2009 Wu
 D616,608 S 5/2010 Maddy
 D618,362 S 6/2010 Giraud
 D633,800 S 3/2011 Haywood
 D641,088 S 7/2011 Giraud
 8,051,998 B1 8/2011 Giraud
 D677,396 S 3/2013 Belfance
 D679,583 S 4/2013 Wada
 D688,563 S 8/2013 Cohen
 D694,100 S 11/2013 Schneider
 D722,273 S 2/2015 Ivie
 D728,376 S 5/2015 Floyd
 D750,965 S 3/2016 Alvarez De Cienfuegos
 Hernandez
 D793,235 S * 8/2017 Bois D9/435
 D793,818 S 8/2017 Debretton Gordon
 D804,319 S 12/2017 Galekovic
 D809,868 S * 2/2018 Eyal D7/523

D816,514 S 5/2018 Wolfson
 D821,137 S * 6/2018 Boroski D7/392.1
 D821,138 S * 6/2018 Silsby D7/396.2
 D821,204 S 6/2018 Reggiani
 D822,498 S 7/2018 Sutcliffe
 D827,388 S 9/2018 Kander
 D832,642 S * 11/2018 Buck D7/392.1
 D835,509 S 12/2018 Cowan
 D837,059 S 1/2019 Wiggins
 D841,398 S 2/2019 Gauss
 D856,798 S * 8/2019 Giraud D9/420
 D859,143 S * 9/2019 Perdue D9/423
 D864,672 S * 10/2019 Callinan D7/608
 D866,261 S * 11/2019 Jacobsen D7/511
 2006/0219727 A1 10/2006 Giraud
 2009/0095699 A1 4/2009 Milante
 2010/0051636 A1 * 3/2010 Logel B65D 43/169
 220/834
 2011/0000930 A1 * 1/2011 Logel B65D 43/162
 220/849
 2011/0089187 A1 4/2011 Steiger et al.
 2012/0009356 A1 4/2012 Drew
 2014/0334804 A1 11/2014 Choi
 2014/0352707 A1 12/2014 Liu
 2015/0090711 A1 4/2015 Peterson
 2016/0257450 A1 9/2016 Niggel
 2019/0039804 A1 2/2019 Freedman

FOREIGN PATENT DOCUMENTS

WO 2014/014160 A1 1/2014
 WO 2016/168400 A1 10/2016

* cited by examiner

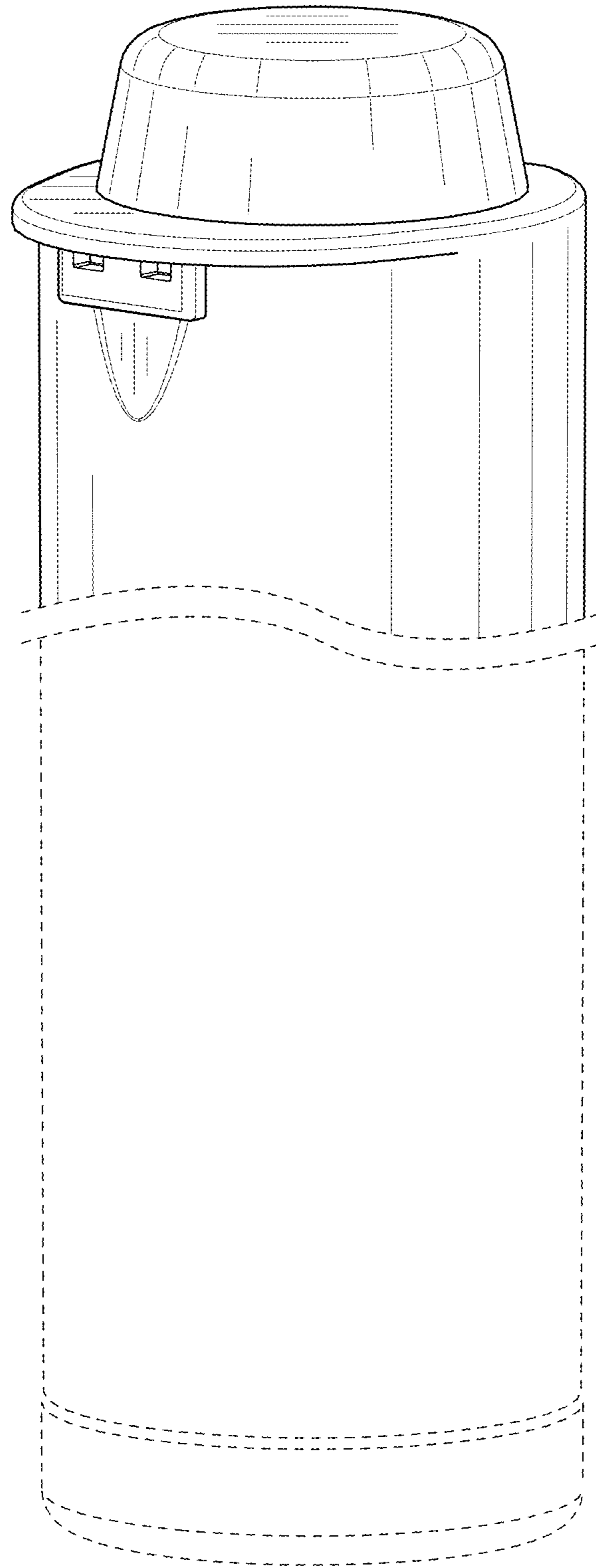


FIG. 1

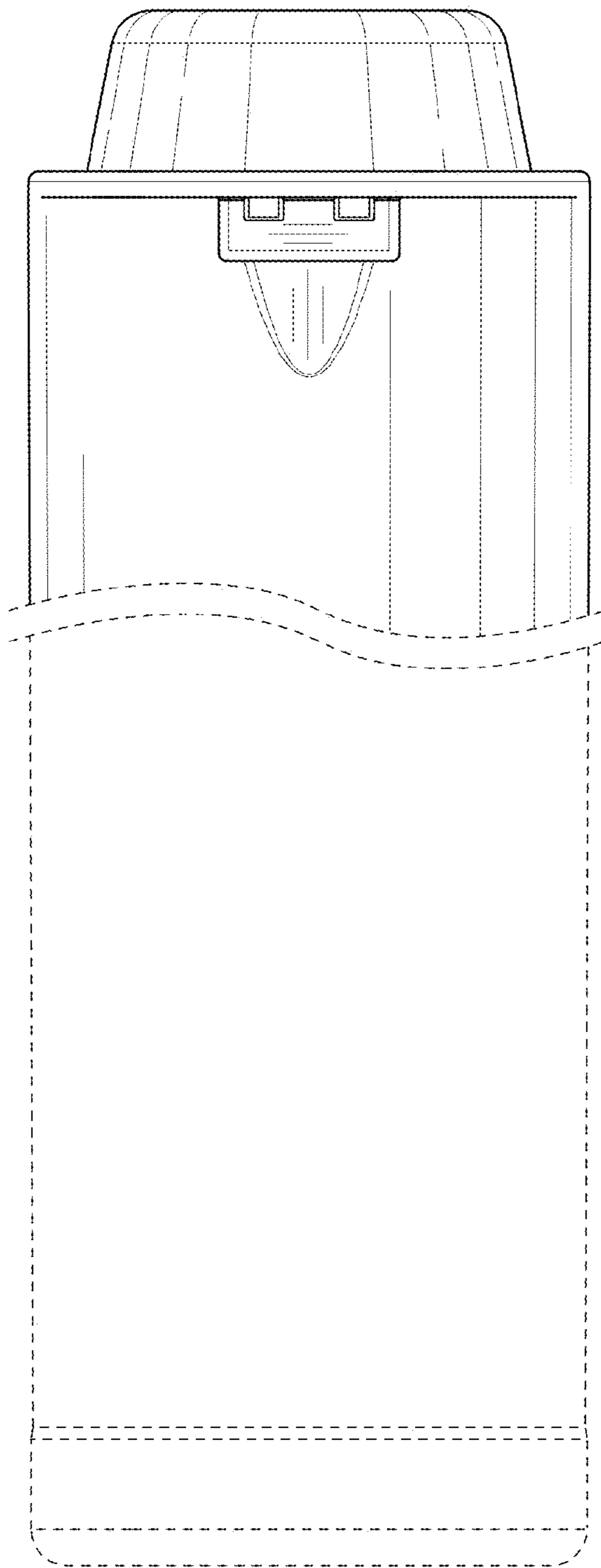


FIG. 2

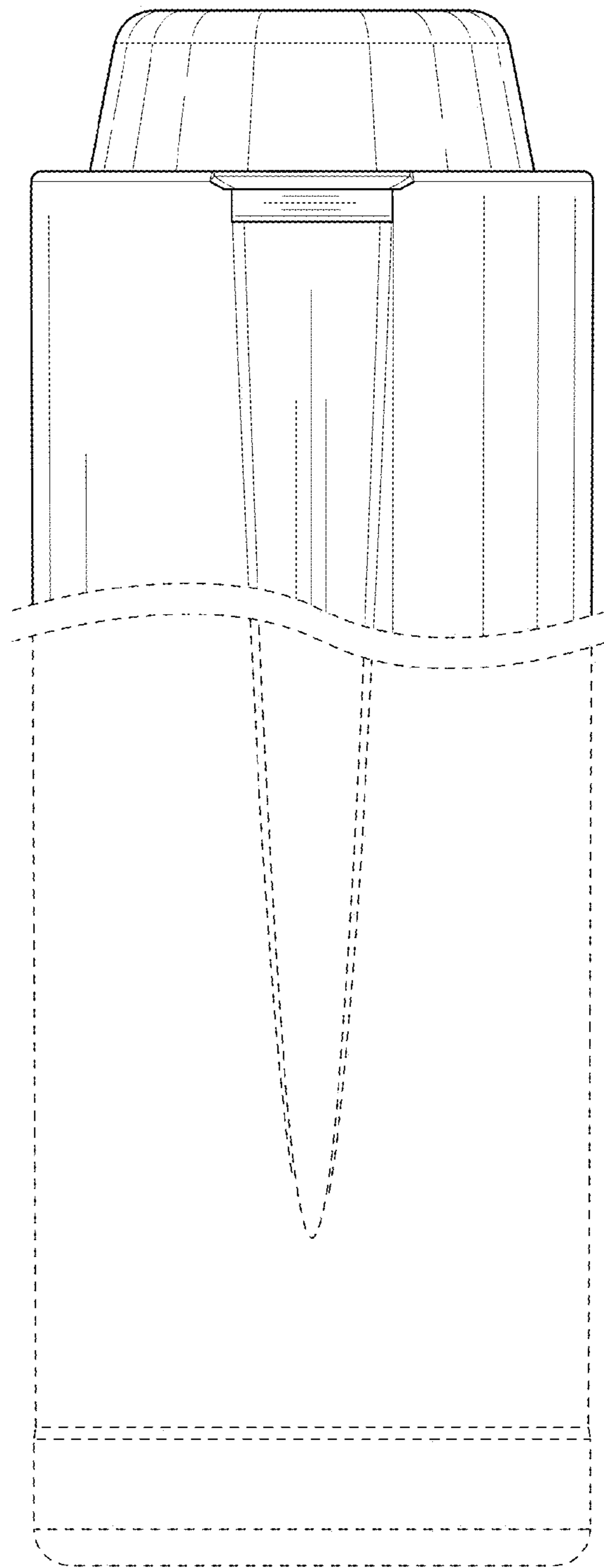


FIG. 3

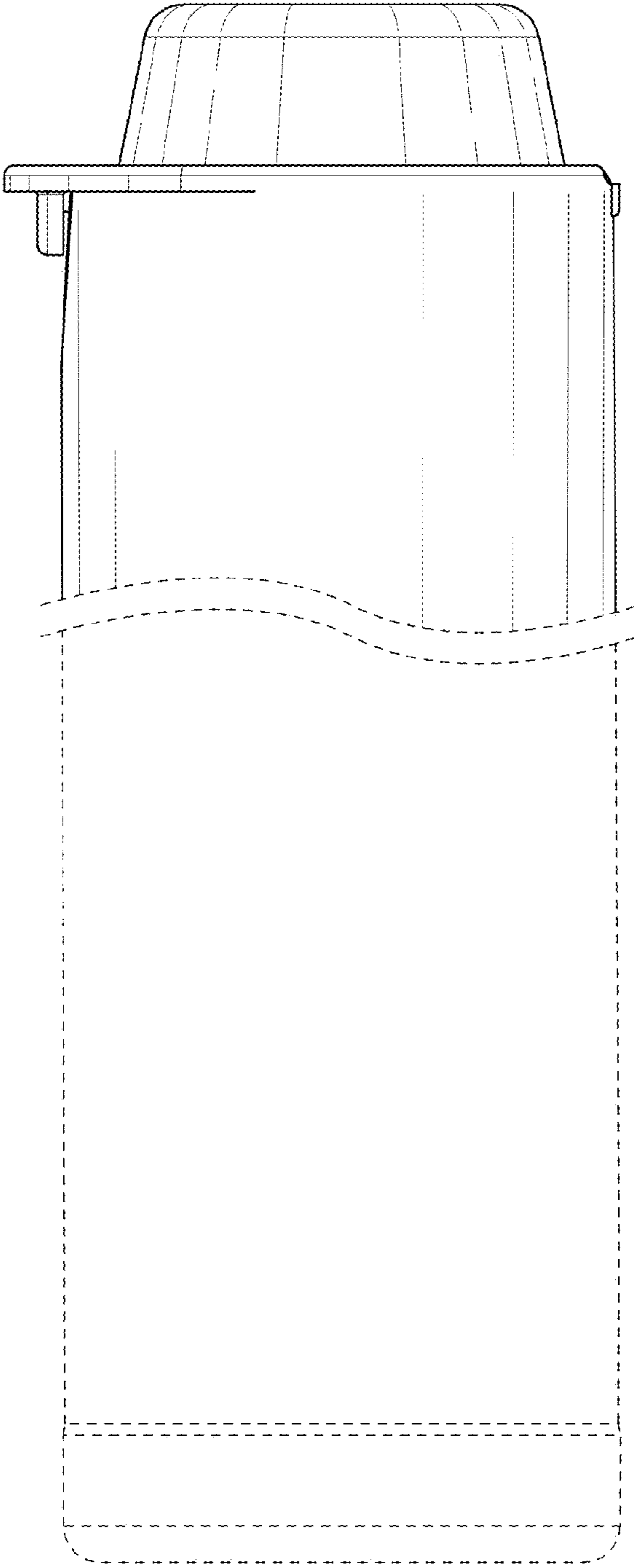


FIG. 4

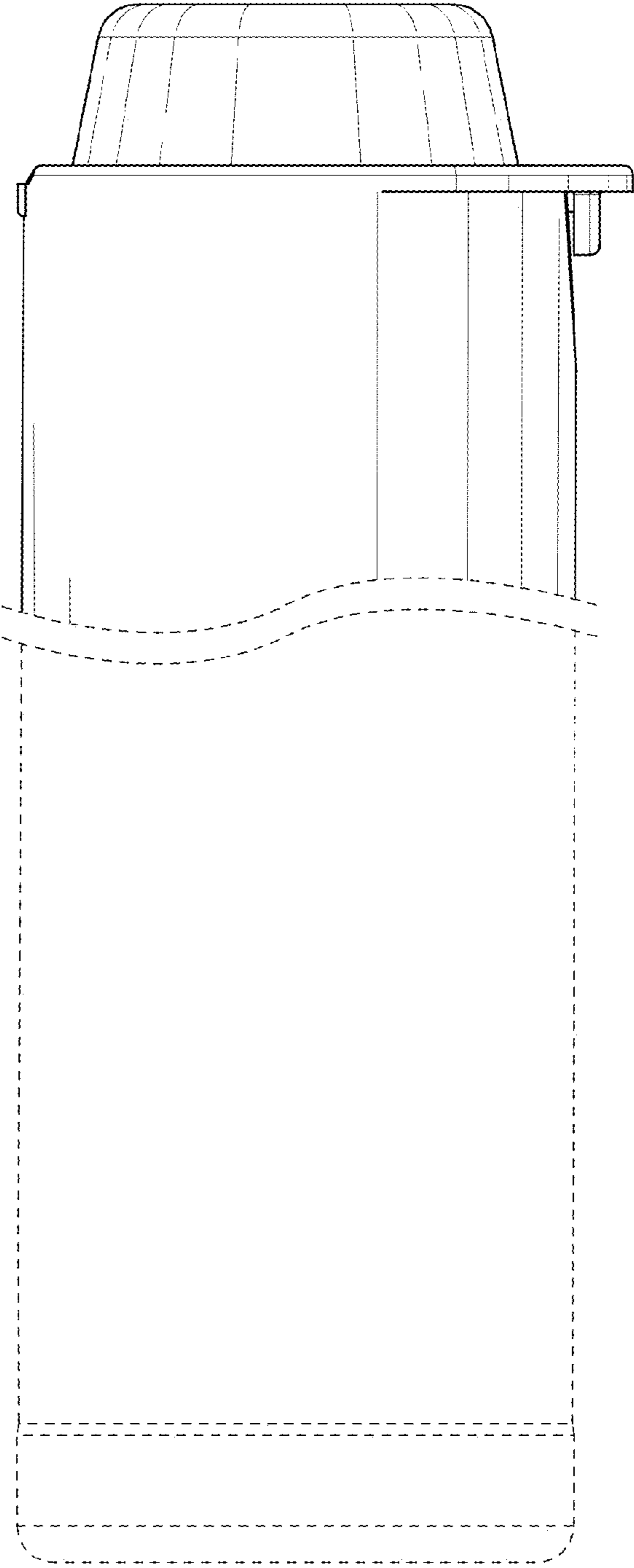


FIG. 5

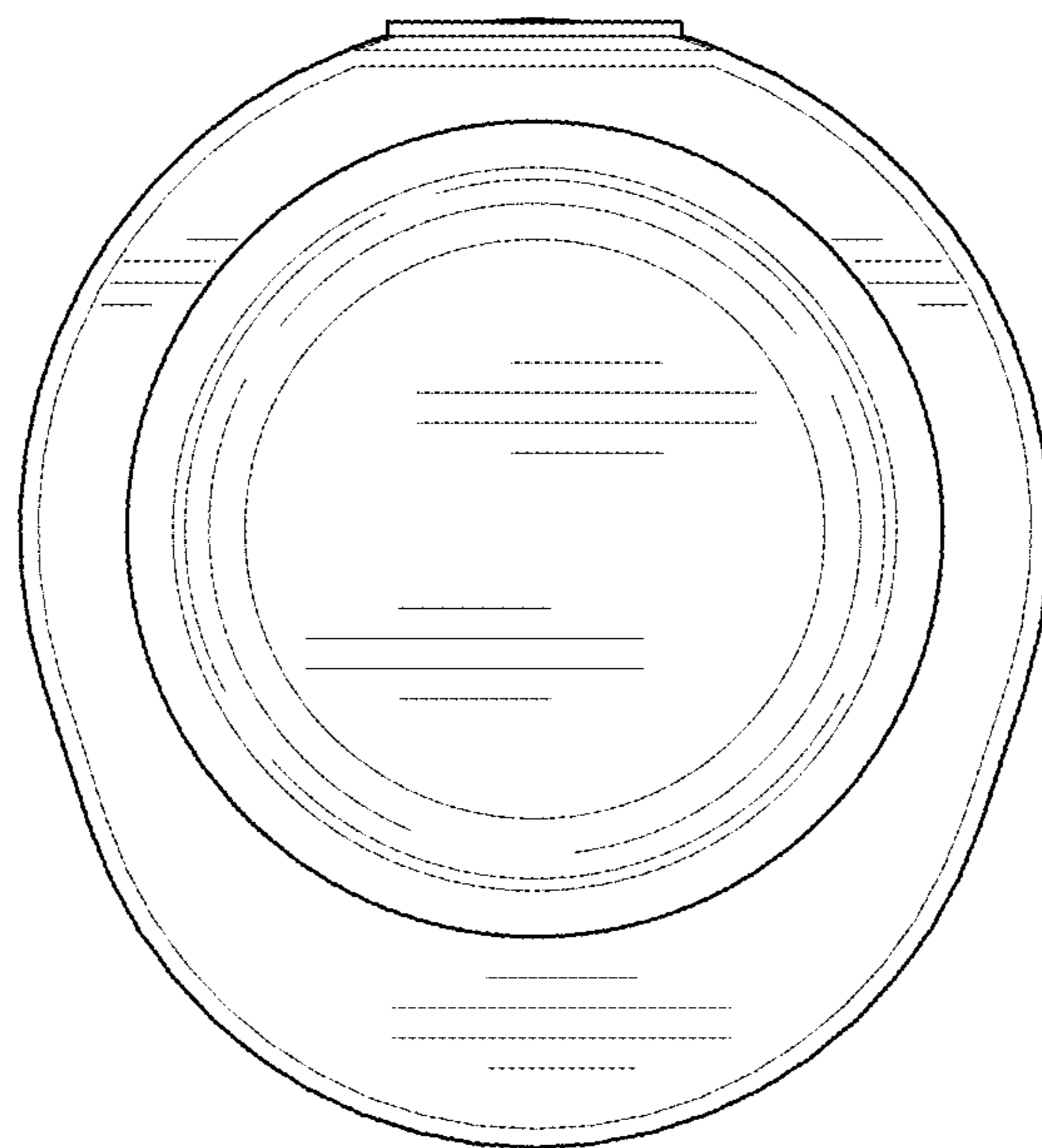


FIG. 6

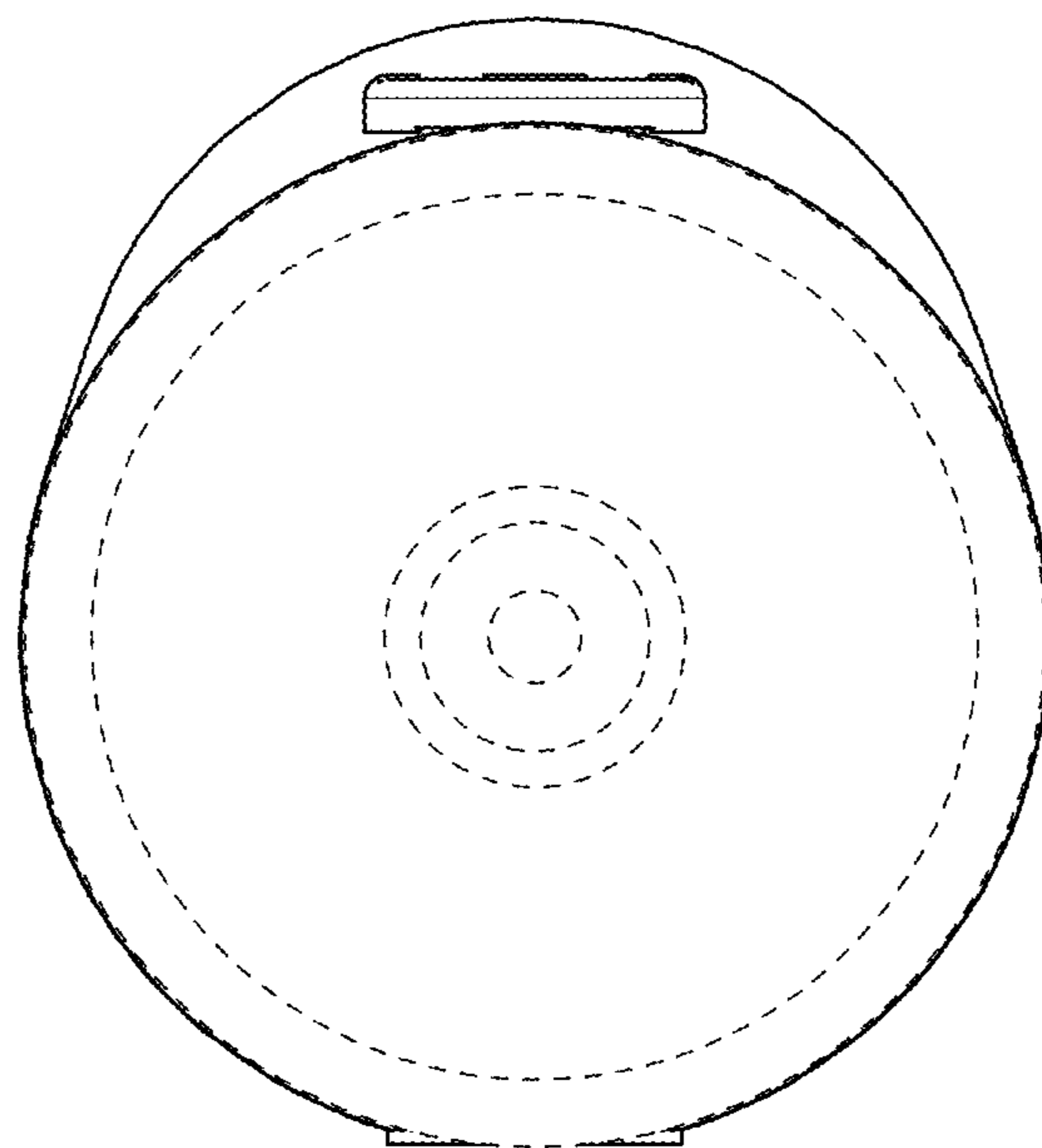


FIG. 7