



US00D881002S

(12) **United States Design Patent** (10) **Patent No.:** **US D881,002 S**
Sill et al. (45) **Date of Patent:** **** Apr. 14, 2020**

- (54) **CLOSEABLE CONTAINER**
- (71) Applicant: **Inno-Pak, LLC**, Delaware, OH (US)
- (72) Inventors: **Jonathan D. Sill**, Delaware, OH (US);
Steven A. Mayer, Indianapolis, IN (US)
- (73) Assignee: **Inno-Pak, LLC**, Delaware, OH (US)
- (**) Term: **15 Years**
- (21) Appl. No.: **29/690,770**
- (22) Filed: **May 10, 2019**

- D295,958 S 5/1988 Pugh
- 4,911,298 A 3/1990 Miyagawa
- D309,262 S 7/1990 Coiner
- 5,114,002 A 5/1992 Warner
- D332,347 S 1/1993 Raadt
- D332,744 S 1/1993 McCooey
- D333,781 S 3/1993 Kobel
- D365,755 S 1/1996 Kanfer et al.
- 5,505,372 A 4/1996 Edson
- D372,401 S 8/1996 Lillelund et al.
- D401,147 S 11/1998 Miller
- D415,960 S 11/1999 Majdanski et al.

(Continued)

OTHER PUBLICATIONS

Notice of Allowance dated Apr. 18, 2016 from U.S. Appl. No. 29/527,085.
Office Action dated Feb. 1, 2016 from U.S. Appl. No. 29/516,707.

Primary Examiner — Wan Laymon
Assistant Examiner — Clint A Samuel
(74) *Attorney, Agent, or Firm* — Ward and Smith. P.A.;
Ryan K. Simmons

Related U.S. Application Data

(62) Division of application No. 29/676,863, filed on Jan. 15, 2019, now Pat. No. Des. 856,797, which is a division of application No. 29/615,119, filed on Aug. 25, 2017, now Pat. No. Des. 847,626, which is a division of application No. 29/567,062, filed on Jun. 6, 2016, now Pat. No. Des. 800,548.

(51) **LOC (12) Cl.** **09-03**
(52) **U.S. Cl.**
USPC **D9/418**

(58) **Field of Classification Search**
USPC D9/414, 418–422, 431–433, 499;
D7/590, 601, 612; D19/91
CPC B65D 5/16; B65D 5/4204; B65D 5/5007;
B65D 5/5206; B65D 1/00; B65D 1/22;
B65D 1/225; B65D 2571/00543; B65D
2571/00549; B65D 2571/0066; B65D
25/54; A47F 7/03; A47F 7/145
See application file for complete search history.

(56) **References Cited**

U.S. PATENT DOCUMENTS

- D259,253 S 5/1981 Nelson
- D291,065 S 7/1987 Pugh

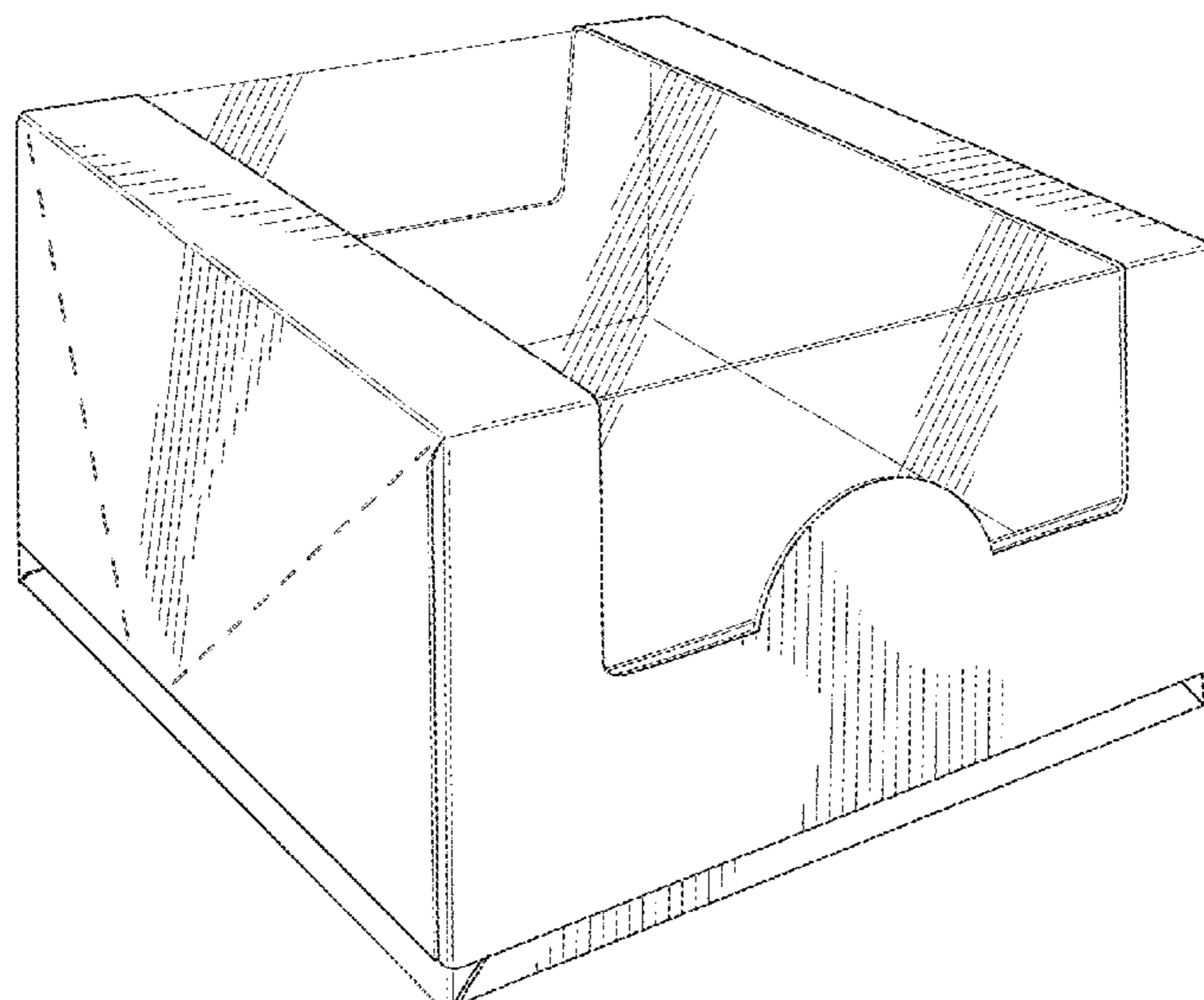
(57) **CLAIM**

The ornamental design for a closeable container, as shown and described.

DESCRIPTION

FIG. 1 is a perspective view of a closeable container showing a new design;
FIG. 2 is a front elevation view thereof;
FIG. 3 is a rear elevation view thereof;
FIG. 4 is a left side elevation view thereof, the right side being a mirror image;
FIG. 5 is a top plan view thereof; and,
FIG. 6 is a perspective view of the closeable container showing the closeable container in an open configuration. The dash-dash broken lines are for the purpose of illustrating environment and form no part of the claimed design.

1 Claim, 4 Drawing Sheets



(56)

References Cited

U.S. PATENT DOCUMENTS

5,992,733 A	11/1999	Gomes	D739,228 S	9/2015	Jondal et al.	
6,227,367 B1	5/2001	Harrelson	D746,673 S	1/2016	Sanfilippo	
D464,878 S	10/2002	Thompson	D746,700 S	1/2016	Boehnen et al.	
D469,349 S	1/2003	Meeker et al.	D753,919 S	4/2016	Parker	
D469,692 S	2/2003	Meeker et al.	D760,598 S	7/2016	White	
D485,172 S	1/2004	Defino	D762,113 S	7/2016	Mayer	
D519,366 S	4/2006	Epstein	D766,108 S	9/2016	Brown	
D536,245 S	2/2007	Bruun	D774,891 S	12/2016	Mayer	
D536,612 S	2/2007	Geurts et al.	D774,893 S	12/2016	Mayer	
D578,883 S	10/2008	Kisch	D774,895 S	12/2016	Mayer	
D580,751 S	11/2008	Blick	D774,896 S	12/2016	Mayer	
D587,998 S	3/2009	Kaisanlahti	D774,897 S	12/2016	Mayer	
D593,211 S	5/2009	Dewitt	D774,898 S	12/2016	Mayer	
D595,104 S	6/2009	Goodrich	D776,522 S	1/2017	Mayer	
D602,353 S	10/2009	Anderson et al.	D786,663 S	5/2017	Mayer	
D607,987 S	1/2010	Paxton	D787,313 S	5/2017	Mayer	
D617,636 S	6/2010	Vanhoutte	D787,314 S	5/2017	Sill	
D618,543 S	6/2010	Polaski	D787,315 S	5/2017	Sill	
7,780,004 B2	8/2010	Carlozzi	D787,316 S	5/2017	Sill	
D623,939 S	9/2010	Tearle	D787,929 S	5/2017	Sill	
D626,831 S	11/2010	Nicholas	D787,933 S	5/2017	Sill	
D636,662 S	4/2011	Ignacio et al.	D789,783 S	6/2017	DeBusk	
D637,078 S	5/2011	Peng	D799,317 S	10/2017	Sill	
D638,702 S	5/2011	Lowery	D799,955 S	10/2017	Sill	
D644,099 S	8/2011	Martinez Rodriguez	D800,546 S	10/2017	Sill	
D644,508 S	9/2011	Martinez Rodriguez	D800,547 S	10/2017	Sill	
D646,964 S	10/2011	Ampadu	D800,548 S	10/2017	Sill	
D647,398 S	10/2011	Winkler	D804,298 S	12/2017	Demmink	
D649,067 S	11/2011	Birdwell et al.	D816,479 S	5/2018	Sill	
D649,886 S	12/2011	Ocampo	D816,480 S	5/2018	Sill	
D651,074 S	12/2011	Lacey	D816,481 S	5/2018	Sill	
D655,153 S	3/2012	Mitten	D822,480 S	7/2018	Rivera	
D668,540 S	10/2012	Lutzig	D829,095 S	9/2018	McKenna	
D675,092 S	1/2013	Sill	D840,219 S	2/2019	McKenna	
8,356,743 B2	1/2013	Spivey, Sr.	D840,807 S	2/2019	Ross	
D675,920 S	2/2013	Sill	D842,098 S	3/2019	Ross	
8,376,214 B2	2/2013	Spivey, Sr.	D846,378 S	4/2019	Sill et al.	
D678,779 S	3/2013	Lee	D846,379 S	4/2019	Sill et al.	
D679,950 S	4/2013	Cooper	D846,981 S	4/2019	Sill et al.	
D681,444 S	5/2013	Oja et al.	D846,982 S	4/2019	Horne	
D685,633 S	7/2013	Thomas	D847,626 S	5/2019	Sill et al.	
D688,568 S	8/2013	Noel	D856,794 S *	8/2019	Sill	D9/418
D693,215 S	11/2013	Sill	D856,795 S *	8/2019	Sill	D9/418
D693,216 S	11/2013	Sill	D856,796 S *	8/2019	Sill	D9/418
D693,217 S	11/2013	Sill	D856,797 S *	8/2019	Sill	D9/418
D693,218 S	11/2013	Sill	D865,517 S *	11/2019	Gressel	D9/433
D695,104 S	12/2013	Sill	D867,125 S *	11/2019	Sill	D9/418
D696,725 S	12/2013	Sasken-Duff et al.	2009/0236351 A1	9/2009	Chu et al.	
8,607,987 B2	12/2013	Oja et al.	2010/0059579 A1	3/2010	House	
D706,132 S	6/2014	Sill	2013/0220873 A1	8/2013	Holley	
D708,511 S	7/2014	Green	2014/0103100 A1	4/2014	Falcon	
D712,275 S	9/2014	Irek	2015/0344216 A1	12/2015	Petty et al.	
D713,716 S	9/2014	Oja et al.	2016/0009442 A1	1/2016	Block	
D716,649 S	11/2014	McAdam	2016/0362220 A1	12/2016	Kearns	
D717,162 S	11/2014	Baker	2017/0066586 A1	3/2017	Petty	
D717,163 S	11/2014	Paulsen	2018/0009585 A1	1/2018	Ramsuer	
D717,645 S	11/2014	Wilmers	2018/0022500 A1	1/2018	Zhu	
D719,440 S	12/2014	Matloff	2018/0118403 A1	5/2018	Petty	
D727,732 S	4/2015	Petty	2018/0127141 A1	5/2018	Brundage	
D728,357 S	5/2015	Pierce	2018/0141734 A1	5/2018	Kooc	
D729,055 S	5/2015	Lemnios et al.	2018/0297761 A1	10/2018	Alexander	
D729,058 S	5/2015	Ishikawa	2018/0319560 A1	11/2018	Blin	
			2019/0009946 A1	1/2019	Nixon	
			2019/0016501 A1	1/2019	Djokovic	

* cited by examiner

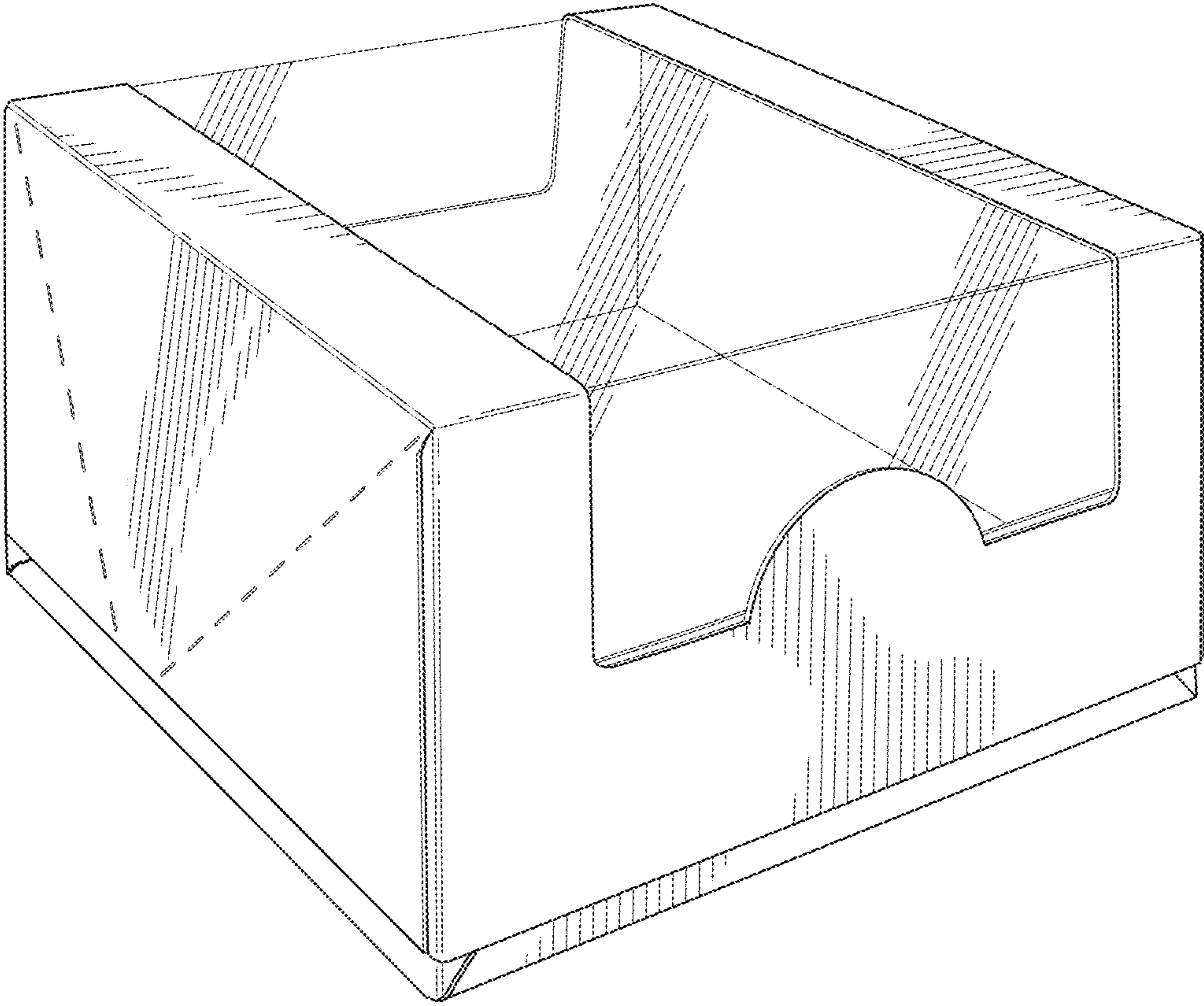


FIG.1

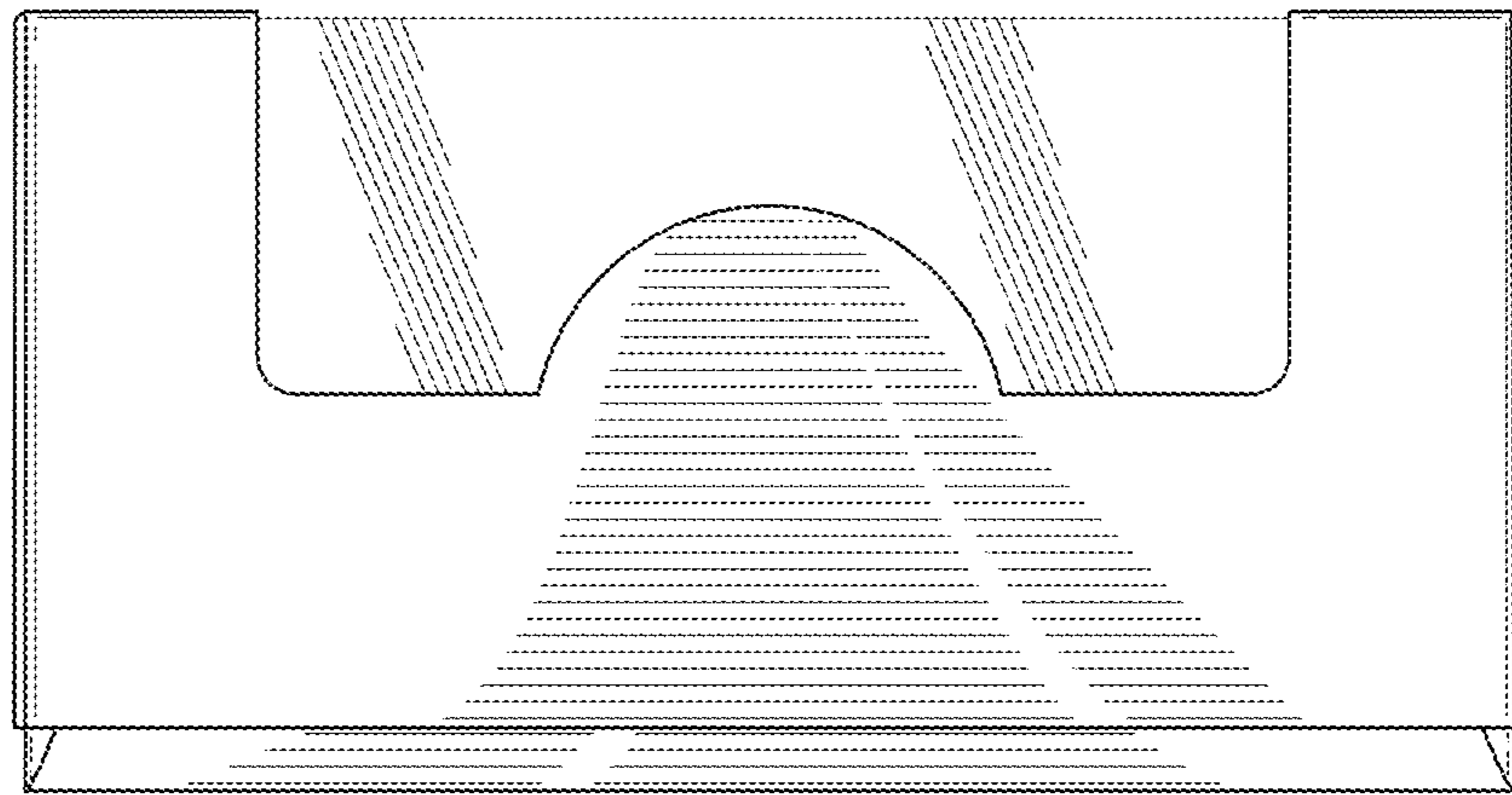


FIG. 2

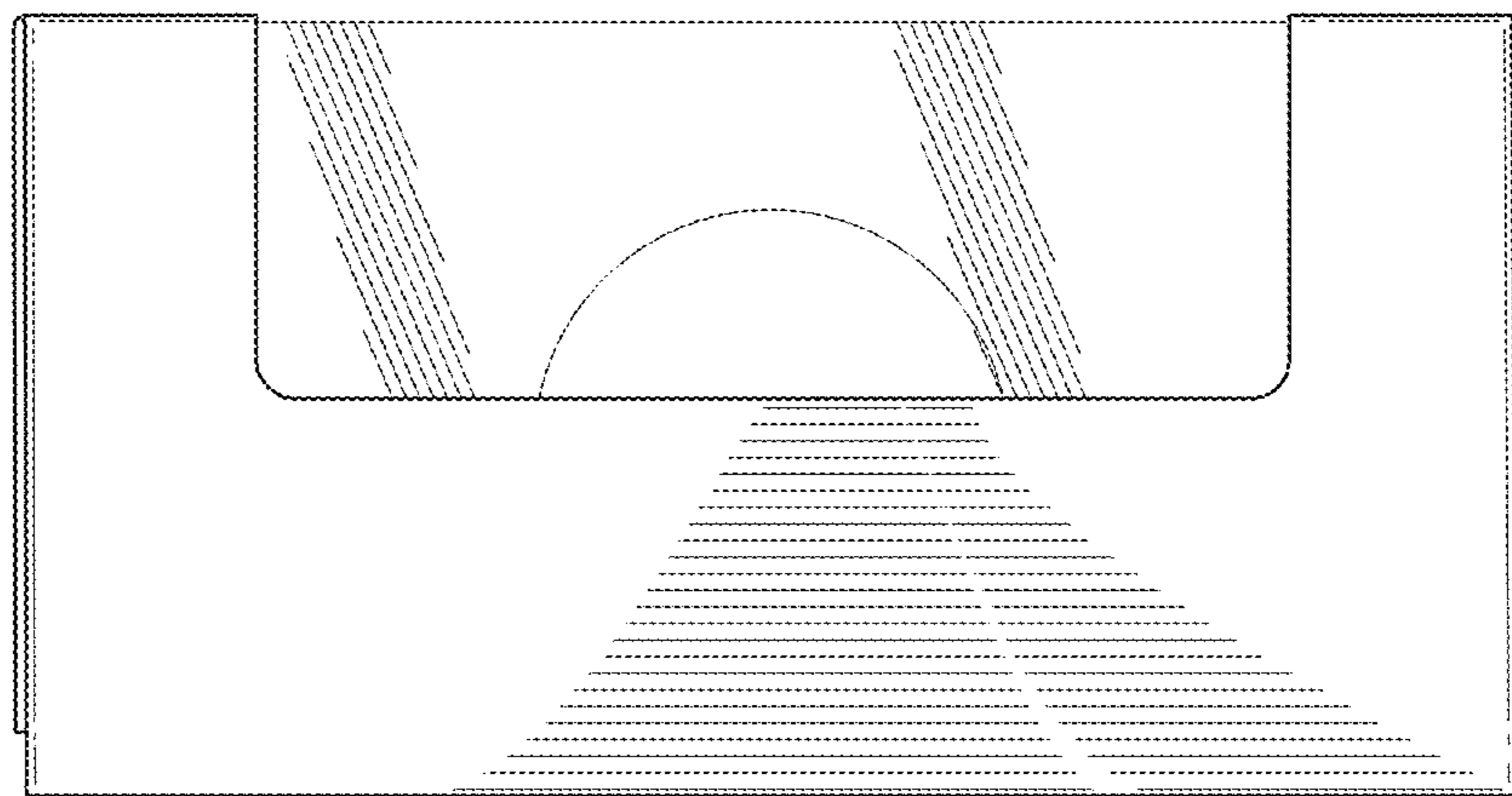


FIG. 3

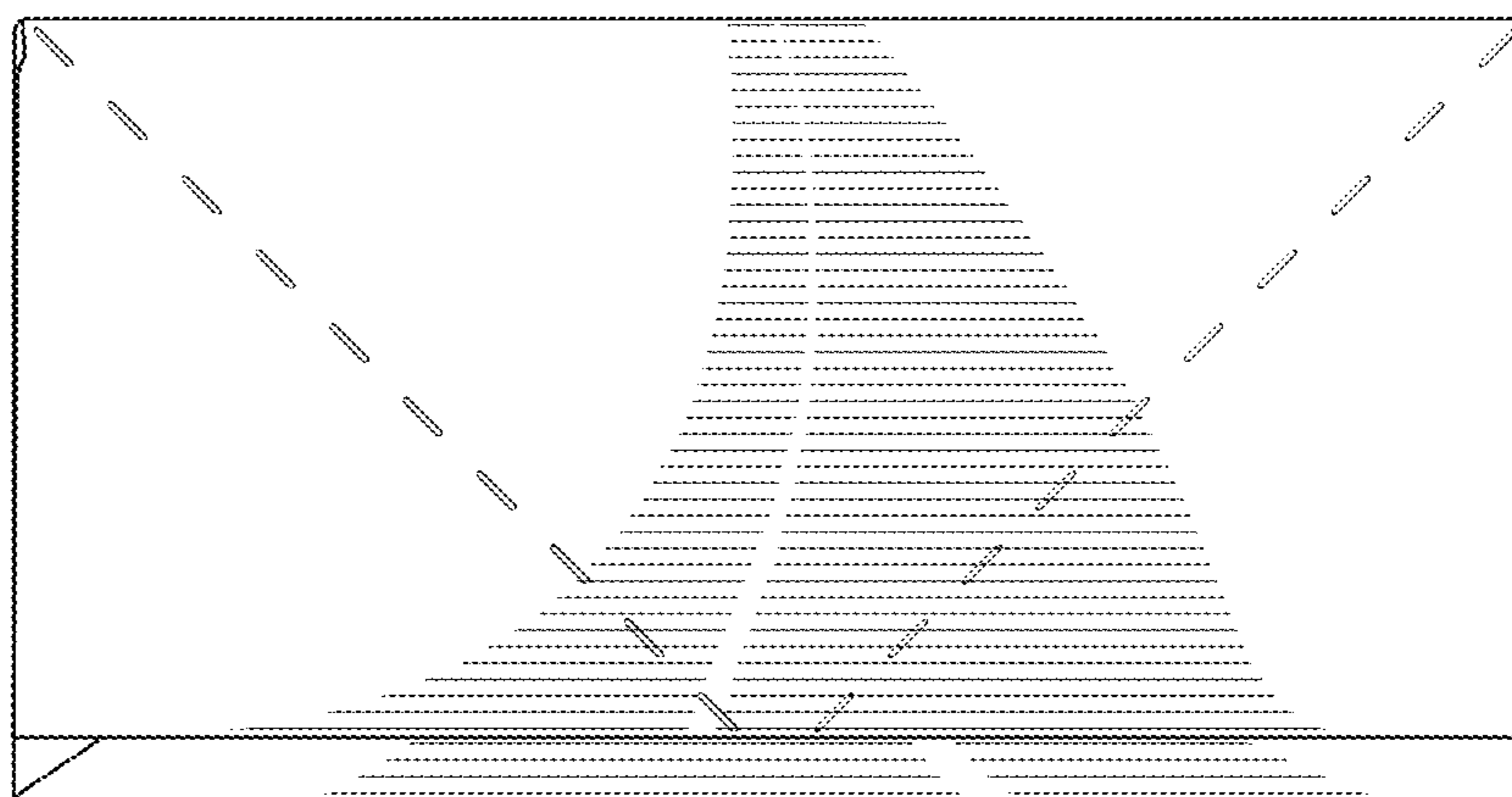


FIG. 4

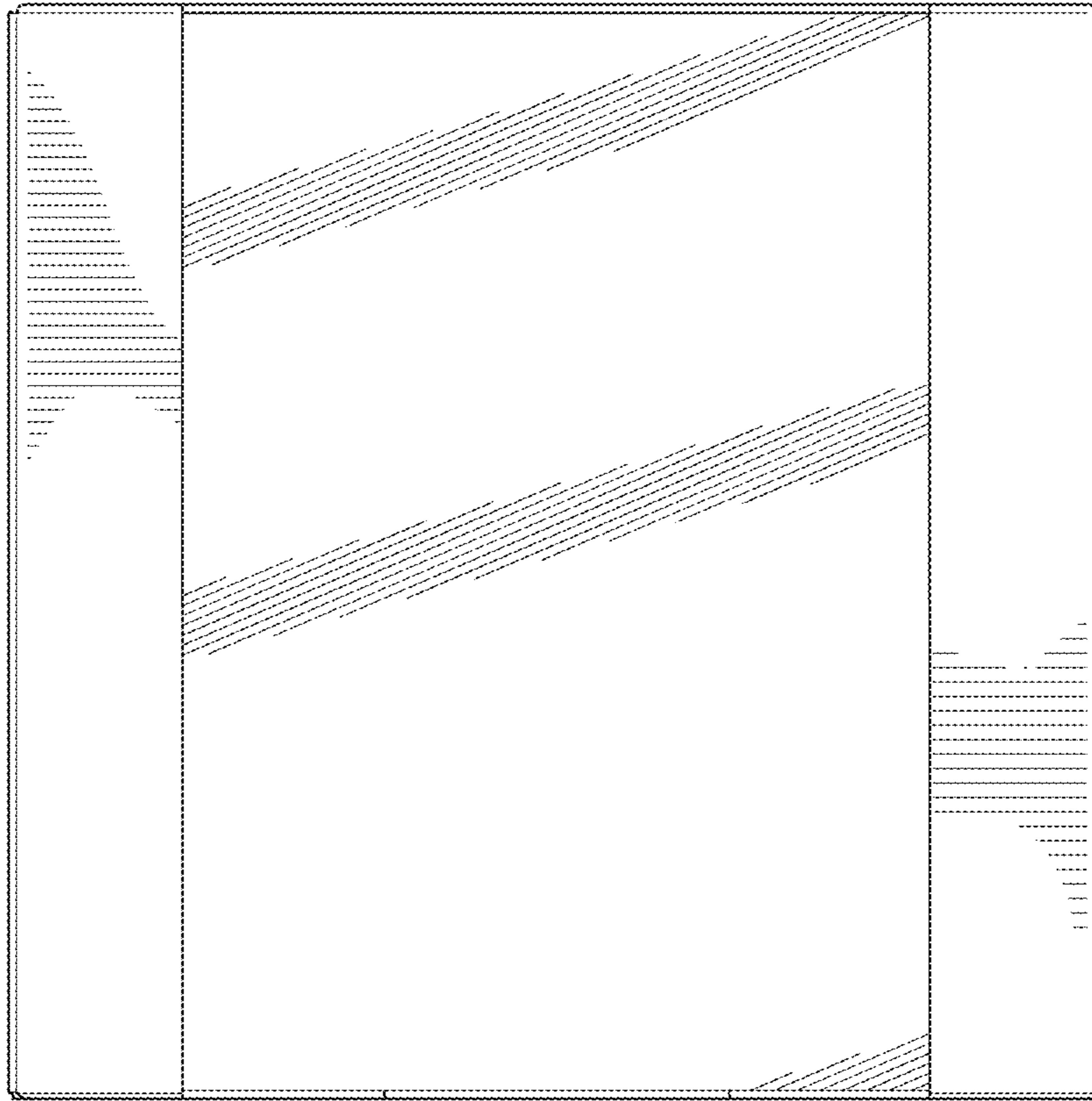


FIG.5

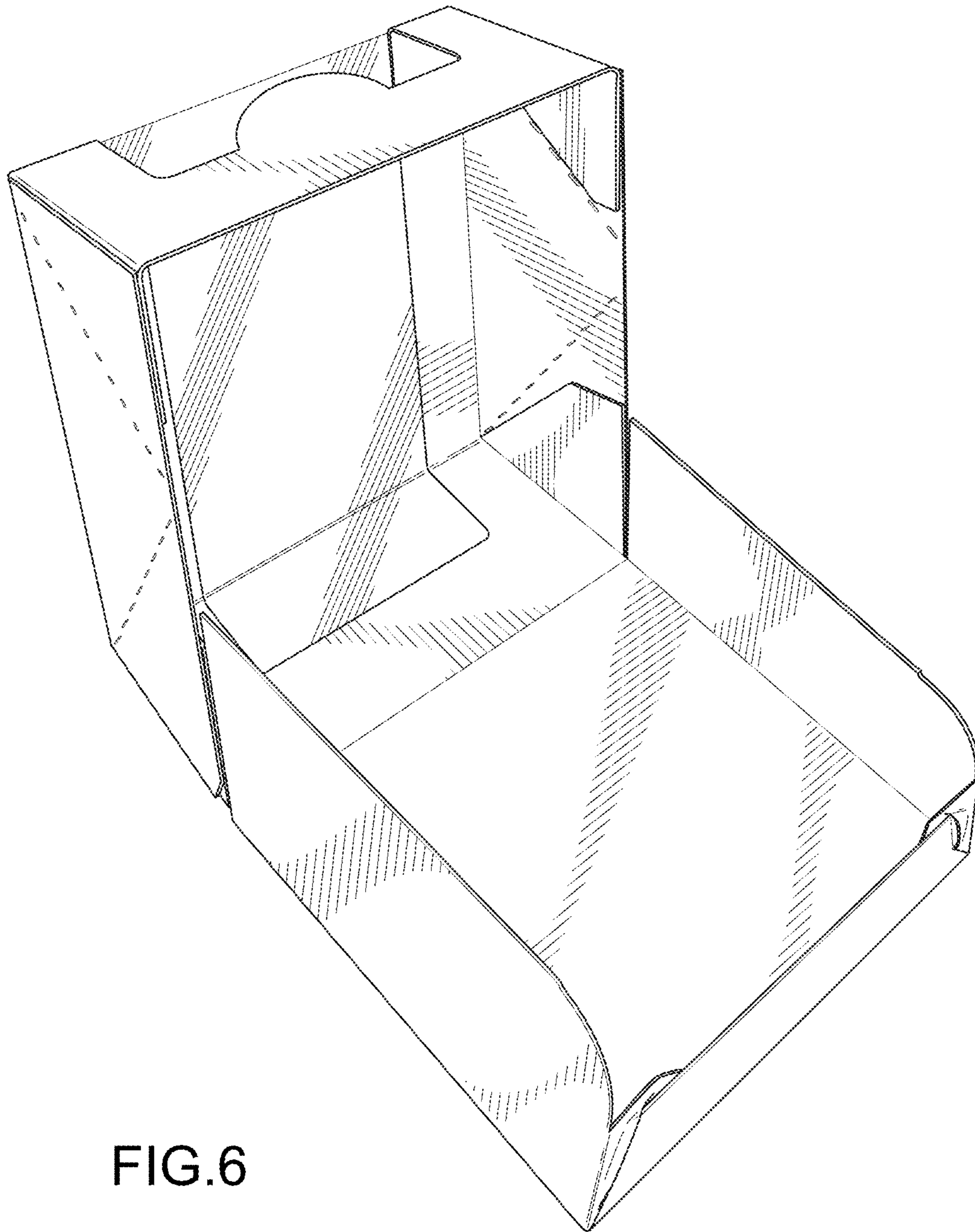


FIG.6