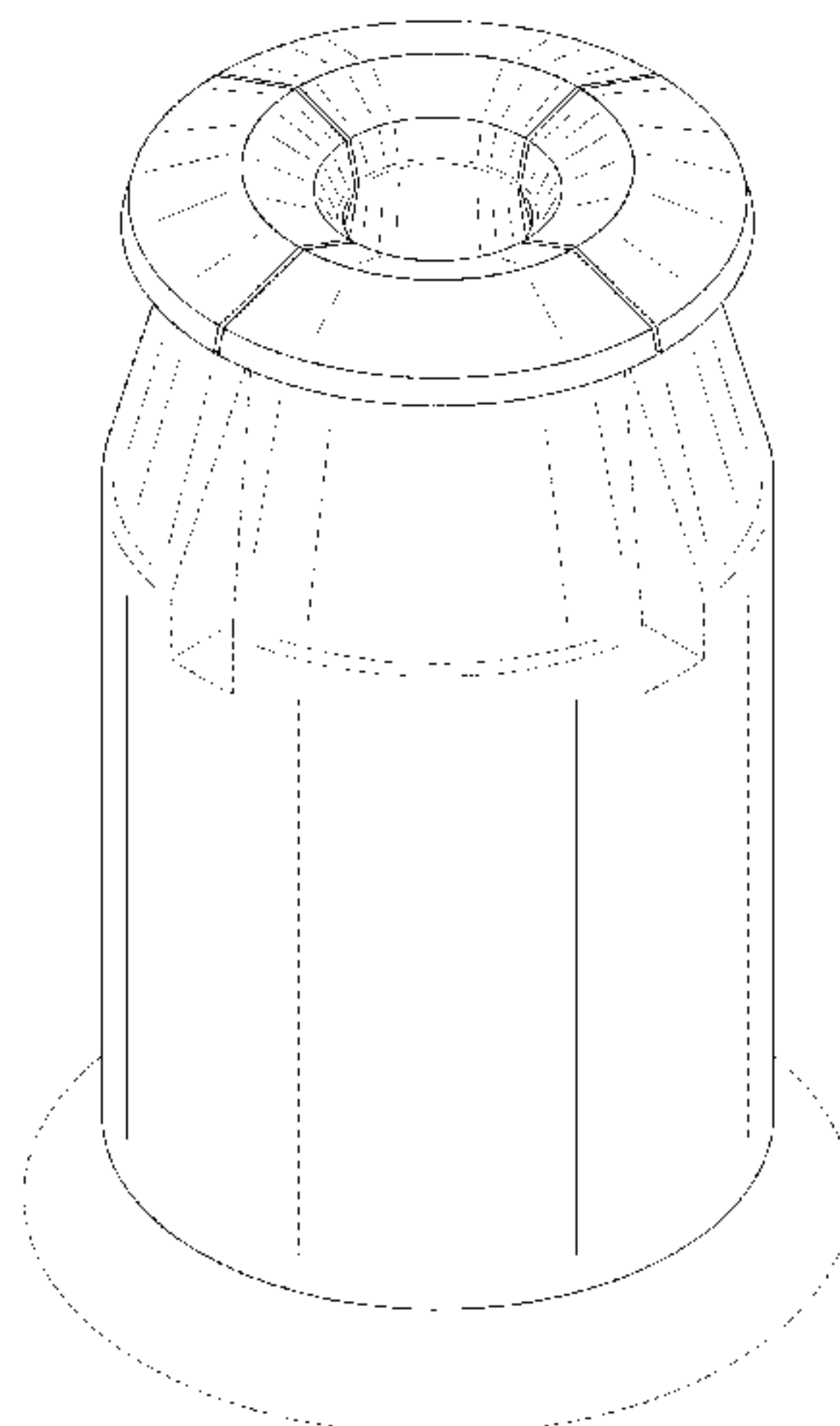


US00D880997S

(12) **United States Design Patent** (10) **Patent No.:** **US D880,997 S**
Cabaj et al. (45) **Date of Patent:** **** Apr. 14, 2020**

- (54) **UNDERCUT ANCHOR ATTACHMENT BARREL** 965,746 A 7/1910 Richards
1,000,715 A 8/1911 Caywood
1,065,747 A 6/1913 Tuck
1,115,205 A 10/1914 Johnson
1,164,322 A 12/1915 Yeatman
1,351,112 A * 8/1920 Martin E04B 1/415
52/708
- (71) Applicant: **Illinois Tool Works Inc.**, Glenview, IL (US)
(72) Inventors: **Stanley J. Cabaj**, Park Ridge, IL (US); **Tomasz Sikora**, River Grove, IL (US)
1,352,245 A * 9/1920 Branch E04B 1/4128
52/711
1,470,858 A 10/1923 Maxwell
1,755,590 A 4/1930 Carr
2,379,786 A * 7/1945 Bugg F16B 37/00
411/80.6
- (73) Assignee: **Illinois Tool Works Inc.**, Glenview, IL (US)
2,561,433 A 7/1951 Uhle
3,217,583 A 11/1965 Fulop
3,620,120 A 11/1971 Warner
3,628,816 A 12/1971 Ross, Jr.
3,739,684 A * 6/1973 Vitkevich F16B 13/124
411/49
- (**) Term: **15 Years**
(21) Appl. No.: **29/698,821**
(22) Filed: **Jul. 19, 2019**
3,869,959 A * 3/1975 Moen F16B 13/124
411/71
- Related U.S. Application Data**
(63) Continuation of application No. 29/619,176, filed on Sep. 27, 2017, now Pat. No. Des. 856,787.
4,135,432 A 1/1979 Schalge et al.
4,259,890 A 4/1981 Walsh
D262,093 S 12/1981 Bush
4,481,702 A 11/1984 Mitchell
(51) **LOC (12) Cl.** **08-08**
4,720,224 A 1/1988 Peterken
(52) **U.S. Cl.**
4,883,395 A 11/1989 Klavic
USPC **D8/385**
4,890,965 A 1/1990 Dietlein
(58) **Field of Classification Search**
4,904,135 A 2/1990 Barthomeuf et al.
USPC D8/349, 354, 369, 382, 385, 388, 393, D25/133, 136, D25/199
4,929,134 A 5/1990 Bergner
4,973,212 A 11/1990 Jacobs
D315,290 S * 3/1991 Ikuta D8/385
5,183,357 A 2/1993 Palm
5,246,323 A 9/1993 Vernet et al.
5,263,803 A * 11/1993 Anquetin F16B 13/00
411/31
- CPC E04B 1/4157; E04B 1/4121; E04B 1/415; E04B 1/4128; E04B 1/41; E04B 1/4114; E04B 1/483; E04B 1/98; F16B 2/065; F16B 2/04; F16B 2/06; F16B 7/18; F16B 7/02; F16B 7/025; F16B 13/06; F16B 13/124; F16B 13/0858; F16B 13/065; F16B 13/066; F16B 13/02; F16B 13/063; E04C 5/125; E04C 5/122; E04C 5/0645; E04G 21/12; Y10S 411/913
5,314,278 A 5/1994 Weber
5,332,346 A 7/1994 Shinjo
5,419,664 A 5/1995 Hengesbach
D362,177 S * 9/1995 Brown, Jr. D8/384
5,468,105 A * 11/1995 Iwamoto E04B 1/4121
411/433
- 5,476,350 A 12/1995 Kurtz
5,580,204 A 12/1996 Hultman
5,613,818 A 3/1997 McCorkle
5,690,455 A 11/1997 Fischer et al.
5,746,557 A 5/1998 Kaibach
5,816,759 A 10/1998 Ernst et al.
5,911,550 A 6/1999 Popp et al.
6,186,695 B1 * 2/2001 Kuster F16B 13/124
403/292
- 6,270,303 B1 8/2001 Gauthier et al.
6,325,580 B1 12/2001 Diamond
- 734,326 A 7/1903 Hicks
925,006 A 6/1909 Mason
- See application file for complete search history.
- (56) **References Cited**
U.S. PATENT DOCUMENTS



6,364,134	B1	4/2002	Christy	
6,524,046	B2	2/2003	Hsu	
6,827,535	B2	12/2004	Fuchs et al.	
6,829,871	B1	12/2004	McSherry et al.	
6,942,439	B2	9/2005	Rouger	
D557,409	S	12/2007	Veliss	
7,357,613	B2 *	4/2008	Houck	F16B 13/0858 411/57.1
7,587,873	B2	9/2009	McSherry et al.	
7,713,010	B2	5/2010	Cheng	
7,744,320	B2	6/2010	Kobetsky et al.	
7,811,037	B2	10/2010	Kobetsky et al.	
8,251,625	B2	8/2012	Zimmer et al.	
8,287,218	B2	10/2012	Zimmer et al.	
8,302,276	B2	11/2012	Kobetsky et al.	
8,444,355	B2	5/2013	Gaudron et al.	
8,491,244	B2	7/2013	Kobetsky et al.	
8,678,730	B2	3/2014	Gaudron et al.	
D704,044	S *	5/2014	Makino	D8/397
8,974,163	B2	3/2015	Ricketts	
D752,963	S	4/2016	Kaupp	
9,512,868	B2	12/2016	Stempniewski et al.	
9,541,116	B2	1/2017	Cabaj et al.	
9,970,465	B2	5/2018	Gstach et al.	
9,970,467	B2	5/2018	Dijkhuis et al.	
10,030,380	B2 *	7/2018	Merrick	E04B 1/4114
D828,147	S *	9/2018	Kaupp	D8/385
D856,787	S *	8/2019	Cabaj	D8/385
2002/0076298	A1	6/2002	Gauthier	
2004/0096288	A1	5/2004	Haug	
2004/0253075	A1 *	12/2004	Liebig	F16B 13/066 411/57.1
2010/0086376	A1 *	4/2010	McClure	F16B 13/124 411/71
2010/0272536	A1	10/2010	Kaplan et al.	
2010/0293883	A1 *	11/2010	Sladojevic	B2B8 23/0056 52/707
2011/0081217	A1	4/2011	Wissling et al.	
2012/0128444	A1	5/2012	Podesser et al.	
2012/0263553	A1	10/2012	Greenfield	
2014/0010613	A1	1/2014	Gaudron et al.	
2014/0072384	A1	3/2014	Wissling	
2015/0003906	A1 *	1/2015	Johnson	F16B 3/06 403/374.4
2015/0275950	A1	10/2015	Hongthong et al.	
2017/0114818	A1	4/2017	Cabaj et al.	
2017/0138384	A1	5/2017	Goettlich	
2017/0145684	A1 *	5/2017	Merrick	E04B 1/4114
2017/0167139	A1	6/2017	Pregartner et al.	
2017/0241128	A1	8/2017	Murdoch	
2017/0241458	A1	8/2017	Murdoch	
2017/0291227	A1 *	10/2017	Shimmura	E04B 1/41
2019/0093337	A1 *	3/2019	Cabaj	E04B 1/4157

FOREIGN PATENT DOCUMENTS

DE	30 44 453	6/1982
EP	0 365 475	4/1990
FR	2 050 657	4/1971
FR	2 106 884	5/1972
GB	2 254 392	10/1992
WO	WO 2016/207404	12/2016

OTHER PUBLICATIONS

“Concrete Anchor Bolts for Pedestrian Barrier” web page by Global Industrial printed Jun. 30, 2014 (2 pages).
 “Dock Bumper Installation Bolt” web page by Global Industrial printed Jun. 30, 2014 (2 pages).

Drop-In Anchors, retrieved from the Internet at <https://www.confast.com/products/drop-in-anchor.aspx>, on Oct. 10, 2017 (5 pages).
 Filing Receipt for U.S. Appl. No. 16/109,030, dated Sep. 10, 2018 (3 pages).
 International Search Report and Written Opinion for International Application No. PCT/US2018/047663, dated Oct. 11, 2018 (13 pages).
 Machine Screw Anchors, retrieved from the Internet at <https://www.confast.com/products/machinescrew-anchor.aspx>, on Oct. 10, 2017 (3 pages).
 Multi-Set II® Drop-In Anchors—RedHead®, retrieved from the Internet at <http://www.itwredhead.ca/product/12/multi-set-ii-drop-in-anchors>, on Oct. 10, 2017 (5 pages).
 “Trubolt+Seismic Wedge” brochure by Red Head Concrete Anchoring dated Feb. 12 (3 pages).
 “Wedge Anchors” web page by Concrete Fastening Systems printed Jun. 30, 2014 (4 pages).

* cited by examiner

Primary Examiner — Sandra S Snapp
 Assistant Examiner — Ieisha N Price
 (74) Attorney, Agent, or Firm — Neal, Gerber & Eisenberg LLP

(57) CLAIM

The ornamental design for an undercut anchor attachment barrel, as shown and described.

DESCRIPTION

This application is related to the following commonly owned co-pending patent application: U.S. application Ser. No. 16/109,030, entitled “Undercut Anchor, Undercut Anchor Manufacturing Method, and Anchoring Method.”. FIG. 1 is a top front perspective view of an undercut anchor attachment barrel of our new design. FIG. 2 is a bottom front perspective view of the undercut anchor attachment barrel of our new design illustrated in FIG. 1. FIG. 3 is a front view of the undercut anchor attachment barrel of our new design illustrated in FIG. 1, the rear view being a mirror image thereof. FIG. 4 is a right side view of the undercut anchor attachment barrel of our new design illustrated in FIG. 1, the left side view being a mirror image thereof. FIG. 5 is a top view of the undercut anchor attachment barrel of our new design illustrated in FIG. 1. FIG. 6 is a bottom view of the undercut anchor attachment barrel of our new design illustrated in FIG. 1; and, FIG. 7 is a vertical cross-sectional view of the undercut anchor attachment barrel of our new design illustrated in FIG. 1, taken along line 7-7 of FIG. 3. The broken lines in the drawings illustrate portions of the undercut anchor attachment barrel and form no part of the claimed design. The dot-dash-dot broken lines rendered in FIG. 7 define the bounds of the claim and form no part thereof.

1 Claim, 7 Drawing Sheets

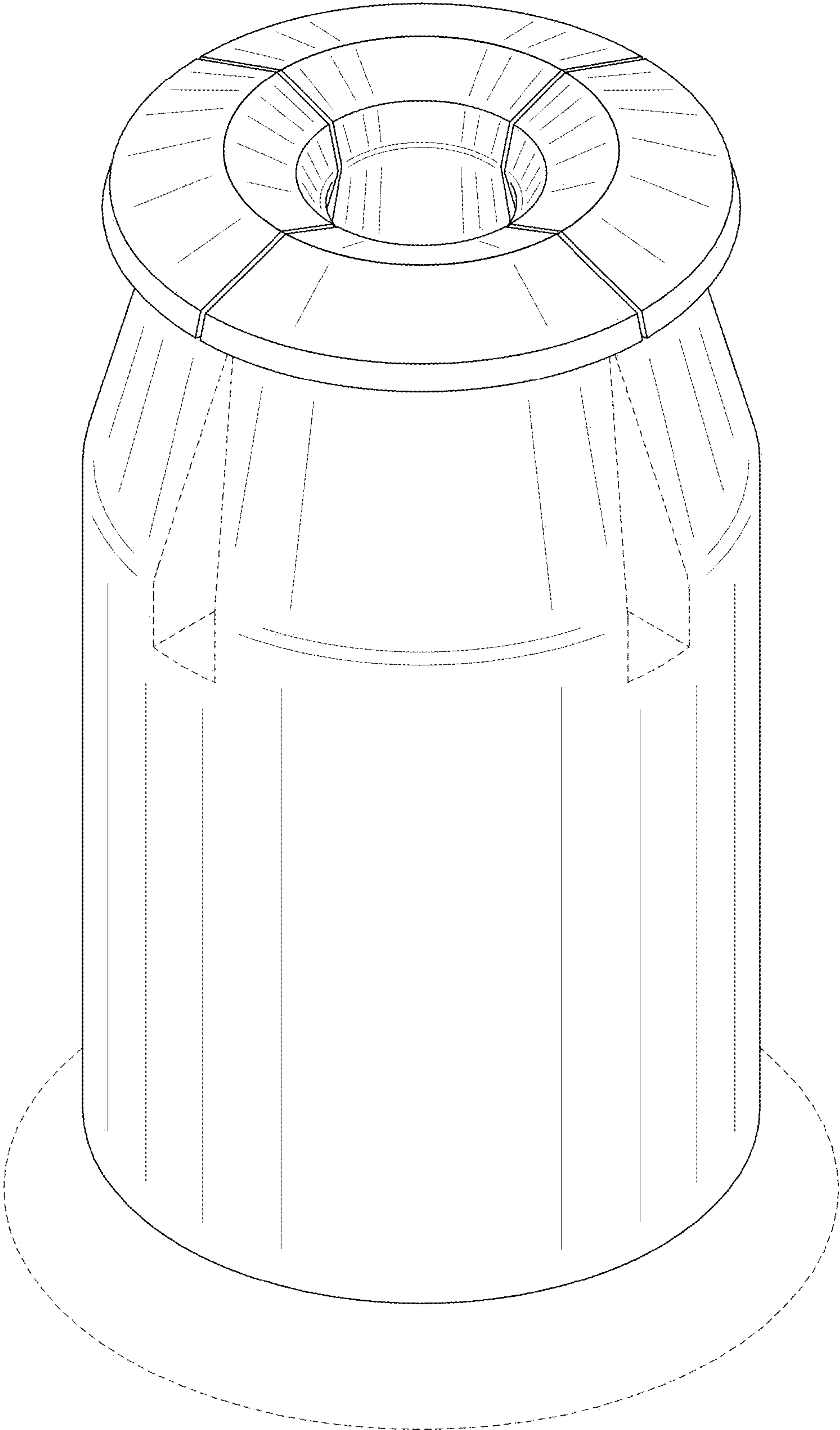


FIG. 1

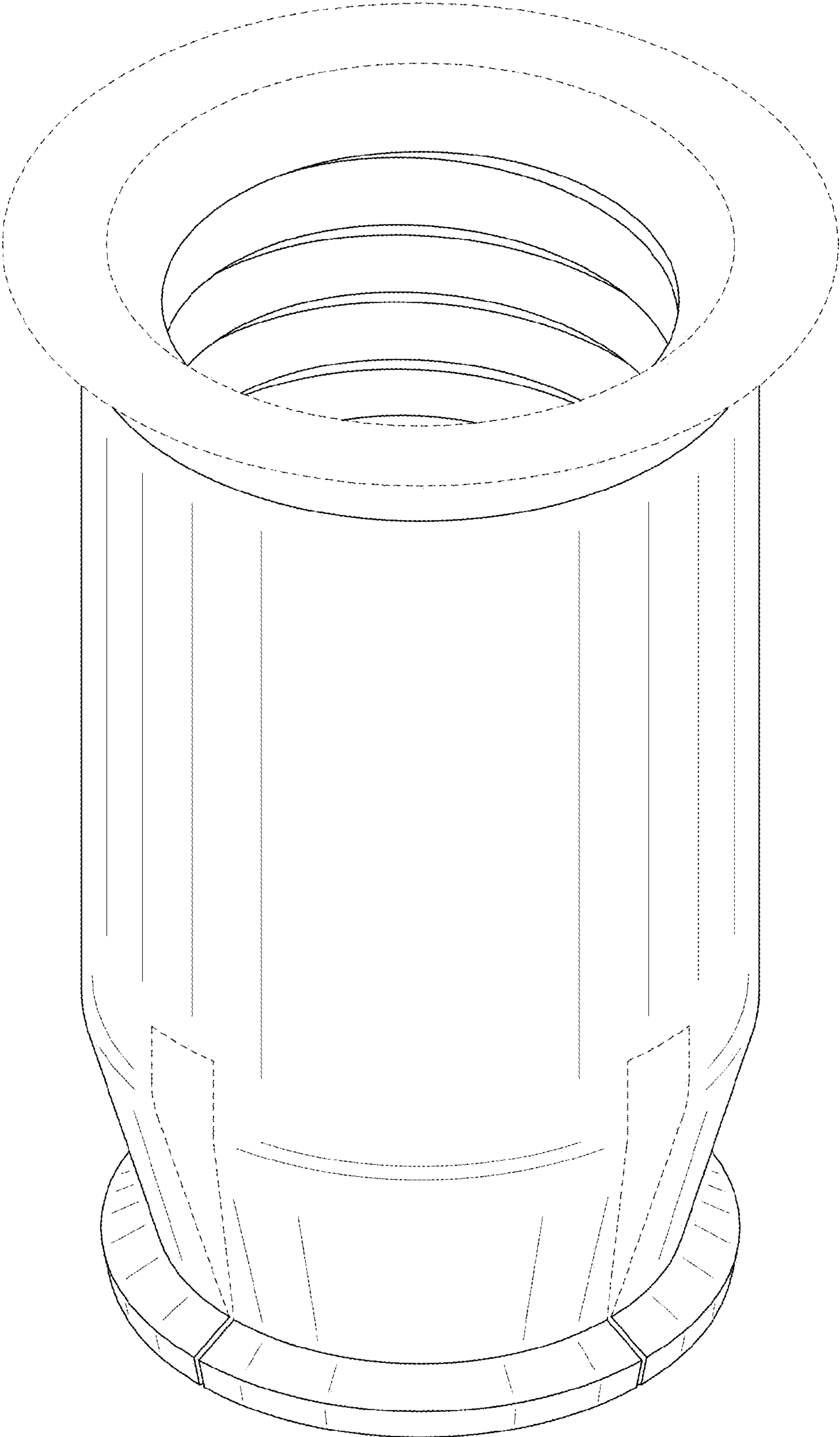


FIG. 2

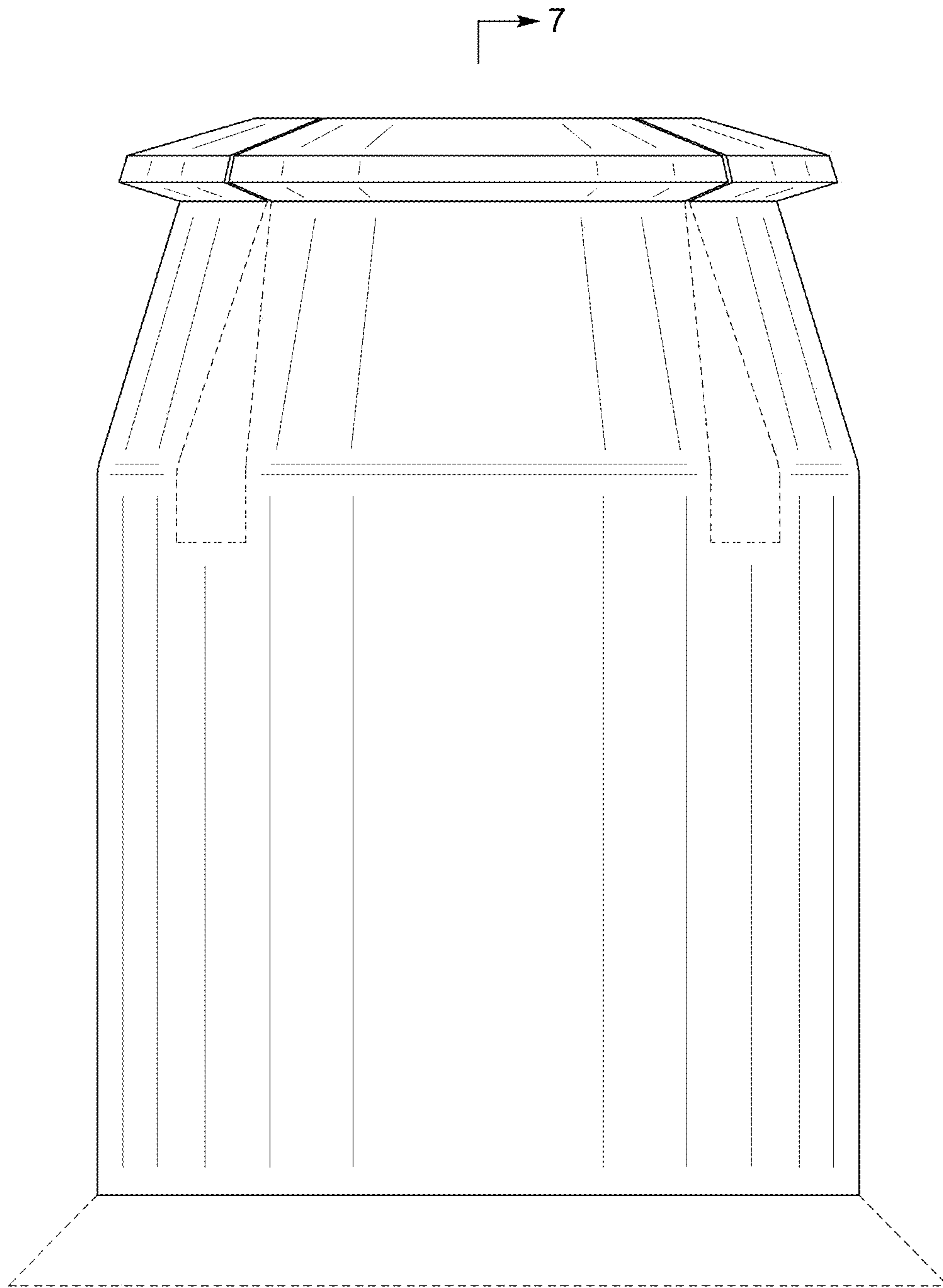


FIG. 3

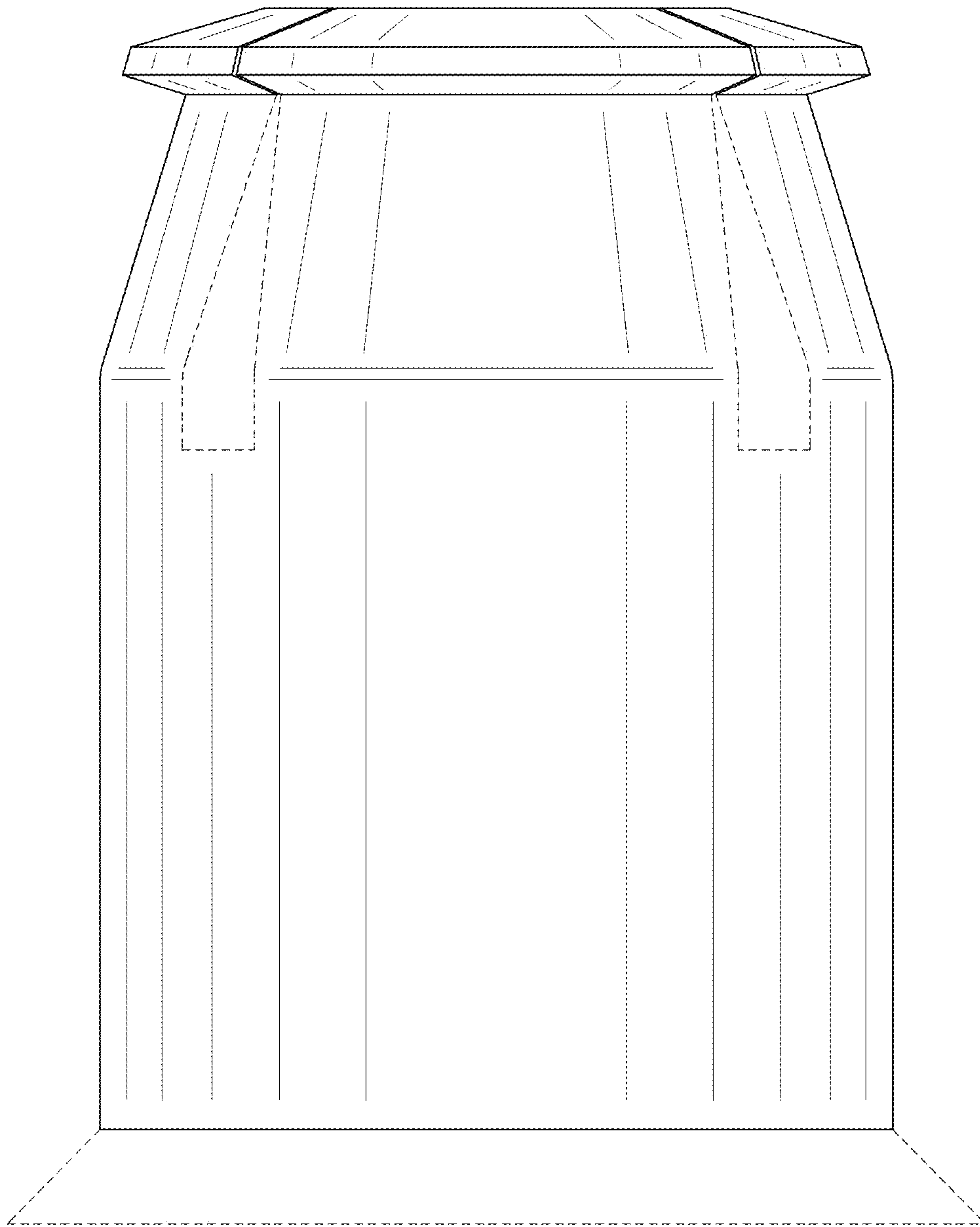


FIG. 4

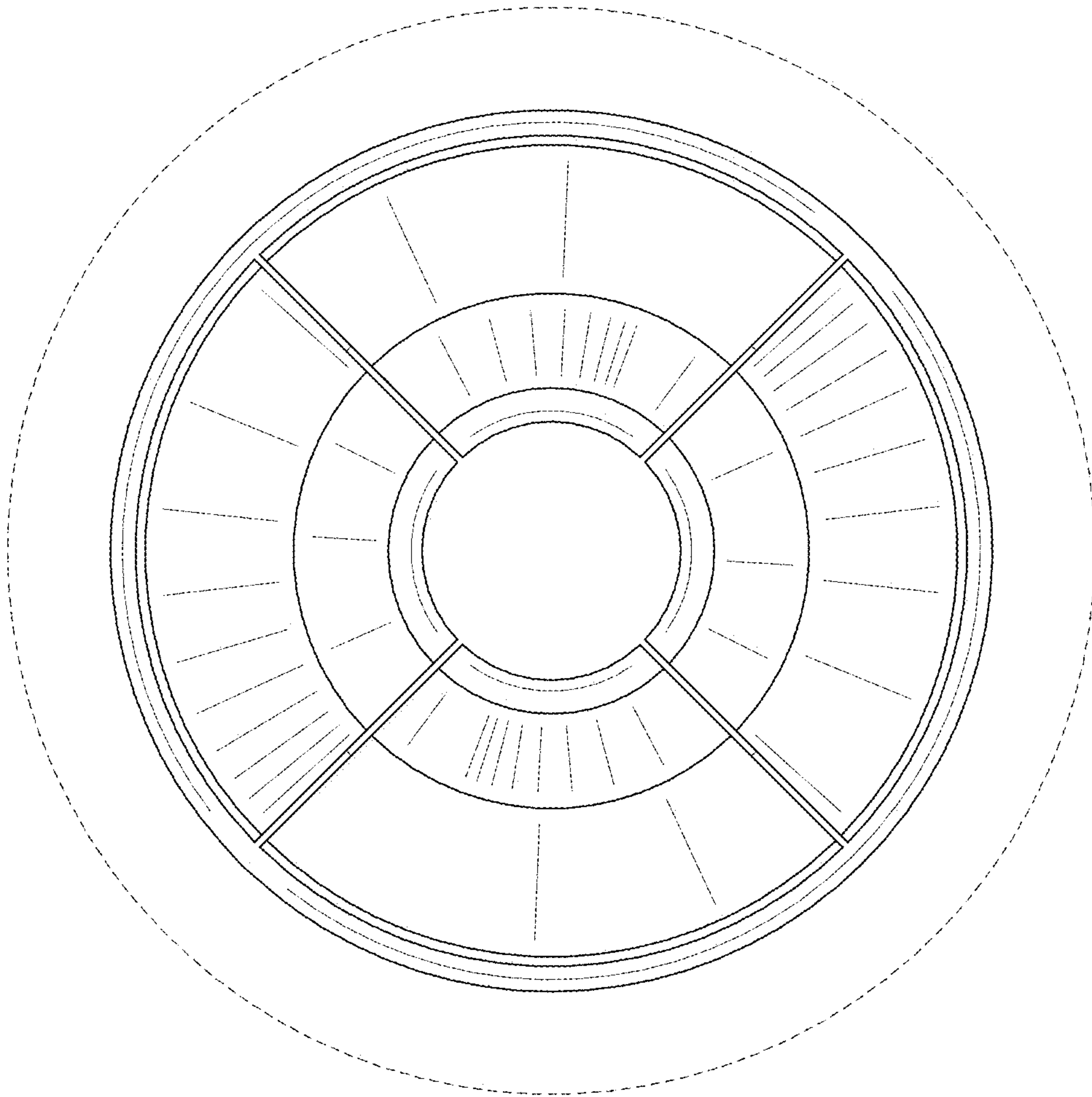


FIG. 5

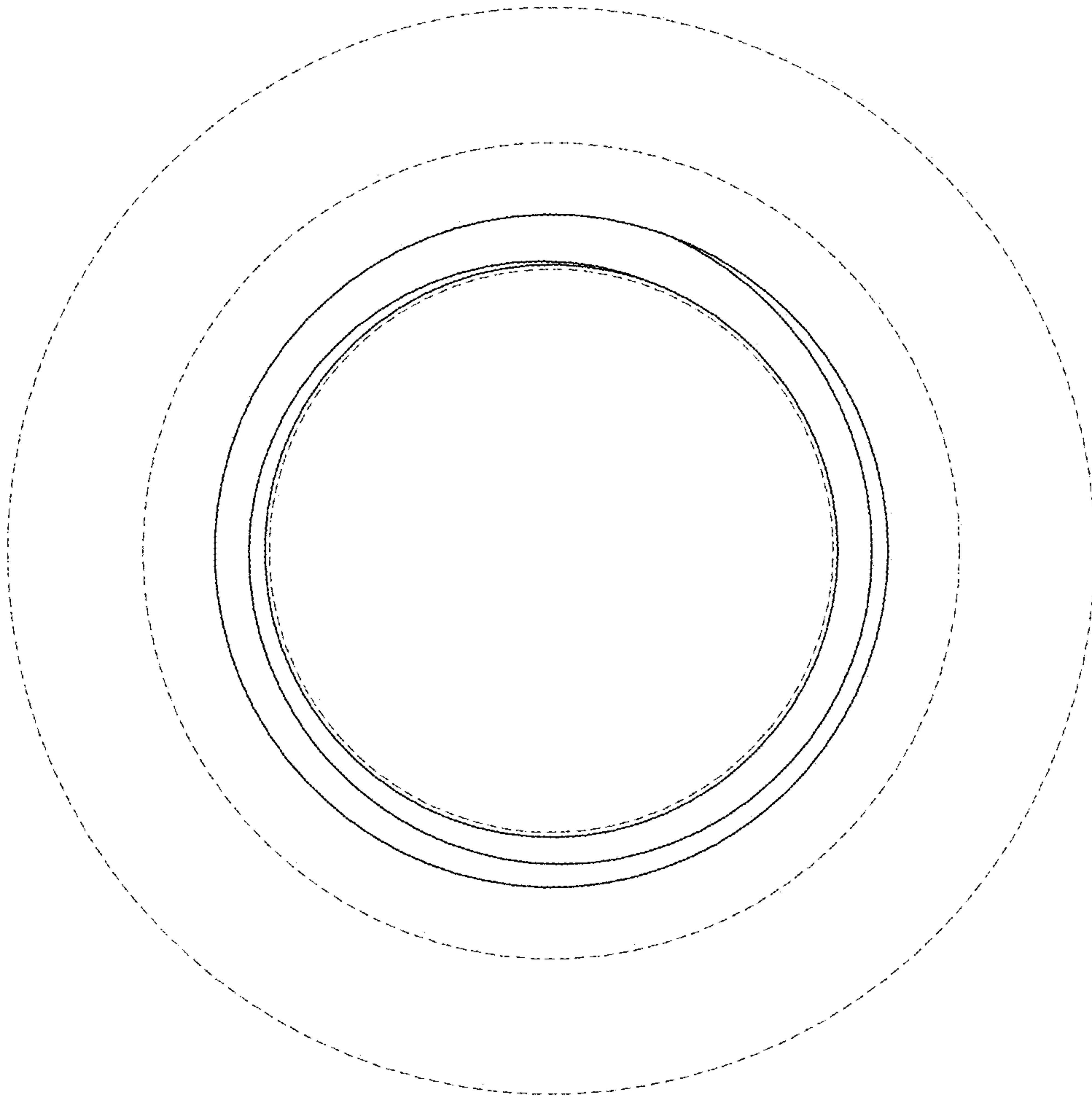


FIG. 6

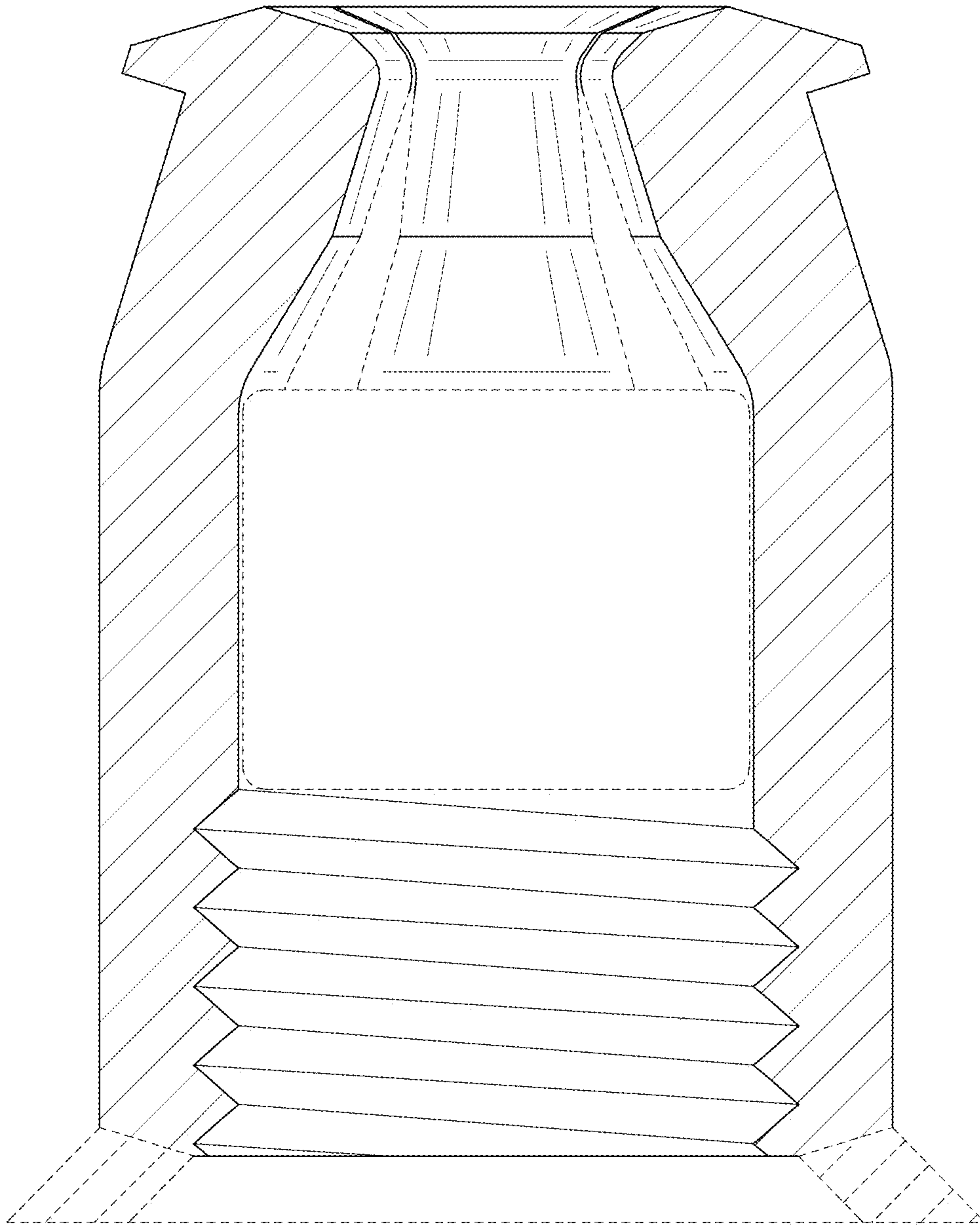


FIG. 7