



US00D880996S

(12) **United States Design Patent**  
**Cramer**

(10) **Patent No.:** **US D880,996 S**

(45) **Date of Patent:** **\*\* Apr. 14, 2020**

(54) **DRILL-IN CONCRETE FORM TIE**

(71) Applicant: **OCM, Inc.**, Vernon Hills, IL (US)

(72) Inventor: **Andy Cramer**, Johnsburg, IL (US)

(73) Assignee: **OCM, inc.**, Grayslake, IL (US)

(\*\*) Term: **15 Years**

(21) Appl. No.: **29/661,726**

(22) Filed: **Aug. 30, 2018**

(51) **LOC (12) Cl.** ..... **08-08**

(52) **U.S. Cl.**

USPC ..... **D8/384**

(58) **Field of Classification Search**

USPC ..... D8/354, 349, 382, 384, 385, 388, 389,  
D8/390, 391; D25/199

CPC .. E04C 2002/046; E04C 2/2885; E04C 2/044;  
E04C 2/46; E04C 2/288; E04C 5/168;  
E04C 5/20; E04C 2002/047; E04C  
2002/045; E04B 1/41; E04B 2/8635;  
B28B 19/003; B28B 23/005; F27D 1/141;  
F27D 1/142; F27D 1/144

See application file for complete search history.

(56) **References Cited**

**U.S. PATENT DOCUMENTS**

D189,259 S *	11/1960	Hughes	.....	D8/394
2,977,659 A *	4/1961	Buxton	.....	E04G 17/0721 249/41
3,263,958 A	8/1966	Cox et al.		
3,785,610 A	1/1974	Dagiel		
3,880,397 A *	4/1975	Becker	.....	E04G 17/0721 249/214
4,018,023 A *	4/1977	Anderson	.....	F27D 1/144 52/410
4,052,032 A	10/1977	Lovisa et al.		
4,208,030 A *	6/1980	Wilson	.....	E04G 17/0721 249/190

D265,288 S *	7/1982	McLean	.....	D8/391
4,385,745 A	5/1983	Bennett		
5,011,354 A *	4/1991	Brownlee	.....	F16B 15/00 411/439
D357,855 S *	5/1995	Keith	.....	D8/384
5,519,973 A *	5/1996	Keith	.....	B28B 19/003 52/410
5,586,605 A	12/1996	Paterson et al.		

(Continued)

*Primary Examiner* — Sandra S Snapp

*Assistant Examiner* — Ieisha N Price

(74) *Attorney, Agent, or Firm* — Liell & McNeil

(57) **CLAIM**

The ornamental design for a drill-in concrete form tie, as shown and described.

**DESCRIPTION**

FIG. 1 is a front view of a drill-in concrete form tie according to the present design;

FIG. 2 is a bottom view of the drill-in concrete form tie;

FIG. 3 is an enlarged left side view of the drill-in concrete form tie;

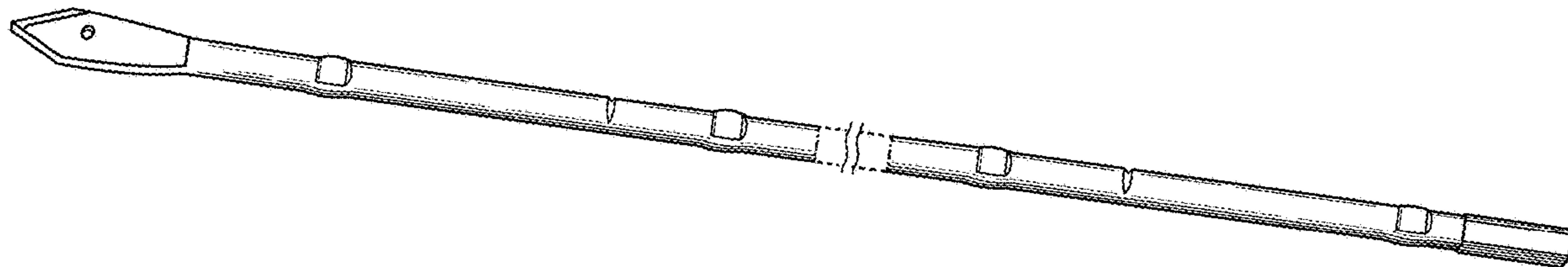
FIG. 4 is an enlarged right side view of the drill-in concrete form tie;

FIG. 5 is an enlarged front view of the left end of the drill-in concrete form tie taken from indication circle 5 of FIG. 1;

FIG. 6 is an enlarged bottom view of the left end of the drill-in concrete form tie taken from indication circle 6 of FIG. 2; and,

FIG. 7 is a perspective view of the drill-in concrete form tie. The broken lines in the drawings illustrate portions of the drill-in concrete form tie and form no part of the claimed design. The drill-in concrete form tie is shown with a symbolic break in its length. The appearance of any portion of the article between the break lines forms no part of the claimed design.

**1 Claim, 1 Drawing Sheet**





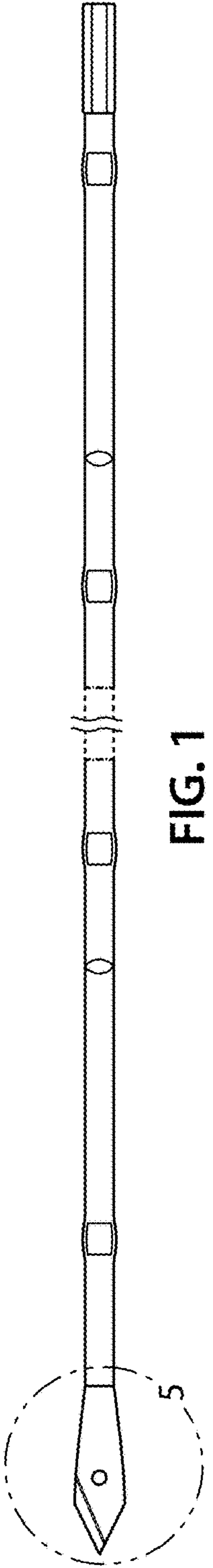
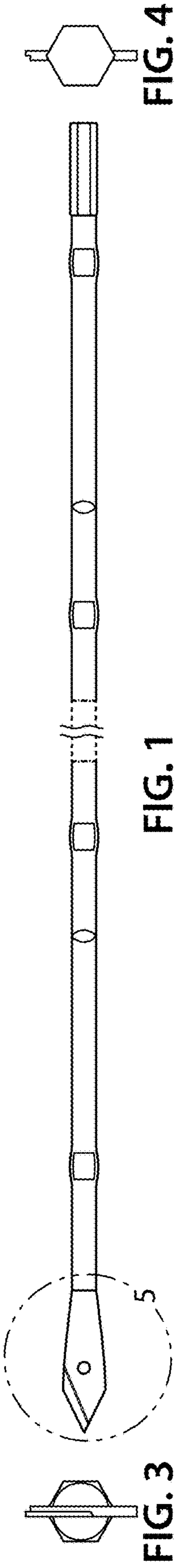


FIG. 4

FIG. 1

FIG. 3

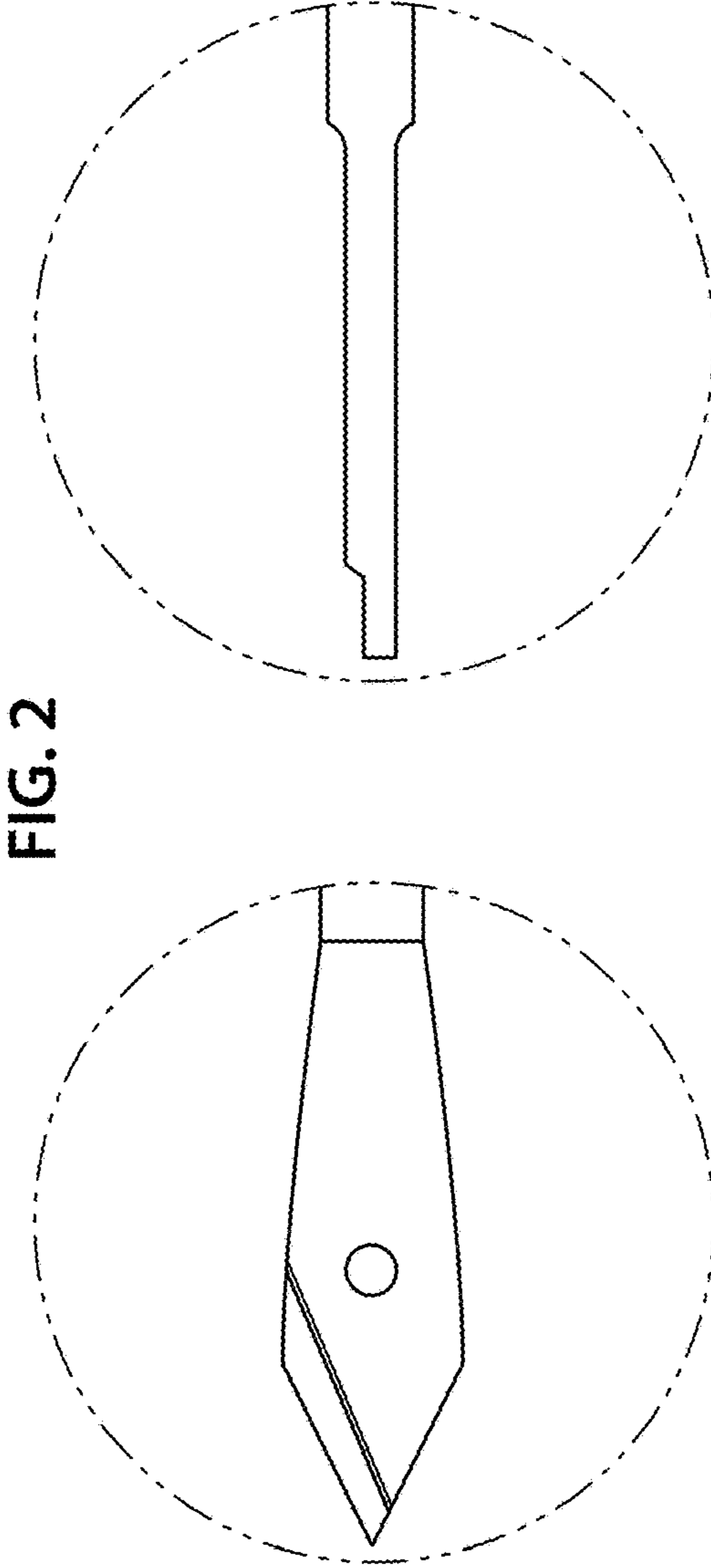


FIG. 2

FIG. 5

FIG. 6

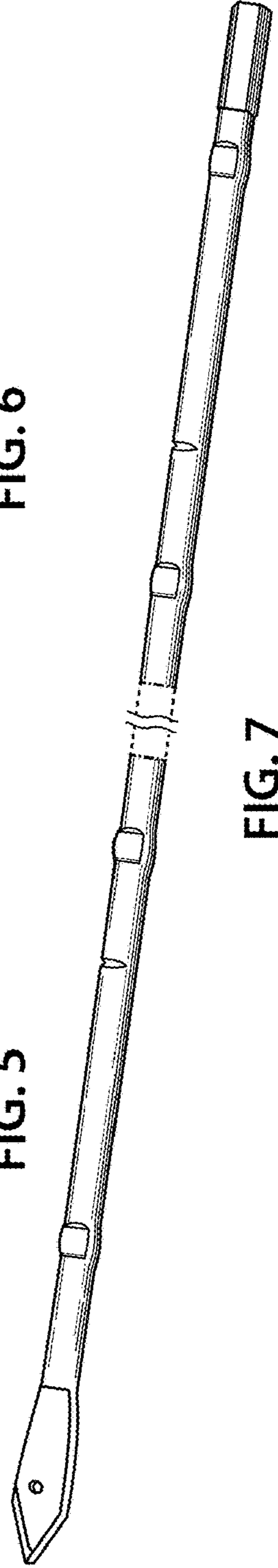


FIG. 7