



US00D880995S

(12) **United States Design Patent** (10) **Patent No.:** **US D880,995 S**
Giemza (45) **Date of Patent:** **** Apr. 14, 2020**

(54) **FASTENER**
(71) Applicant: **Gripple Limited**, Sheffield (GB)
(72) Inventor: **Lee Giemza**, West Yorkshire (GB)
(73) Assignee: **GRIPPLE LIMITED** (GB)
(**) Term: **15 Years**
(21) Appl. No.: **29/643,431**
(22) Filed: **Apr. 9, 2018**
(30) **Foreign Application Priority Data**
Oct. 31, 2017 (EM) 004428142-0003
(51) **LOC (12) Cl.** **08-08**
(52) **U.S. Cl.**
USPC **D8/383**
(58) **Field of Classification Search**
USPC D8/14, 44, 47, 71, 72, 349, 354, 356,
D8/357, 360.1, 373, 382, 383, 394
CPC F16G 11/106; F16G 11/146; F16G 11/14;
F16G 11/02; F16G 11/00; F16G 11/03;
F16G 11/04; F16G 11/048; F16G 11/08;
F16G 11/10; Y10T 24/39; Y10T 24/3996;
Y10T 24/3918
See application file for complete search history.

D432,403 S * 10/2000 Svensson D8/394
D464,557 S * 10/2002 Alejandro D8/349
D620,346 S * 7/2010 Gretz D8/396
D620,786 S * 8/2010 Gretz D8/396
D640,537 S * 6/2011 Parks D8/396
D674,270 S * 1/2013 Gerber D8/356
D727,854 S * 4/2015 Chance D13/156
9,027,208 B1 * 5/2015 Gretz F16G 11/048
24/135 A
D745,380 S * 12/2015 Williams D8/394
10,027,097 B1 * 7/2018 Jordan H02G 1/081
D833,857 S * 11/2018 Giemza D8/382
D836,430 S * 12/2018 Tillitski D8/383
D851,483 S * 6/2019 Smallhorn D8/383
2003/0081986 A1 * 5/2003 Gordon F16G 11/08
403/3
2004/0195556 A1 * 10/2004 Facey A01K 3/005
256/10
2012/0110791 A1 * 5/2012 Giemza F16G 11/106
24/136 R

(Continued)

Primary Examiner — Sandra S Snapp
Assistant Examiner — Ieisha N Price
(74) *Attorney, Agent, or Firm* — Clark Hill PLC; James R. Foley

(57) **CLAIM**

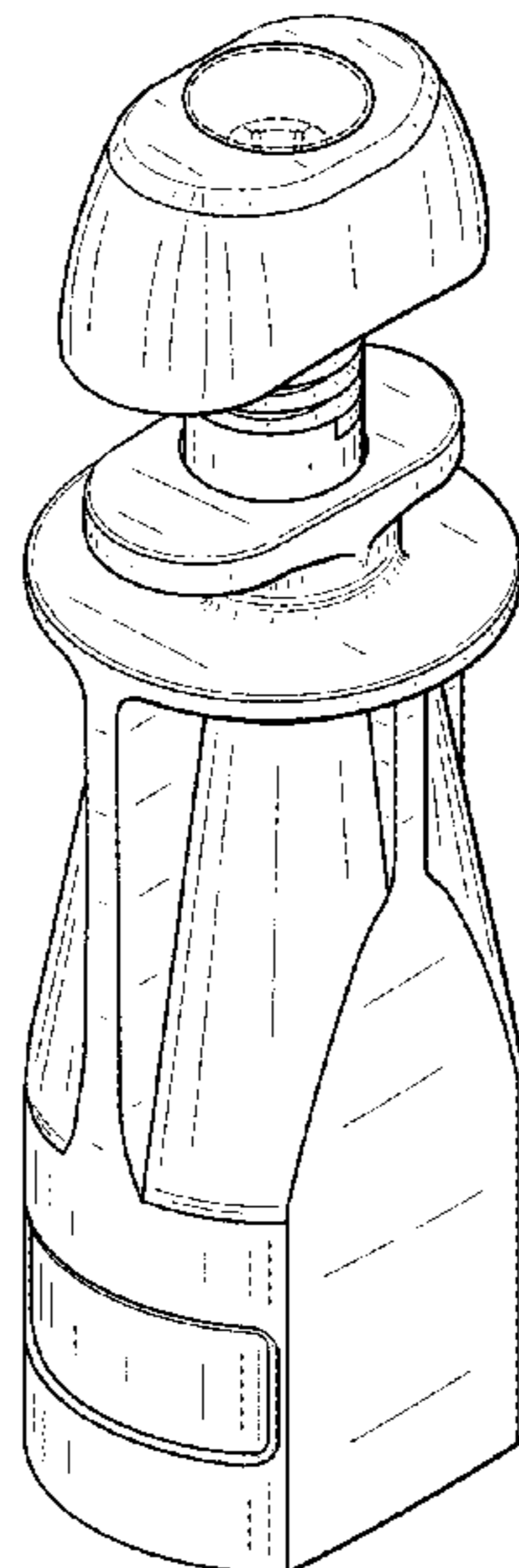
The ornamental design of a fastener, as shown and described.

DESCRIPTION

FIG. 1 is a perspective view of the fastener;
FIG. 2 is a front view of the fastener;
FIG. 3 is a back view of the fastener;
FIG. 4 is a left side view of the fastener;
FIG. 5 is a right side view of the fastener;
FIG. 6 is a top view of the fastener; and,
FIG. 7 is a bottom view of the fastener.
The broken lines in the drawings illustration portions of the fastener and form no part of the claimed design.

1 Claim, 6 Drawing Sheets

(56) **References Cited**
U.S. PATENT DOCUMENTS
1,483,516 A * 2/1924 McIntosh F16G 11/10
403/353
3,868,748 A * 3/1975 Kelly E04C 5/122
24/115 M
4,632,488 A * 12/1986 Long H01R 13/58
439/448
5,369,849 A * 12/1994 De France F16G 11/048
24/115 M



(56)

References Cited

U.S. PATENT DOCUMENTS

2019/0107174 A1* 4/2019 Sullivan F16G 11/10
2019/0136943 A1* 5/2019 Portoles Grin N F16G 11/04

* cited by examiner

FIG. 1

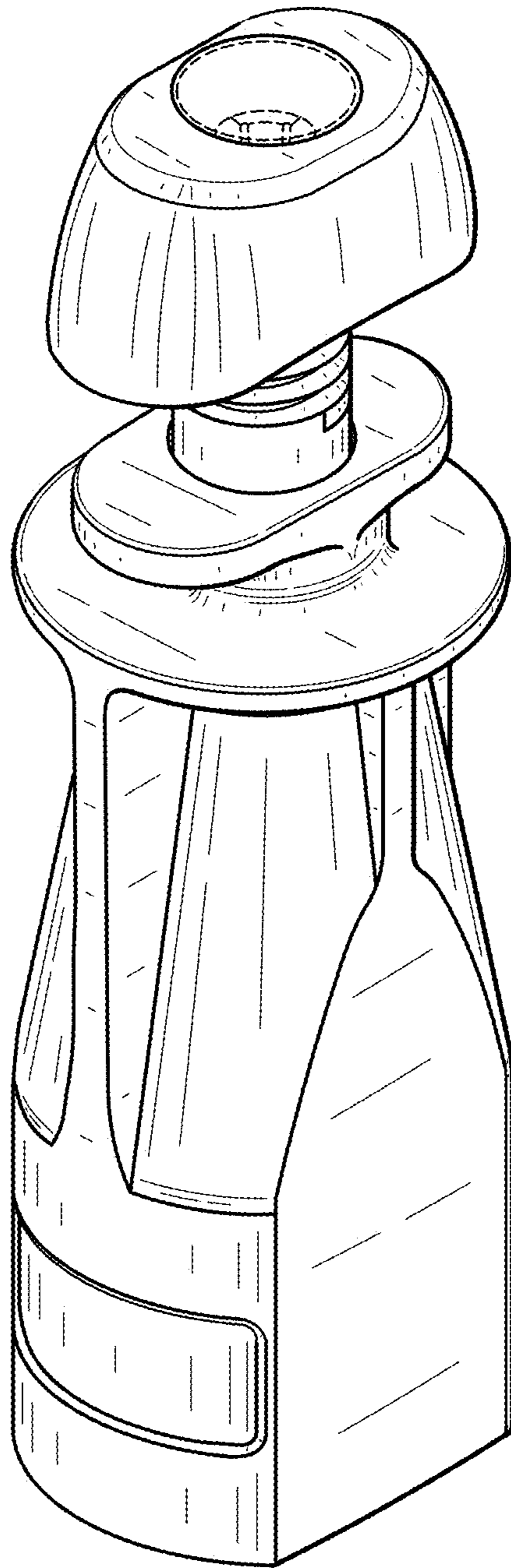


FIG. 2

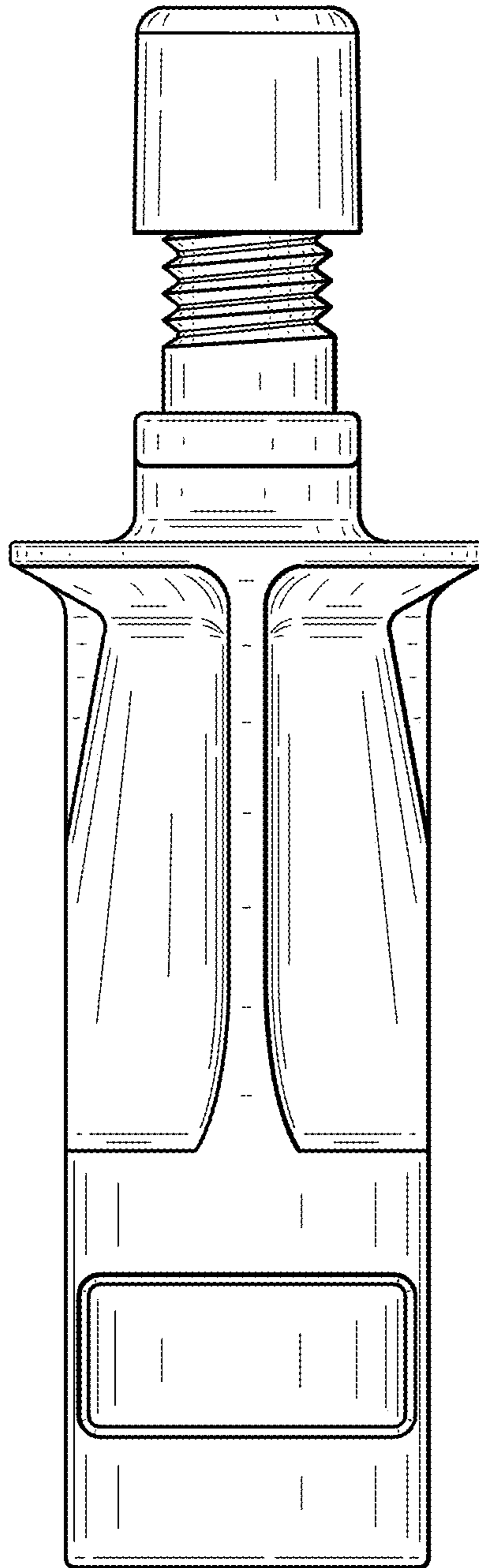


FIG. 3

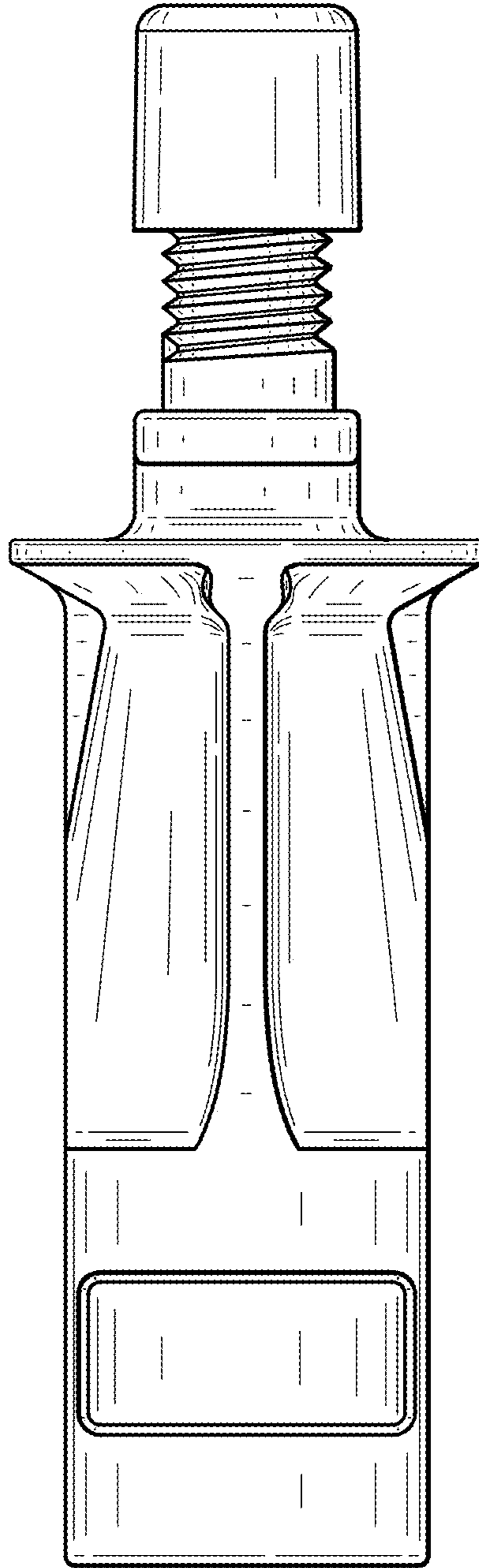


FIG. 4

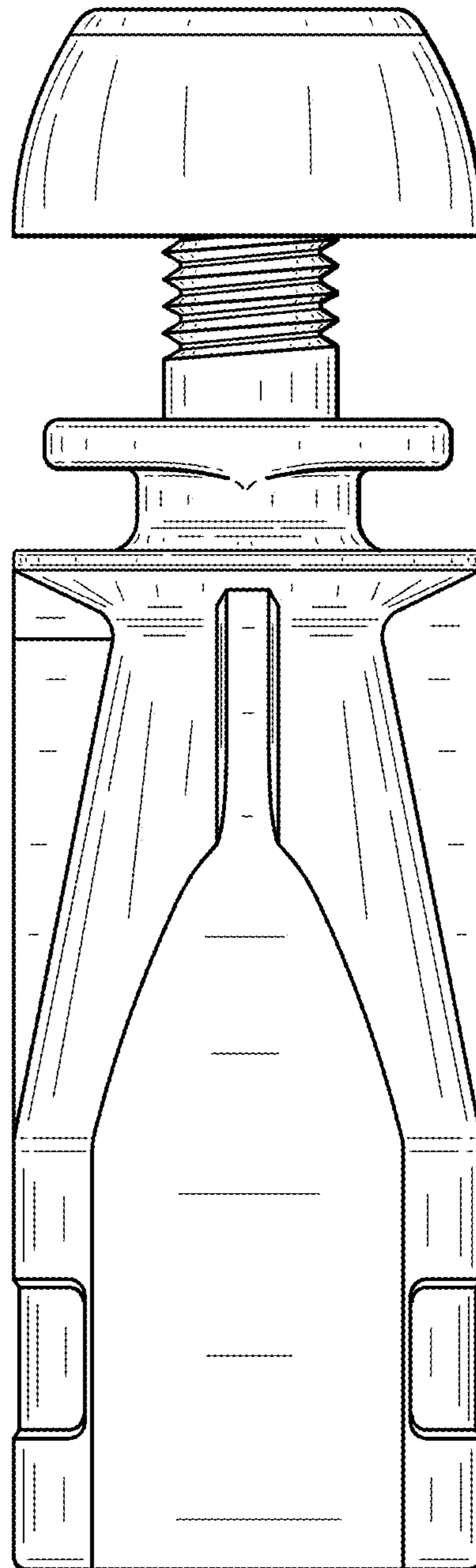


FIG. 5

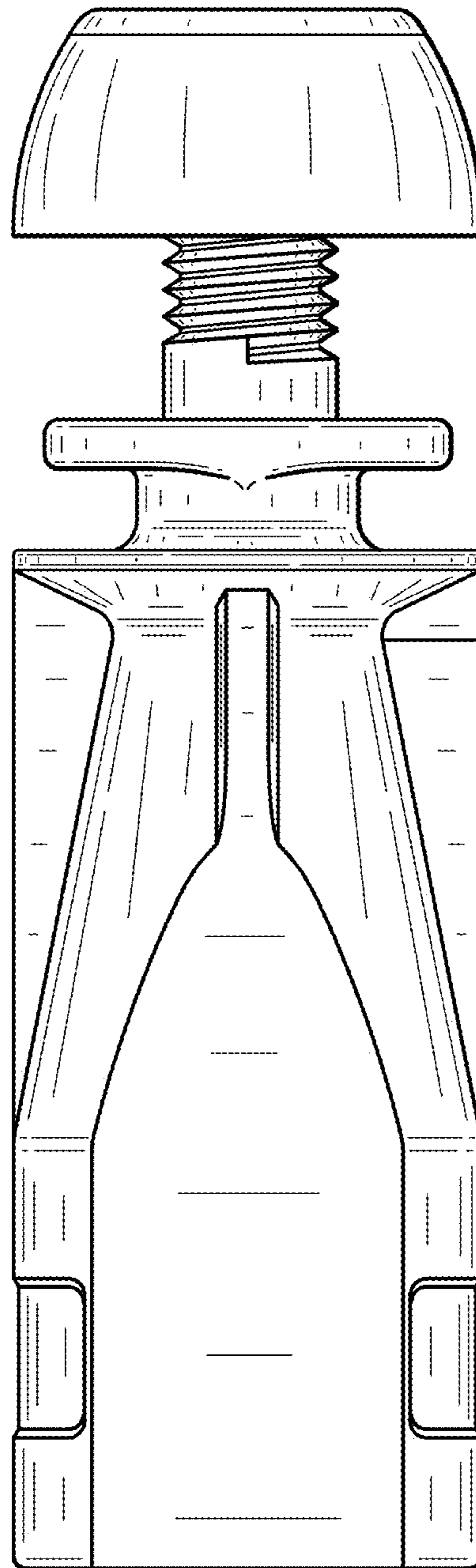


FIG. 6

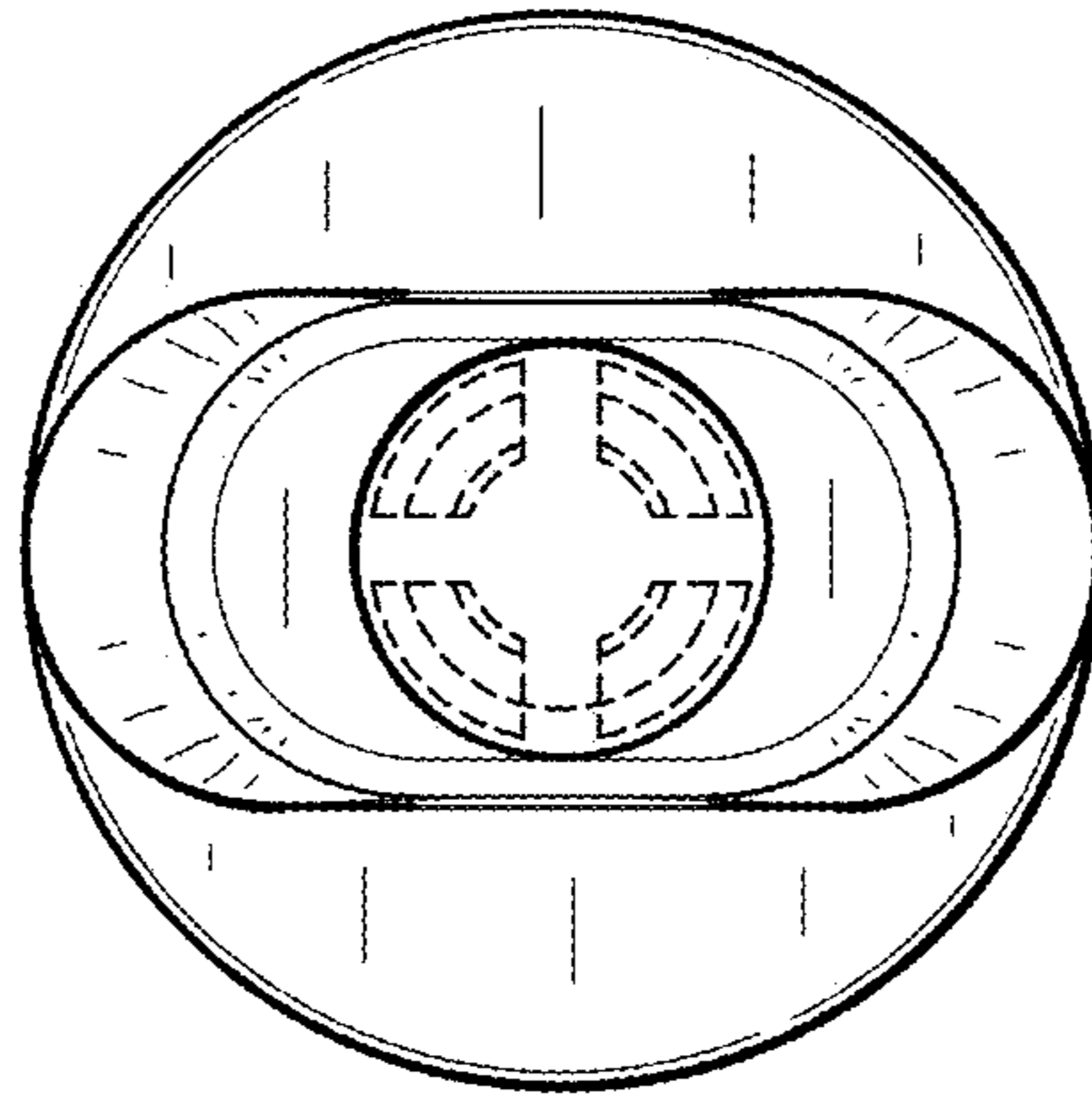


FIG. 7

