



US00D880994S

(12) **United States Design Patent**
Chi

(10) **Patent No.:** **US D880,994 S**

(45) **Date of Patent:** **** Apr. 14, 2020**

(54) **ADJUSTABLE JOINT ASSEMBLY USED FOR FENCES**

(71) Applicant: **Yolon Industrial Inc.**, Taoyuan (TW)

(72) Inventor: **Chien Wen Chi**, Taoyuan (TW)

(73) Assignee: **Yolon Industrial Inc.**, Taoyuan (TW)

(**) Term: **15 Years**

(21) Appl. No.: **29/668,315**

(22) Filed: **Oct. 29, 2018**

(51) **LOC (12) Cl.** **08-08**

(52) **U.S. Cl.**
USPC **D8/382**; D25/133

(58) **Field of Classification Search**
USPC D8/323, 349, 353, 366, 374, 382;
D25/38.1, 61, 133, 134, 199
CPC . F21V 21/088; F16B 7/00; F16B 7/14; A47B
47/0008
See application file for complete search history.

(56) **References Cited**

U.S. PATENT DOCUMENTS

D375,451 S	*	11/1996	Ohkubo	D8/323
D413,058 S	*	8/1999	Murakami	D8/382
D564,868 S	*	3/2008	Terada	D8/382
D602,771 S	*	10/2009	VanElverdinghe	D8/382
D633,374 S	*	3/2011	Diener	D8/382
D654,353 S	*	2/2012	Tabler	D8/382
D658,045 S	*	4/2012	Tabler	D8/382
D731,880 S	*	6/2015	Thrush	D8/382
D783,390 S	*	4/2017	Nelson	D8/349

D815,300 S	*	4/2018	Lin	F16B 7/042
					D25/38.1
2010/0083437	A1*	4/2010	Hui	E04H 4/14
					4/506
2018/0110344	A1*	4/2018	Matsumoto	F16B 7/14

FOREIGN PATENT DOCUMENTS

EM 002017731-0002 * 4/2012

* cited by examiner

Primary Examiner — Leanne Was-Englehart

(57) **CLAIM**

The ornamental design for an adjustable joint assembly used for fences, as shown and described.

DESCRIPTION

FIG. 1 is a top, front and right side perspective view of an adjustable joint assembly used for fences showing my new design;

FIG. 2 is a bottom, front and right side perspective view thereof;

FIG. 3 is a top, rear and right side perspective view thereof;

FIG. 4 is a front elevational view thereof;

FIG. 5 is a rear elevational view thereof;

FIG. 6 is a left side view thereof;

FIG. 7 is a right side view thereof;

FIG. 8 is a top plan view thereof;

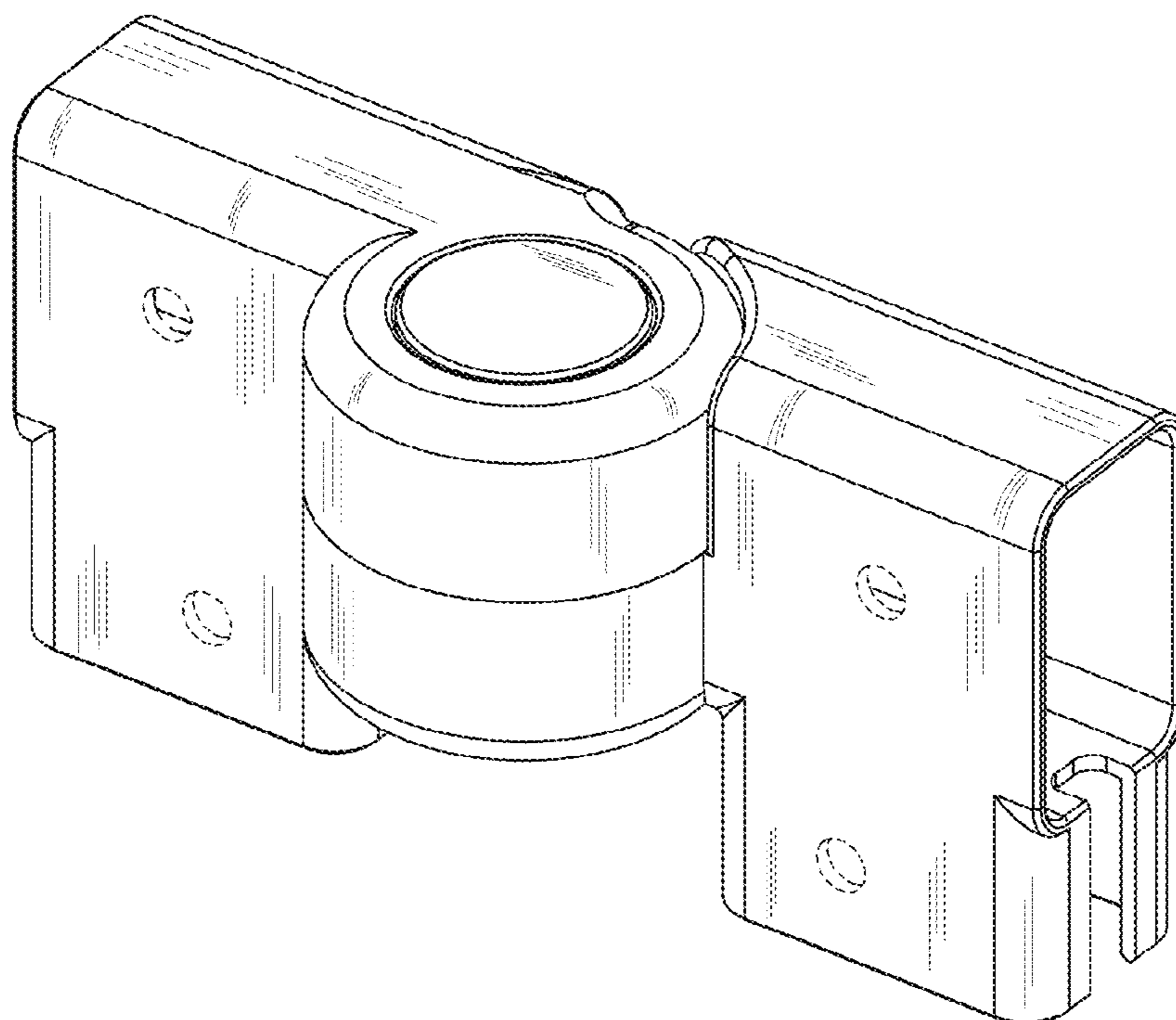
FIG. 9 is a bottom plan view thereof;

FIG. 10 is a first exploded view thereof; and,

FIG. 11 is a second exploded view thereof.

The broken lines in the drawings illustrate portions of the adjustable joint assembly used for fences which form no part of the claimed design.

1 Claim, 11 Drawing Sheets



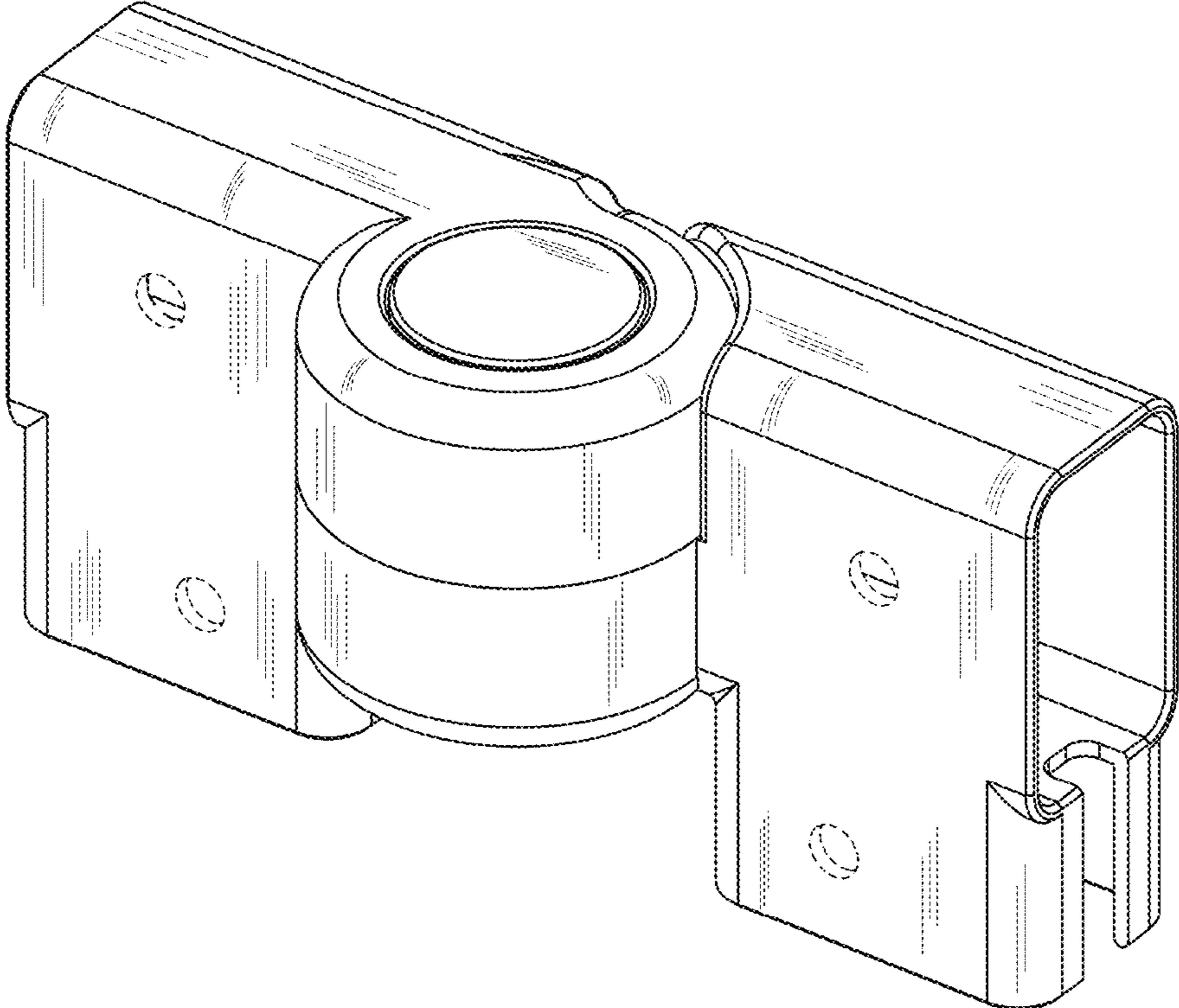


FIG. 1

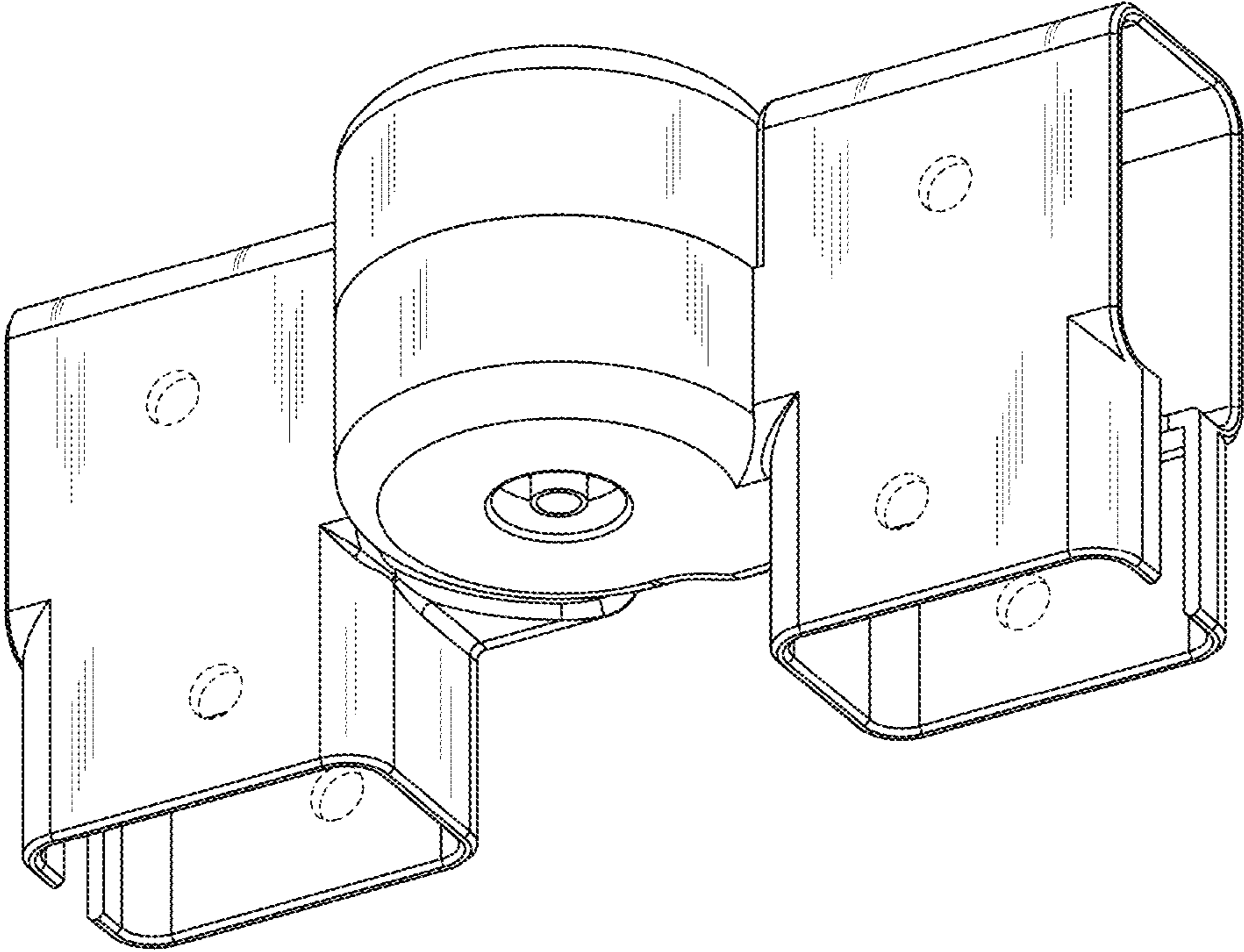


FIG. 2

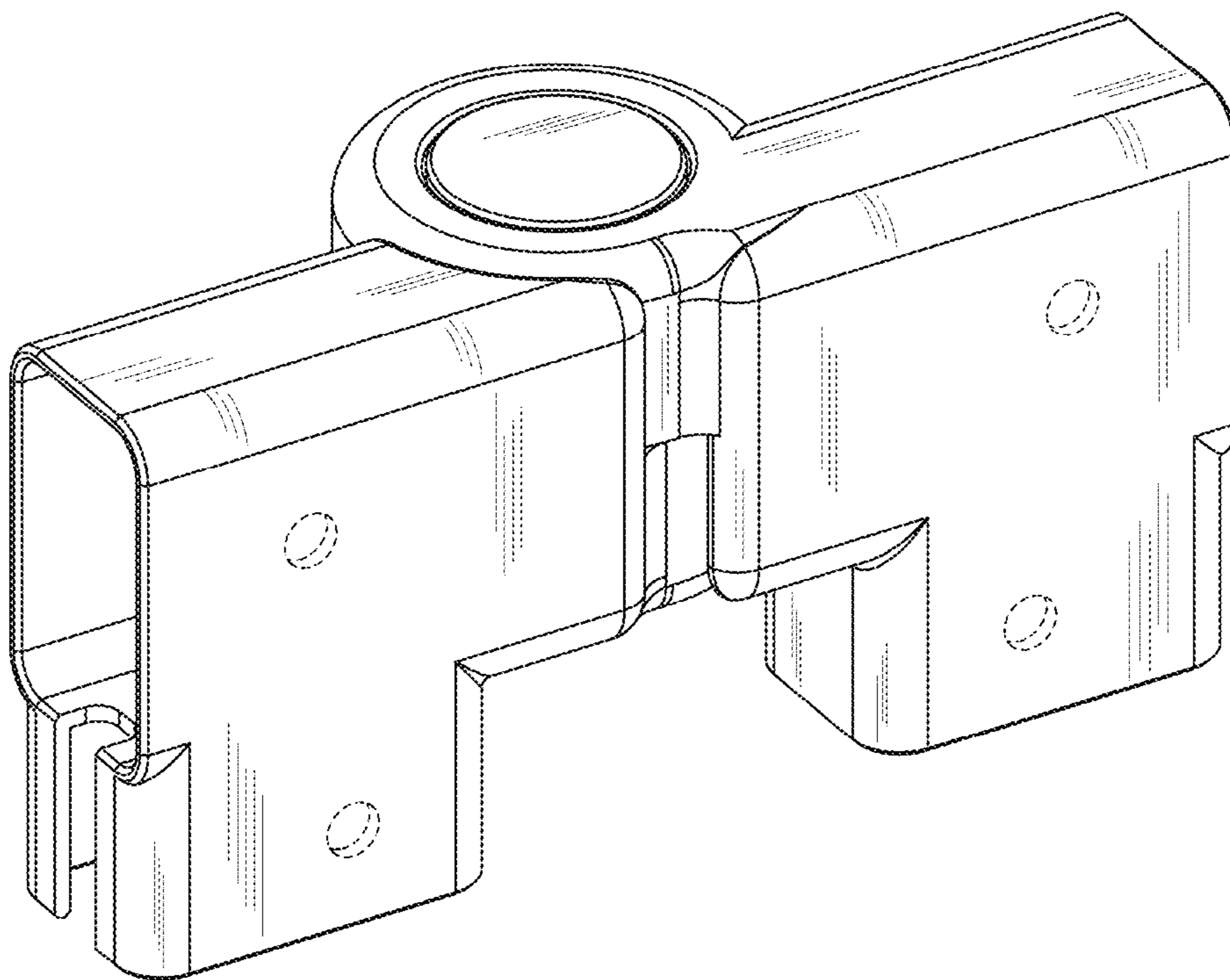


FIG. 3

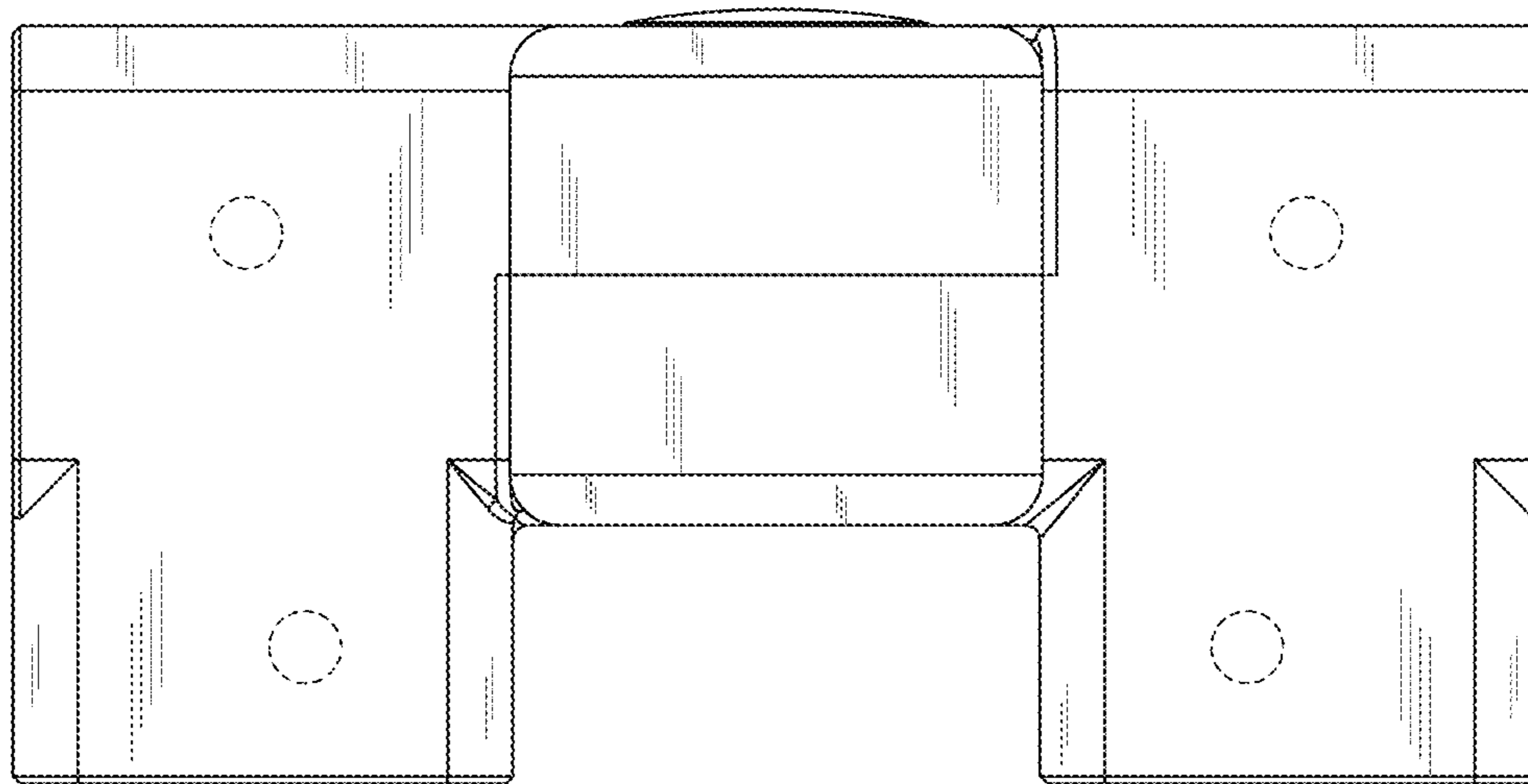


FIG. 4

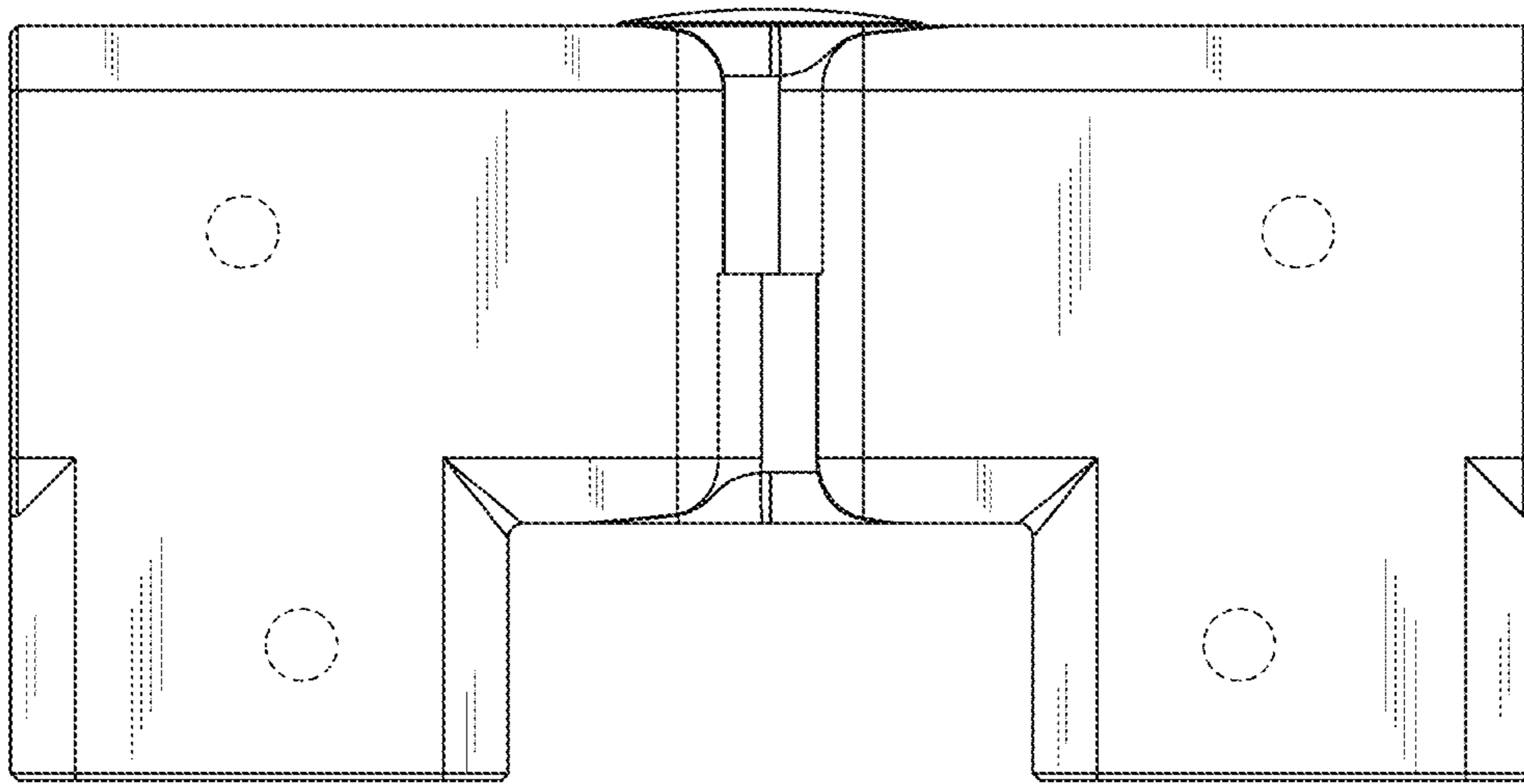


FIG. 5

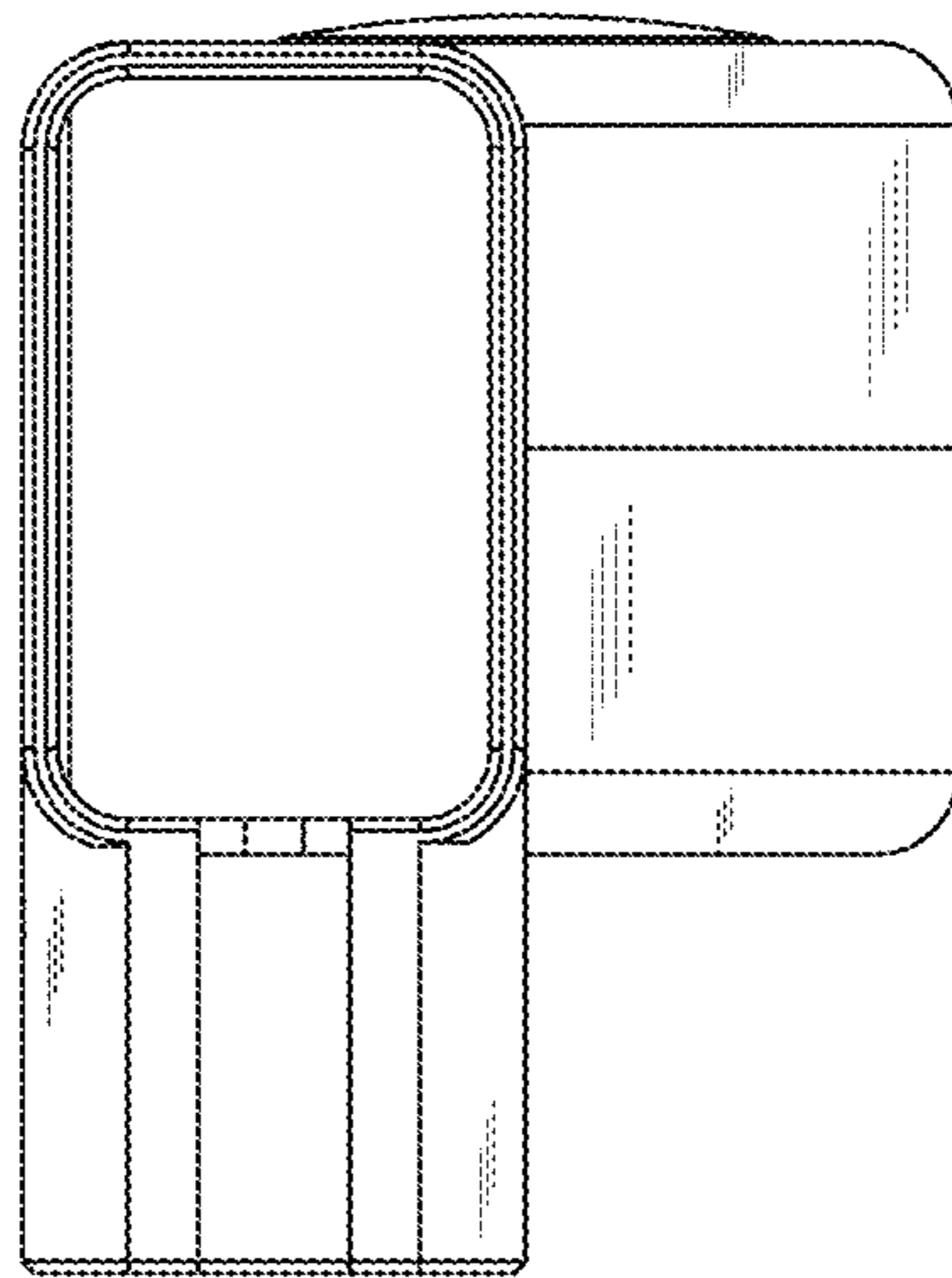


FIG. 6

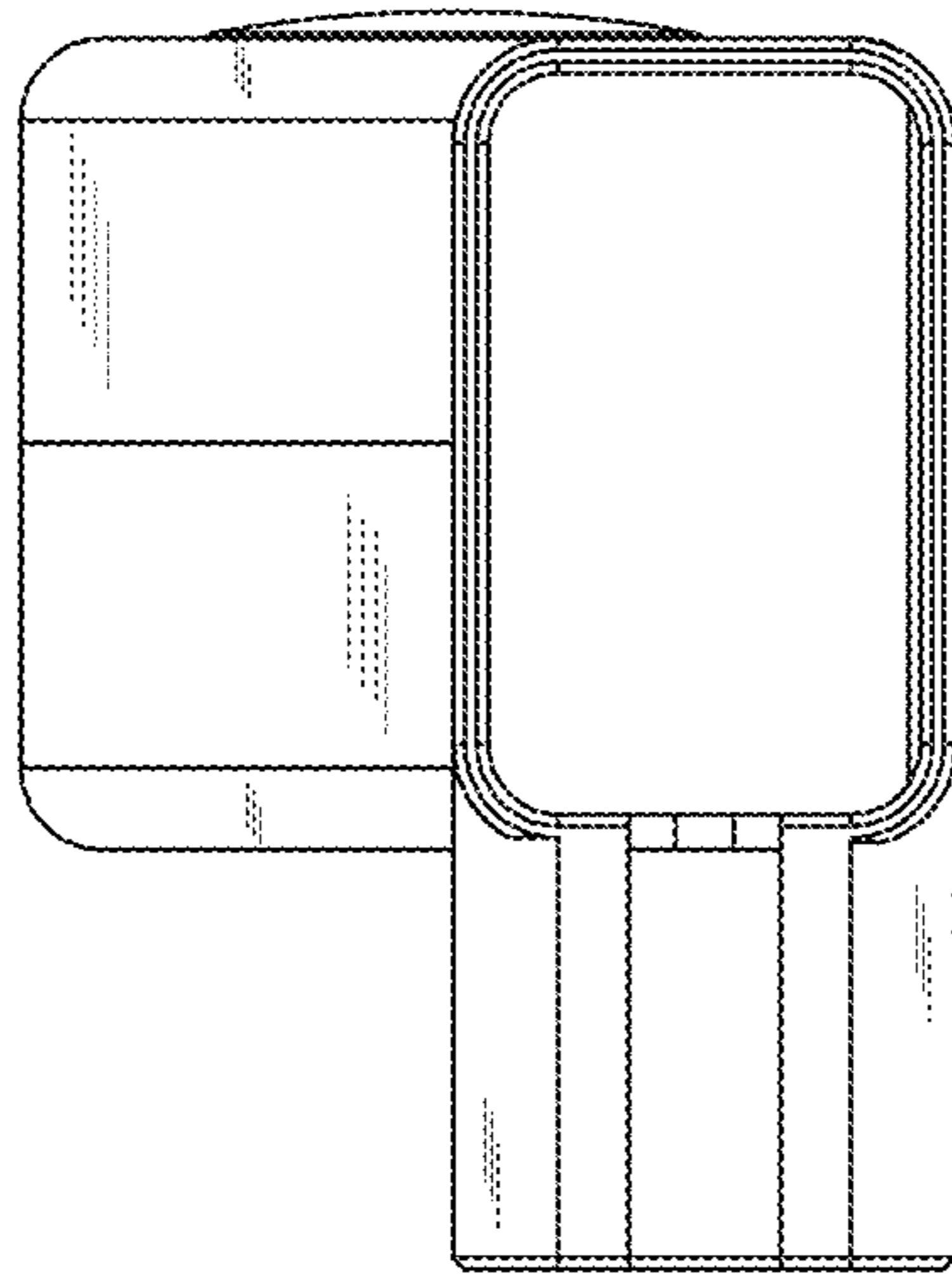


FIG. 7

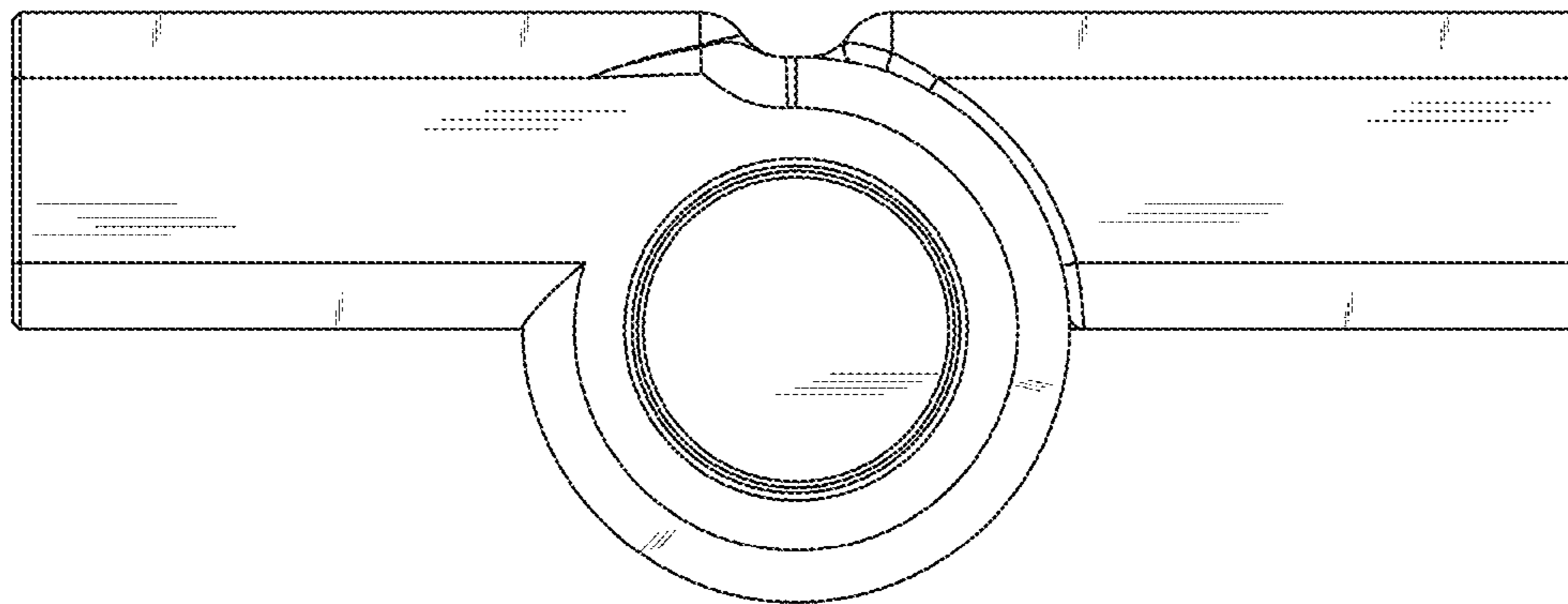


FIG. 8

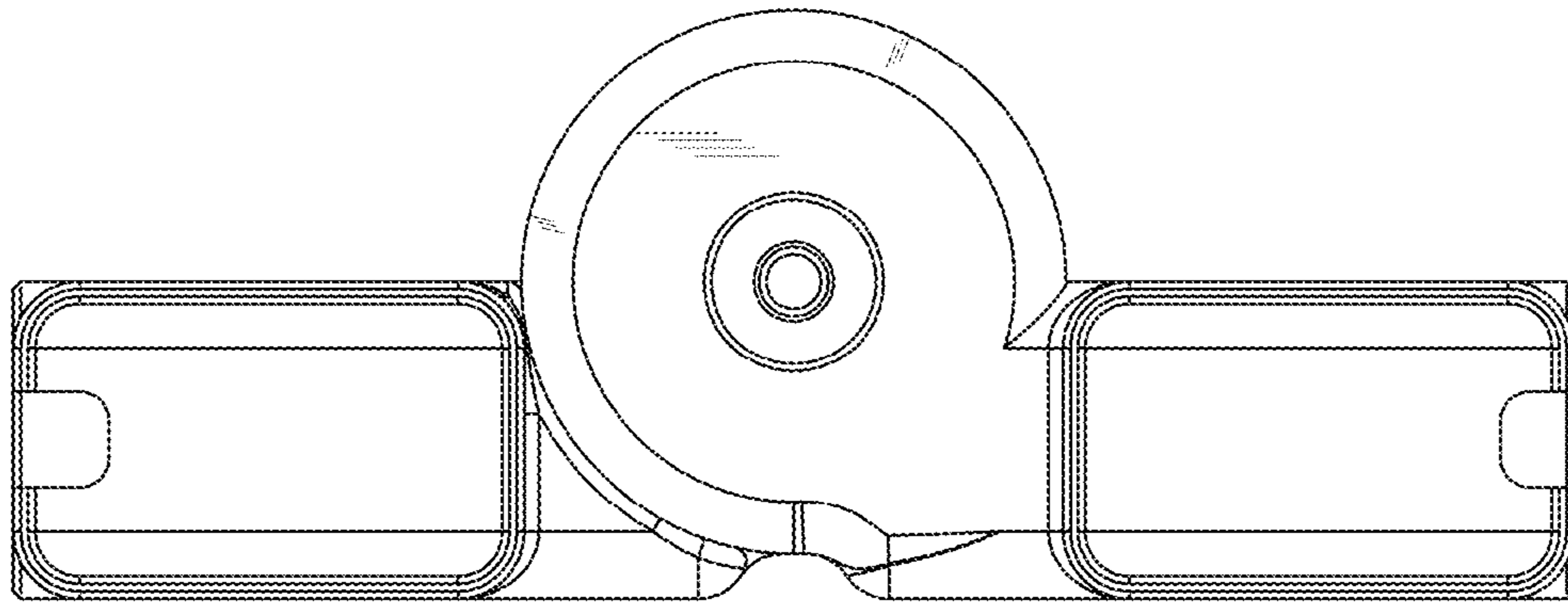


FIG. 9

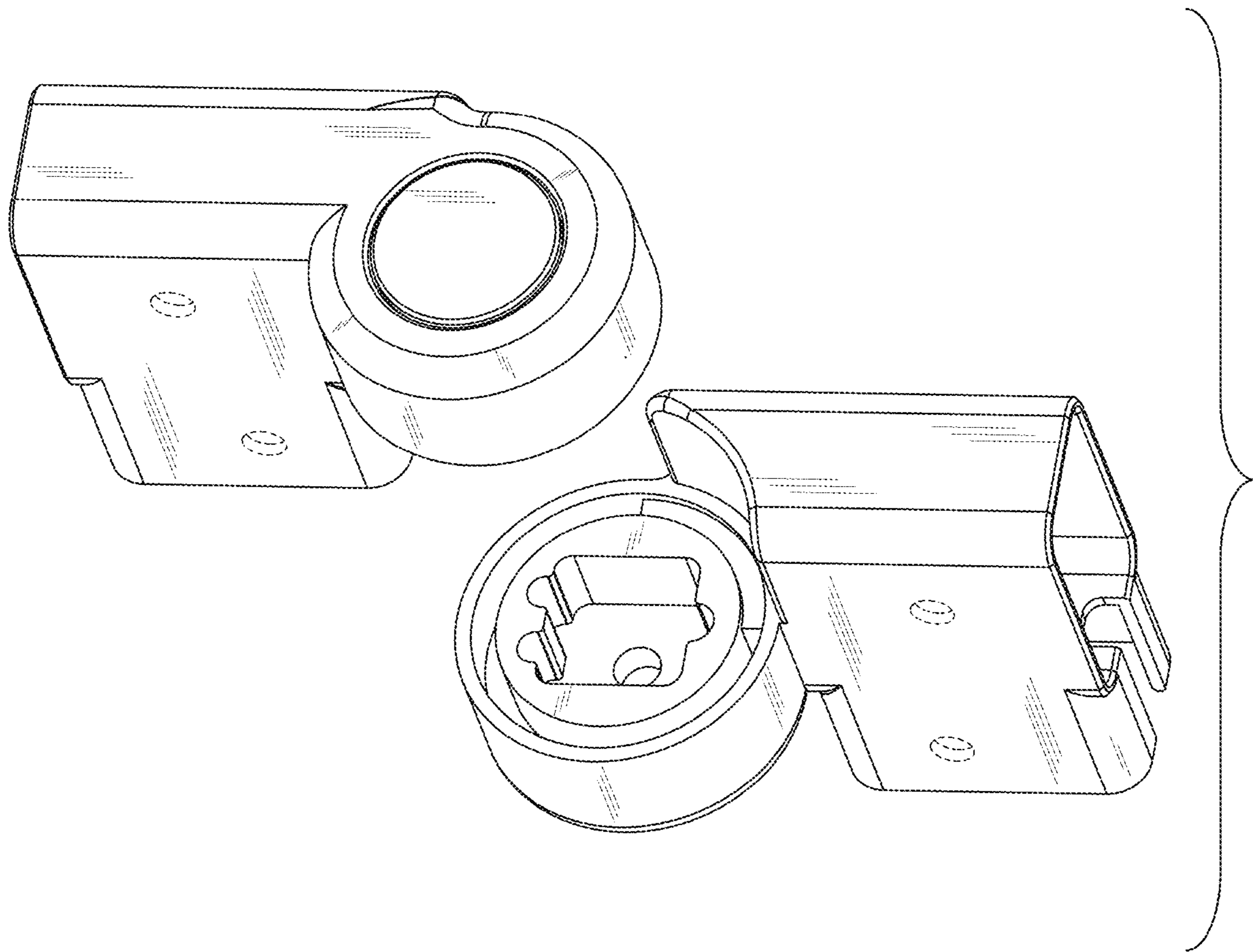


FIG. 10

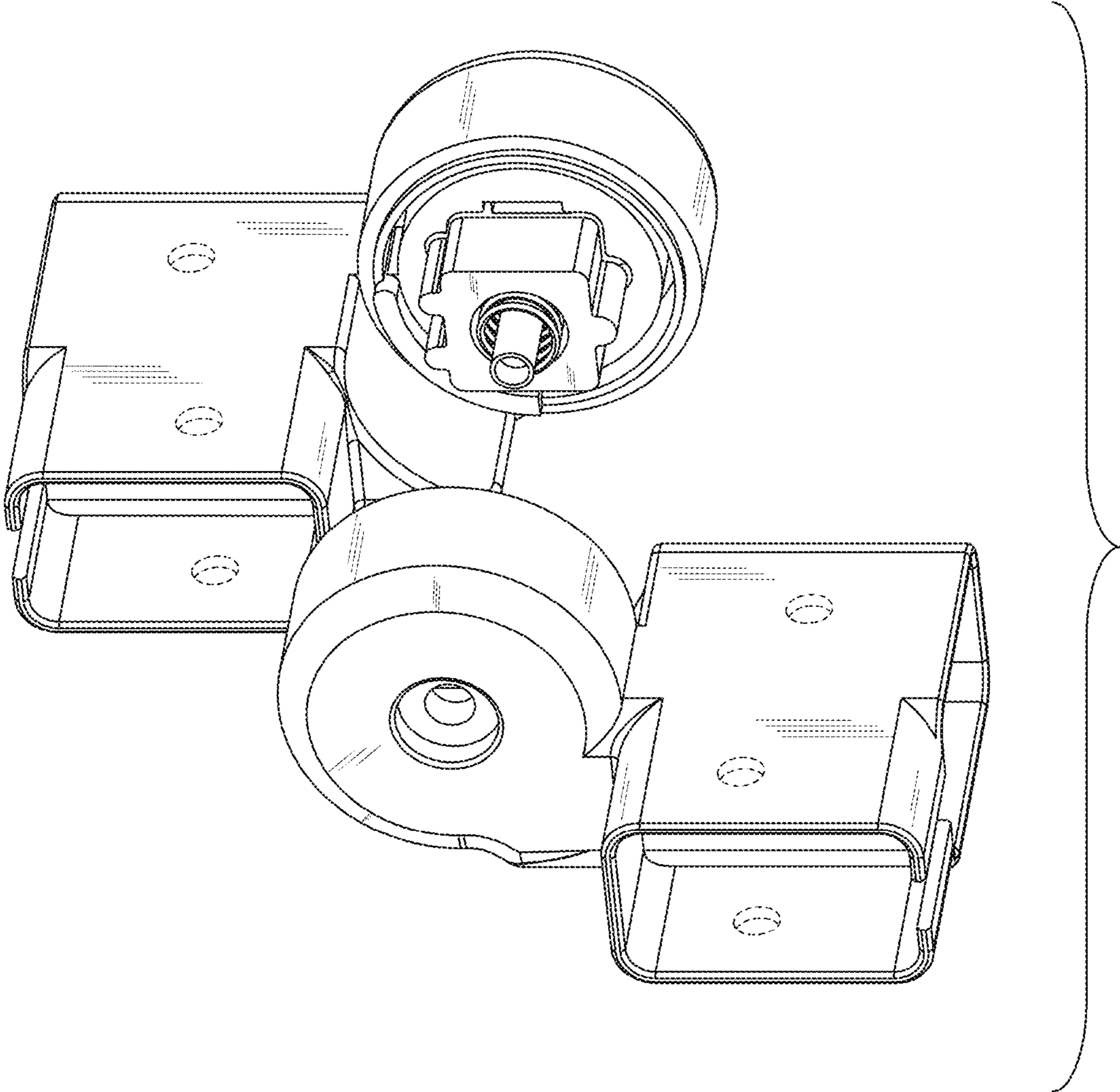


FIG. 11