



US00D880993S

(12) **United States Design Patent**
Netke et al.

(10) **Patent No.:** **US D880,993 S**
(45) **Date of Patent:** **** Apr. 14, 2020**

(54) **MOUNTING DEVICE**

F16B 2200/503; Y10T 24/44026; Y10T
24/30; Y10T 24/309; Y10T 24/45099

(71) Applicant: **ILLINOIS TOOL WORKS INC.**,
Glenview, IL (US)

See application file for complete search history.

(72) Inventors: **Nagesh Netke**, Pune (IN); **Ravindra
Desai**, Pune (IN)

(56) **References Cited**

(73) Assignee: **Illinois Tool Works Inc.**, Glenview, IL
(US)

U.S. PATENT DOCUMENTS

(**) Term: **15 Years**

2,984,698 A * 5/1961 Strauss H01B 17/58
174/138 R
4,070,945 A * 1/1978 Kurosaki F16B 37/043
411/182
D270,516 S * 9/1983 Achille D8/354
D305,099 S * 12/1989 Naruse D8/396
4,971,500 A * 11/1990 Benoit F16B 21/086
411/182
5,093,976 A * 3/1992 Malinow F16B 5/025
29/451
D484,779 S * 1/2004 Shibuya D8/382
D547,269 S * 7/2007 Sugita D13/133
D570,202 S * 6/2008 Katoh D8/382

(21) Appl. No.: **29/665,744**

(22) Filed: **Oct. 5, 2018**

(30) **Foreign Application Priority Data**

Apr. 5, 2018 (IN) 304405
Apr. 5, 2018 (IN) 304406
Apr. 5, 2018 (IN) 304407
Apr. 5, 2018 (IN) 304408
Apr. 5, 2018 (IN) 304409
Apr. 5, 2018 (IN) 304411
Apr. 5, 2018 (IN) 304412
Apr. 5, 2018 (IN) 304413
Apr. 5, 2018 (IN) 304414

(Continued)

Primary Examiner — Sandra S Snapp

Assistant Examiner — Ieisha N Price

(74) *Attorney, Agent, or Firm* — Quarles & Brady LLP

(51) **LOC (12) Cl.** **08-08**

(52) **U.S. Cl.**
USPC **D8/382**

(57) **CLAIM**

The ornamental design for a mounting device, as shown and described.

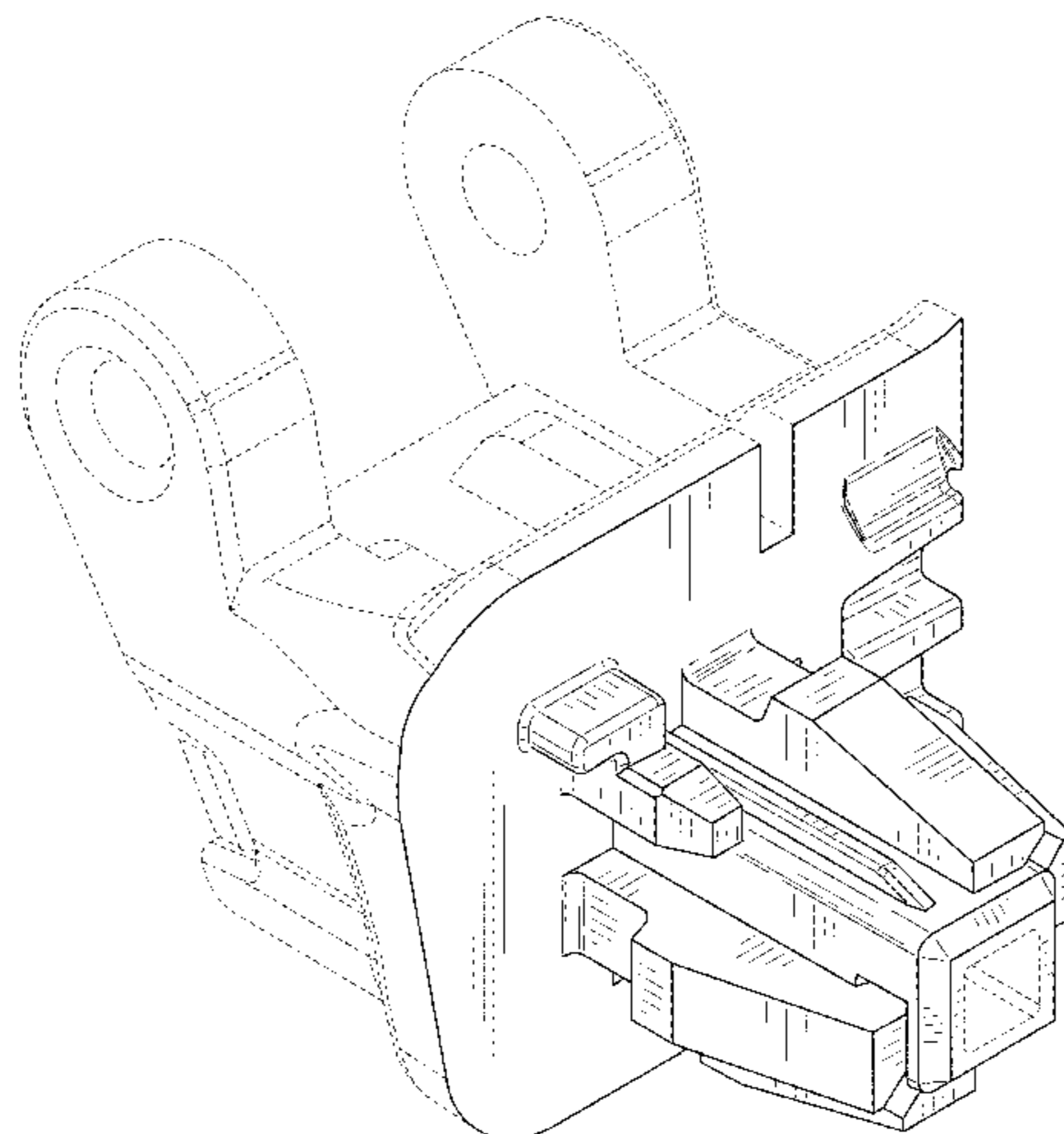
(58) **Field of Classification Search**

USPC D8/349, 354, 382, 394, 395, 388;
D12/400, 192, 221, 223
CPC B60R 13/0206; B60R 13/0212; F16B
5/0621; F16B 5/065; F16B 5/0657; F16B
37/043; F16B 21/06; F16B 21/08; F16B
21/086; F16B 2200/00; F16B 2200/50;

DESCRIPTION

FIG. 1 is an isometric view of a front and left side of an ornamental design for a mounting device;
FIG. 2 is a front elevational view of the mounting device of FIG. 1;
FIG. 3 is a right side elevational view of the mounting device of FIG. 1;
FIG. 4 is a left side elevational view of the mounting device of FIG. 1;
FIG. 5 is a top plan view of the mounting device of FIG. 1; and,
FIG. 6 is a bottom plan view of the mounting device of FIG. 1.

(Continued)



The broken lines in the drawings illustrate portions of the Mounting Device and form no part of the claimed design.

1 Claim, 6 Drawing Sheets

(56)

References Cited

U.S. PATENT DOCUMENTS

D577,284 S *	9/2008	Katoh	D8/382
D601,881 S *	10/2009	Aichmann	D8/382
D641,609 S *	7/2011	Yagame	D8/354
D649,512 S *	11/2011	Shimoji	D13/133
D658,974 S *	5/2012	Komeno	D8/356
D715,136 S *	10/2014	Dale	D8/395
D744,818 S *	12/2015	Matsuo	D8/382
9,599,140 B2 *	3/2017	Diep	F16B 37/04
D841,590 S *	2/2019	Otsuka	D13/134

2008/0141501 A1 *	6/2008	Kuroda	F16B 21/086 24/297
2009/0199371 A1 *	8/2009	Katoh	F16B 5/0628 24/458
2009/0249587 A1 *	10/2009	Donahue-Yan	B60R 13/0206 24/297
2011/0197405 A1 *	8/2011	Kato	F16B 21/065 24/530
2015/0183356 A1 *	7/2015	Aoyama	B60N 3/023 248/220.31
2015/0211555 A1 *	7/2015	Yamamoto	B60R 13/0206 24/289
2015/0283884 A1 *	10/2015	Machida	B60J 3/023 296/97.9
2015/0337882 A1 *	11/2015	Iwahara	F16B 5/0657 24/489
2016/0280173 A1 *	9/2016	Yamamoto	B60R 21/20
2019/0136894 A1 *	5/2019	Leidig	F16B 21/086

* cited by examiner

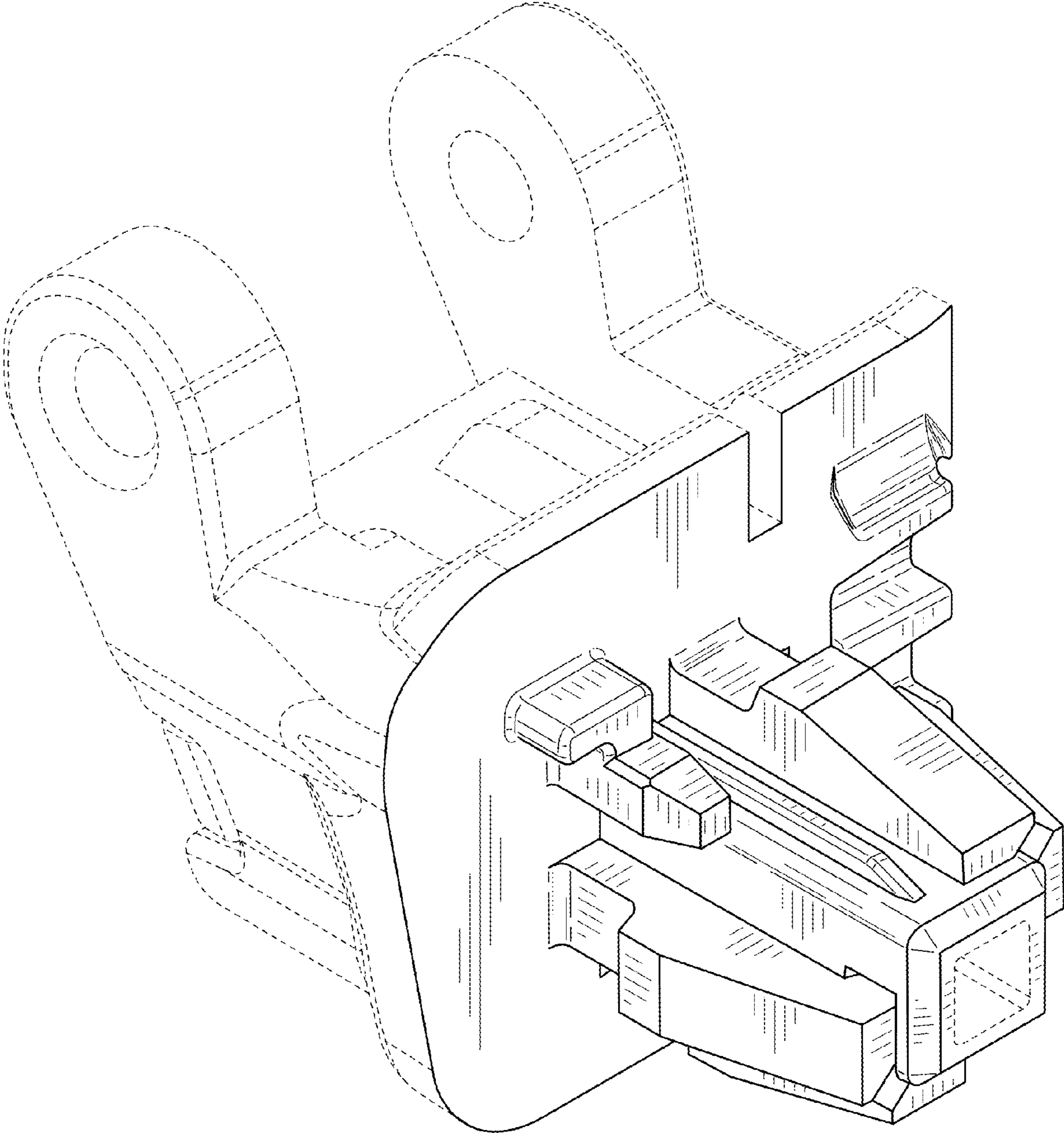


FIG. 1

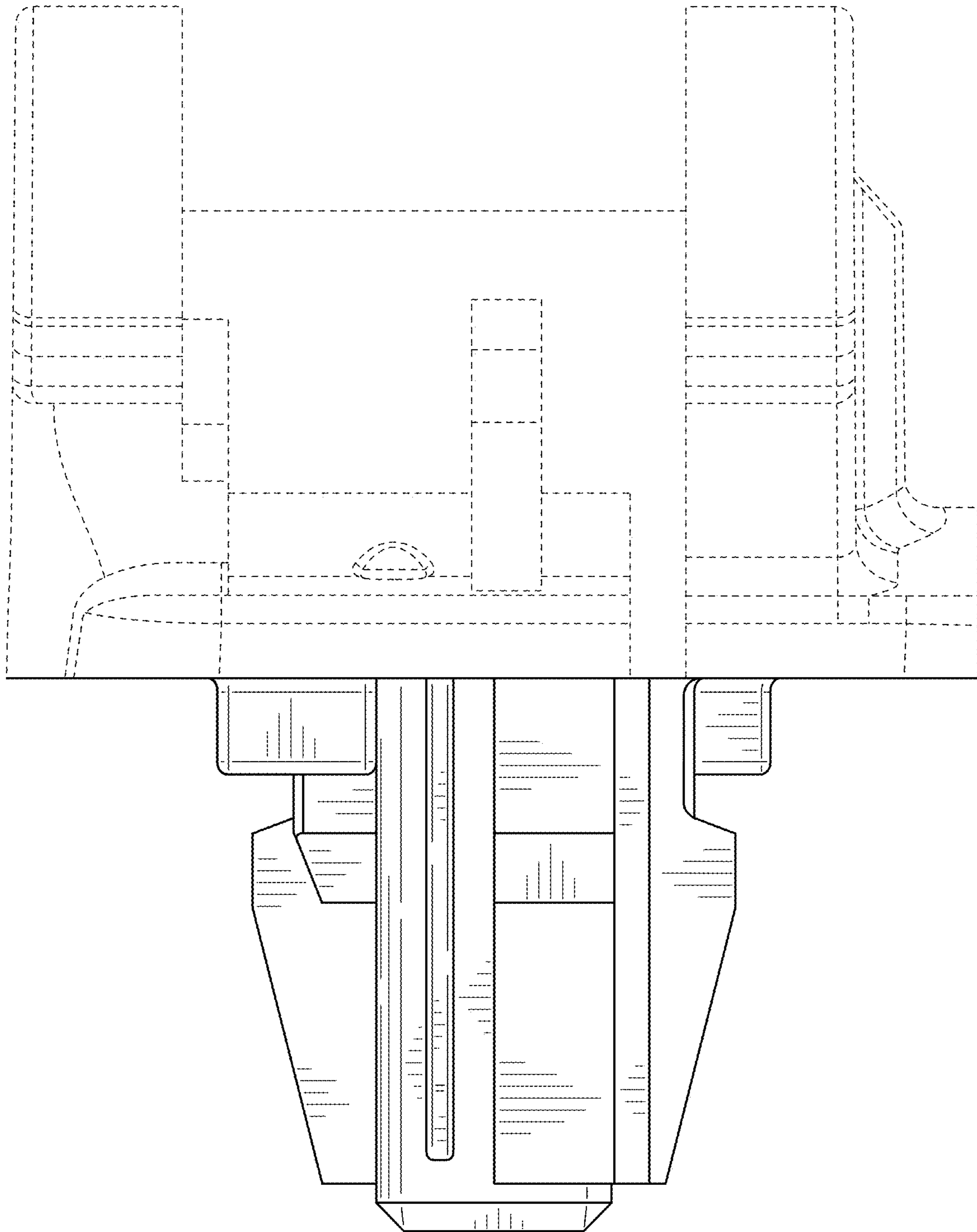


FIG. 2

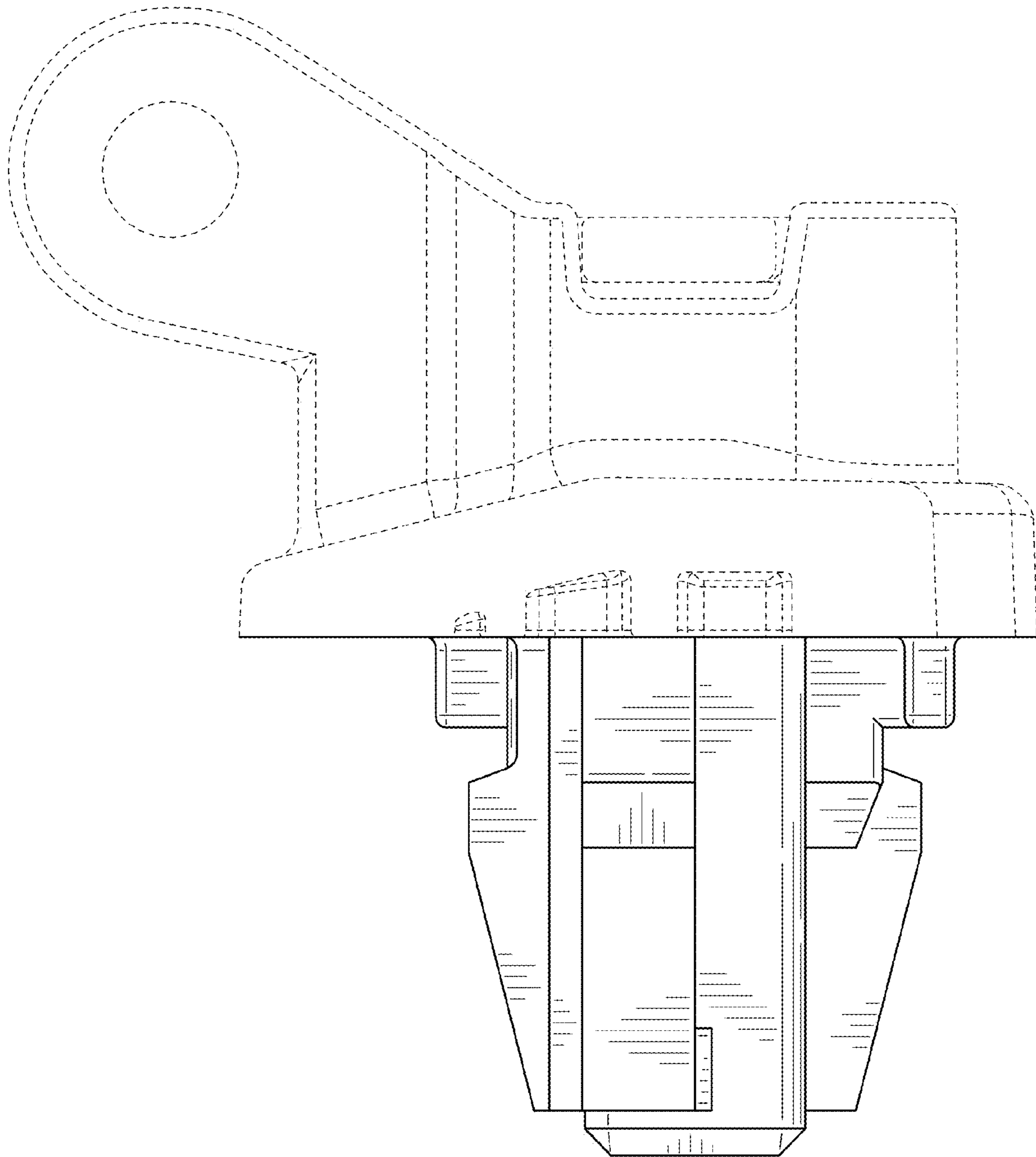


FIG. 3

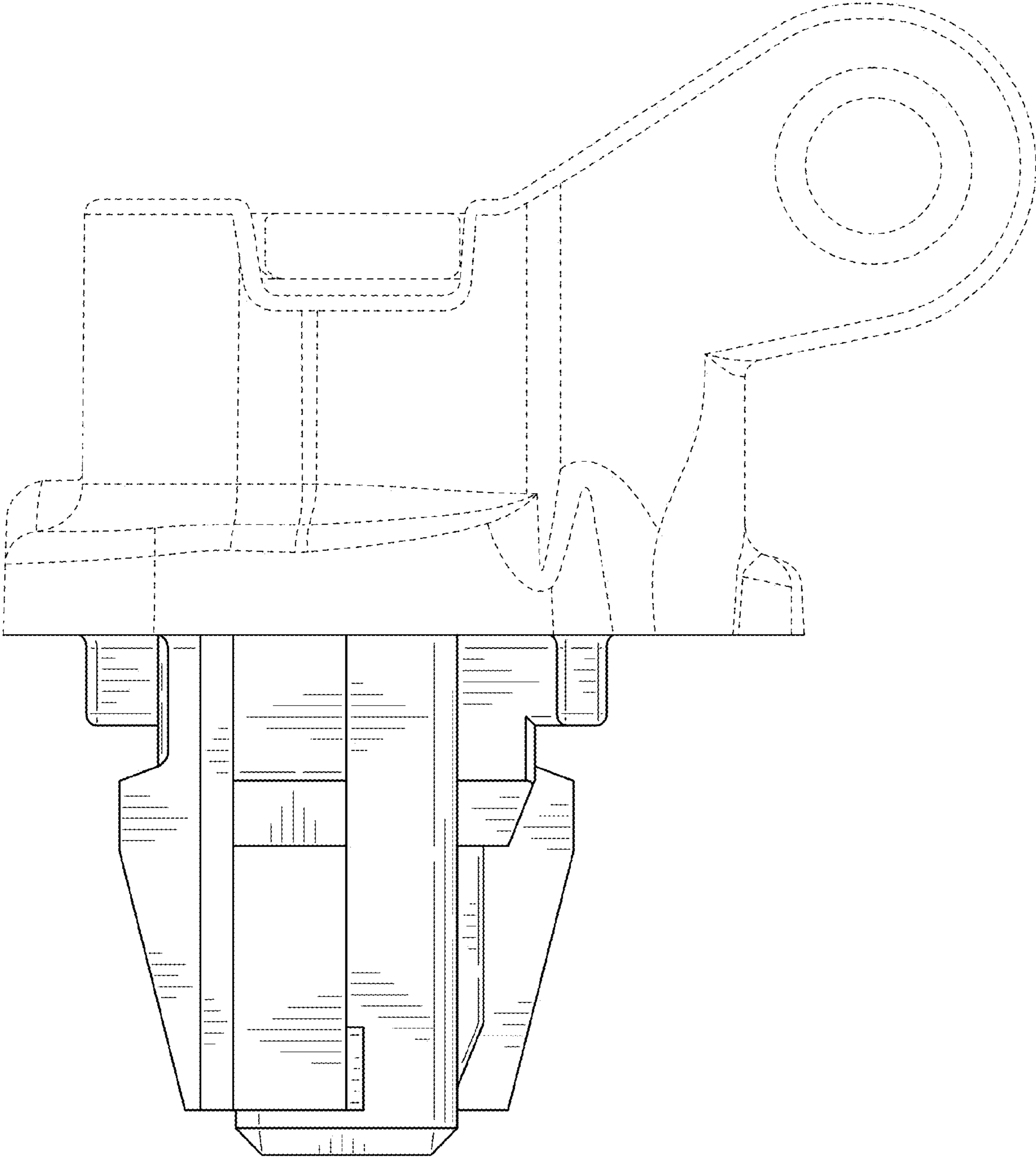


FIG. 4

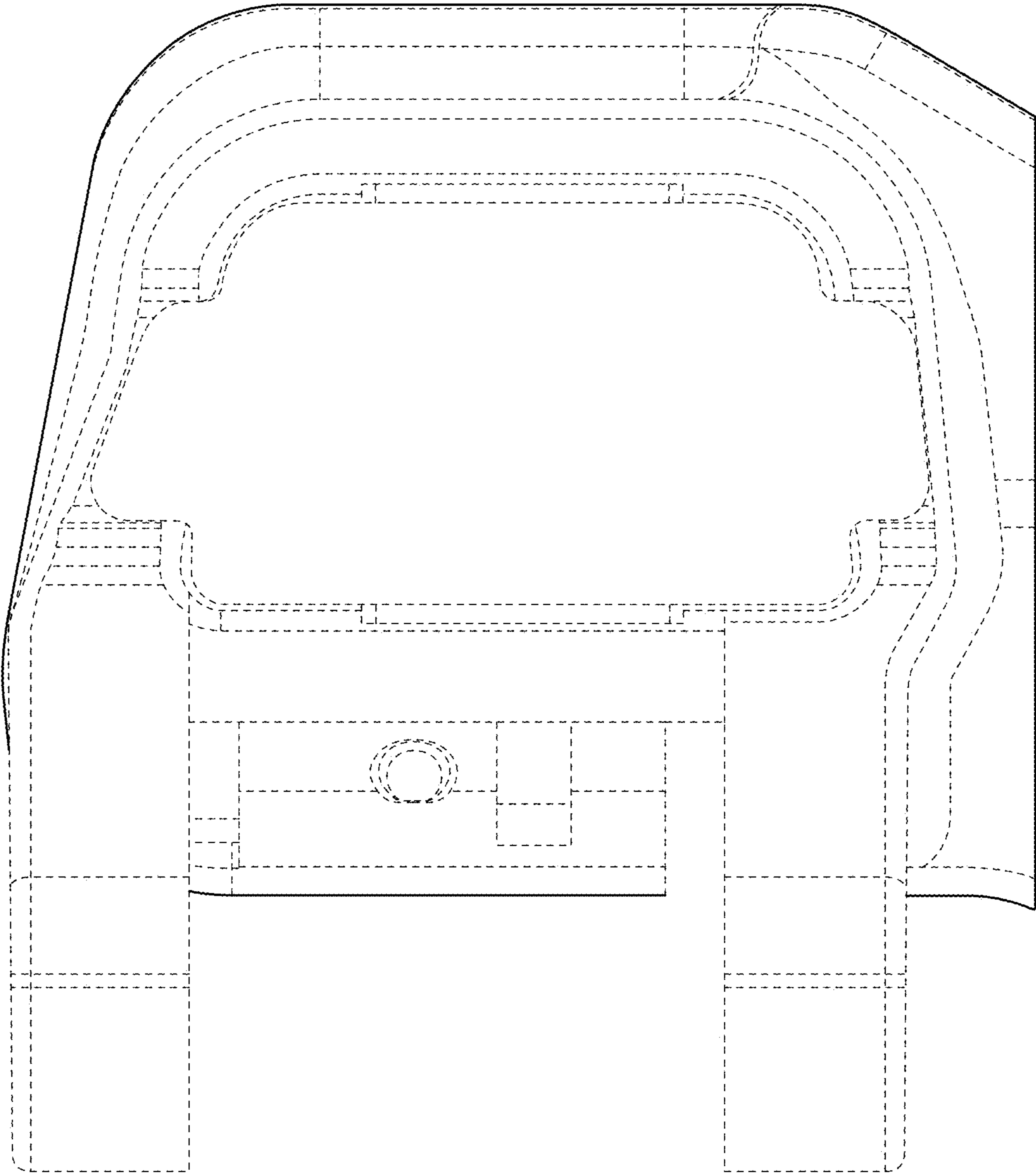


FIG. 5

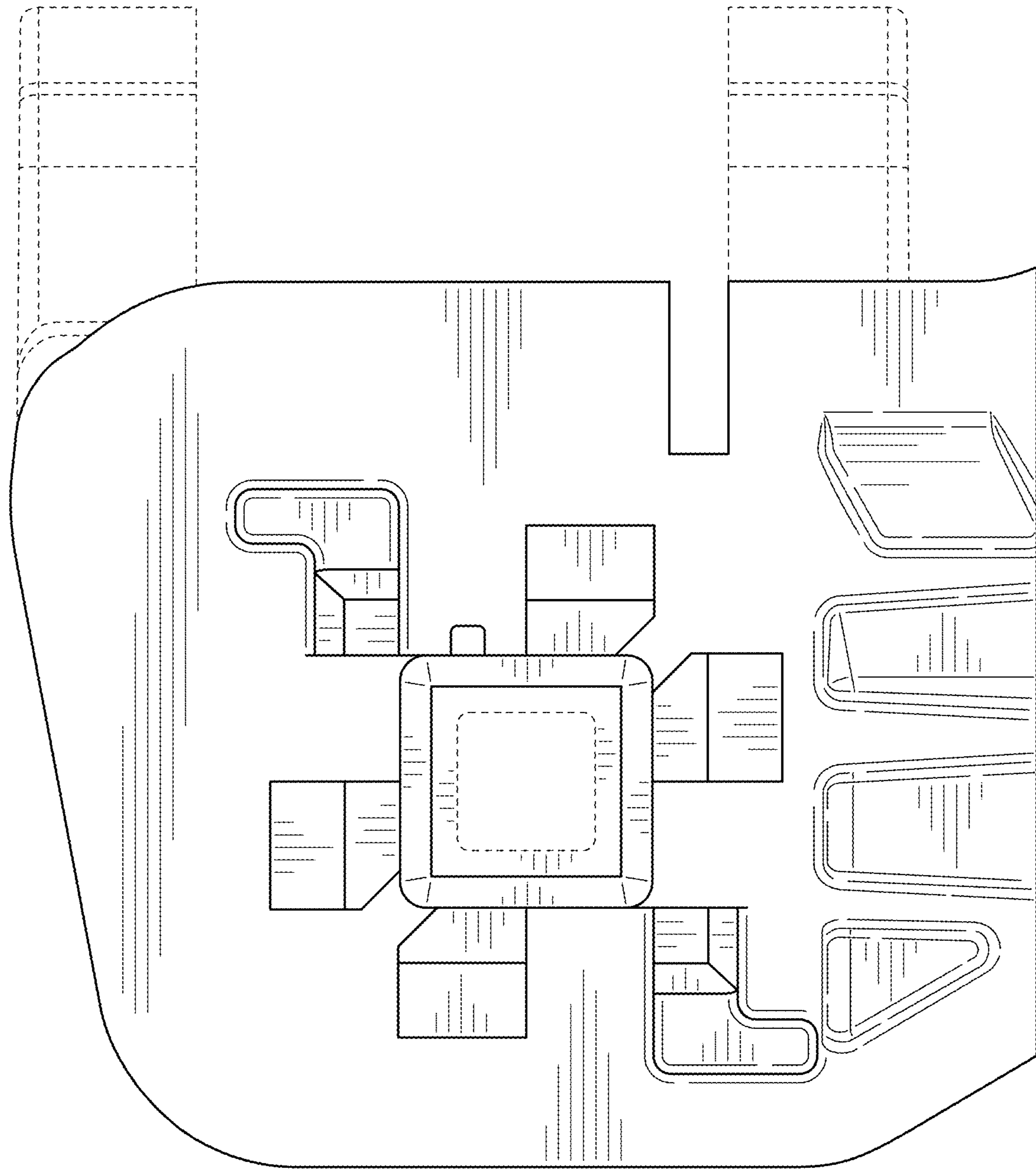


FIG. 6