



US00D880991S

(12) **United States Design Patent** (10) **Patent No.:** **US D880,991 S**
Netke et al. (45) **Date of Patent:** **** Apr. 14, 2020**

(54) **MOUNTING DEVICE**

(71) Applicant: **ILLINOIS TOOL WORKS INC.**,
Glenview, IL (US)
(72) Inventors: **Nagesh Netke**, Pune (IN); **Ravindra Desai**, Pune (IN)
(73) Assignee: **Illinois Tool Works Inc.**, Glenview, IL (US)
(**) Term: **15 Years**
(21) Appl. No.: **29/665,738**
(22) Filed: **Oct. 5, 2018**

(30) **Foreign Application Priority Data**

Apr. 5, 2018 (IN) 304405
Apr. 5, 2018 (IN) 304406
Apr. 5, 2018 (IN) 304407
Apr. 5, 2018 (IN) 304408
Apr. 5, 2018 (IN) 304409
Apr. 5, 2018 (IN) 304411
Apr. 5, 2018 (IN) 304412
Apr. 5, 2018 (IN) 304413
Apr. 5, 2018 (IN) 304414

(51) **LOC (12) Cl.** **08-08**

(52) **U.S. Cl.**
USPC **D8/382**

(58) **Field of Classification Search**
USPC D8/349, 354, 382, 394, 395, 388;
D12/400, 192, 221, 223
CPC B60R 13/0206; B60R 13/0212; F16B
5/0621; F16B 5/065; F16B 5/0657; F16B
37/043; F16B 21/06; F16B 21/08; F16B
21/086; F16B 2200/00; F16B 2200/50;
F16B 2200/503; Y10T 24/44026; Y10T
24/30; Y10T 24/309; Y10T 24/45099
See application file for complete search history.

(56) **References Cited**

U.S. PATENT DOCUMENTS

2,984,698 A * 5/1961 Strauss H01B 17/58
174/138 R
4,070,945 A * 1/1978 Kurosaki F16B 37/043
411/182
D270,516 S * 9/1983 Achille D8/354
D305,099 S * 12/1989 Naruse D8/396
4,971,500 A * 11/1990 Benoit F16B 21/086
411/182
5,093,976 A * 3/1992 Malinow F16B 5/025
29/451
D355,349 S * 2/1995 Taparuskas, Jr. D8/349
D467,792 S * 12/2002 Zadak A47F 5/0823
D8/354

(Continued)

Primary Examiner — Lilyana Bekic
Assistant Examiner — Ieisha N Price
(74) *Attorney, Agent, or Firm* — Quarles & Brady LLP

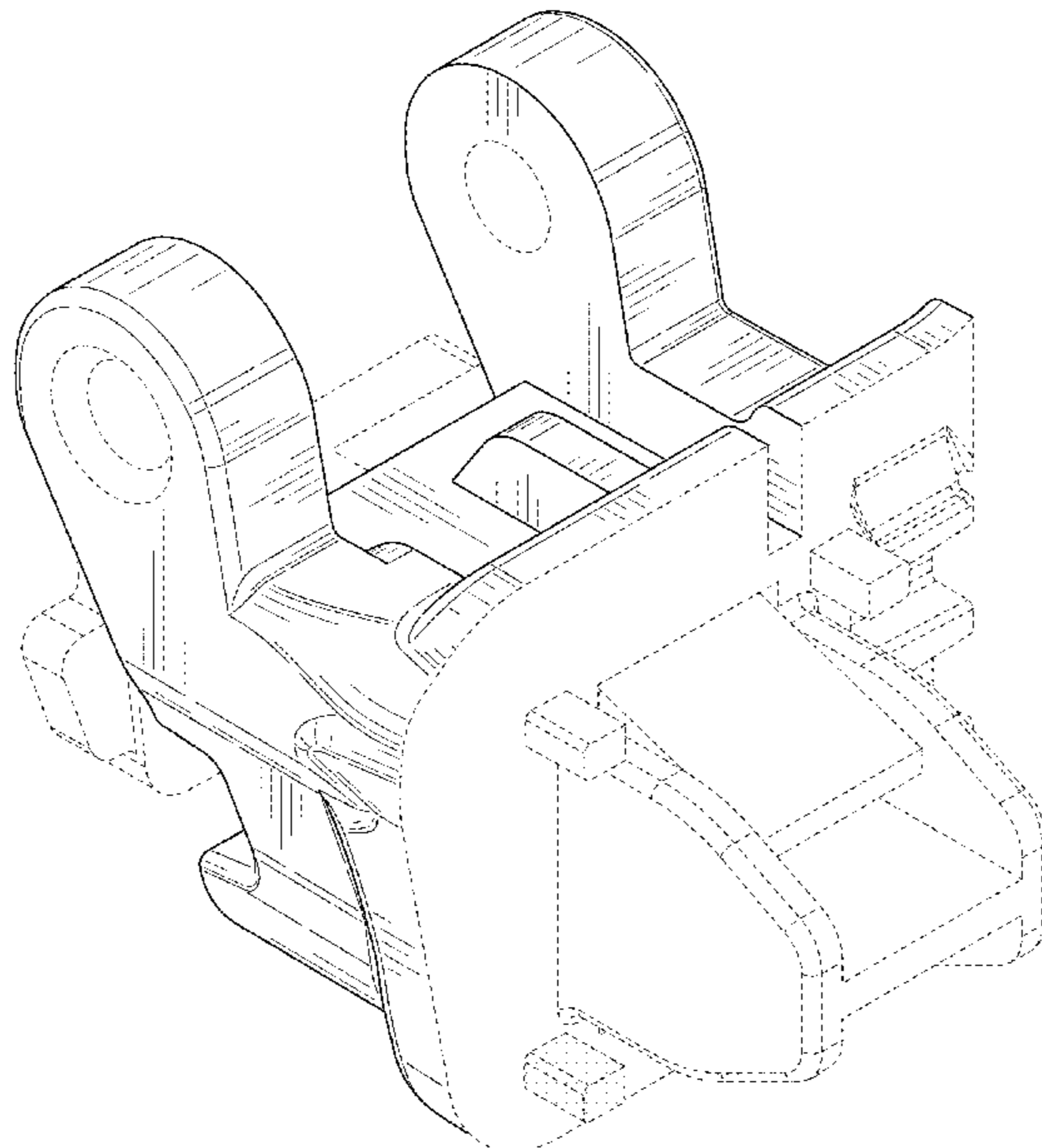
(57) **CLAIM**

The ornamental design for a mounting device, as shown and described.

DESCRIPTION

FIG. 1 is an isometric view of a front and left side of an ornamental design for a mounting device;
FIG. 2 is a front elevational view of the mounting device of FIG. 1;
FIG. 3 is a right side elevational view of the mounting device of FIG. 1;
FIG. 4 is a left side elevational view of the mounting device of FIG. 1;
FIG. 5 is a top plan view of the mounting device of FIG. 1; and,
FIG. 6 is a bottom plan view of the mounting device of FIG. 1.
The broken lines in the drawings illustrate portions of the mounting device and form no part of the claimed design.

1 Claim, 6 Drawing Sheets



(56)

References Cited

U.S. PATENT DOCUMENTS

D484,779 S *	1/2004	Shibuya	D8/382	2009/0199371 A1*	8/2009	Katoh	F16B 5/0628 24/458
D547,269 S *	7/2007	Sugita	D13/133	2009/0249587 A1*	10/2009	Donahue-Yan	B60R 13/0206 24/297
D570,202 S *	6/2008	Katoh	D8/382	2011/0197405 A1*	8/2011	Kato	F16B 21/065 24/530
D577,284 S *	9/2008	Katoh	D8/382	2014/0204218 A1*	7/2014	Gebhard	F21V 21/30 348/164
D601,881 S *	10/2009	Aichmann	D8/382	2015/0183356 A1*	7/2015	Aoyama	B60N 3/023 248/220.31
D641,609 S *	7/2011	Yagame	D8/354	2015/0211555 A1*	7/2015	Yamamoto	B60R 13/0206 24/289
D644,915 S *	9/2011	Chen	D8/354	2015/0283884 A1*	10/2015	Machida	B60J 3/023 296/97.9
D649,512 S *	11/2011	Shimoji	D13/133	2015/0337882 A1*	11/2015	Iwahara	F16B 5/0657 24/489
D658,974 S *	5/2012	Komono	D8/356	2016/0280173 A1*	9/2016	Yamamoto	B60R 21/20
D696,106 S *	12/2013	Tachibana	D8/395	2019/0136894 A1*	5/2019	Leidig	F16B 21/086
D715,136 S *	10/2014	Dale	D8/395				
D744,818 S *	12/2015	Matsuo	D8/382				
9,599,140 B2 *	3/2017	Diep	F16B 37/04				
D809,977 S *	2/2018	Smith	D12/159				
D841,590 S *	2/2019	Otsuka	D13/134				
2008/0141501 A1*	6/2008	Kuroda	F16B 21/086 24/297				

* cited by examiner

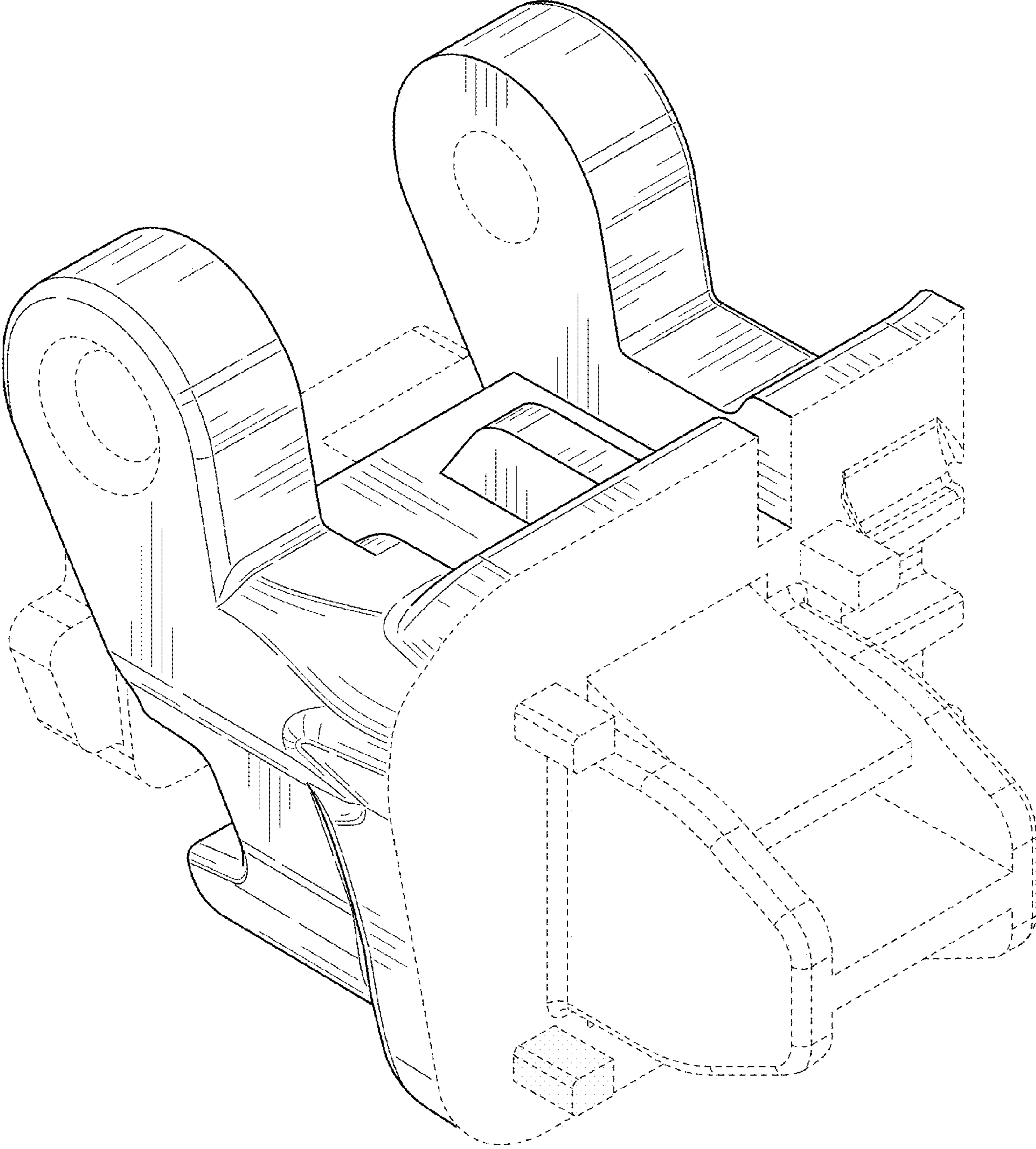


FIG. 1

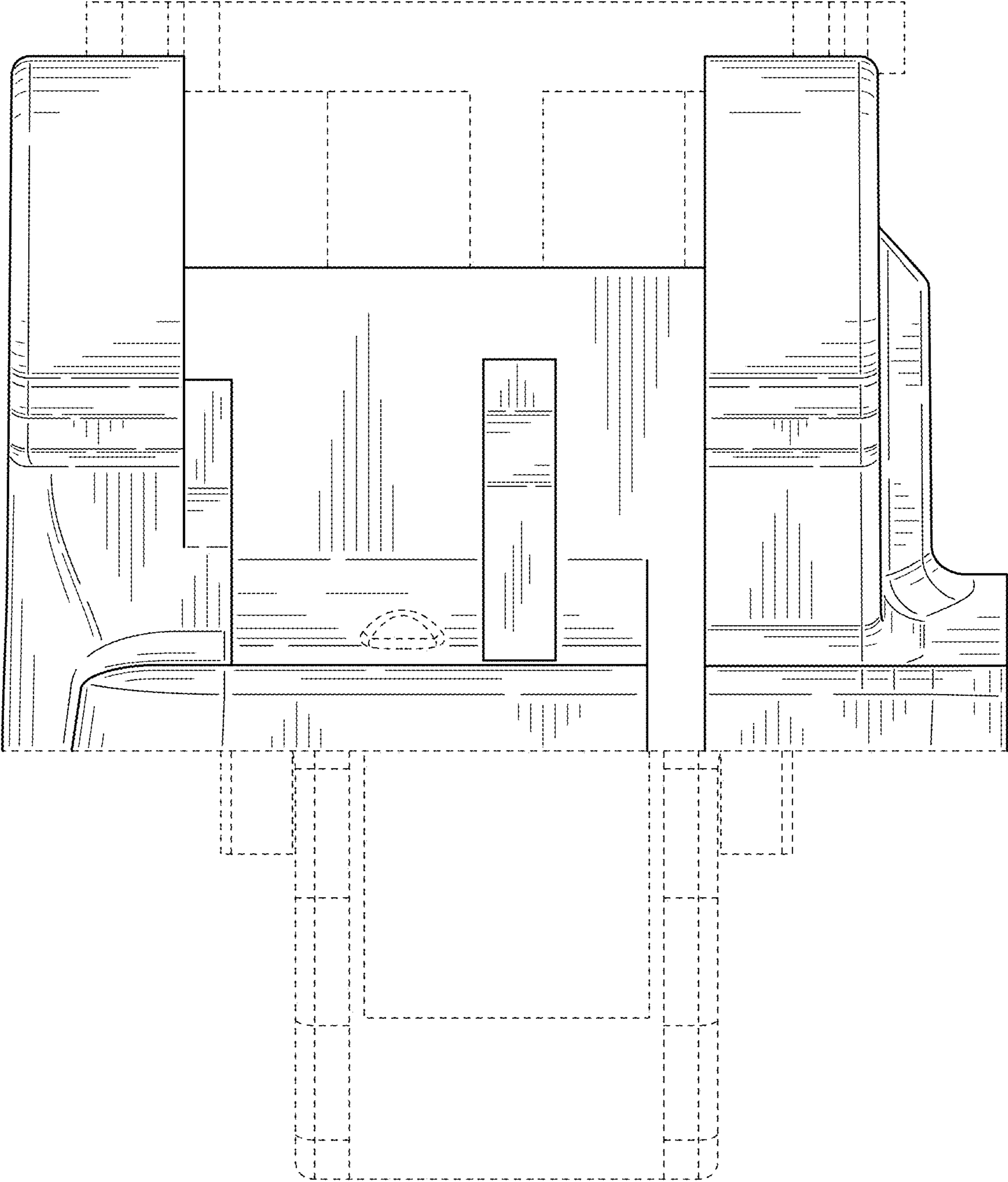


FIG. 2

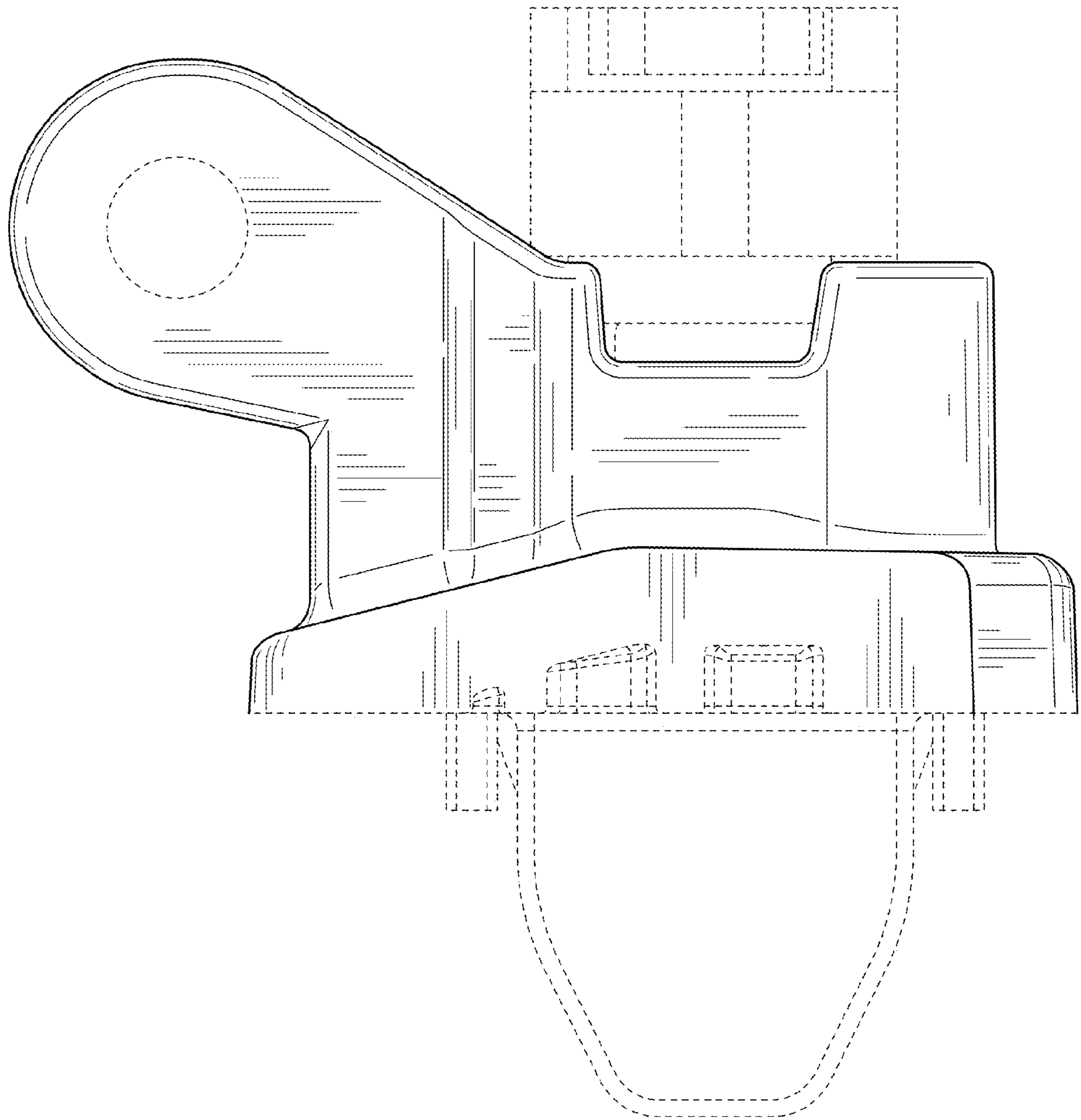


FIG. 3

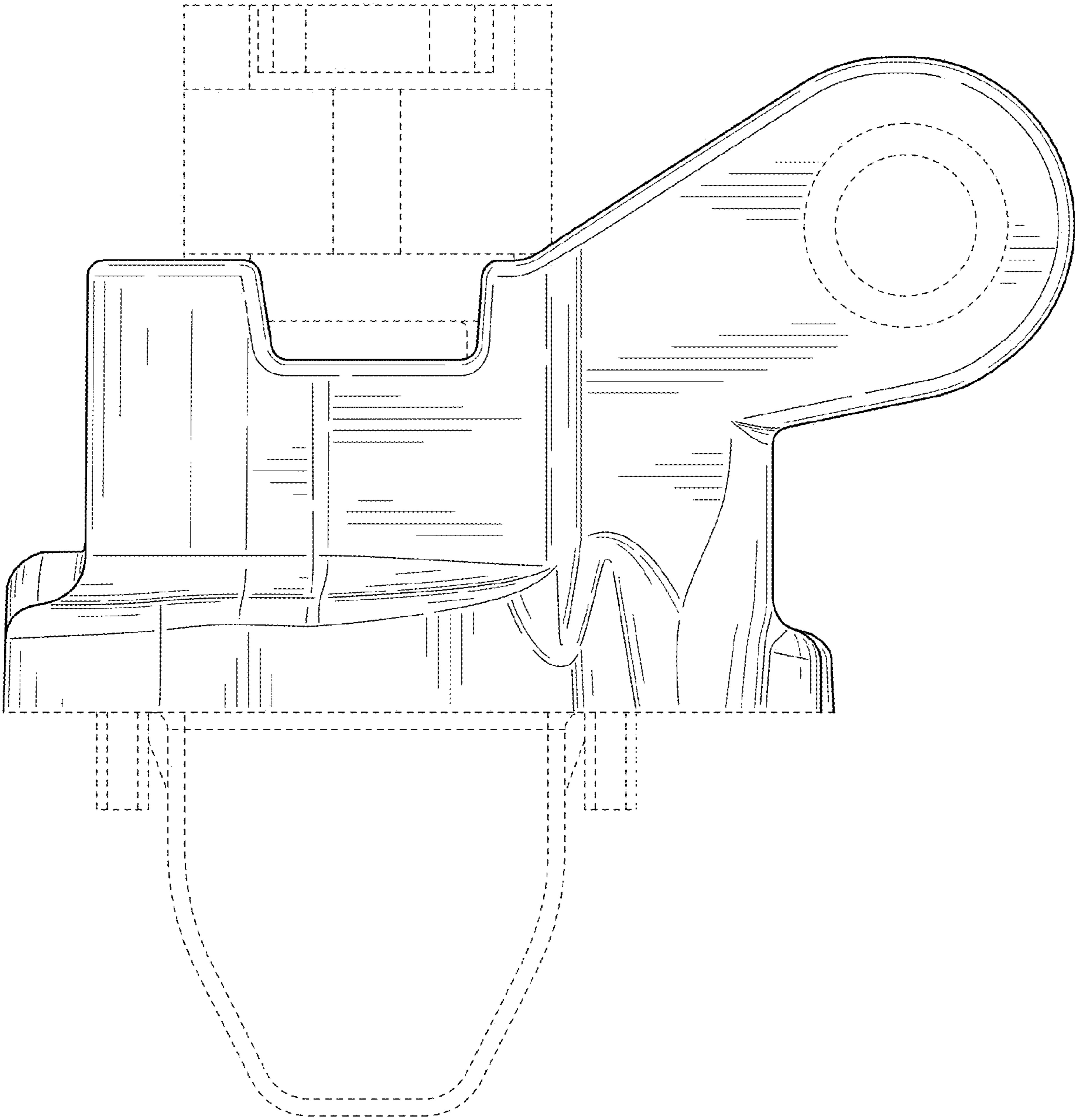


FIG. 4

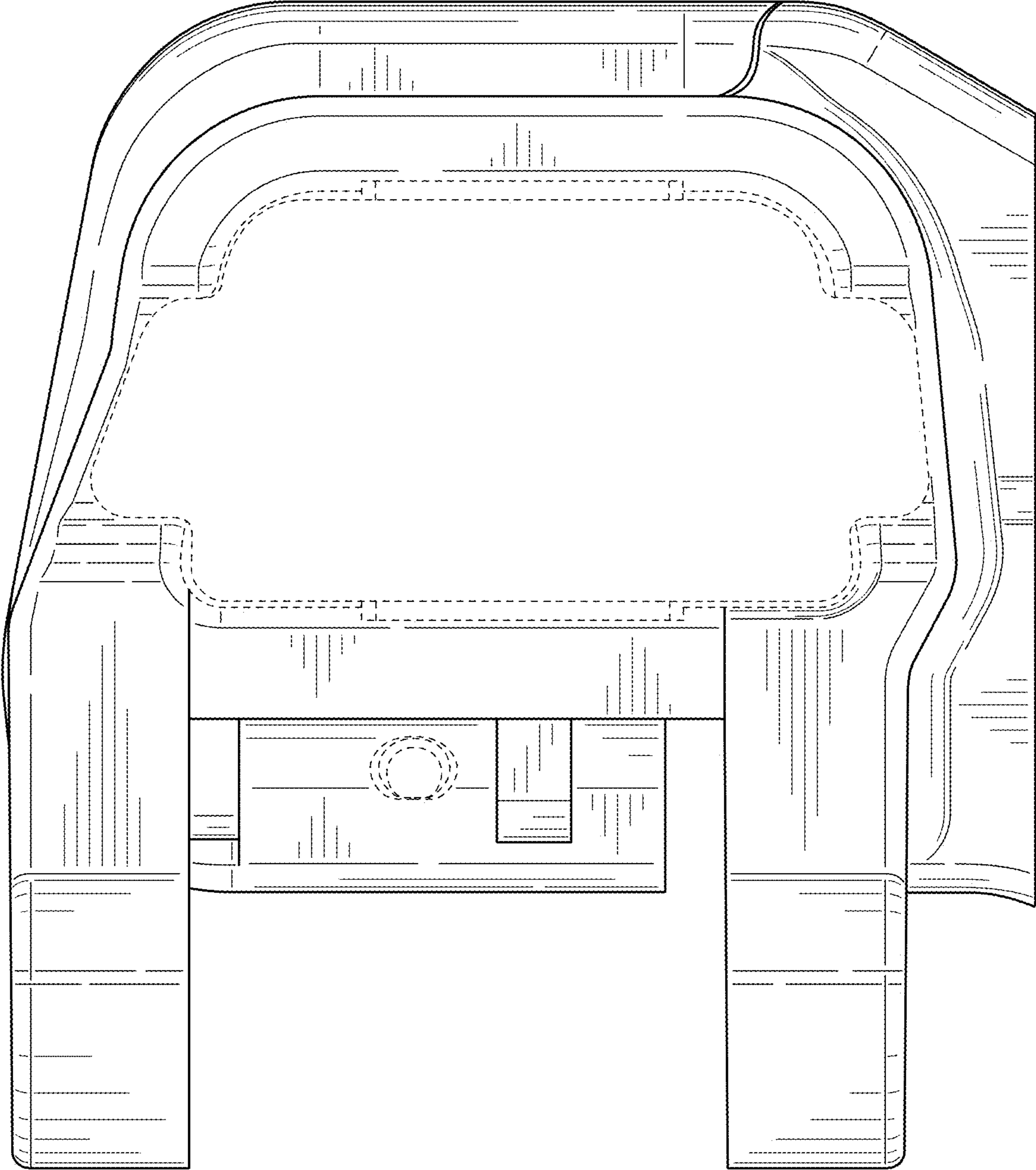


FIG. 5

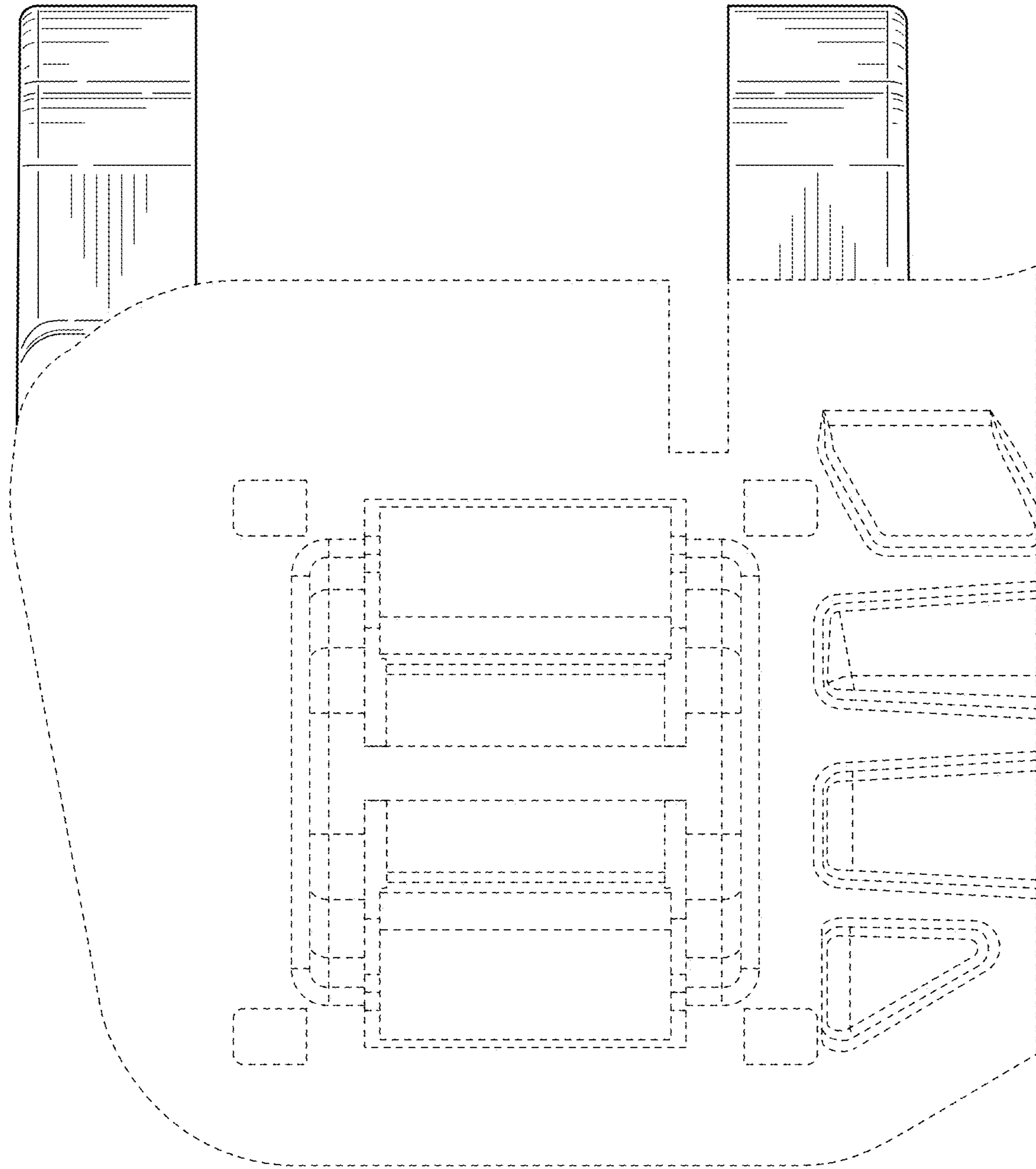


FIG. 6