



US00D880990S

(12) **United States Design Patent**
Liu

(10) **Patent No.:** **US D880,990 S**

(45) **Date of Patent:** **** Apr. 14, 2020**

(54) **HOOK**

(71) Applicant: **Jinzhen Liu**, Shenzhen (CN)

(72) Inventor: **Jinzhen Liu**, Shenzhen (CN)

(**) Term: **15 Years**

(21) Appl. No.: **29/715,171**

(22) Filed: **Nov. 27, 2019**

(51) **LOC (12) Cl.** **08-05**

(52) **U.S. Cl.**
USPC **D8/367**

(58) **Field of Classification Search**
USPC D8/367, 354, 349, 373; D6/323;
248/301-304, 339
CPC A47G 1/00; A47G 25/00
See application file for complete search history.

(56) **References Cited**

U.S. PATENT DOCUMENTS

1,560,029	A *	11/1925	Erickson	F16B 47/003 248/467
2,679,998	A *	6/1954	Keller	F16B 47/003 248/205.3
D346,950	S	5/1994	Dunn		
D359,441	S	6/1995	Miller		
D424,351	S *	5/2000	Hill	D6/546
6,081,975	A *	7/2000	Norrby	F16B 45/00 24/265 H
D436,517	S *	1/2001	Barry	D8/354
D449,977	S	11/2001	Dembowiak		
D473,454	S *	4/2003	Goodman	D8/370
D477,526	S *	7/2003	Goodman	D8/370
D480,625	S *	10/2003	Snell	D8/367
D531,487	S *	11/2006	Dretzka	D8/367
D590,577	S *	4/2009	Bruno	D2/853

D600,536	S *	9/2009	Hager	D8/367
D631,334	S *	1/2011	Goodman	D8/367
D642,897	S *	8/2011	Berkowitz	D8/367
D659,519	S *	5/2012	Berkowitz	D8/367
D664,835	S	8/2012	Wu		
D669,768	S *	10/2012	Tawil	D8/372
D766,759	S *	9/2016	Lenz	D10/74
D812,453	S *	3/2018	Berger	D8/367
D818,353	S *	5/2018	Sacks	D8/367
D818,804	S *	5/2018	Moore	D8/367
D832,685	S *	11/2018	Wei	D8/367
D842,083	S *	3/2019	Thompson	D8/367
D864,700	S *	10/2019	Chen	D8/367
D867,115	S	11/2019	Zhang		
2003/0189147	A1 *	10/2003	Immerman	A47G 1/17 248/304

* cited by examiner

Primary Examiner — Cynthia R Underwood

(57) **CLAIM**

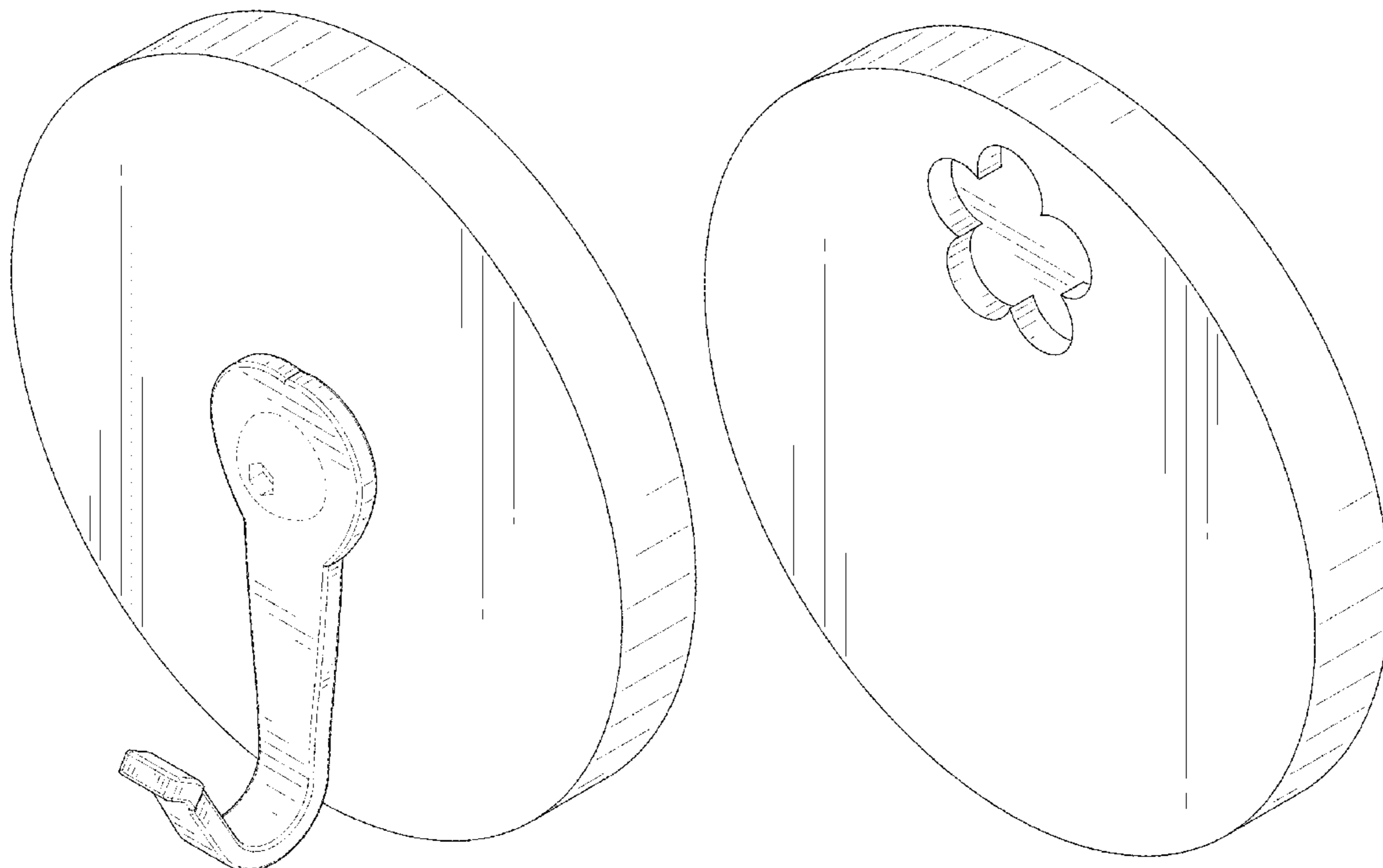
The ornamental design for a hook, as shown and described.

DESCRIPTION

FIG. 1 is a front perspective view of a hook showing my new design;
FIG. 2 is a rear perspective view thereof;
FIG. 3 is a front elevational view thereof;
FIG. 4 is a rear elevational view thereof;
FIG. 5 is a left side elevational view thereof;
FIG. 6 is a right side elevational view thereof;
FIG. 7 is a top plan view thereof;
FIG. 8 is a bottom plan view thereof; and,
FIG. 9 is a plan view of the hook in a second state for clarity of disclosure.

The broken lines in the drawings depict portions of the hook that form no part of the claimed design.

1 Claim, 9 Drawing Sheets



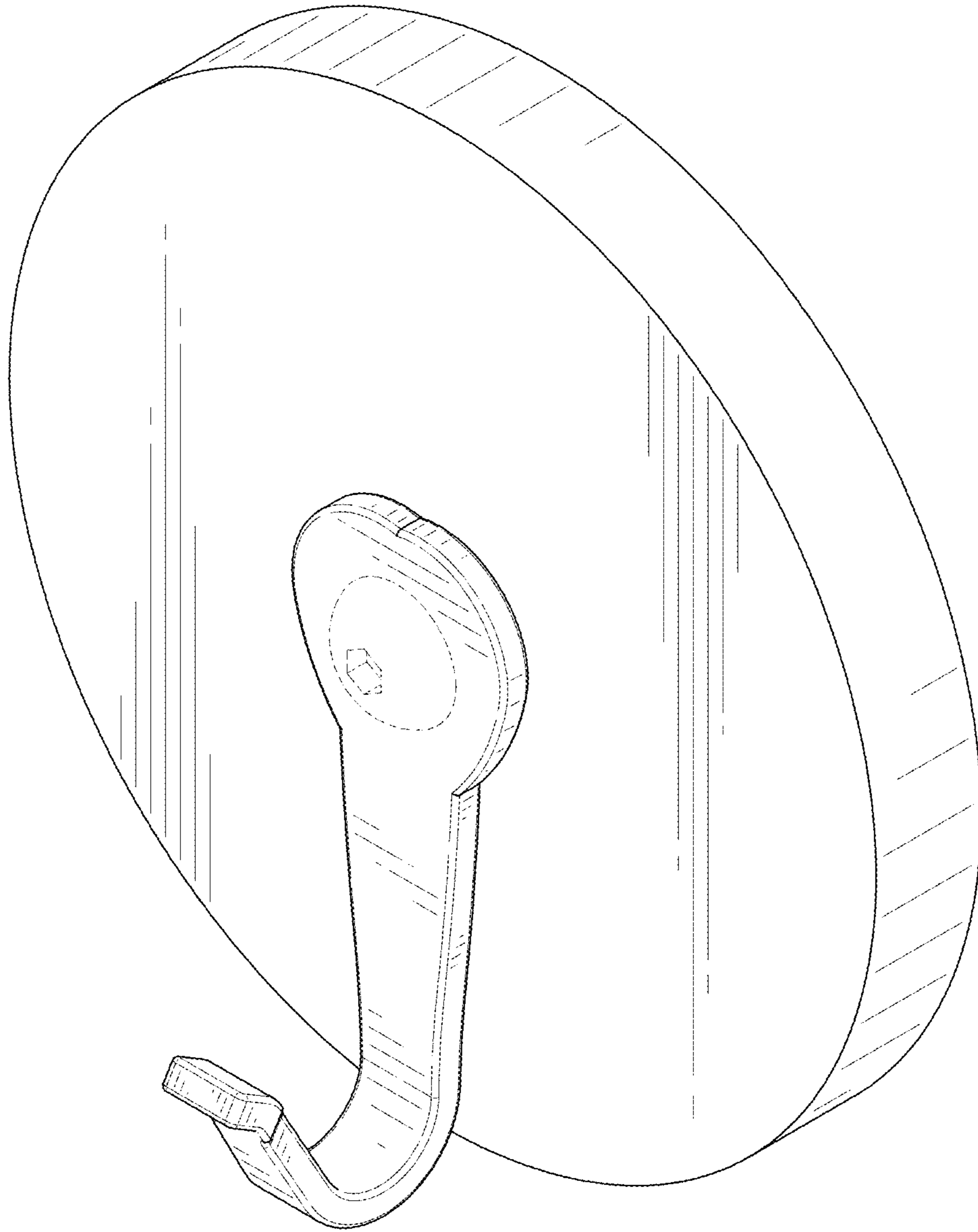


FIG. 1

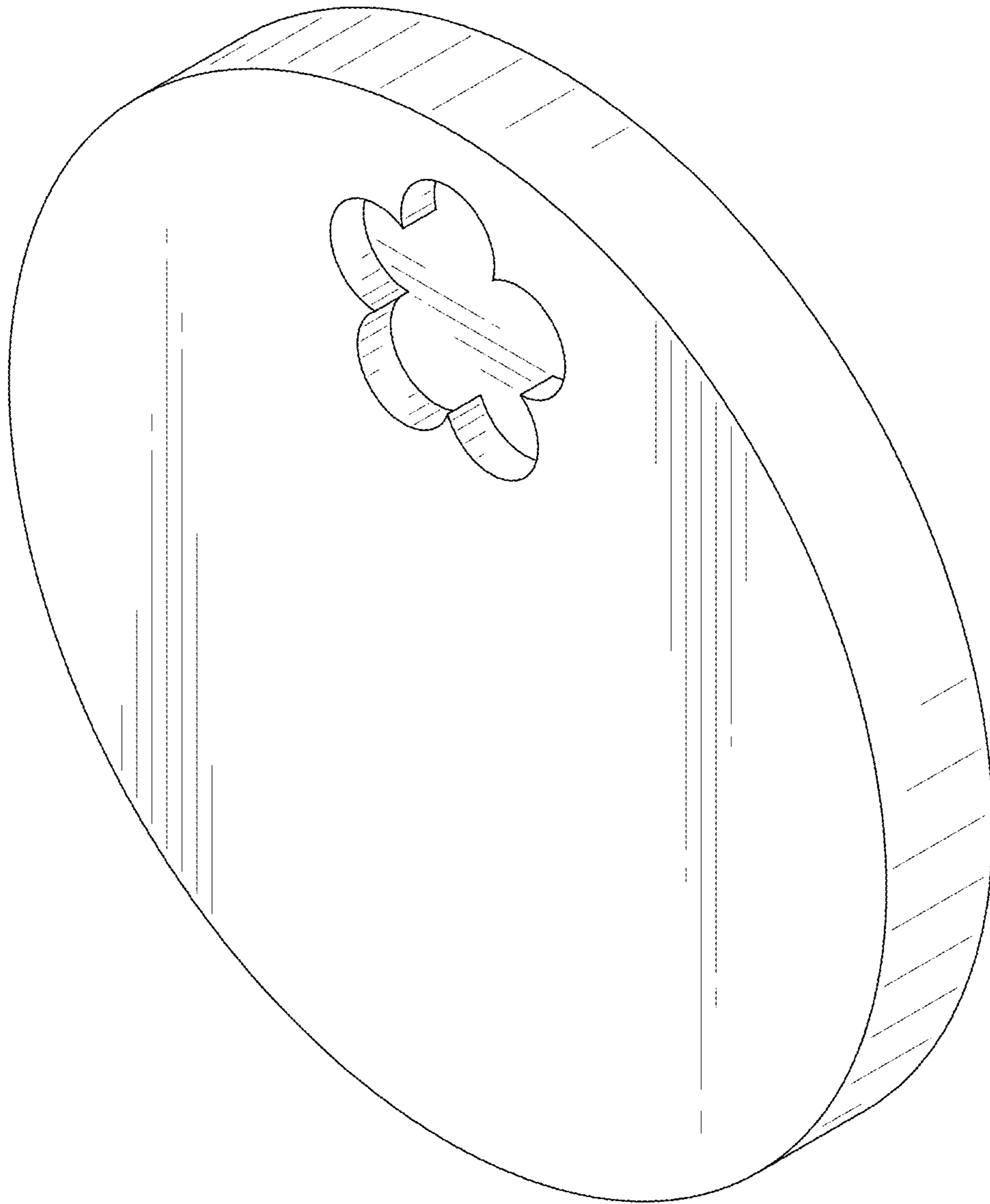


FIG. 2

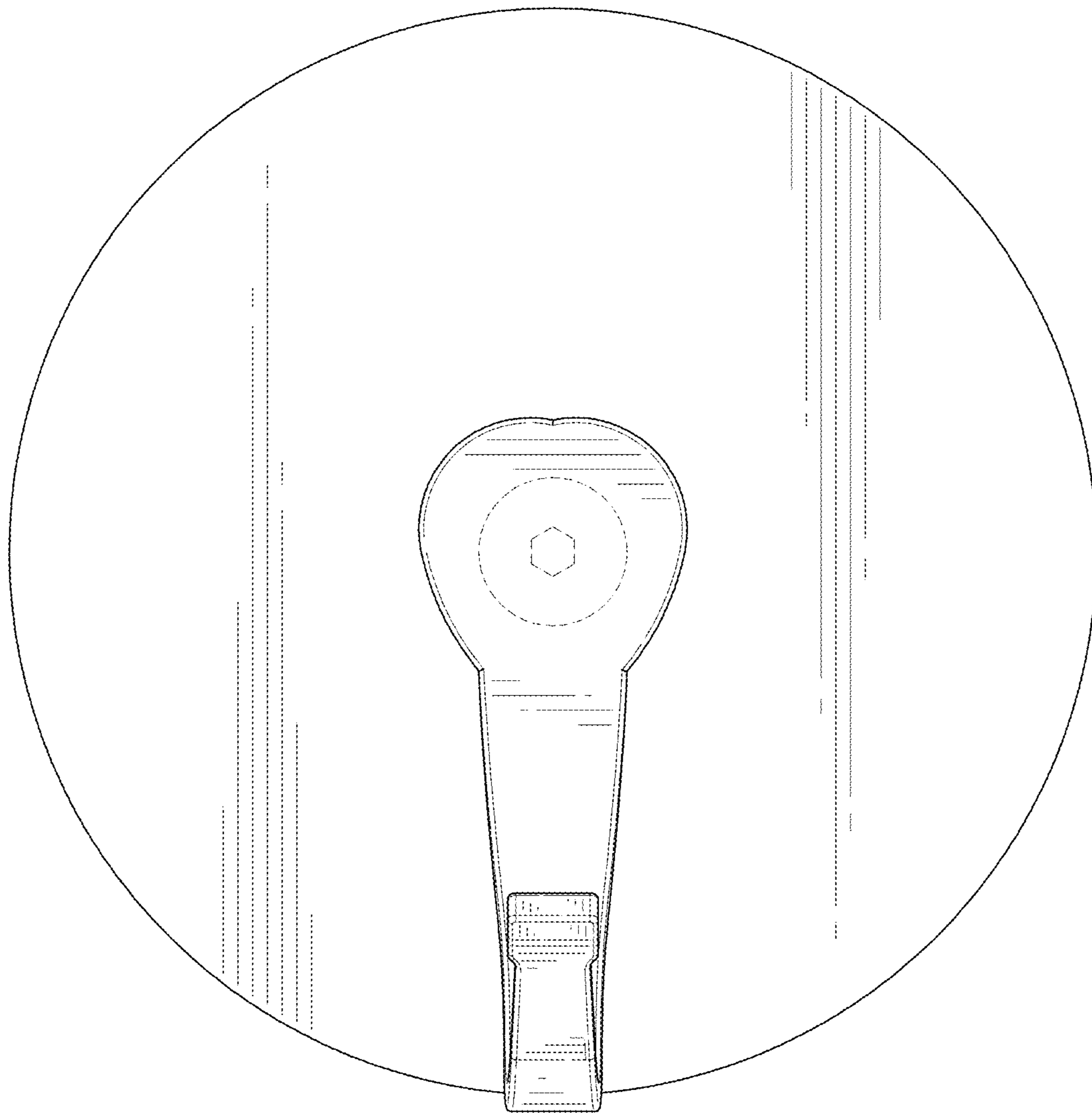


FIG. 3

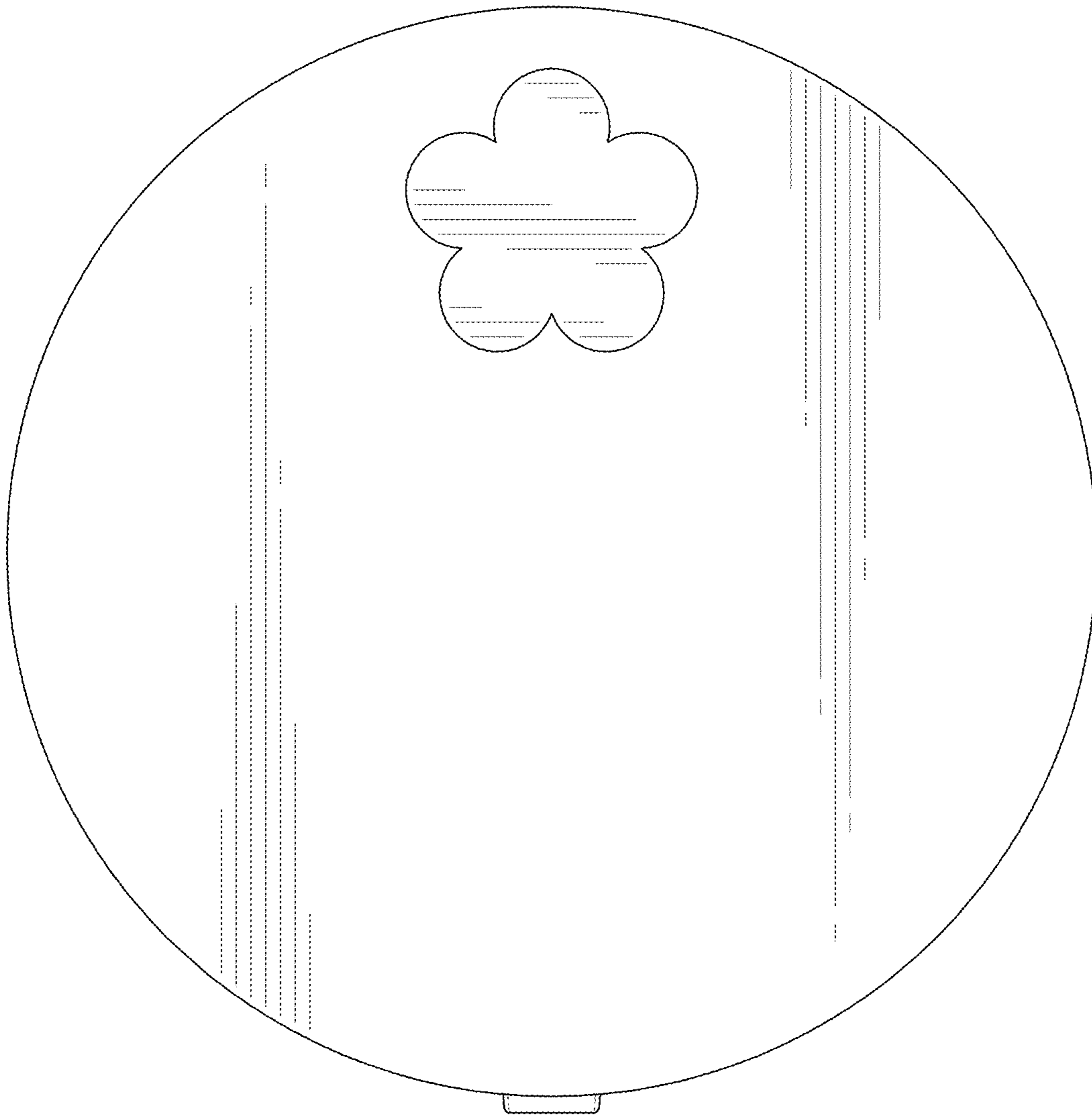


FIG. 4

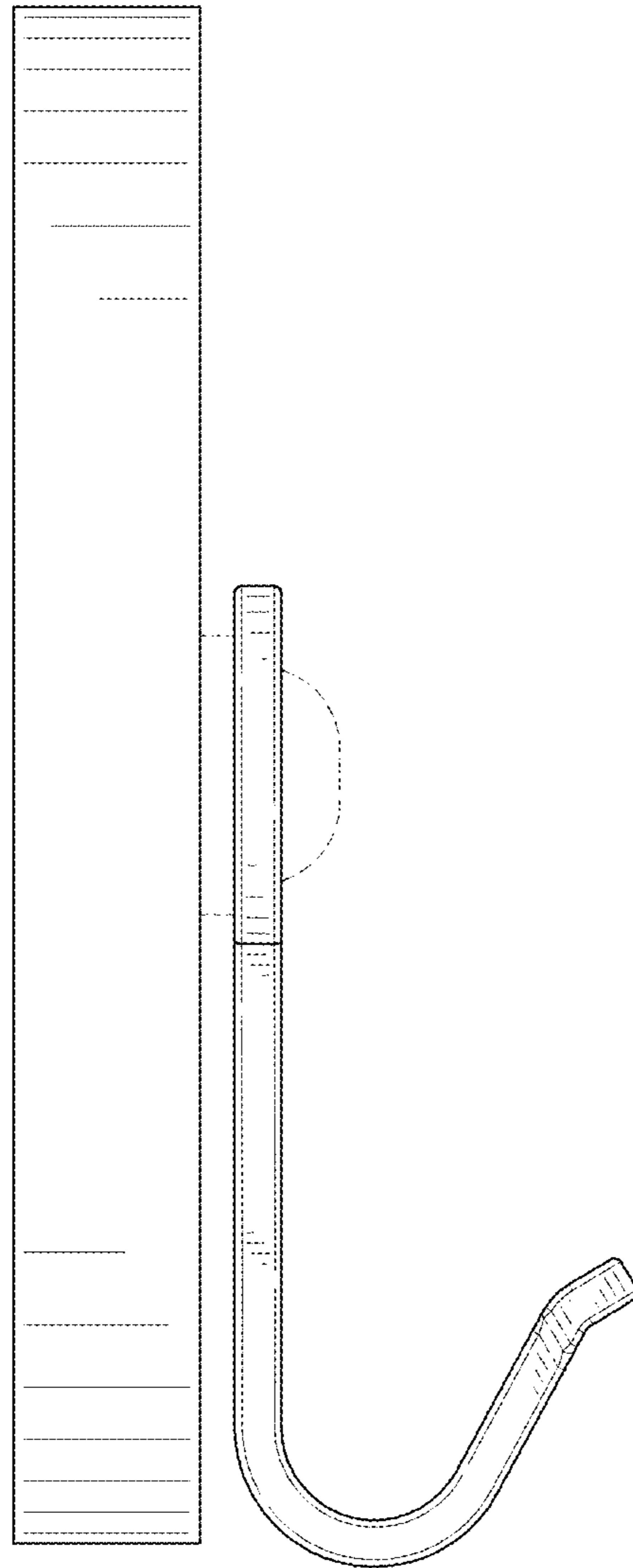


FIG. 5

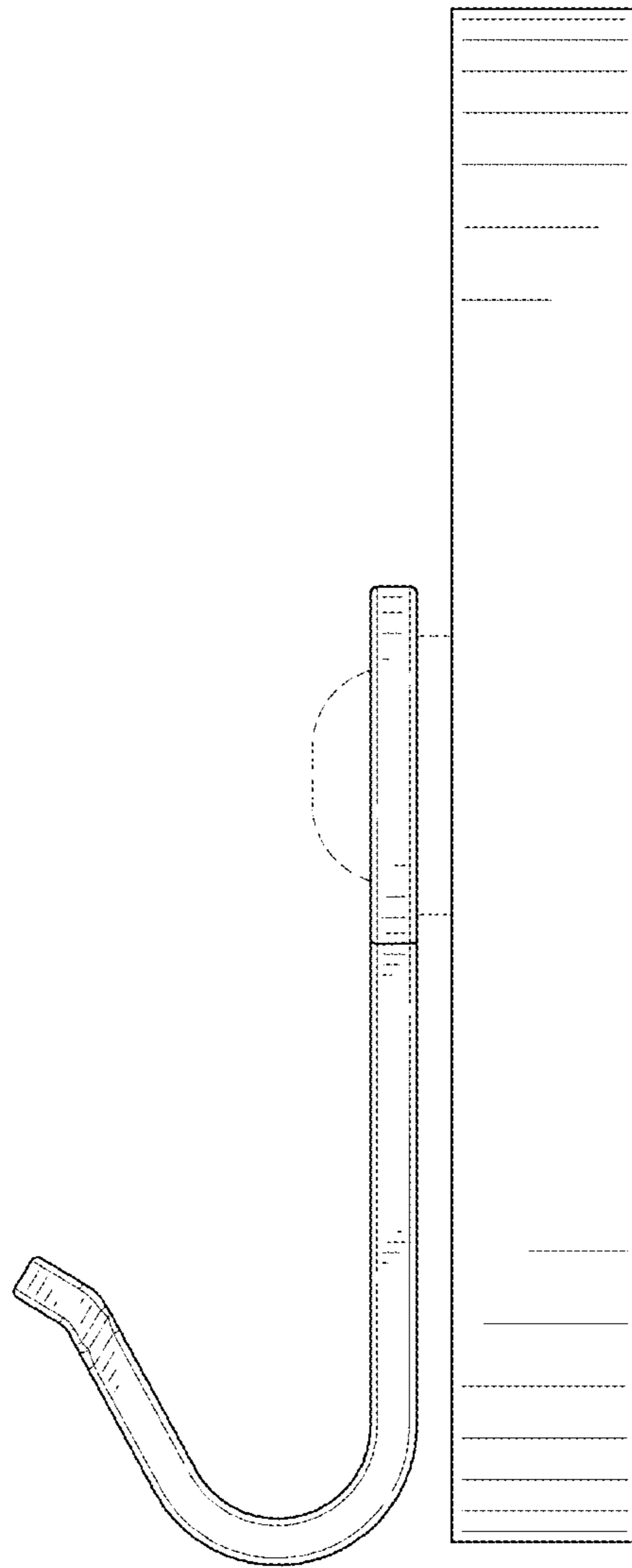


FIG. 6

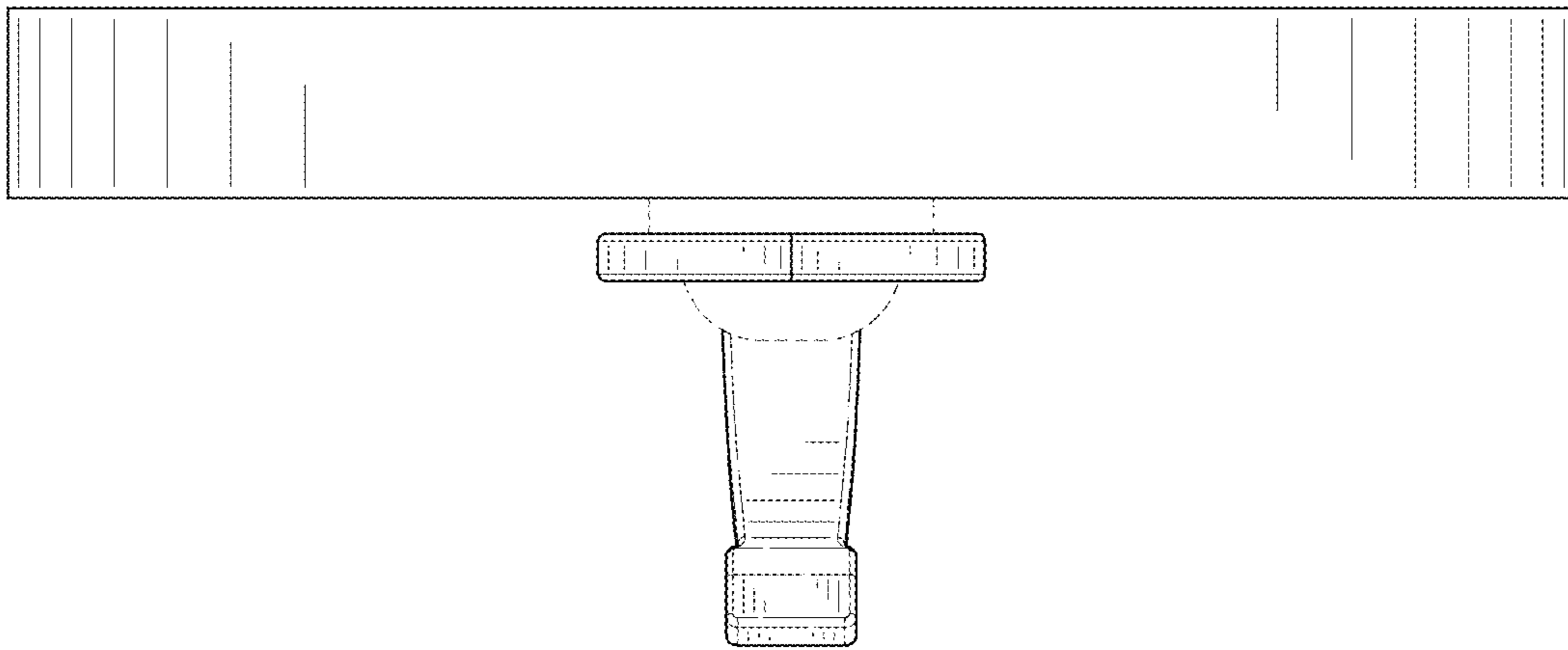


FIG. 7

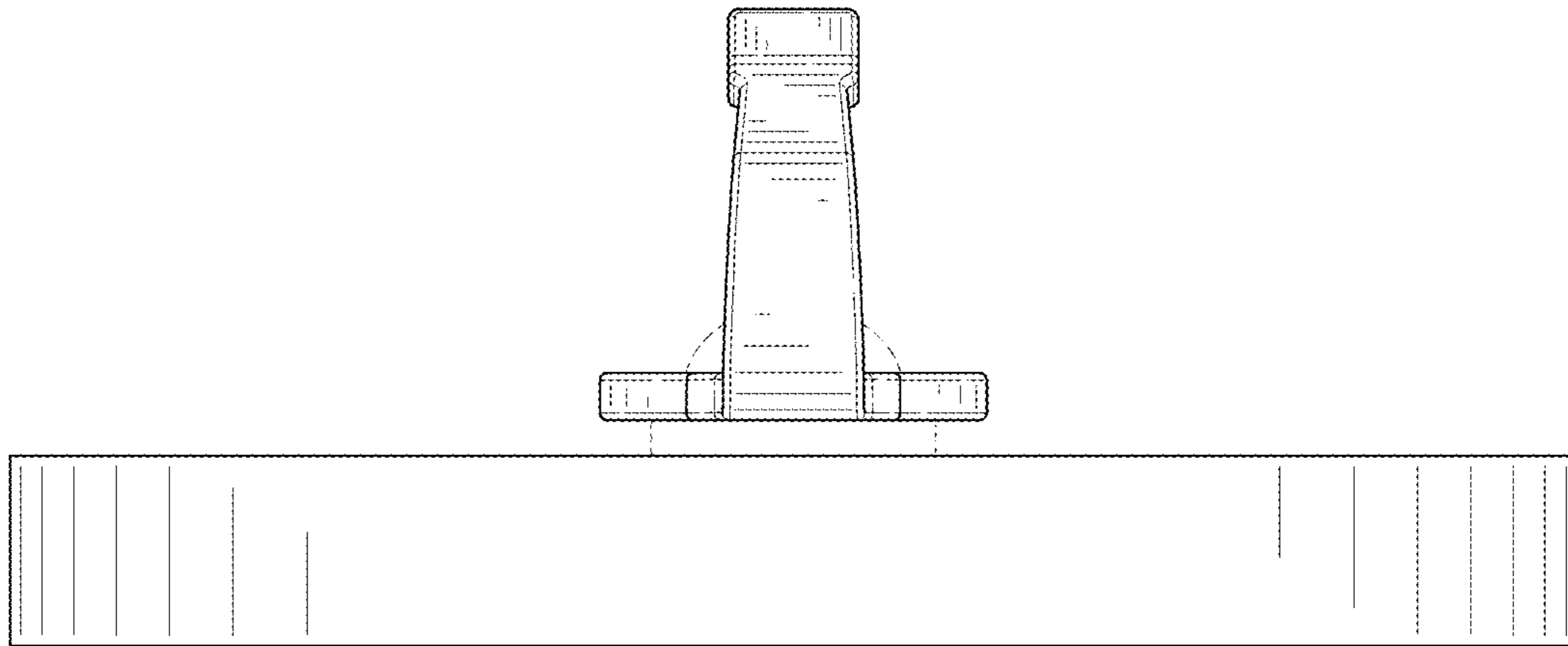


FIG. 8

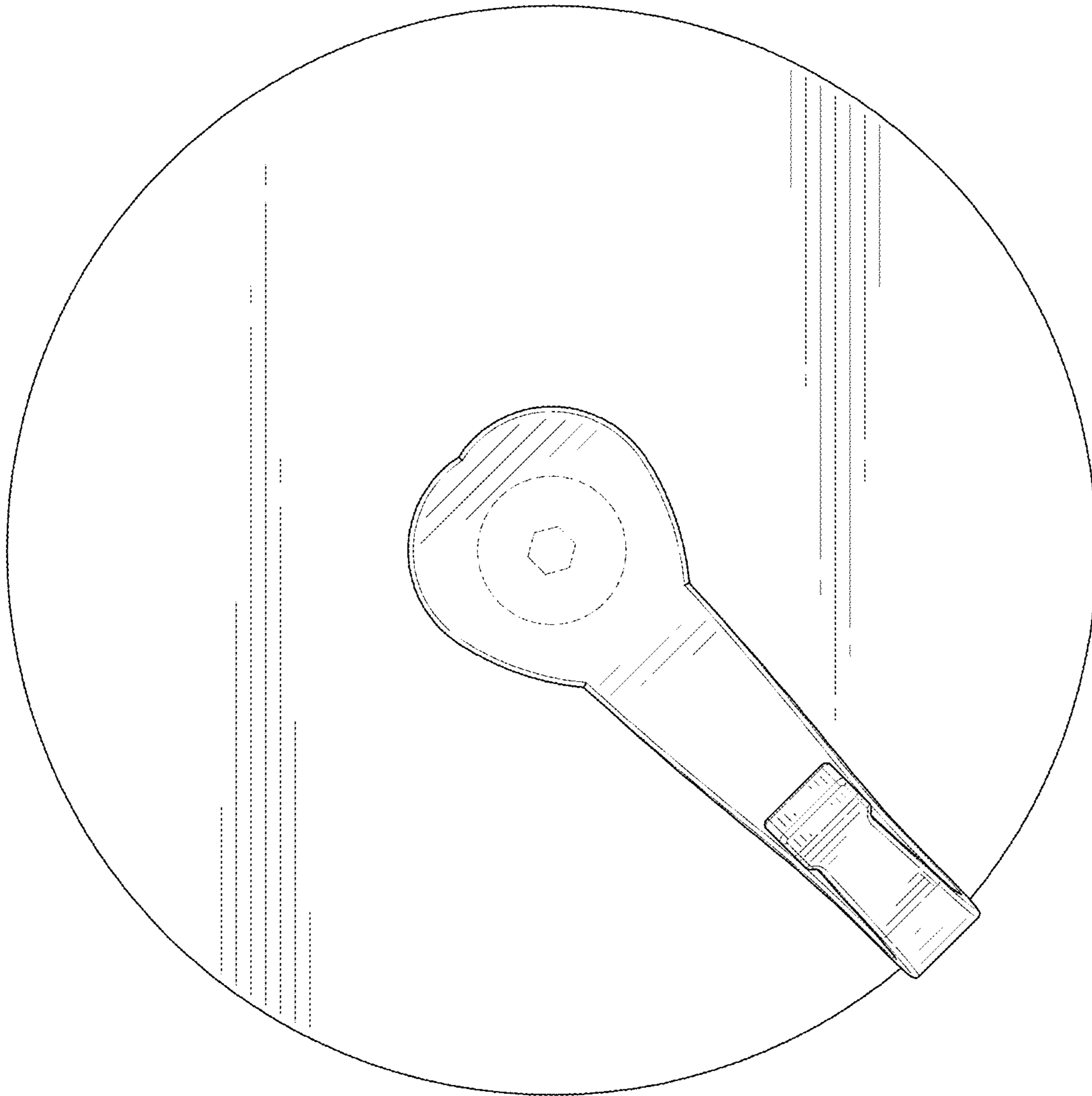


FIG. 9