



US00D880987S

(12) **United States Design Patent**
Lee et al.

(10) **Patent No.:** **US D880,987 S**
(45) **Date of Patent:** **** Apr. 14, 2020**

(54) **HEIGHT ADJUSTABLE PEDESTAL**

(71) Applicant: **Elmich Pte Ltd**, Singapore (SG)

(72) Inventors: **Alan Sian Ghee Lee**, Singapore (SG);
Henry Greaves, Watsons Bay (AU)

(73) Assignee: **ELMICH PTE LTD.**, Singapore (SG)

(**) Term: **15 Years**

(21) Appl. No.: **29/672,433**

(22) Filed: **Dec. 5, 2018**

(30) **Foreign Application Priority Data**

Jun. 8, 2018 (AU) 201813433

(51) **LOC (12) Cl.** **08-05**

(52) **U.S. Cl.**
USPC **D8/355; D8/354**

(58) **Field of Classification Search**
USPC D8/354, 349, 352, 355; D34/31, 28, 35
CPC E04F 15/02452; E04F 15/02494; E04F
15/02464
See application file for complete search history.

(56) **References Cited**

U.S. PATENT DOCUMENTS

- 7,921,612 B2 * 4/2011 Knight, III B23Q 1/0054
248/188.4
- D644,404 S * 8/2011 Lee D34/35
- D733,528 S * 7/2015 Lee D8/354
- 10,415,191 B2 * 9/2019 Tabibnia F24D 3/146
- 2002/0121583 A1 * 9/2002 Jones E01C 5/223
248/346.01
- 2009/0199494 A1 * 8/2009 Lee B25B 13/485
52/126.6

- 2010/0058679 A1 * 3/2010 Greaves E04D 12/006
52/126.6
- 2011/0192941 A1 * 8/2011 Lalancette F16L 3/04
248/70
- 2012/0272588 A1 * 11/2012 Kugler E04F 15/02183
52/126.6
- 2012/0272589 A1 * 11/2012 Kugler E04F 15/02183
52/126.6
- 2013/0219809 A1 * 8/2013 Tabibnia E04F 15/02464
52/126.6
- 2014/0308076 A1 * 10/2014 Tabibnia E01C 5/00
404/99
- 2016/0244979 A1 * 8/2016 Greaves E04F 15/02452
- 2017/0152635 A1 * 6/2017 Tabibnia F24D 3/127

* cited by examiner

Primary Examiner — Keli L Hill

Assistant Examiner — Harold E Blackwell, II

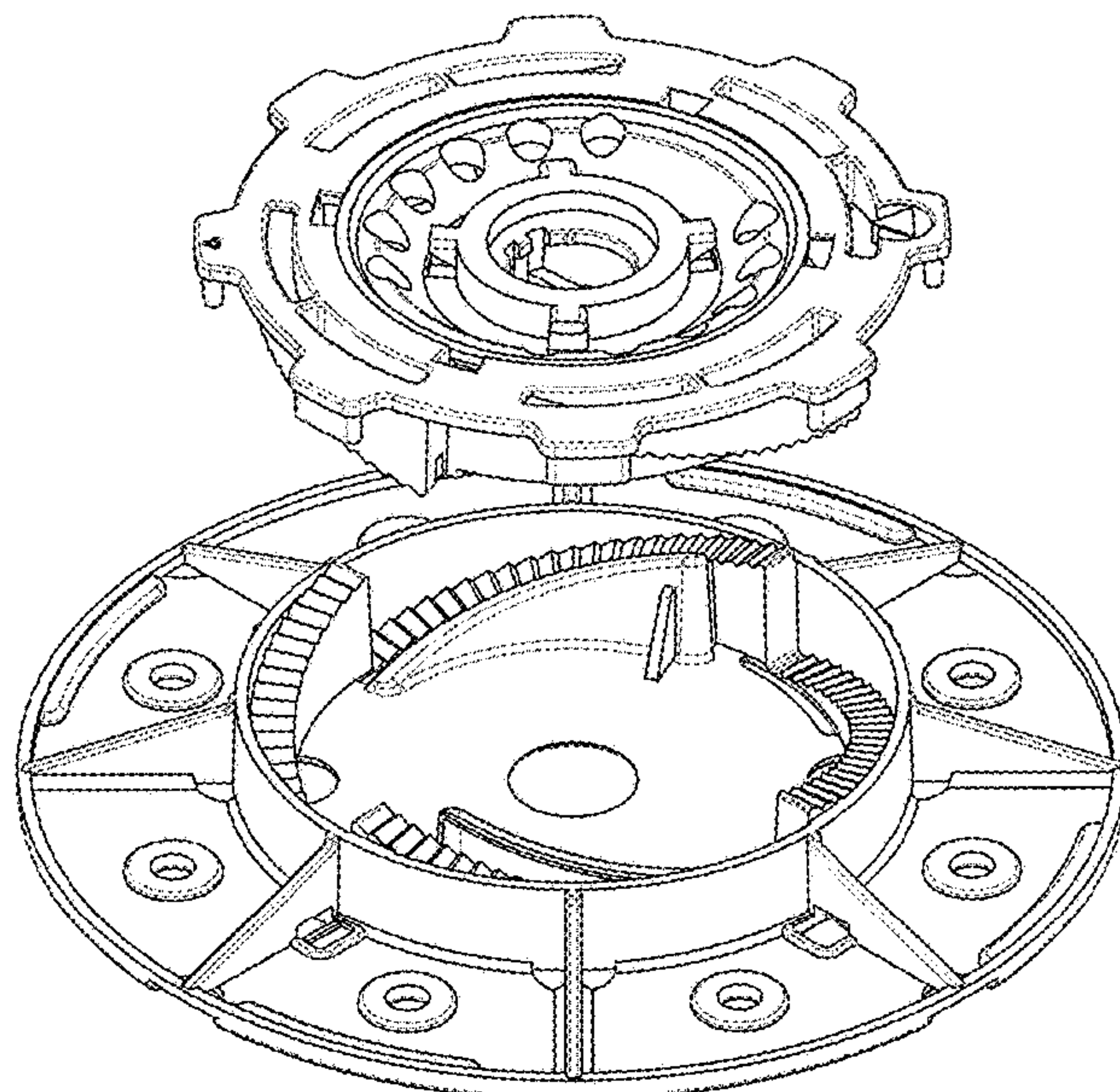
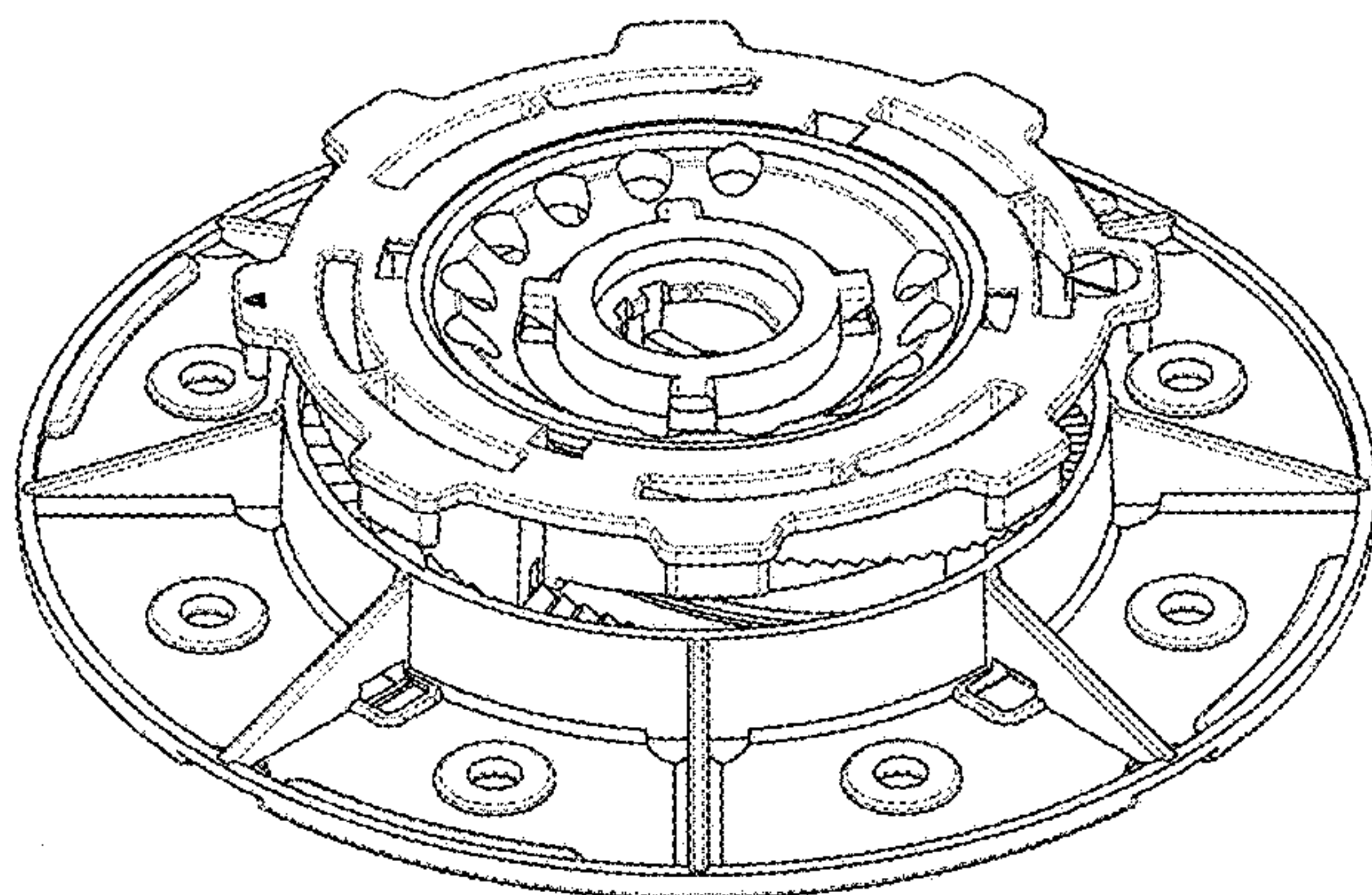
(57) **CLAIM**

The ornamental design for a height adjustable pedestal, as shown and described.

DESCRIPTION

FIG. 1 is a top plan view of an assembled height adjustable pedestal comprising two components;
 FIG. 2 is a top isometric view of the assembled height adjustable pedestal;
 FIG. 3 is an exploded top isometric view of the height adjustable pedestal showing the two components separated;
 FIG. 4 is a left, right, front and back view of the assembled height adjustable pedestal;
 FIG. 5 is a bottom view of the height adjustable pedestal;
 FIG. 6 is a bottom isometric view of the height adjustable pedestal; and,
 FIG. 7 is an exploded bottom isometric view of the height adjustable pedestal showing the two components separated.

1 Claim, 7 Drawing Sheets



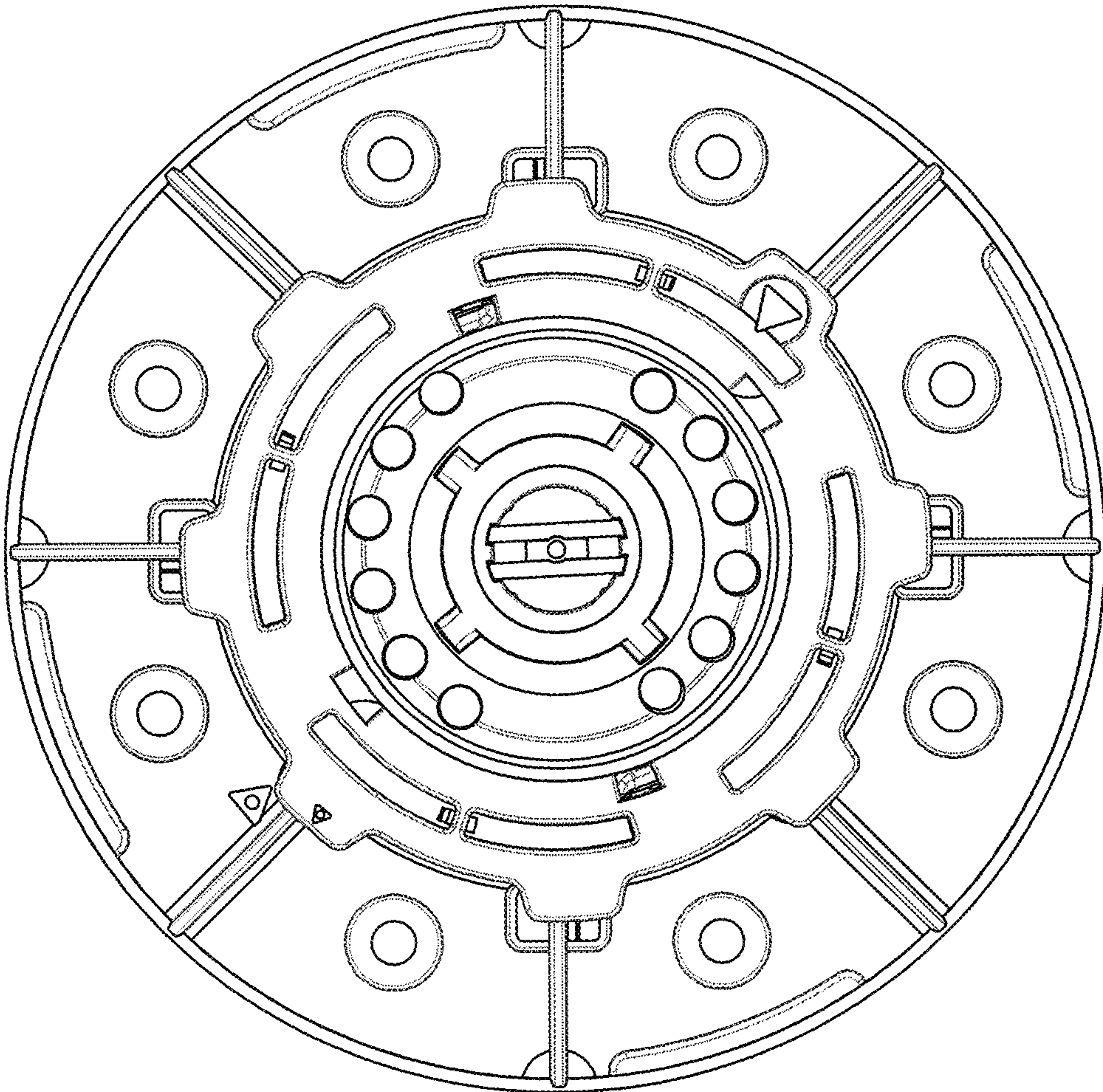


FIG. 1

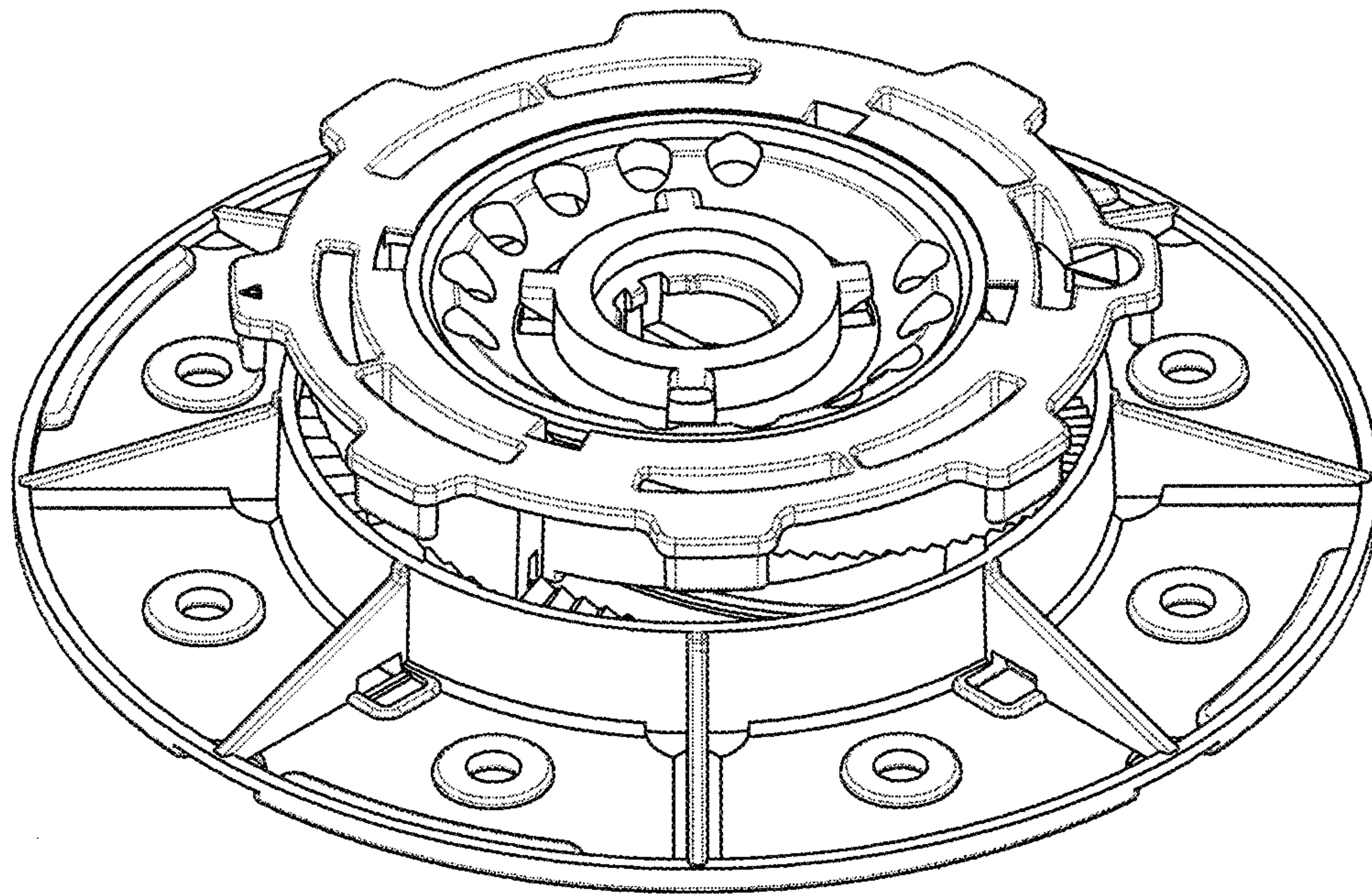


FIG. 2

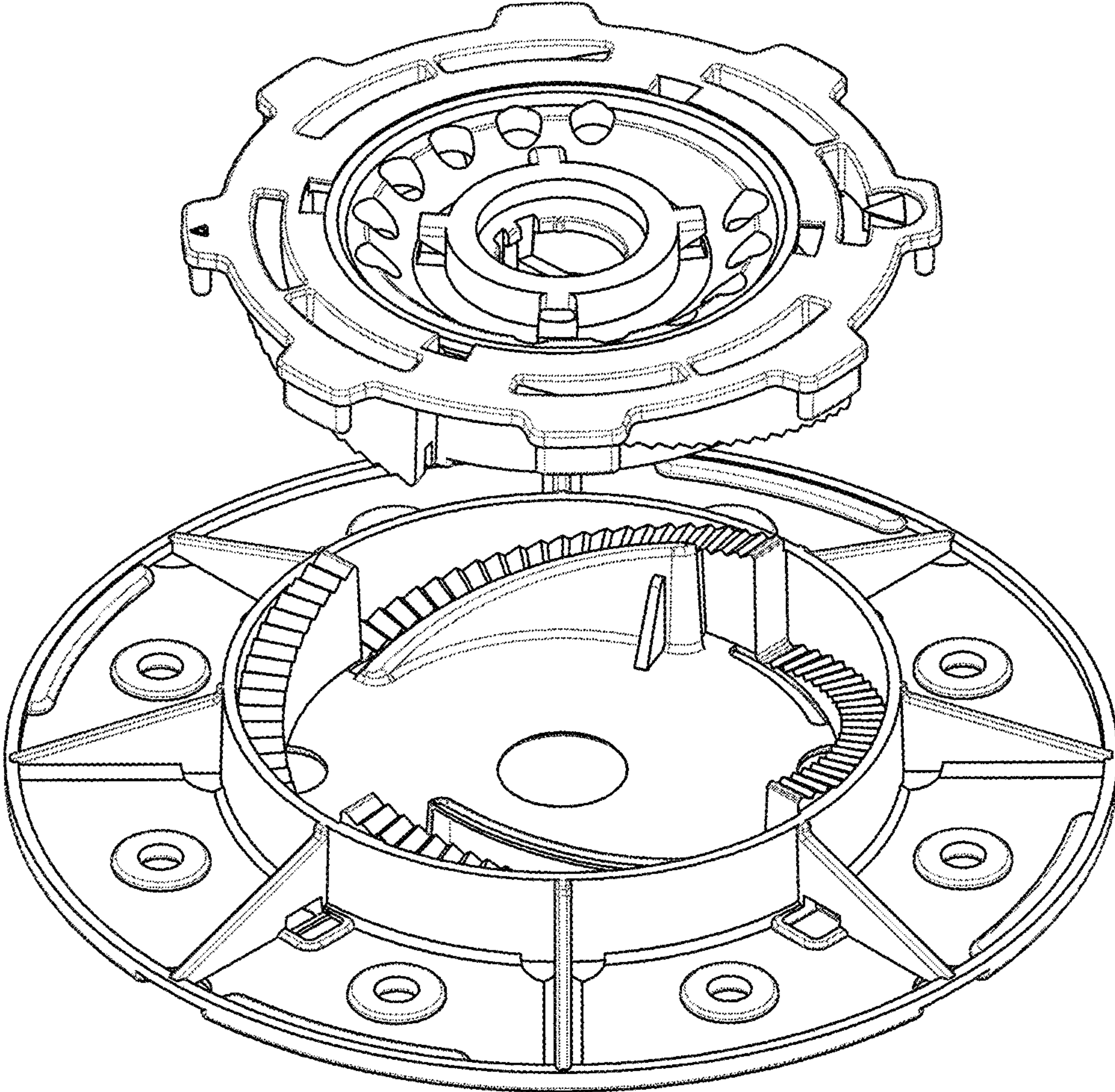


FIG. 3

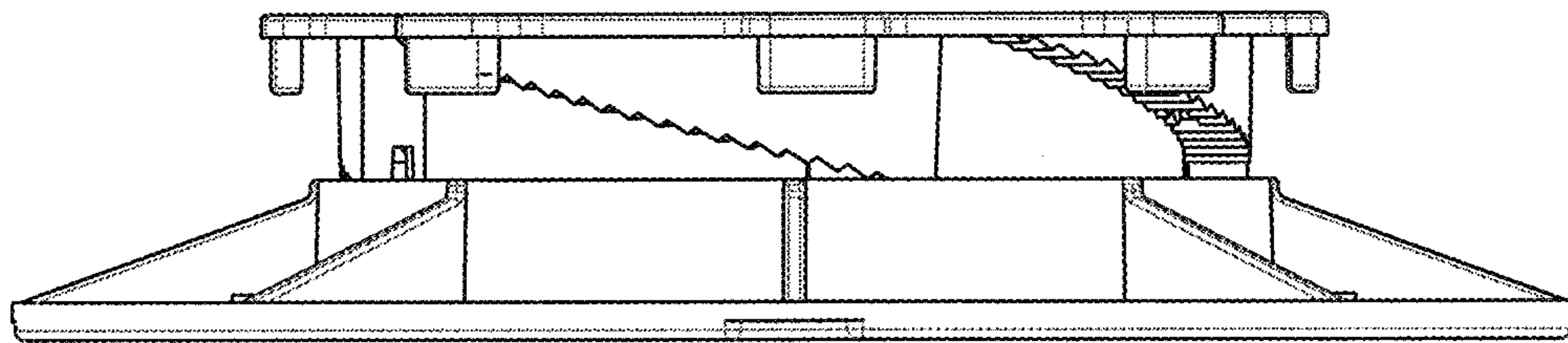


FIG. 4

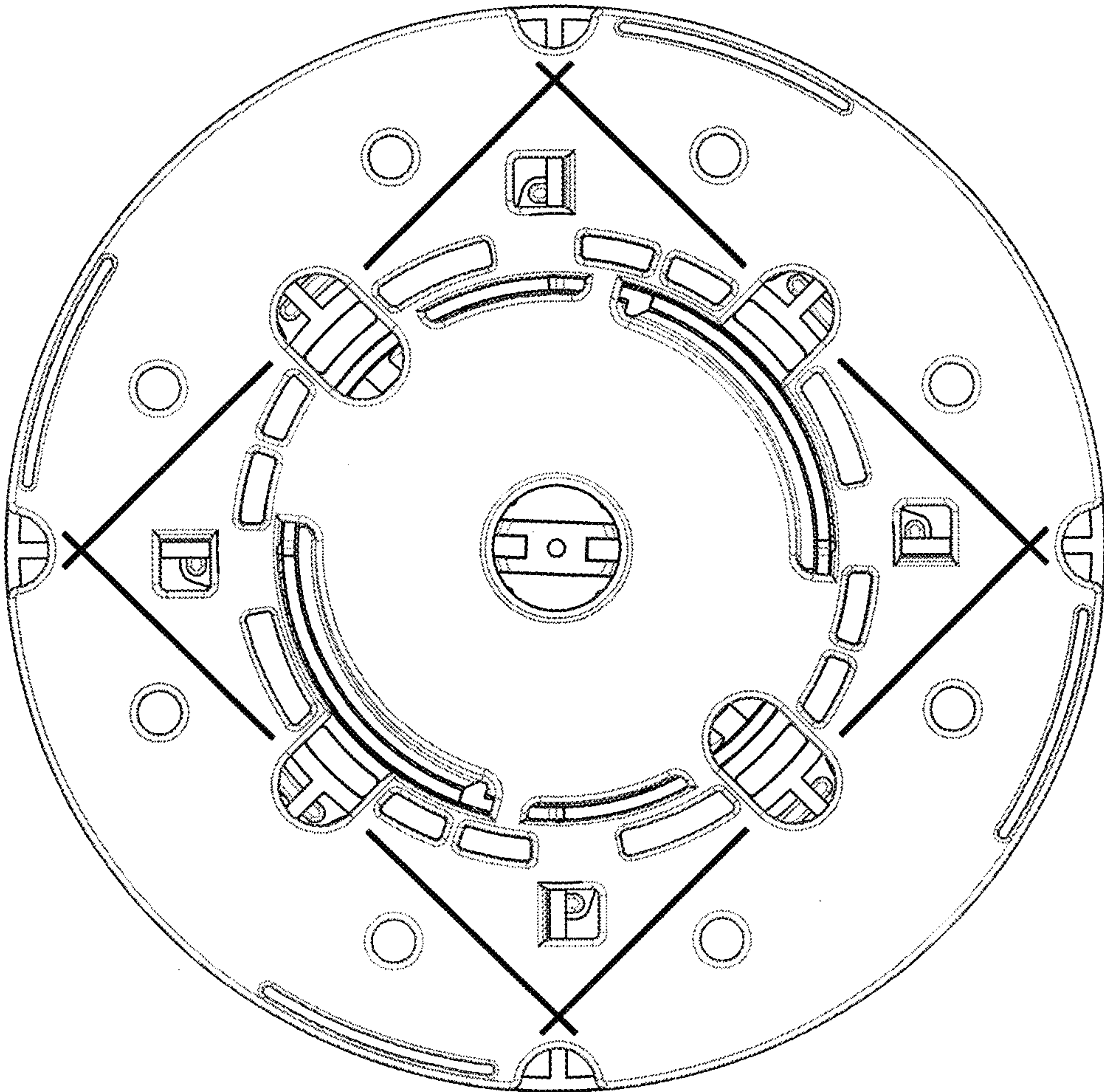


FIG. 5

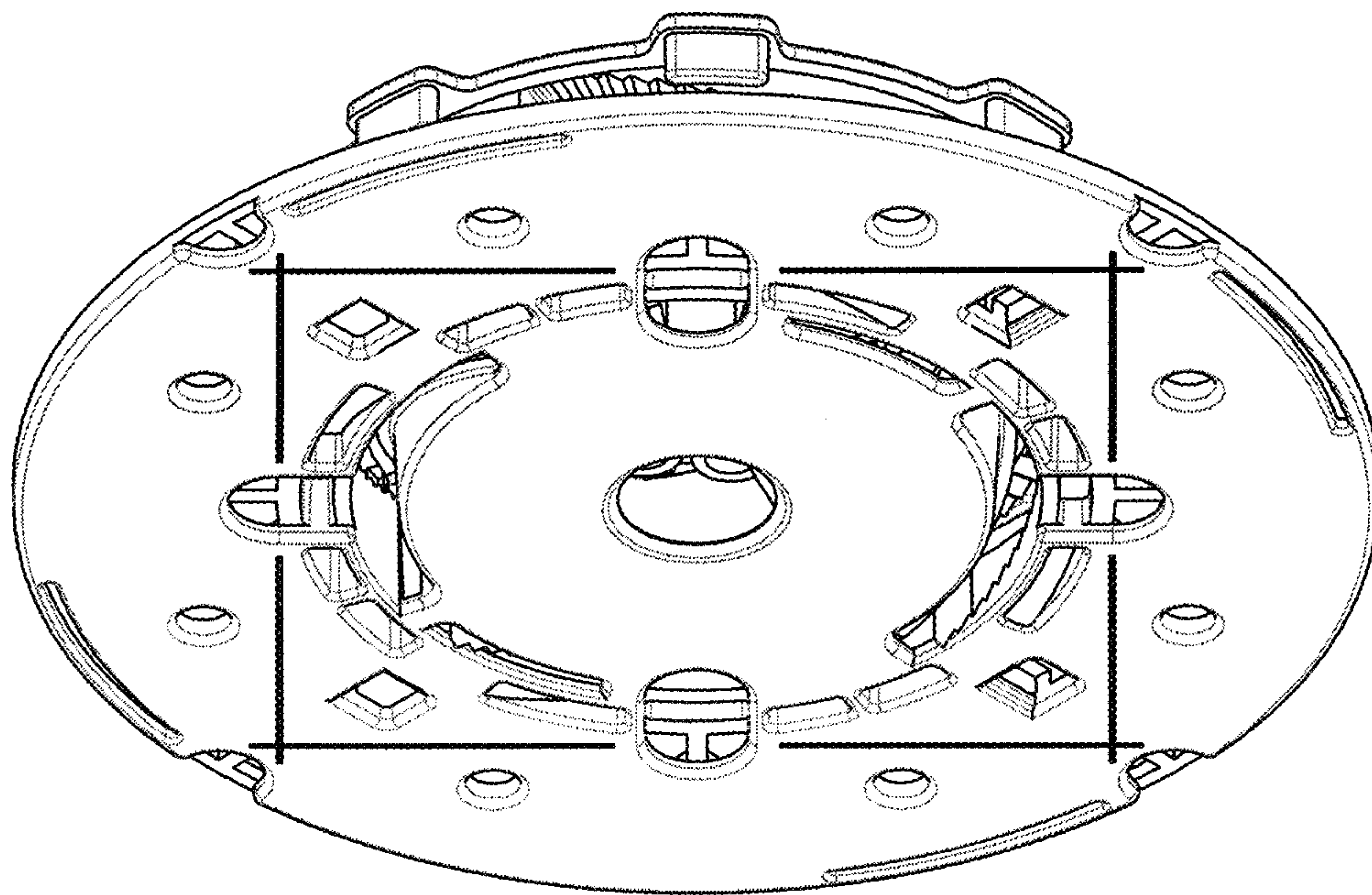


FIG. 6

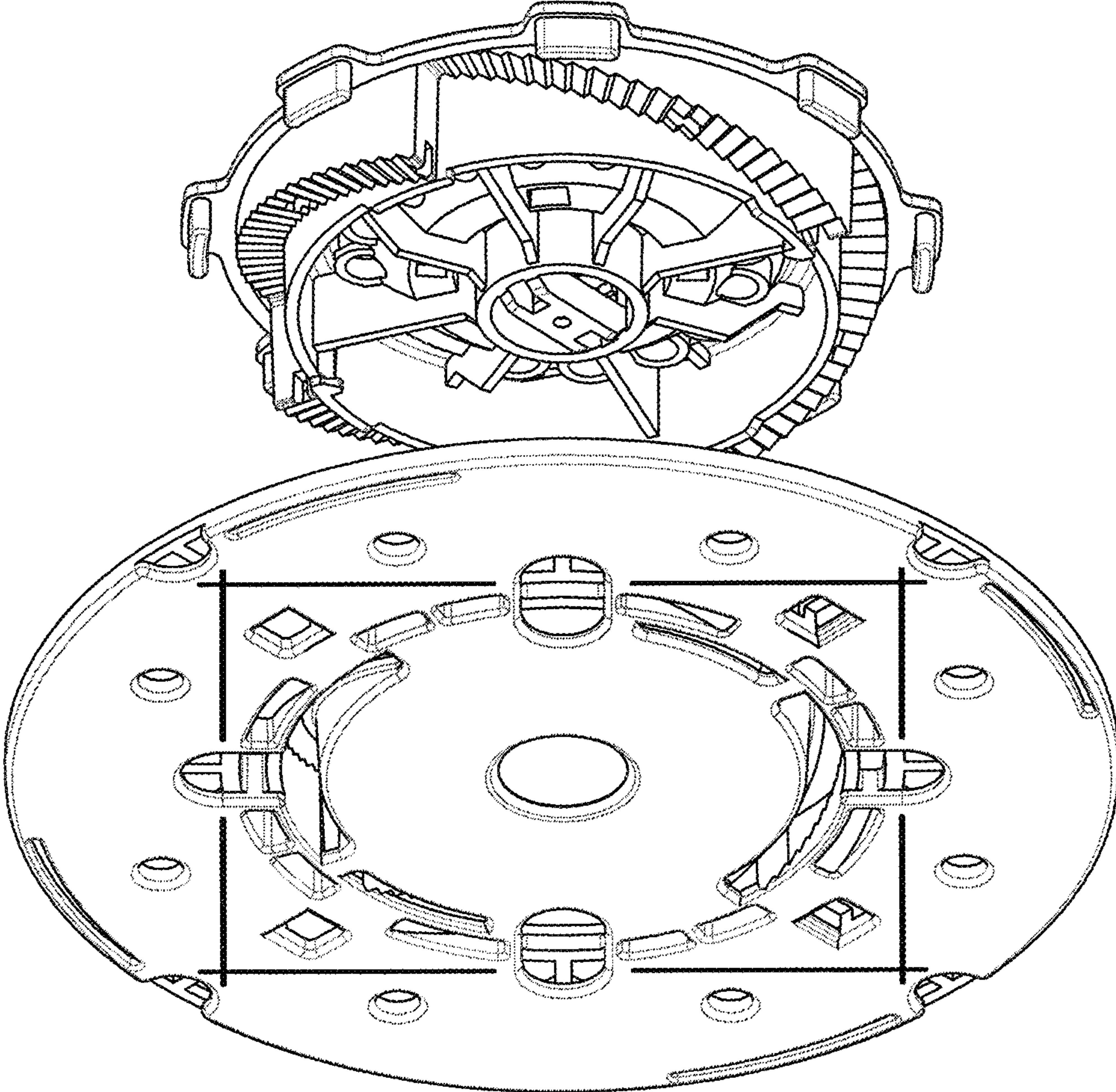


FIG. 7