



US00D880986S

(12) **United States Design Patent**
Lee et al.

(10) **Patent No.:** **US D880,986 S**
(45) **Date of Patent:** **** Apr. 14, 2020**

(54) **ADJUSTABLE PEDESTAL**

(71) Applicant: **Elmich Pte Ltd**, Singapore (SG)

(72) Inventors: **Alan Sian Ghee Lee**, Singapore (SG);
Henry Greaves, Watsons Bay (AU)

(73) Assignee: **ELMICH PTE LTD.**, Singapore (SG)

(**) Term: **15 Years**

(21) Appl. No.: **29/672,430**

(22) Filed: **Dec. 5, 2018**

(30) **Foreign Application Priority Data**

Jun. 8, 2018 (AU) 201813431

(51) **LOC (12) Cl.** **08-05**

(52) **U.S. Cl.**
USPC **D8/354; D8/355**

(58) **Field of Classification Search**
USPC D8/354, 349, 352, 355; D34/31, 28, 35
CPC E04F 15/02452; E04F 15/02494; E04F
15/02464
See application file for complete search history.

(56) **References Cited**

U.S. PATENT DOCUMENTS

7,921,612	B2 *	4/2011	Knight, III	B23Q 1/0054 248/188.4
D644,404	S *	8/2011	Lee	D34/35
D733,528	S *	7/2015	Lee	D8/354
10,415,191	B2 *	9/2019	Tabibnia	F24D 3/146
2002/0121583	A1 *	9/2002	Jones	E01C 5/223 248/346.01
2009/0199494	A1 *	8/2009	Lee	B25B 13/485 52/126.6
2010/0058679	A1 *	3/2010	Greaves	E04D 12/006 52/126.6

2011/0192941	A1 *	8/2011	Lalancette	F16L 3/04 248/70
2012/0272588	A1 *	11/2012	Kugler	E04F 15/02183 52/126.6
2012/0272589	A1 *	11/2012	Kugler	E04F 15/02183 52/126.6
2013/0219809	A1 *	8/2013	Tabibnia	E04F 15/02464 52/126.6
2014/0308076	A1 *	10/2014	Tabibnia	E01C 5/00 404/99
2016/0244979	A1 *	8/2016	Greaves	E04F 15/02452
2017/0152635	A1 *	6/2017	Tabibnia	F24D 3/127

* cited by examiner

Primary Examiner — Keli L Hill

Assistant Examiner — Harold E Blackwell, II

(57) **CLAIM**

The ornamental design for the adjustable pedestal, as shown and described.

DESCRIPTION

FIG. 1 is a top plan view of an assembled adjustable pedestal comprising two components;

FIG. 2 is a top isometric view of the assembled adjustable pedestal;

FIG. 3 is an exploded top isometric view of the adjustable pedestal showing the two components separated;

FIG. 4 is a left and right view of the assembled adjustable pedestal;

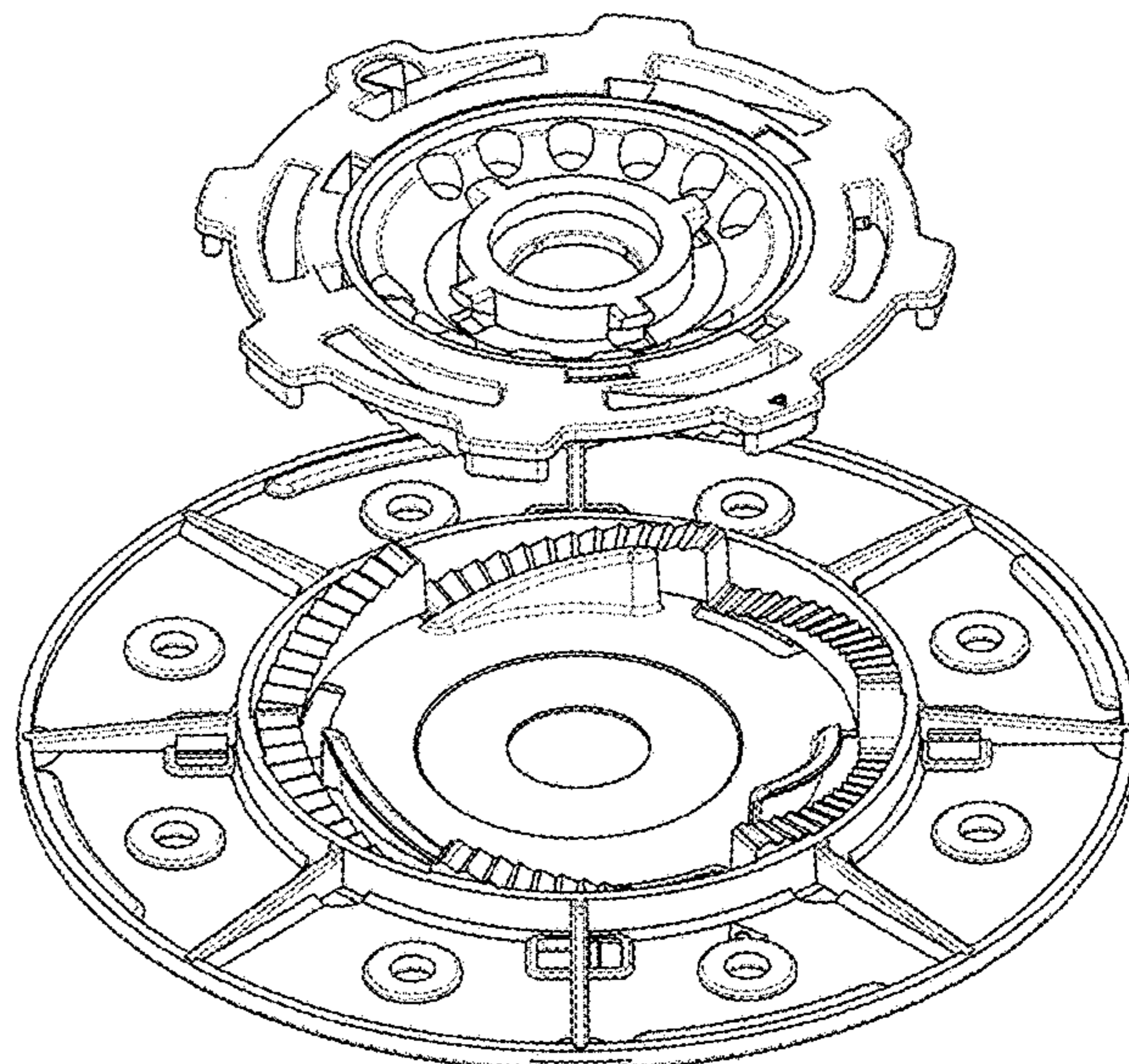
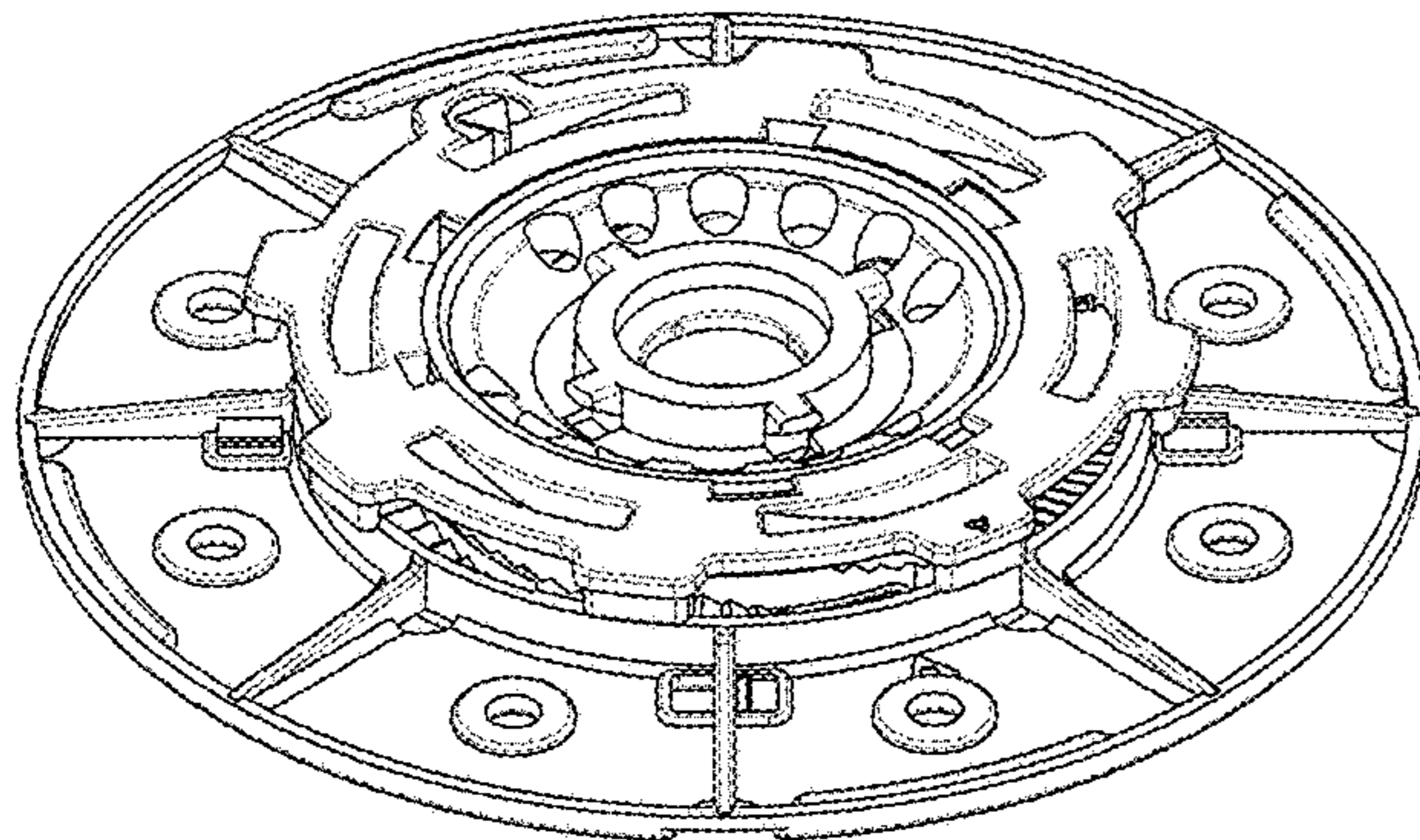
FIG. 5 is a front and back view of the assembled of the adjustable pedestal;

FIG. 6 is a bottom view of the adjustable pedestal;

FIG. 7 is a bottom isometric view of the adjustable pedestal; and,

FIG. 8 is an exploded bottom isometric view of the adjustable pedestal showing the two components separated.

1 Claim, 8 Drawing Sheets



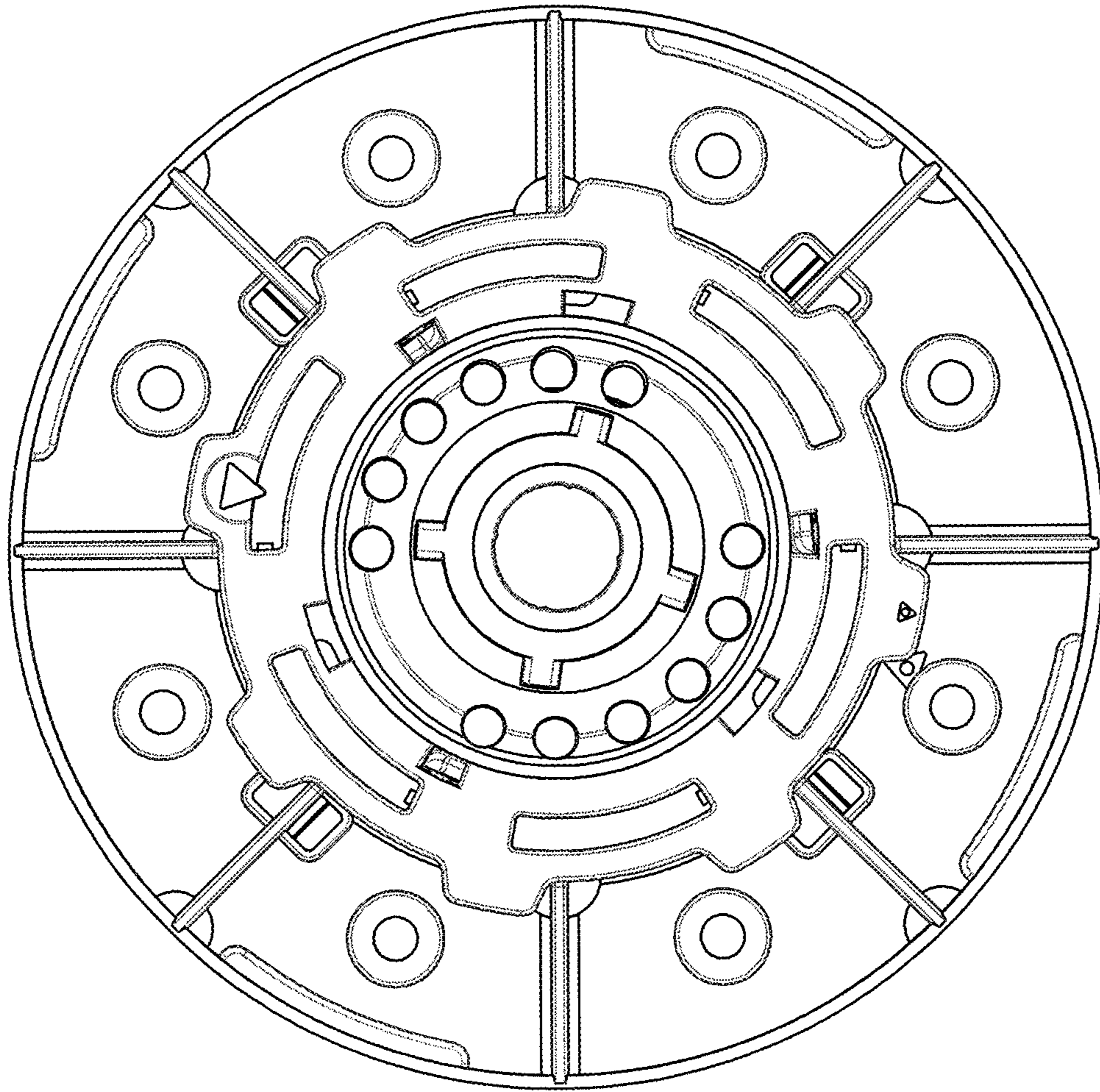


FIG. 1

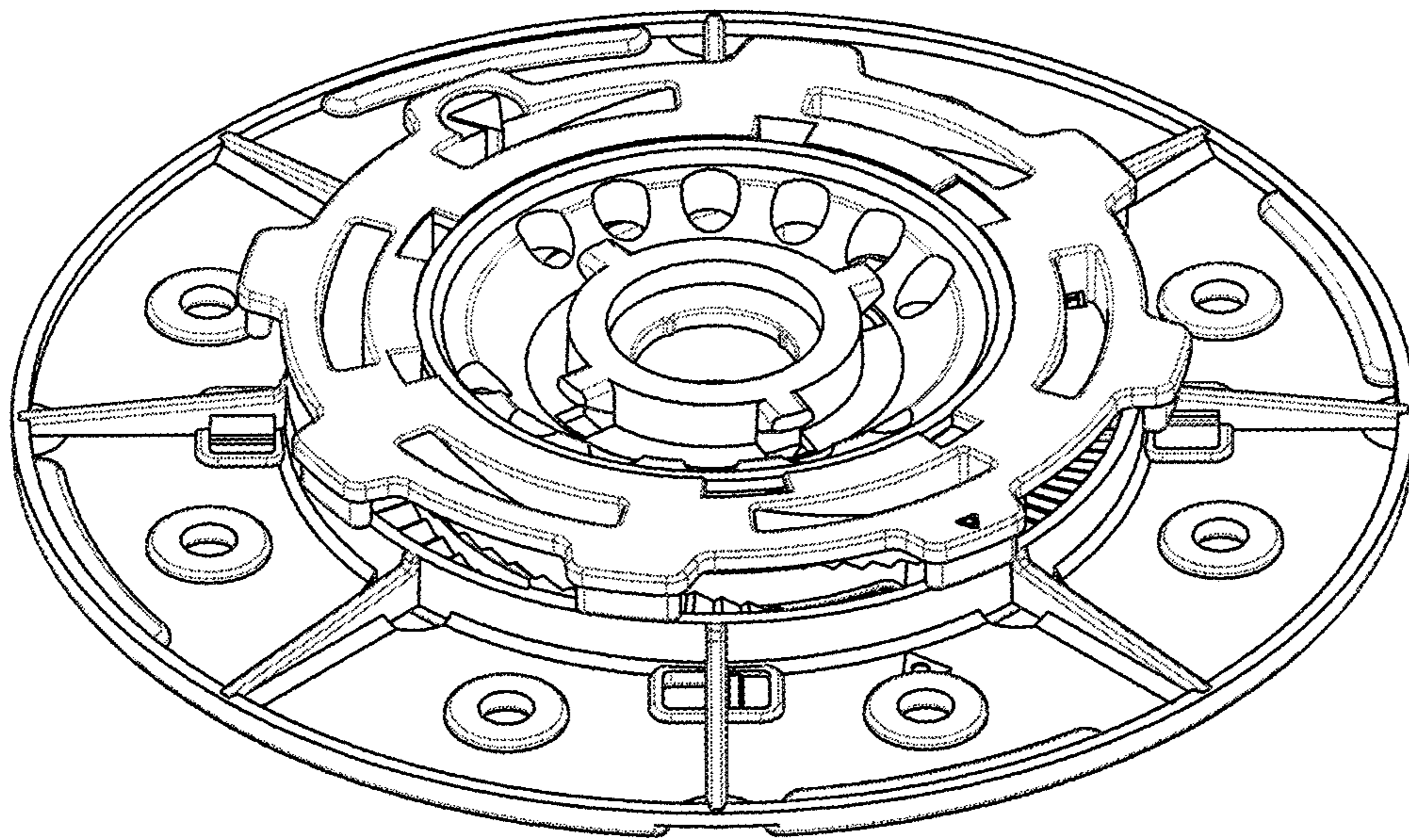


FIG. 2

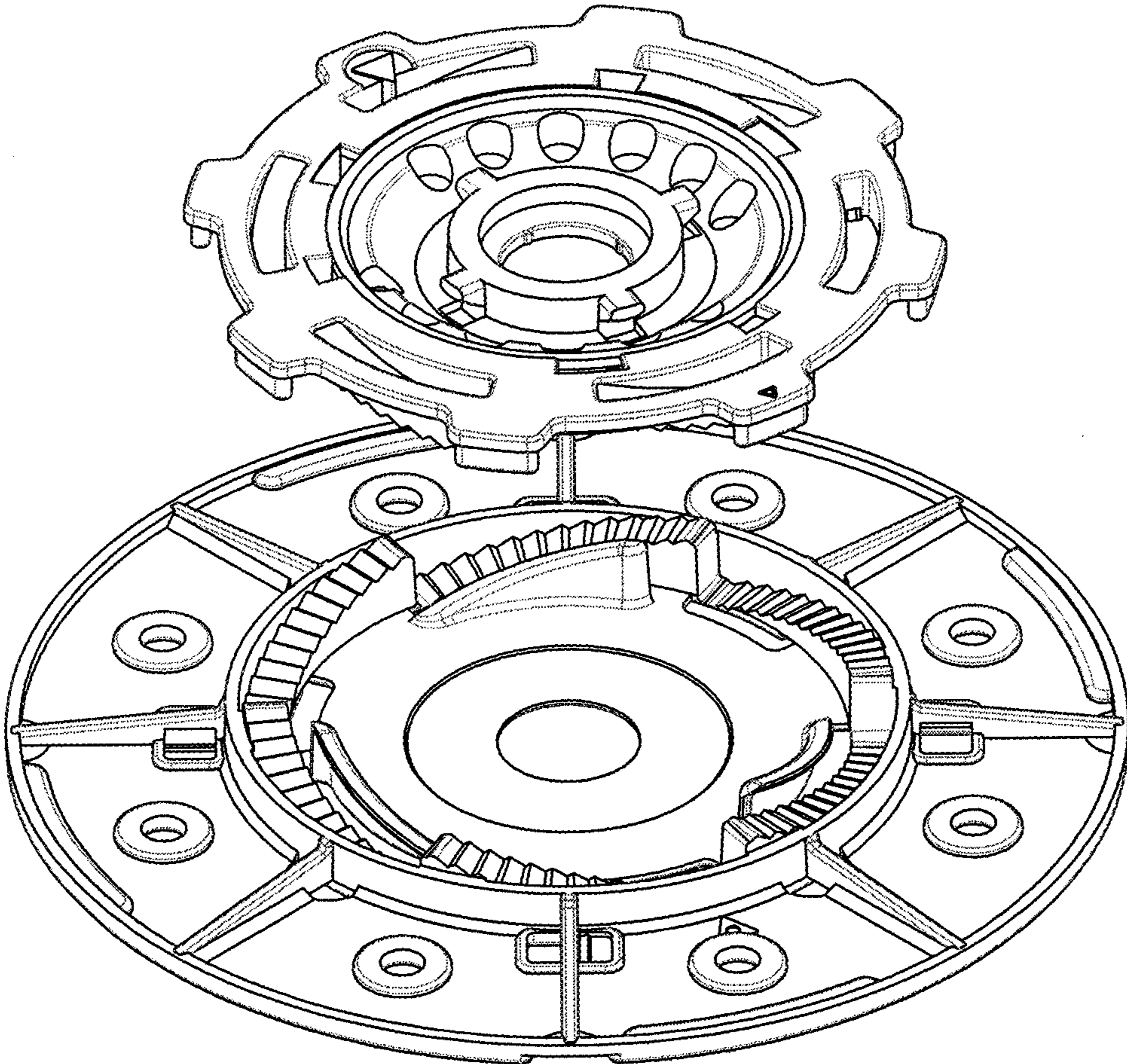


FIG. 3

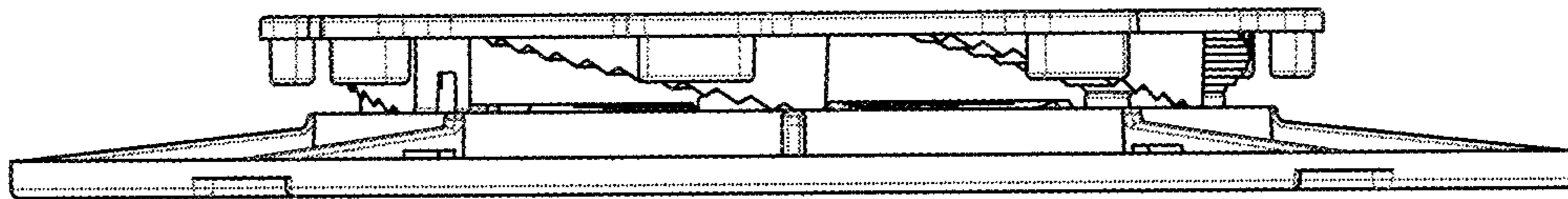


FIG. 4

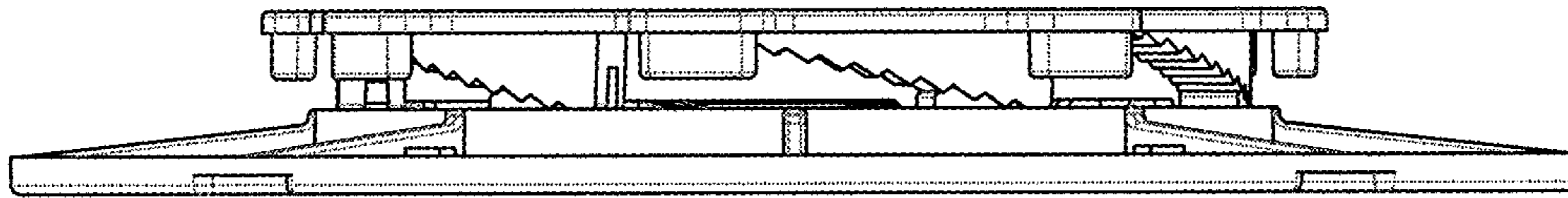


FIG. 5

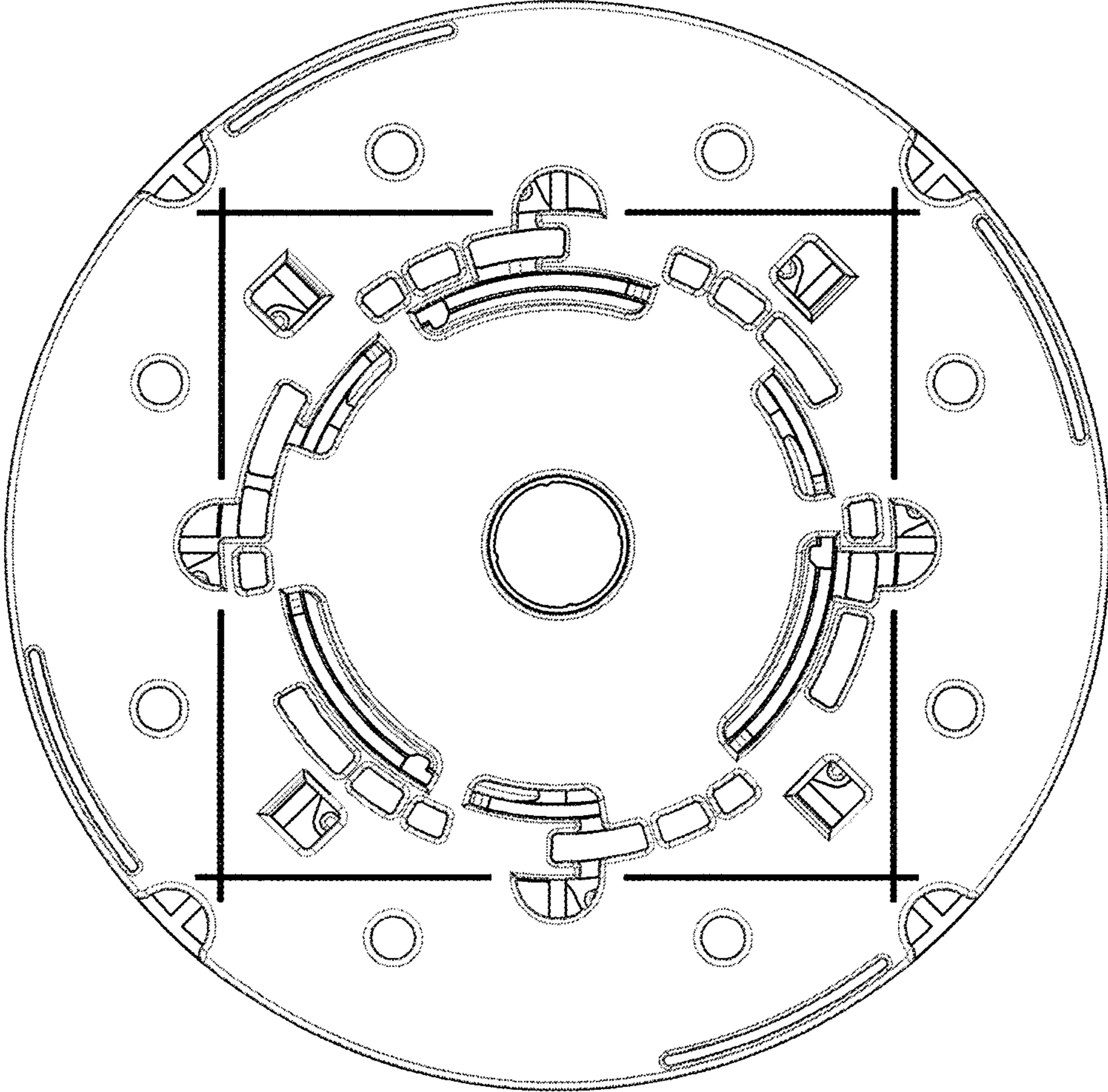


FIG. 6

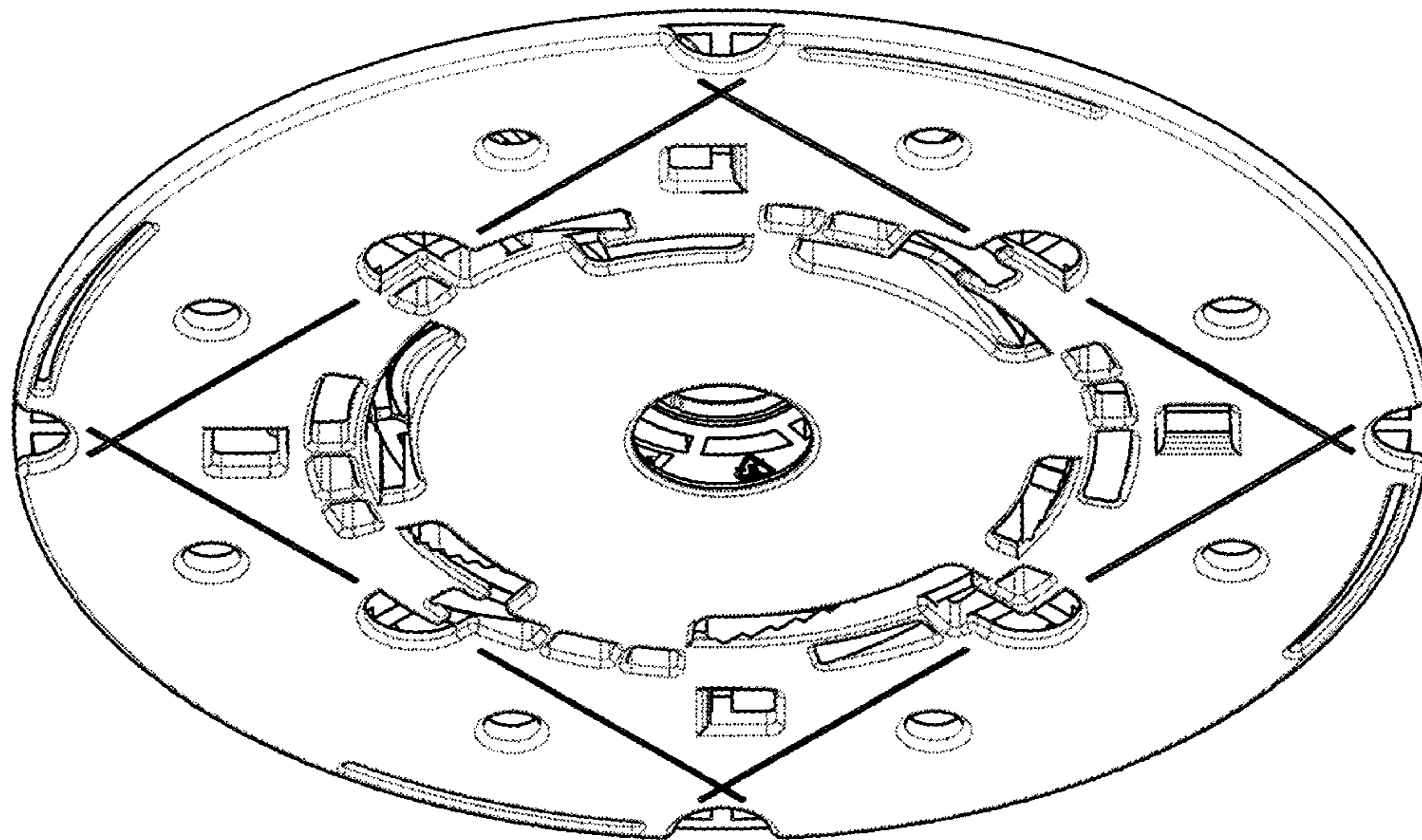


FIG. 7

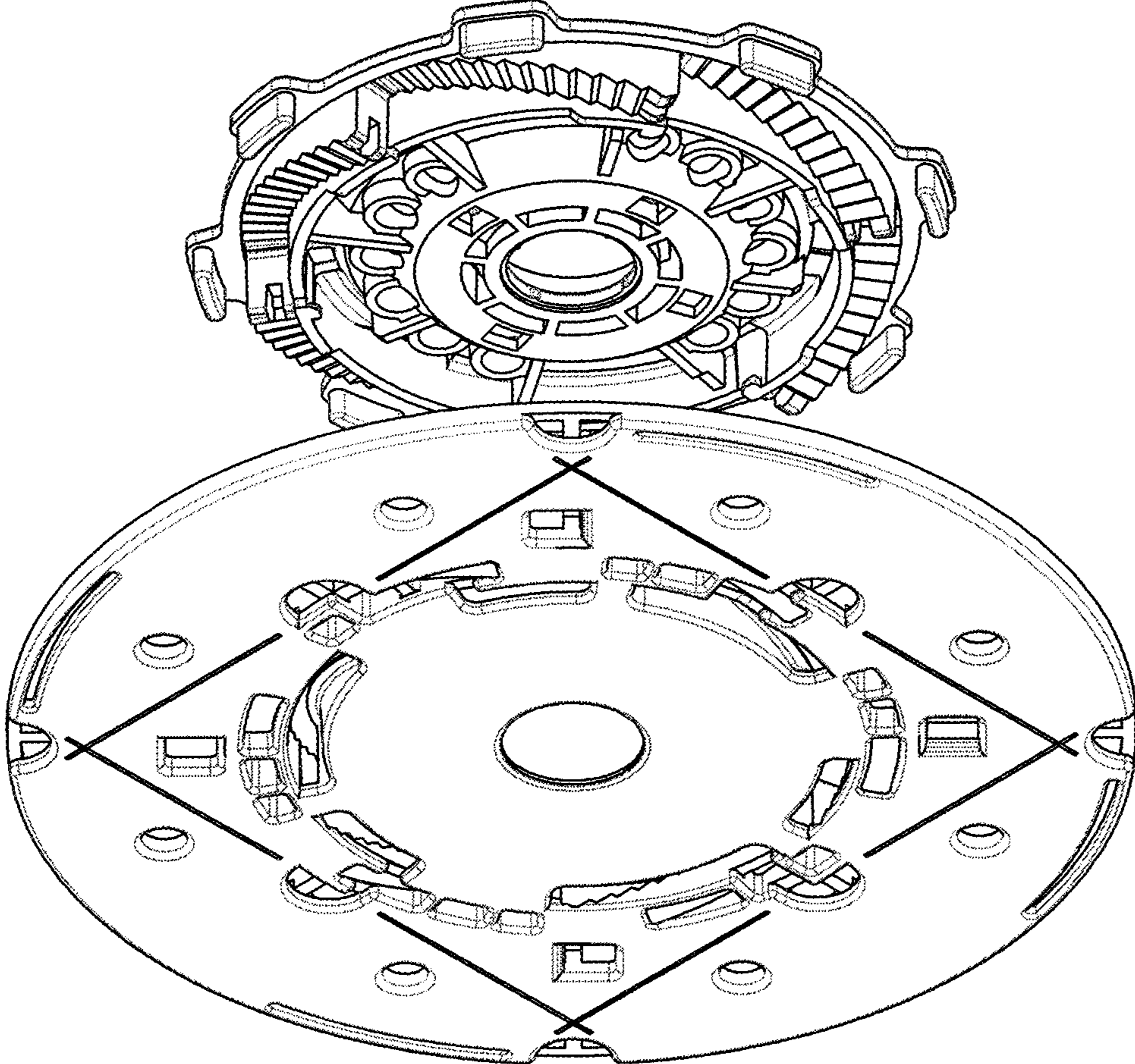


FIG. 8