



US00D880982S

(12) **United States Design Patent**  
**Morehead**

(10) **Patent No.:** **US D880,982 S**

(45) **Date of Patent:** **\*\* Apr. 14, 2020**

(54) **POWER TAKE OFF ADAPTER UPPER BRACKET**

(71) Applicant: **Propulsion Systems, Inc.**, Seattle, WA (US)

(72) Inventor: **Scott Morehead**, Seattle, WA (US)

(73) Assignee: **PROPULSION SYSTEMS, INC.**, Seattle, WA (US)

(\*\*) Term: **15 Years**

(21) Appl. No.: **29/657,957**

(22) Filed: **Jul. 26, 2018**

(51) **LOC (12) Cl.** ..... **08-08**

(52) **U.S. Cl.**  
USPC ..... **D8/349**

(58) **Field of Classification Search**  
USPC ..... D8/349, 354, 355, 363, 373-377  
CPC .. A47F 5/00; A47H 1/10; A47G 29/00; A47G 29/08; A47K 3/14; A47B 97/00  
See application file for complete search history.

(56) **References Cited**

U.S. PATENT DOCUMENTS

- 4,732,029 A \* 3/1988 Bertino ..... A62B 3/005 72/301
- D319,523 S \* 8/1991 Hall ..... D8/349
- 5,312,078 A \* 5/1994 Marsh ..... A47B 96/06 248/220.1
- D364,556 S \* 11/1995 Lee ..... D8/499

- D384,335 S \* 9/1997 Nelson ..... D13/184
- D397,985 S \* 9/1998 Pingel ..... D12/217
- D523,740 S \* 6/2006 Harris ..... D8/403
- D567,775 S \* 4/2008 Simon ..... D13/184
- D601,414 S \* 10/2009 Riley ..... D8/499
- D616,817 S \* 6/2010 Walker ..... D13/108
- D673,029 S \* 12/2012 Apesteguia Martinez .... D8/349
- D784,790 S \* 4/2017 Marsh ..... D8/349
- D857,480 S \* 8/2019 Ryan ..... D8/354
- D860,763 S \* 9/2019 Allen ..... D8/354
- D862,200 S \* 10/2019 Lynch ..... D8/349

\* cited by examiner

*Primary Examiner* — Mark A Goodwin

*Assistant Examiner* — Benjamin M Weeks

(74) *Attorney, Agent, or Firm* — Karr Tuttle Campbell; Paul Heynssens

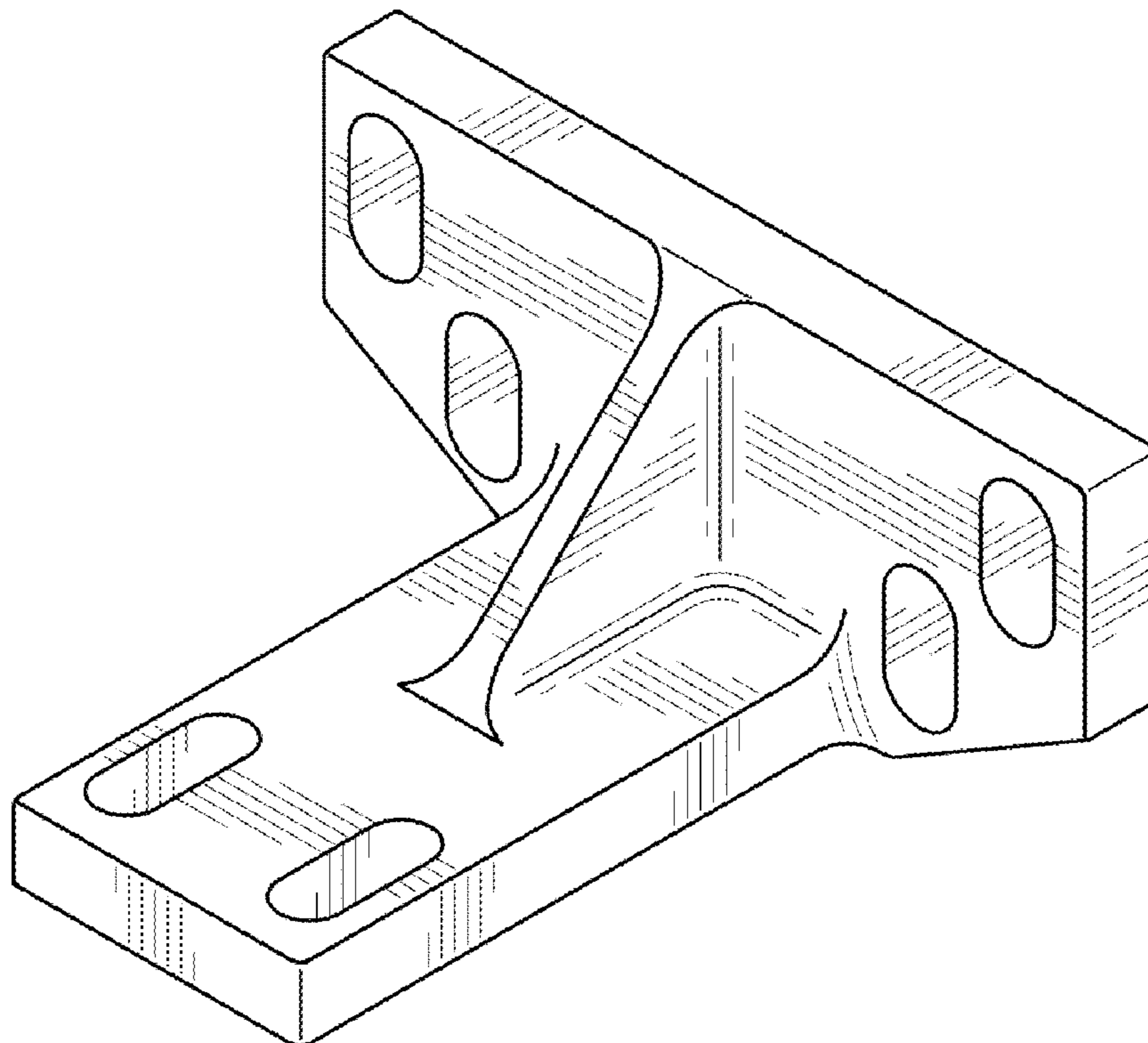
(57) **CLAIM**

The ornamental design for a power take off adapter upper bracket, as shown.

**DESCRIPTION**

FIG. 1 is a front perspective view of a power take off adapter upper bracket showing my new design.  
 FIG. 2 is a rear perspective view of the power take off adapter upper bracket.  
 FIG. 3 is a front view thereof.  
 FIG. 4 is a back view thereof.  
 FIG. 5 is a right view thereof, the left view being a mirror image thereof.  
 FIG. 6 is a top view thereof; and,  
 FIG. 7 is a bottom view thereof.

**1 Claim, 2 Drawing Sheets**



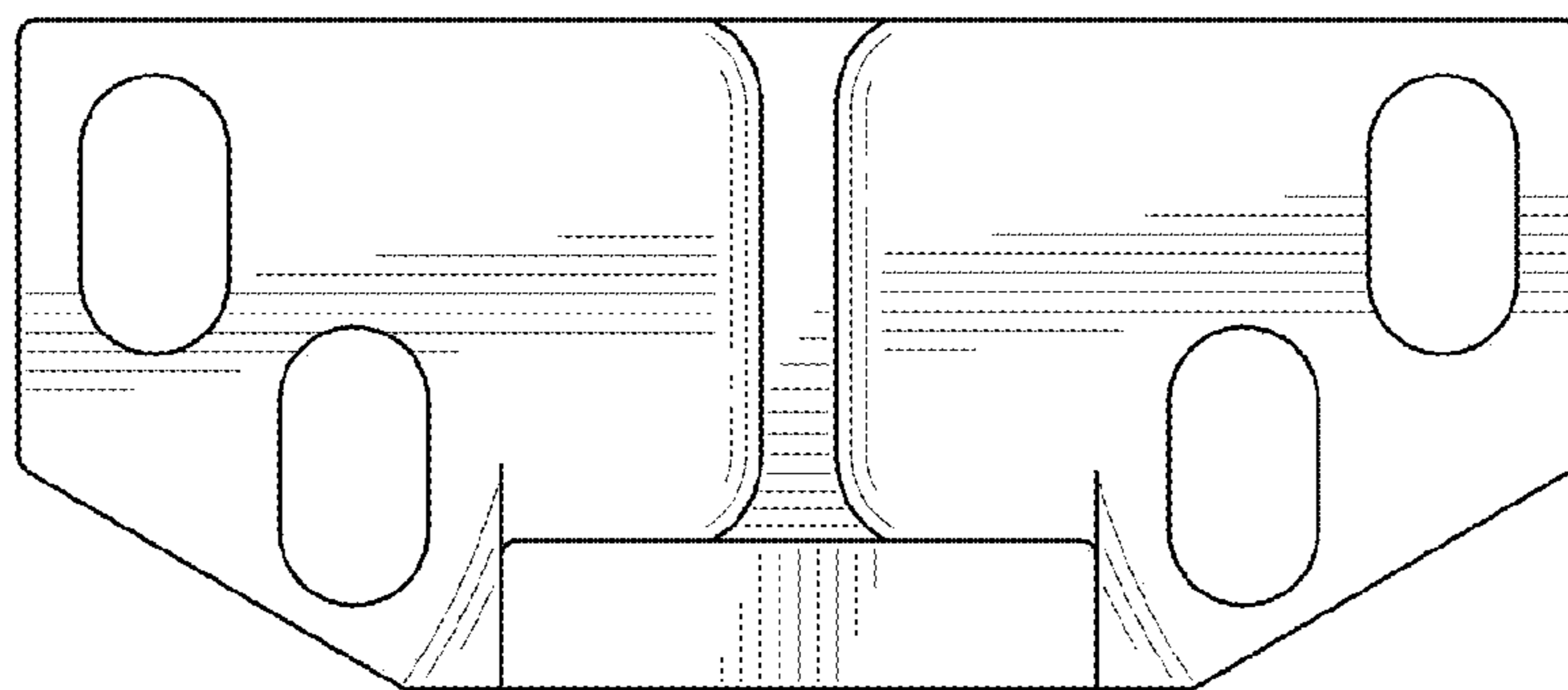
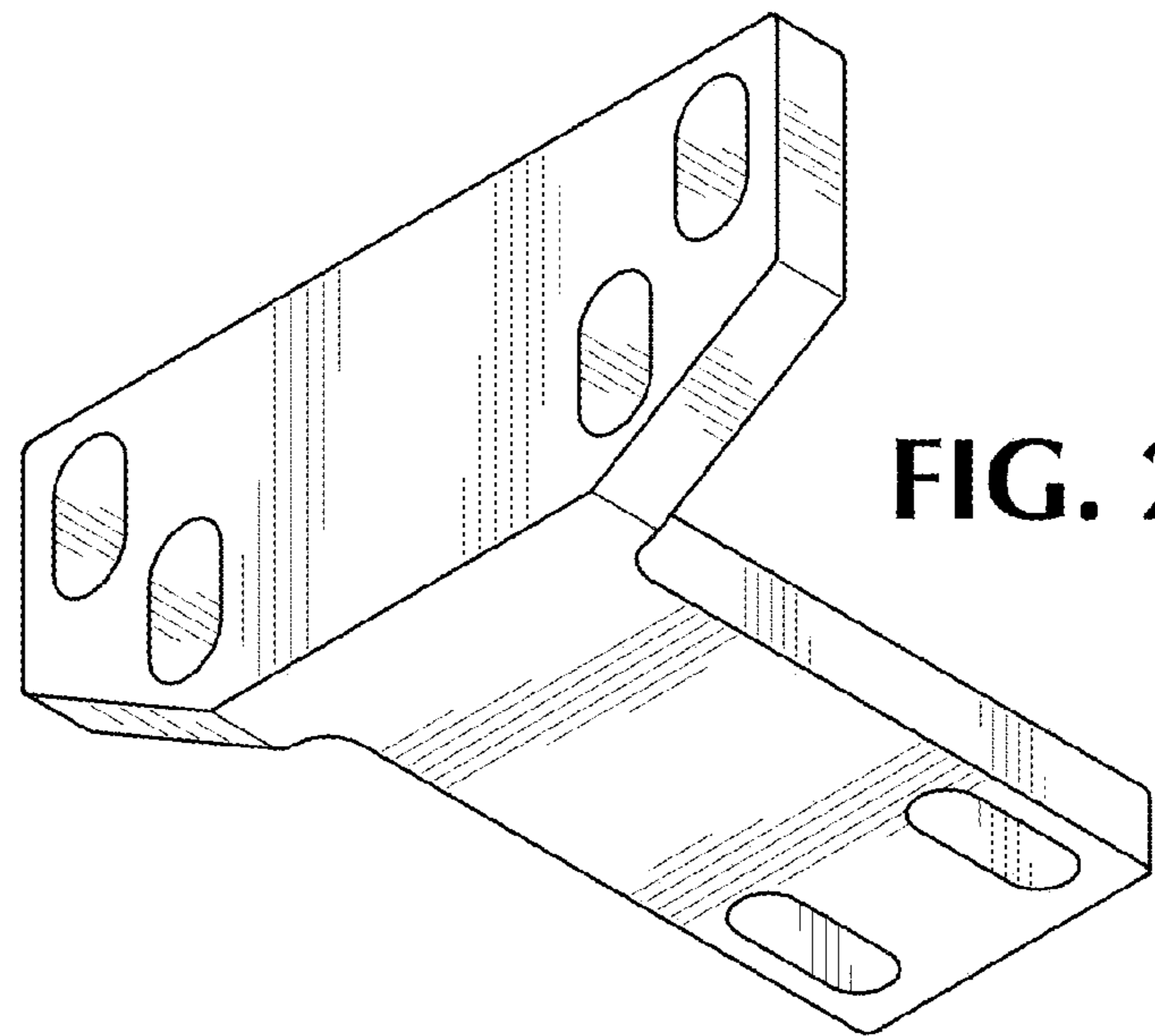
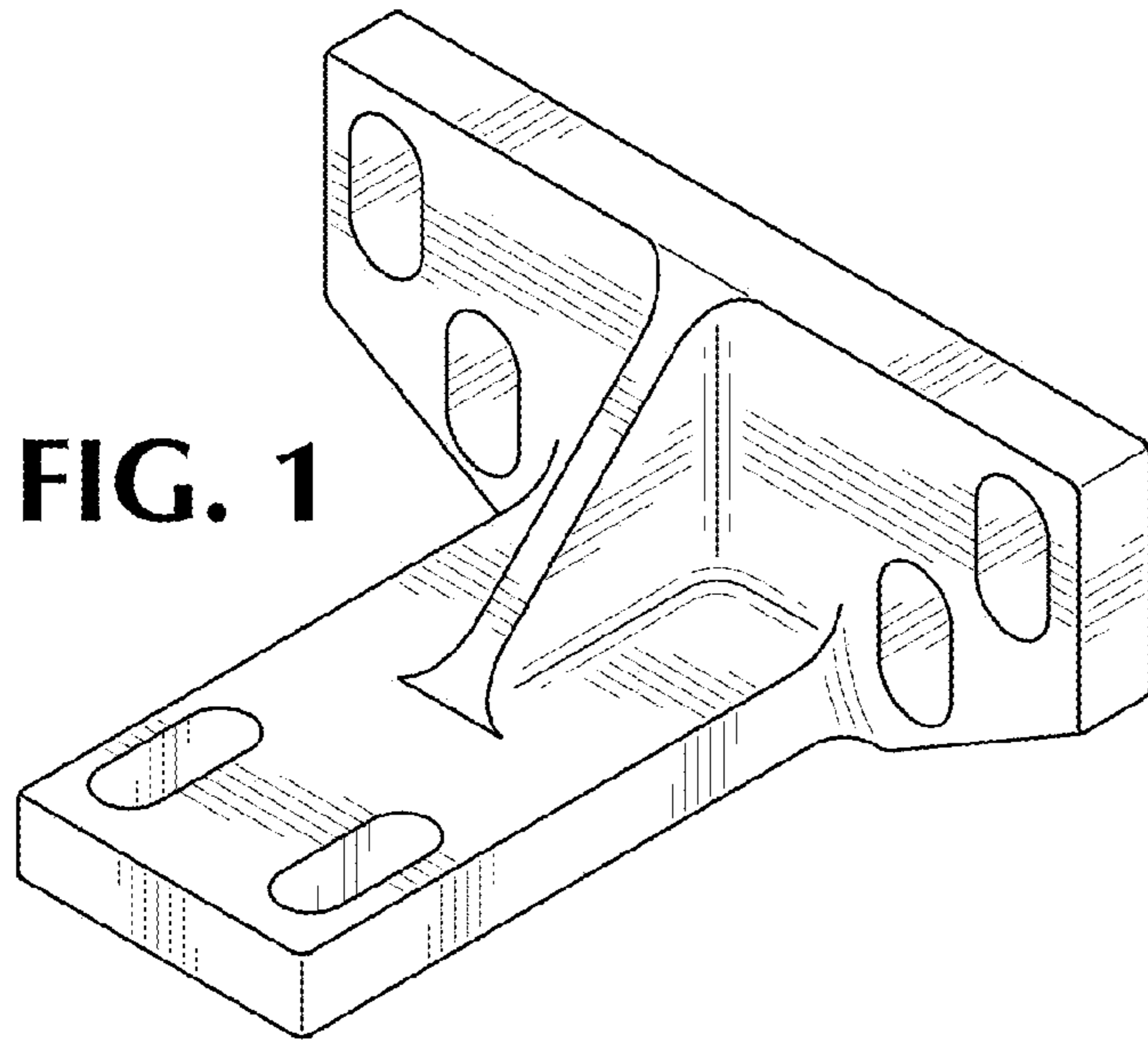
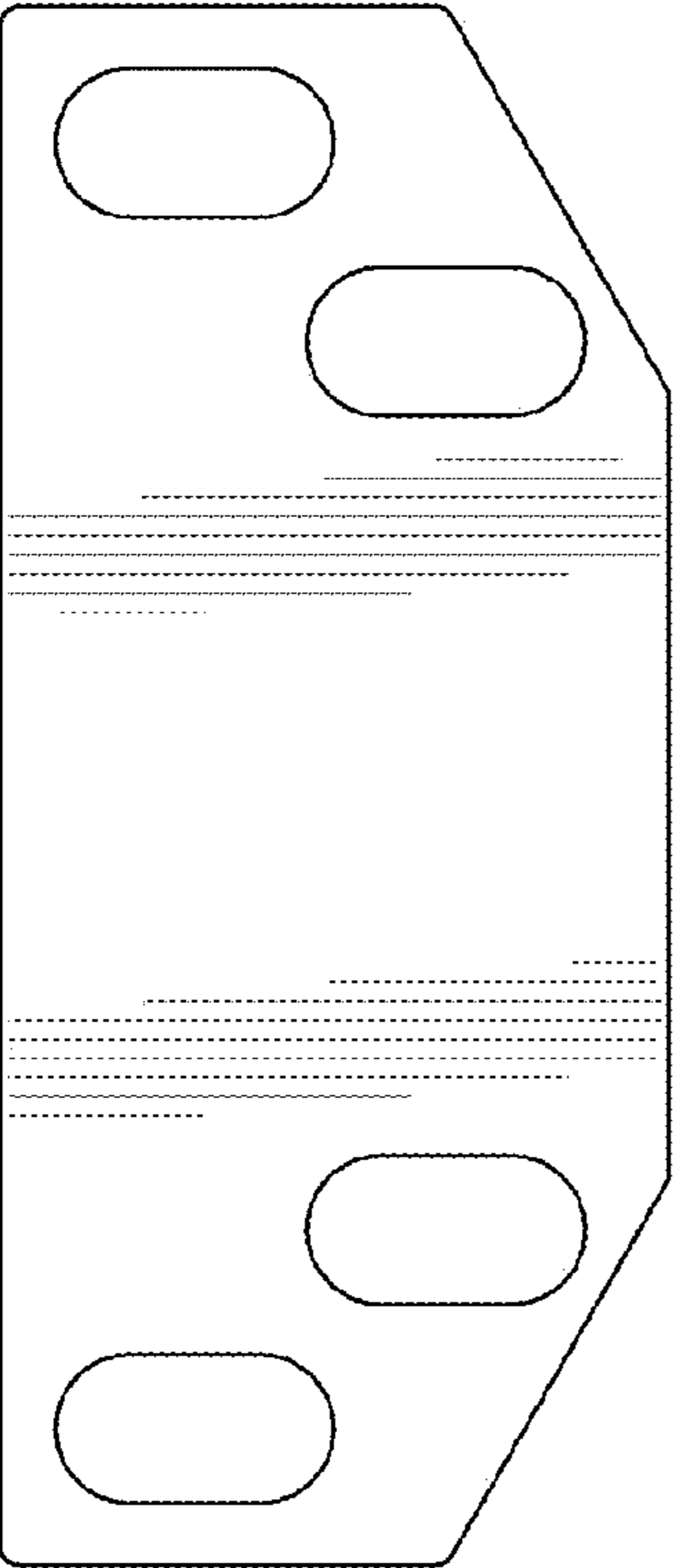
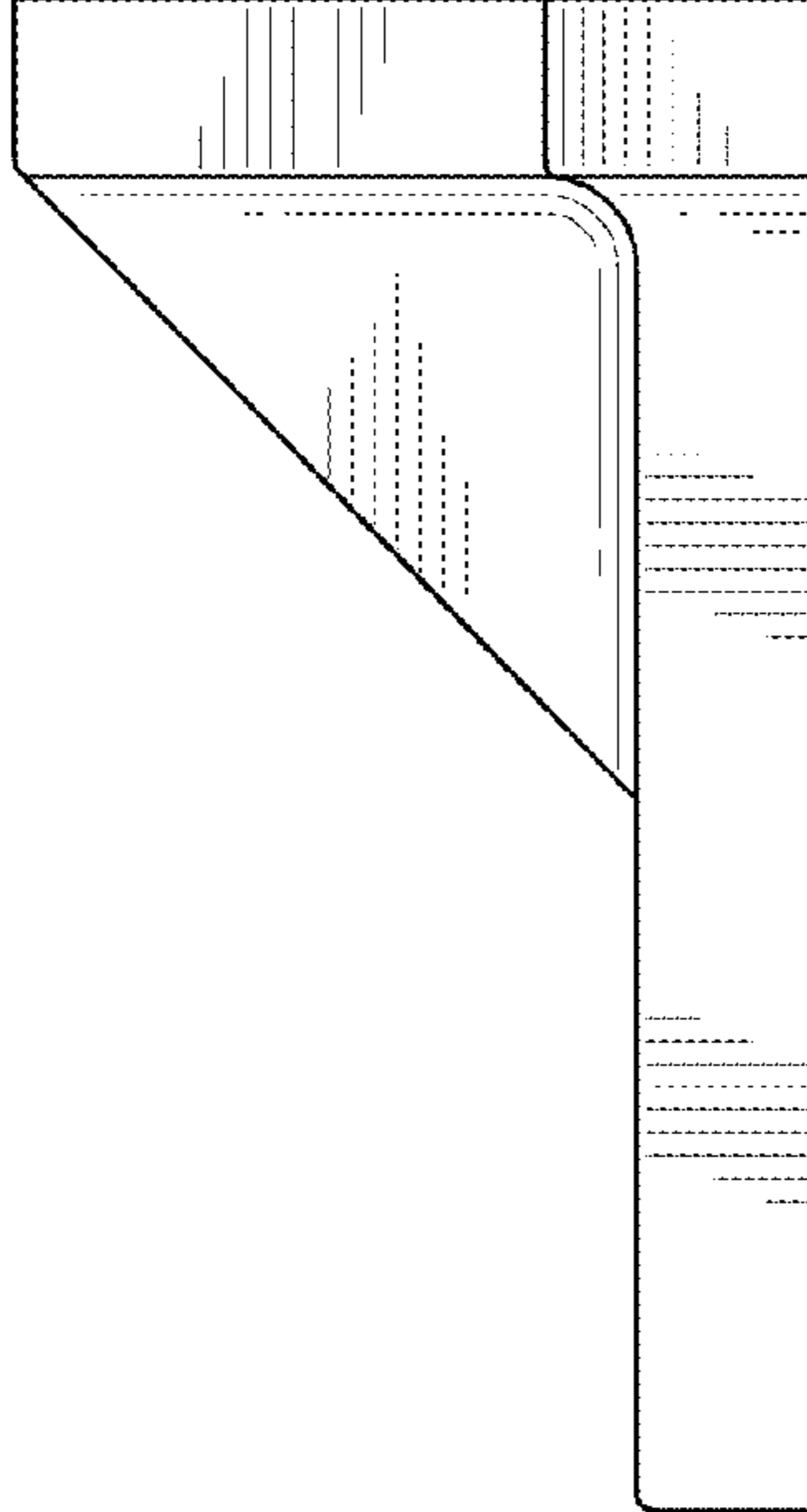


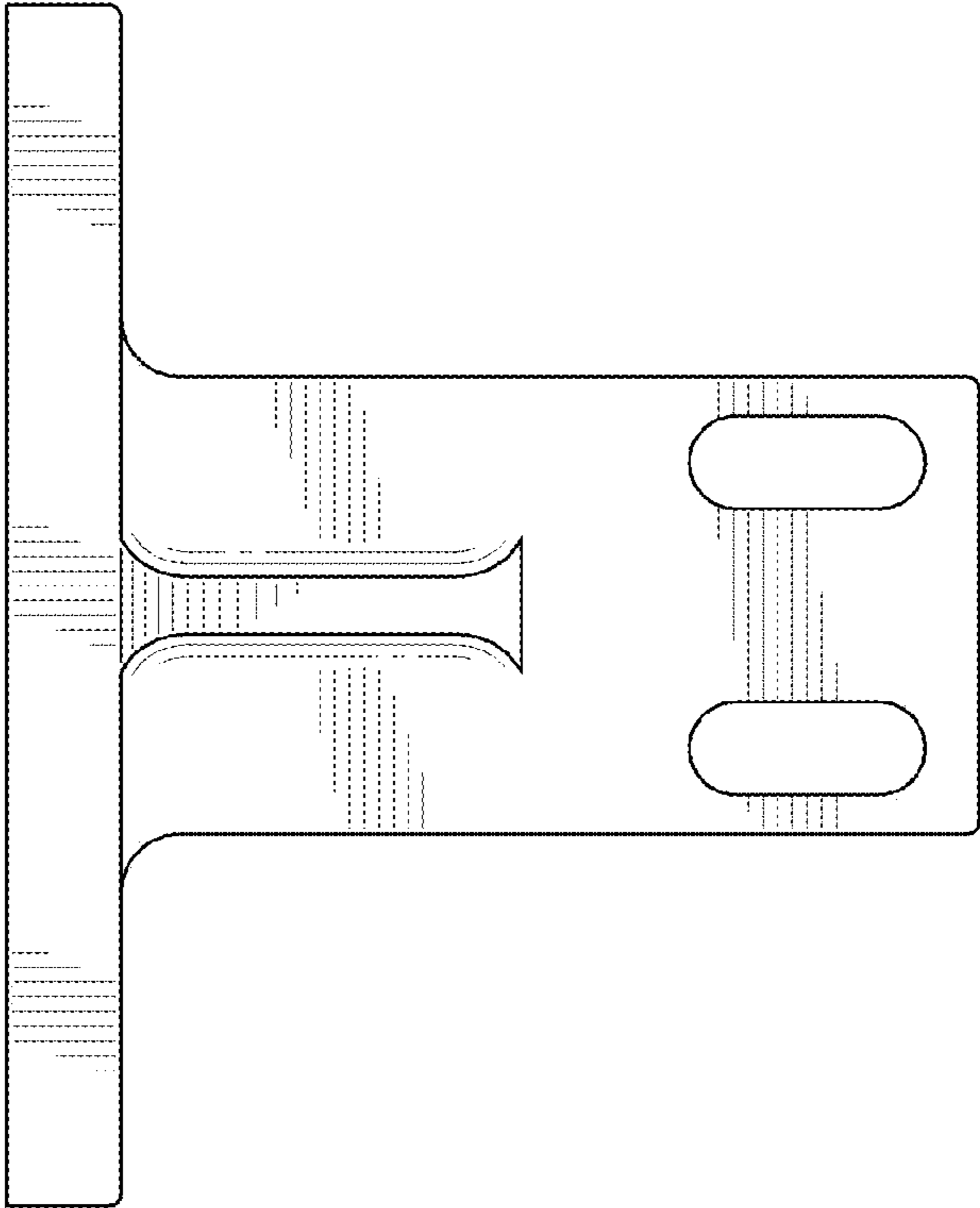
FIG. 3



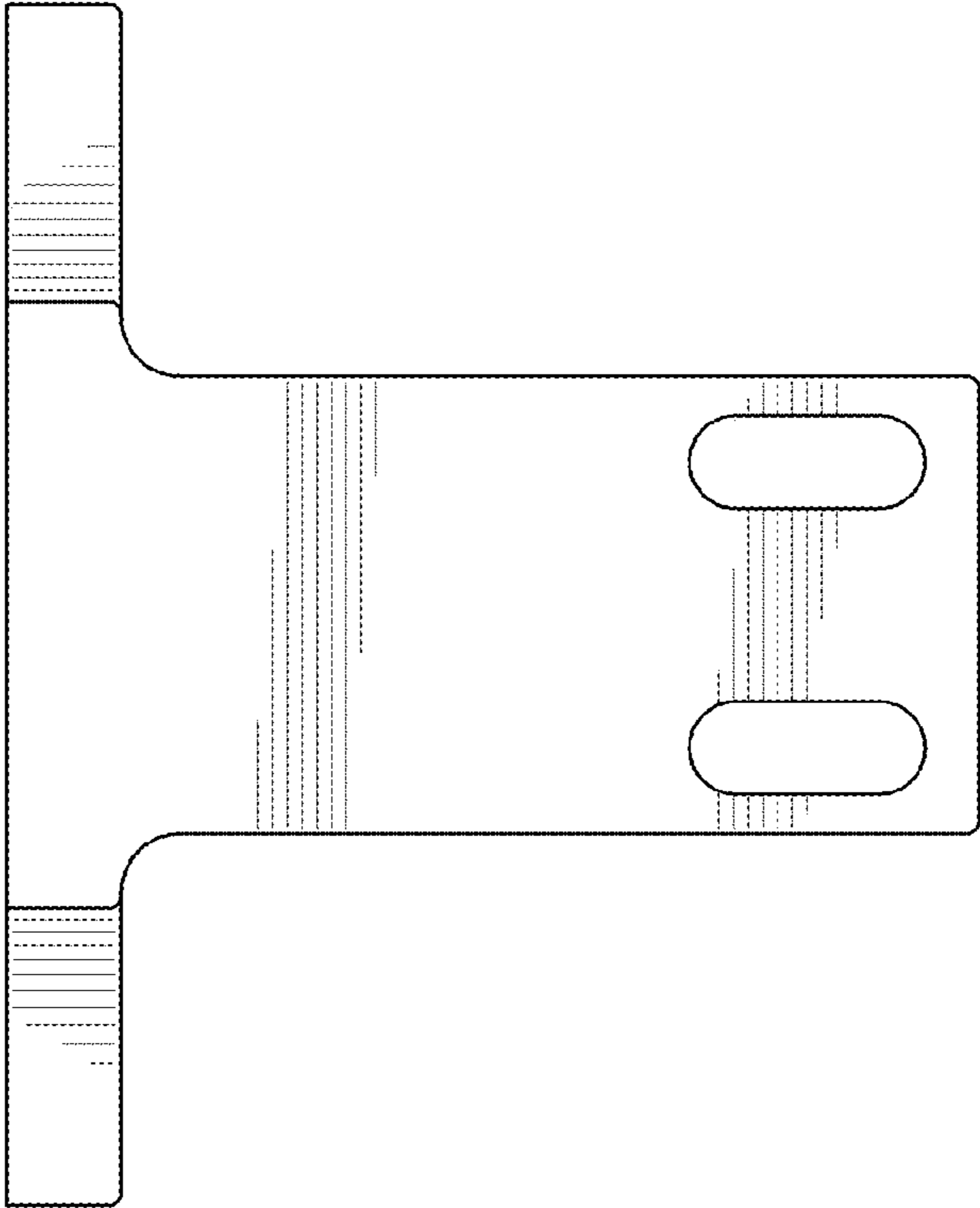
**FIG. 4**



**FIG. 5**



**FIG. 6**



**FIG. 7**