



US00D880977S

(12) **United States Design Patent**
Kukucka et al.

(10) **Patent No.:** **US D880,977 S**
(45) **Date of Patent:** **** Apr. 14, 2020**

(54) **TWIST KNOB OF A TOOL HOLDING DEVICE**

(71) Applicant: **GRIP HOLDINGS LLC**, Brandon, FL (US)

(72) Inventors: **Paul Kukucka**, Brandon, FL (US);
Thomas Stefan Kukucka, Brandon, FL (US)

(73) Assignee: **GRIP HOLDINGS LLC**, Brandon, FL (US)

(**) Term: **15 Years**

(21) Appl. No.: **29/710,559**

(22) Filed: **Oct. 24, 2019**

(51) **LOC (12) Cl.** **08-06**

(52) **U.S. Cl.**
USPC **D8/312**

(58) **Field of Classification Search**
USPC D8/107, 300–312; D12/159;
D23/250–254
CPC . G05G 1/10; G05G 1/08; G05G 5/005; Y10T
74/2084; Y10T 16/506; Y10T 74/18056;
Y10T 403/7056; Y10T 74/20612; Y10T
16/46; Y10T 16/469
See application file for complete search history.

(56) **References Cited**

U.S. PATENT DOCUMENTS

D292,771 S * 11/1987 Kim D8/107
5,228,570 A 7/1993 Robinson
5,467,874 A 11/1995 Whitaker
D416,060 S * 11/1999 Angeles D21/694
D424,401 S * 5/2000 Ziemer D8/312

D443,032 S * 5/2001 Milrud D23/250
D475,269 S * 6/2003 Matern D8/312
9,186,790 B1 11/2015 Kao
D816,622 S * 5/2018 Feng D13/174
10,016,889 B2 7/2018 Kao
10,421,175 B2 9/2019 Chou
2011/0089126 A1 4/2011 Hsieh
2013/0062480 A1 3/2013 Kao
2014/0056022 A1* 2/2014 Camli G05G 1/105
362/551
2018/0056259 A1* 3/2018 Roberts C12G 1/00
2019/0041893 A1* 2/2019 Livolsi G05G 5/06

* cited by examiner

Primary Examiner — Lauren R Calve

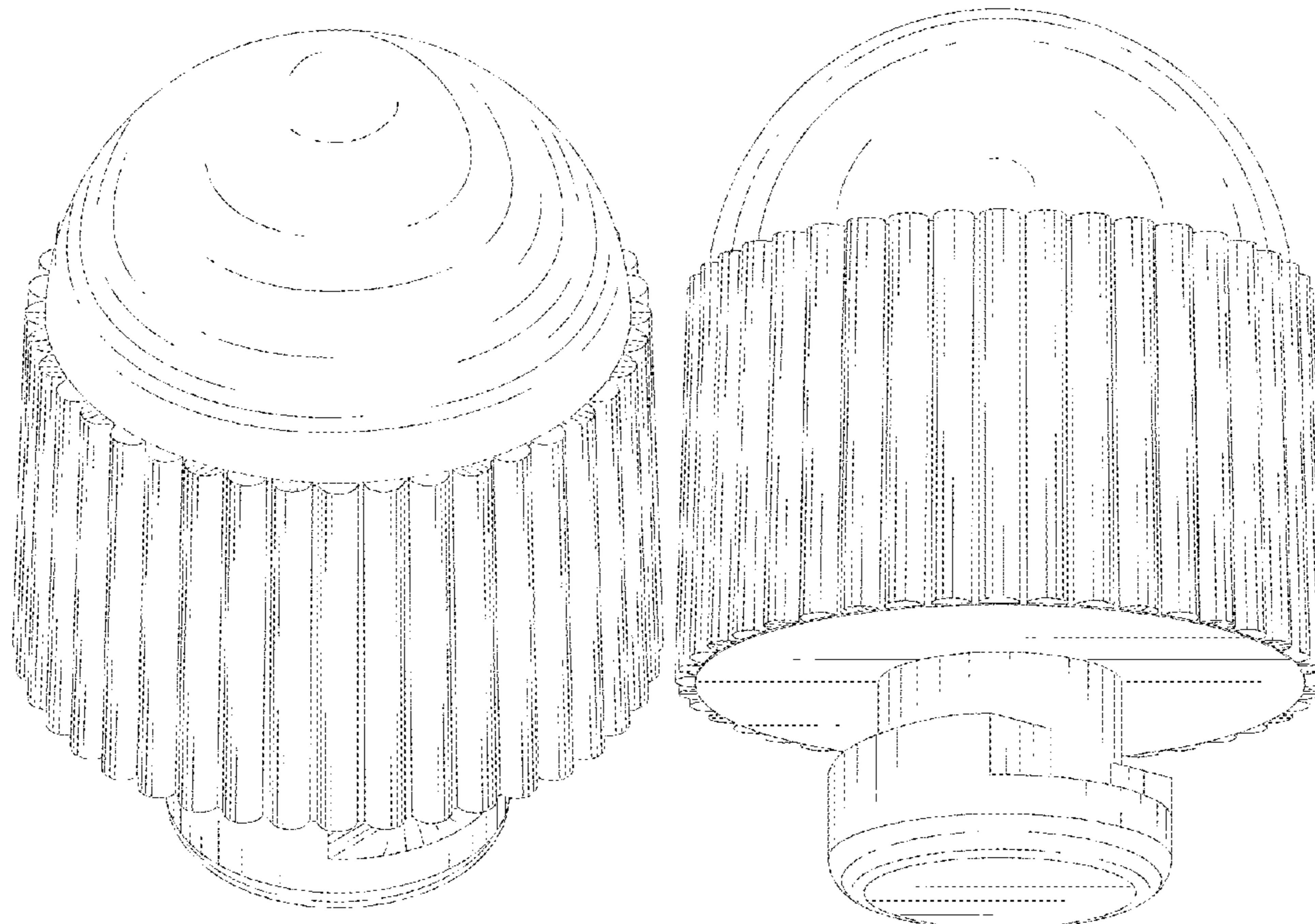
(57) **CLAIM**

The ornamental design for a twist knob of a tool holding device, as shown and described.

DESCRIPTION

FIG. 1 is a top perspective view of a twist knob of a tool holding device;
FIG. 2 is a bottom perspective view thereof;
FIG. 3 is a front elevational view thereof;
FIG. 4 is a rear elevational view thereof;
FIG. 5 is a right-side elevational view thereof;
FIG. 6 is a left-side elevational view thereof;
FIG. 7 is a top plan view thereof;
FIG. 8 is a bottom plan view thereof; and,
FIG. 9 is an exploded top perspective view thereof, showing an elongated channel body of a tool holding device that is configured to engaged with a shaft of the twist knob.
The broken line showing of the elongated channel body in FIG. 9 is included for the purpose of showing environmental structure and forms no part of the claimed design.

1 Claim, 9 Drawing Sheets



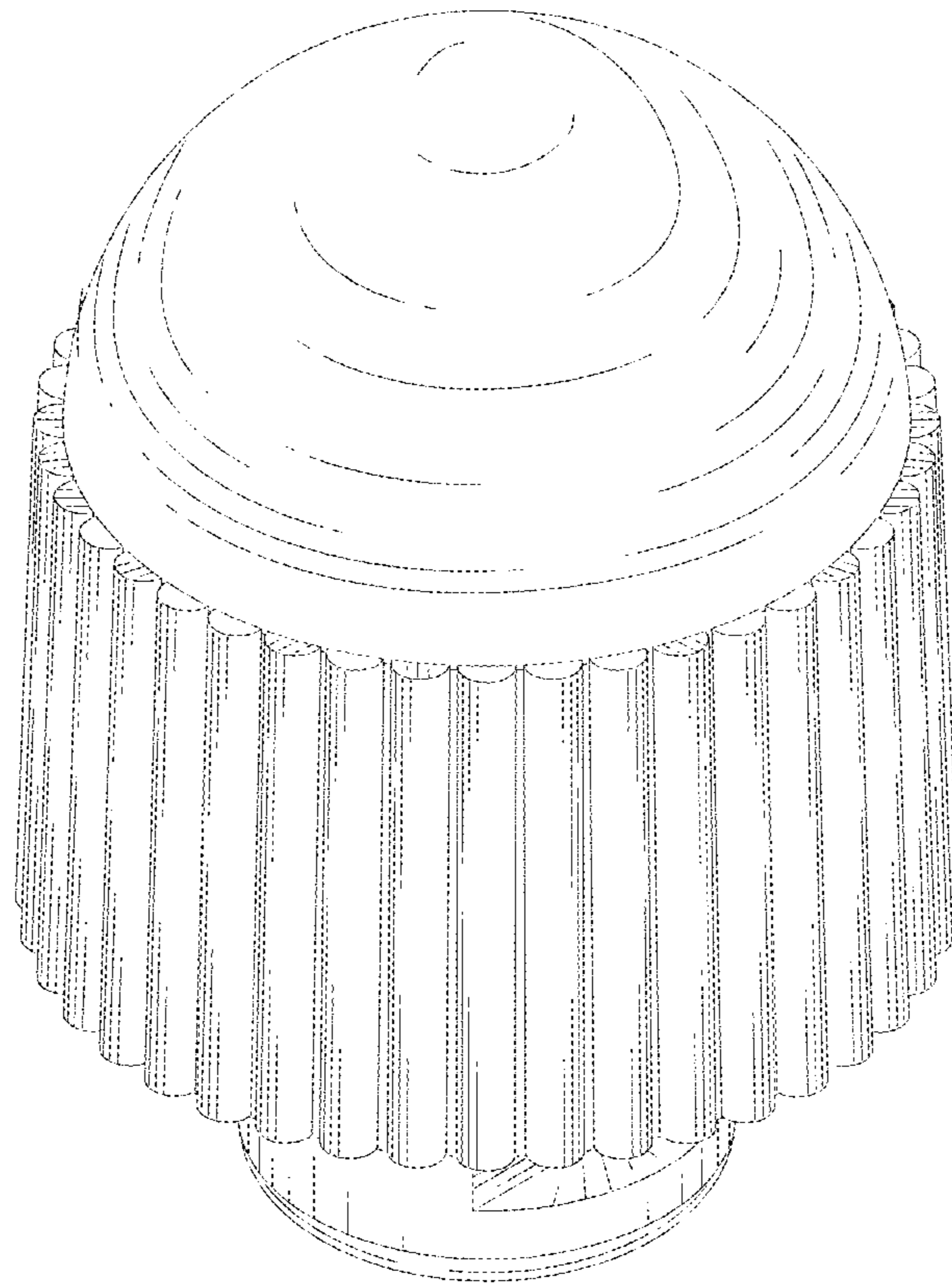


FIG. 1

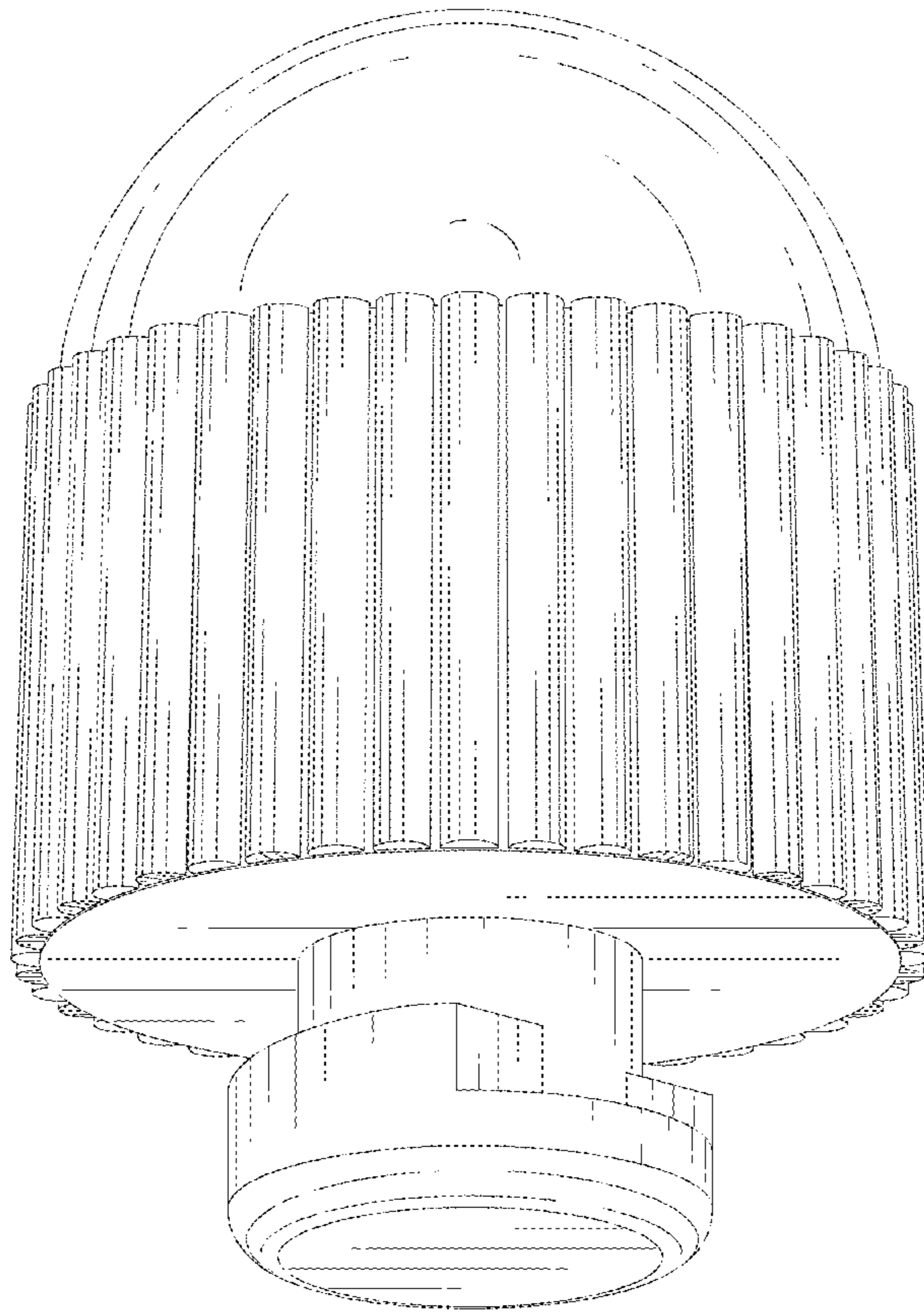


FIG. 2

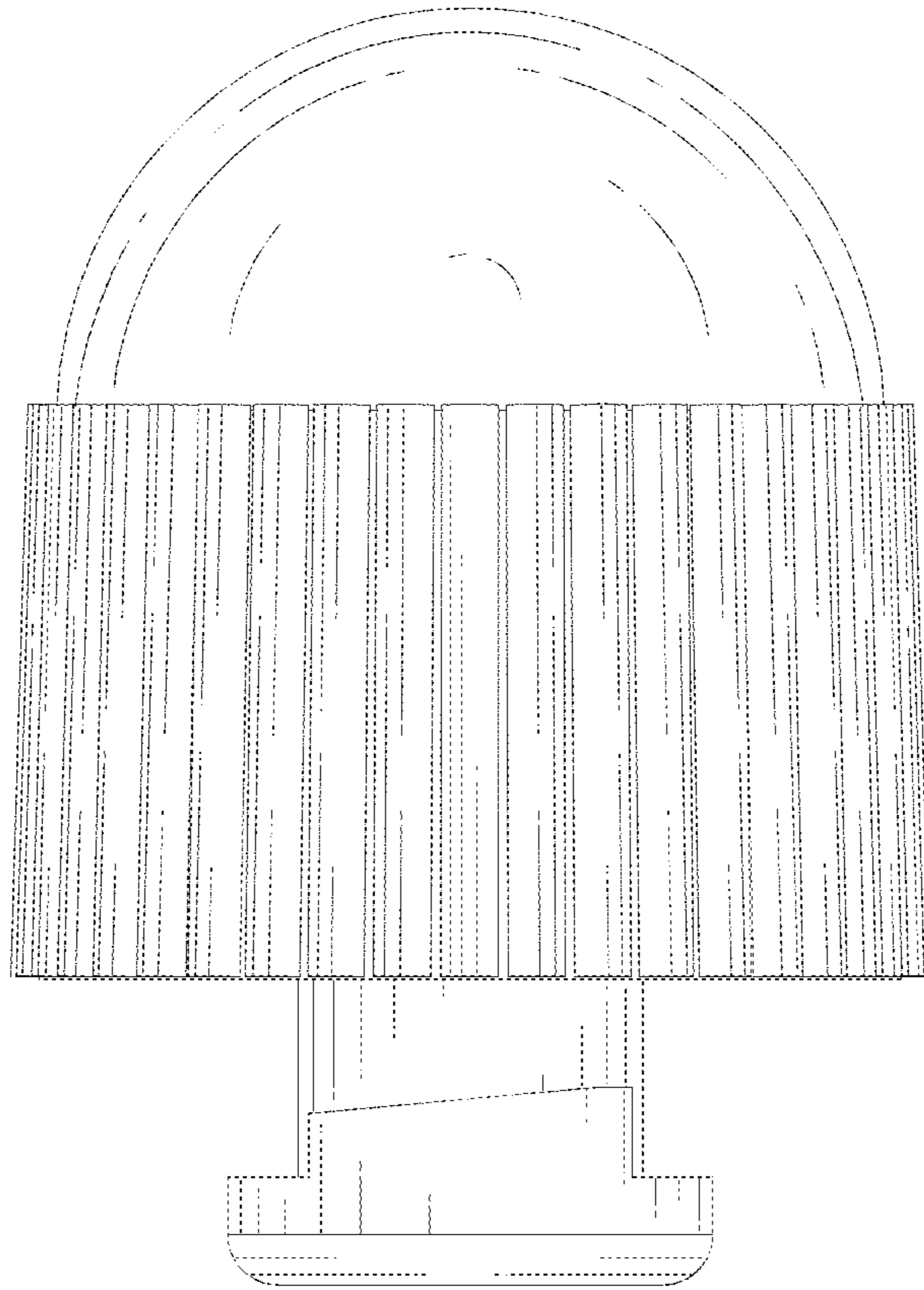


FIG. 3

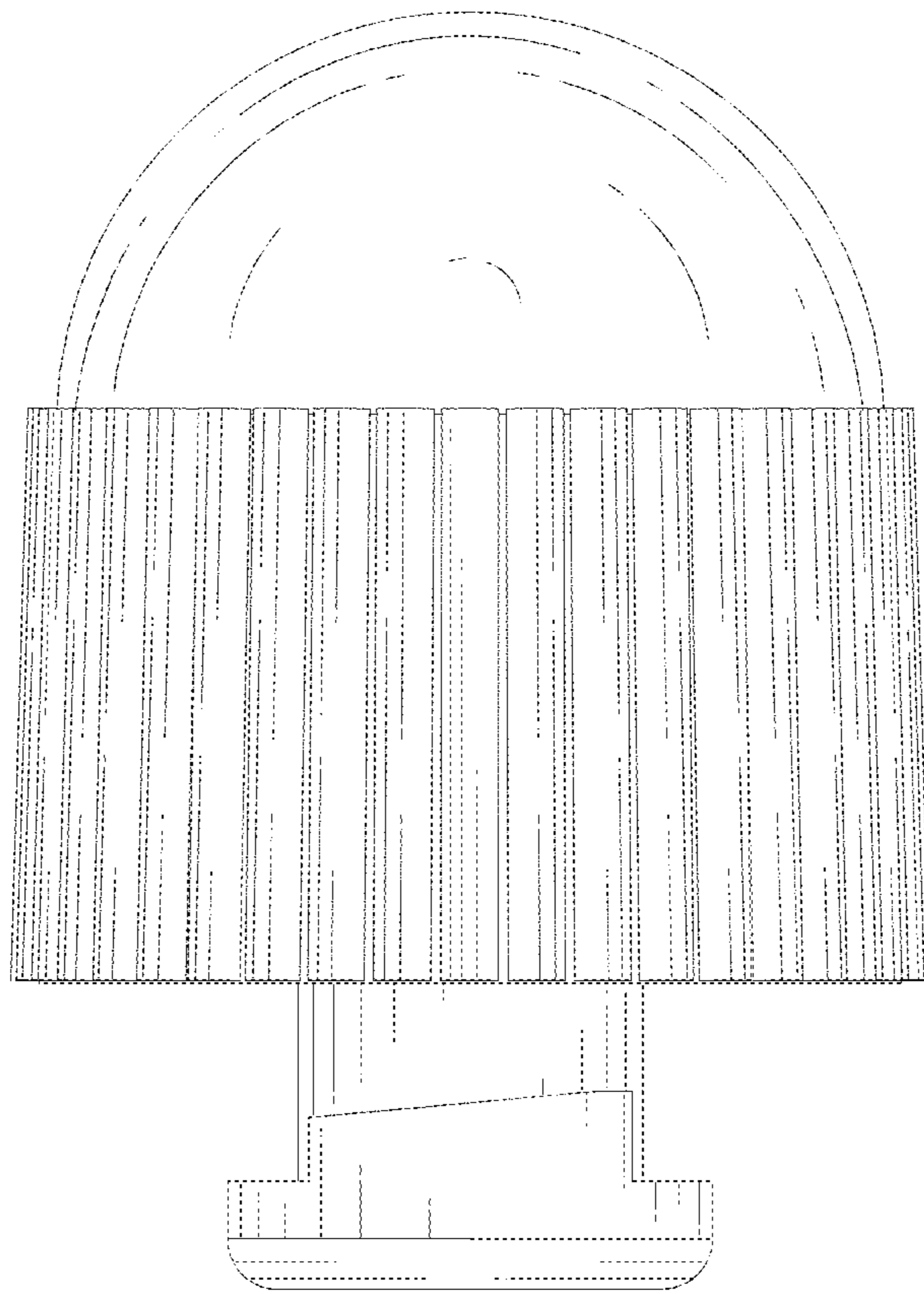


FIG. 4

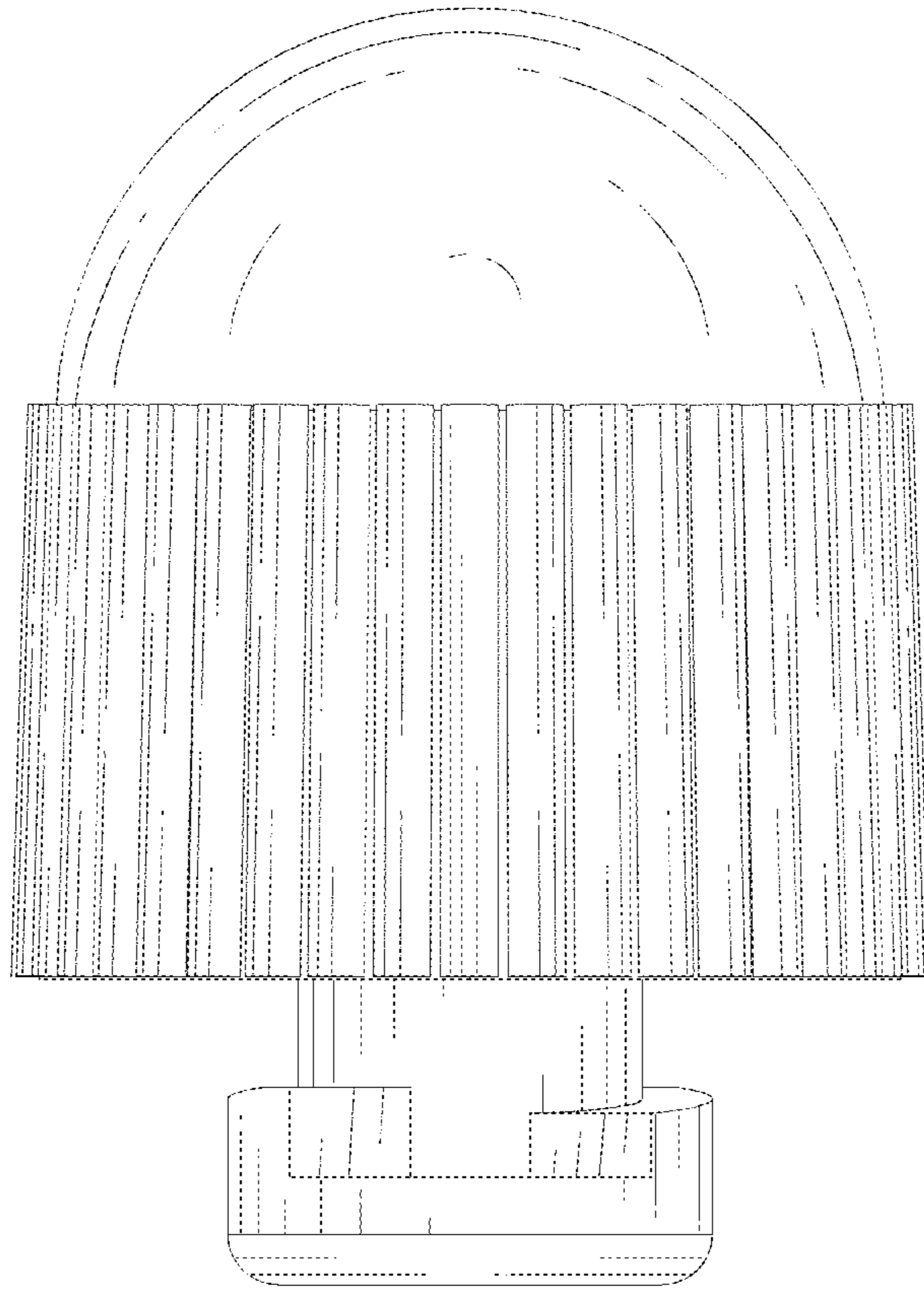


FIG. 5

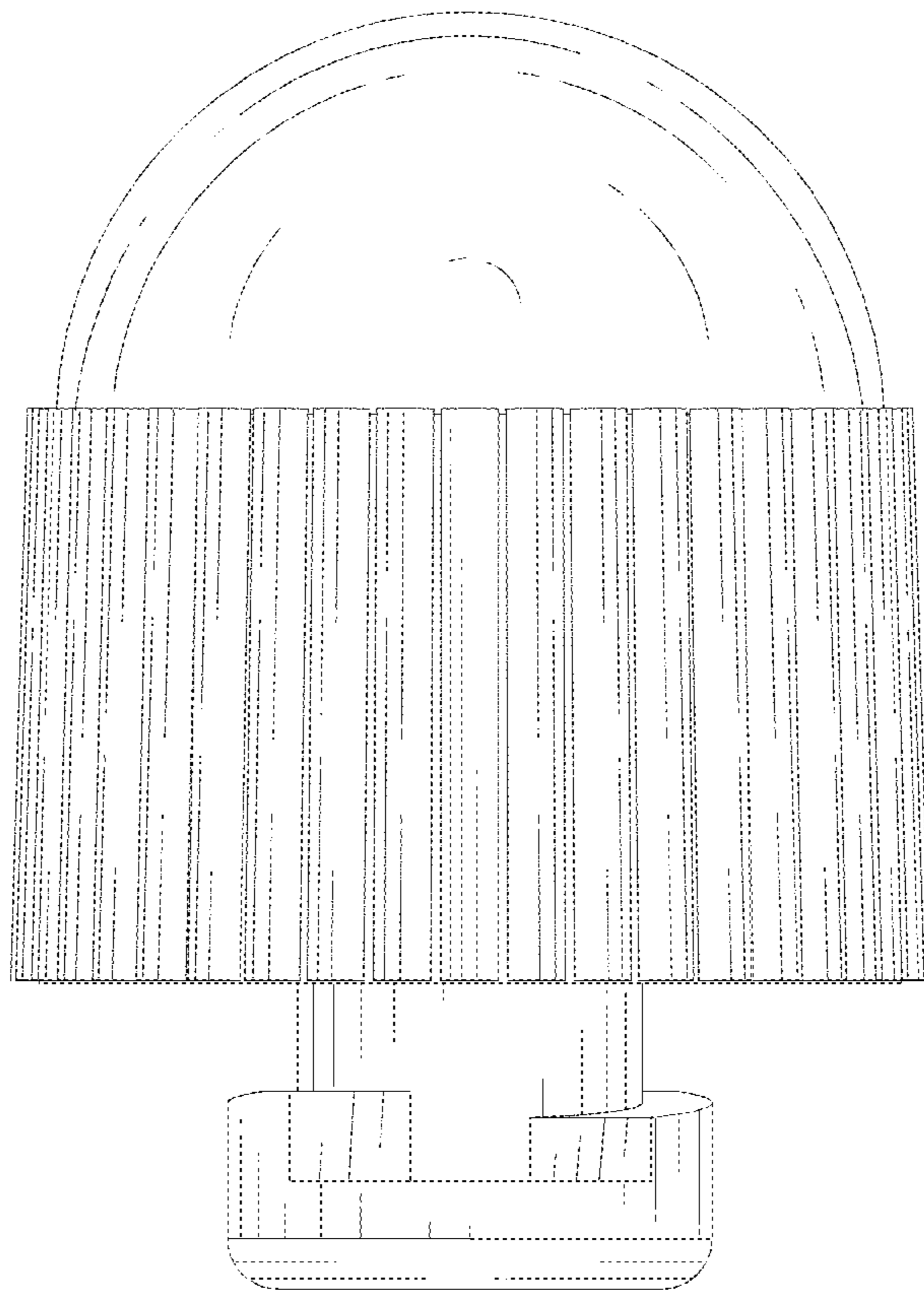


FIG. 6

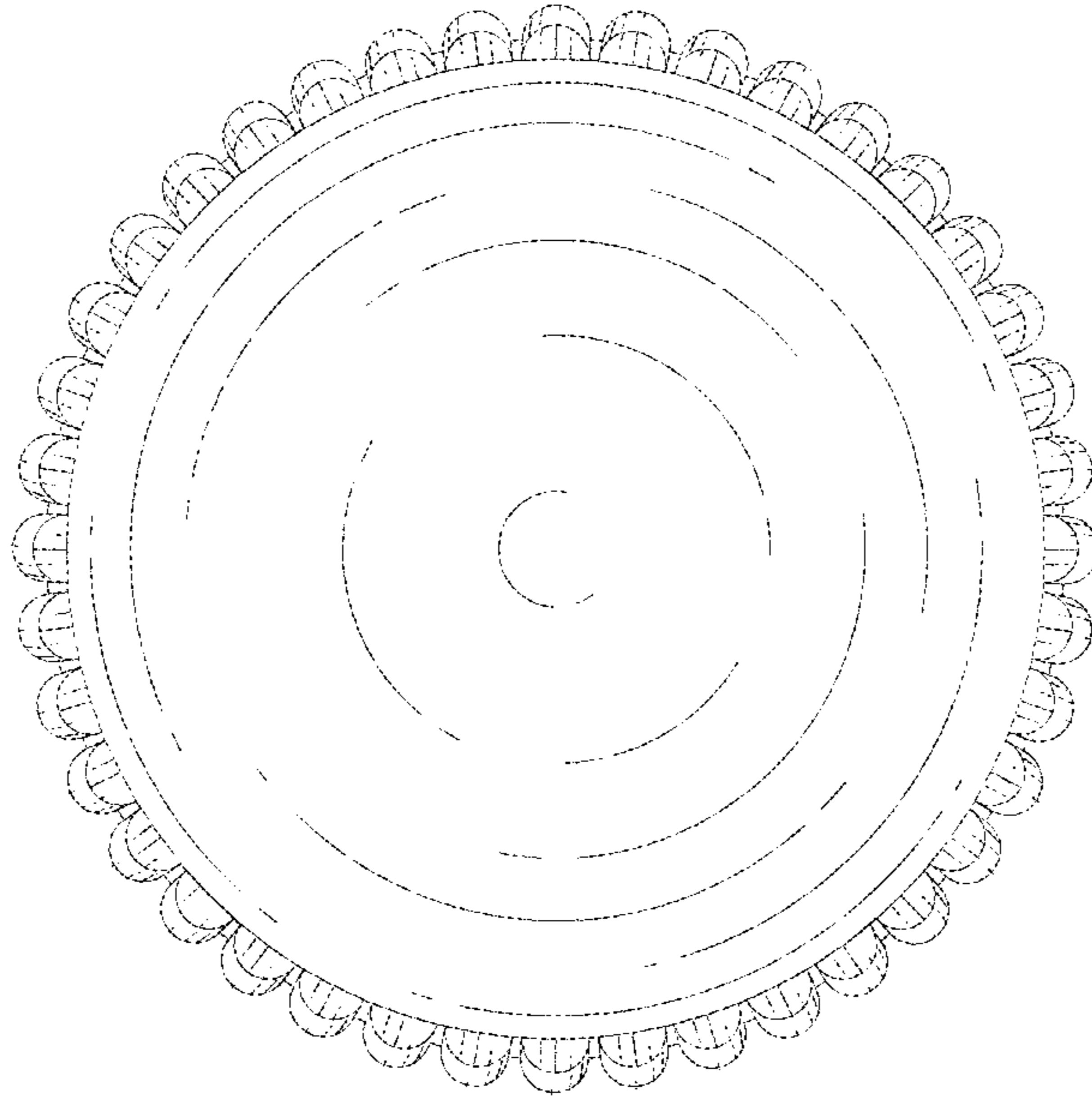


FIG. 7

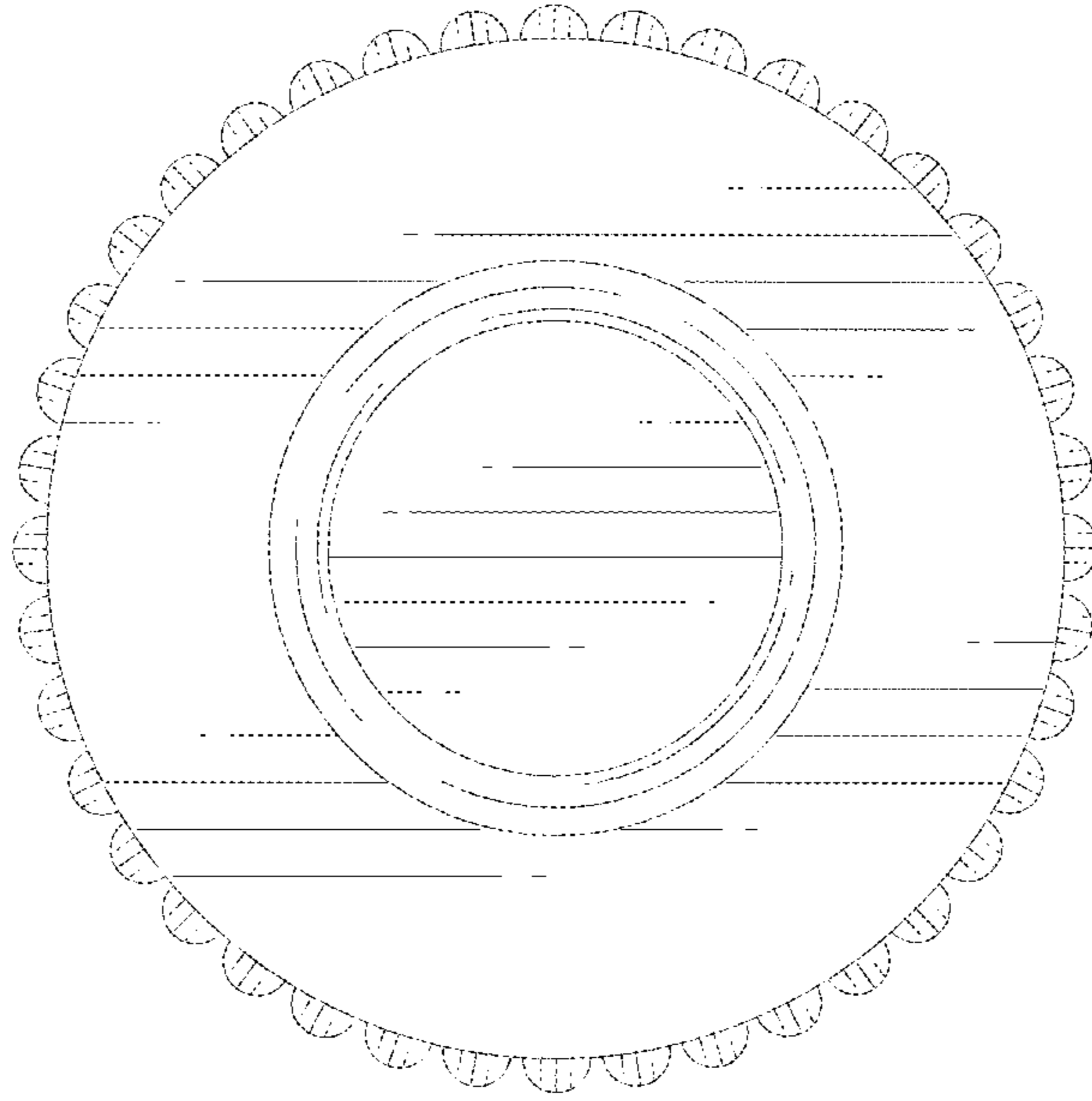


FIG. 8

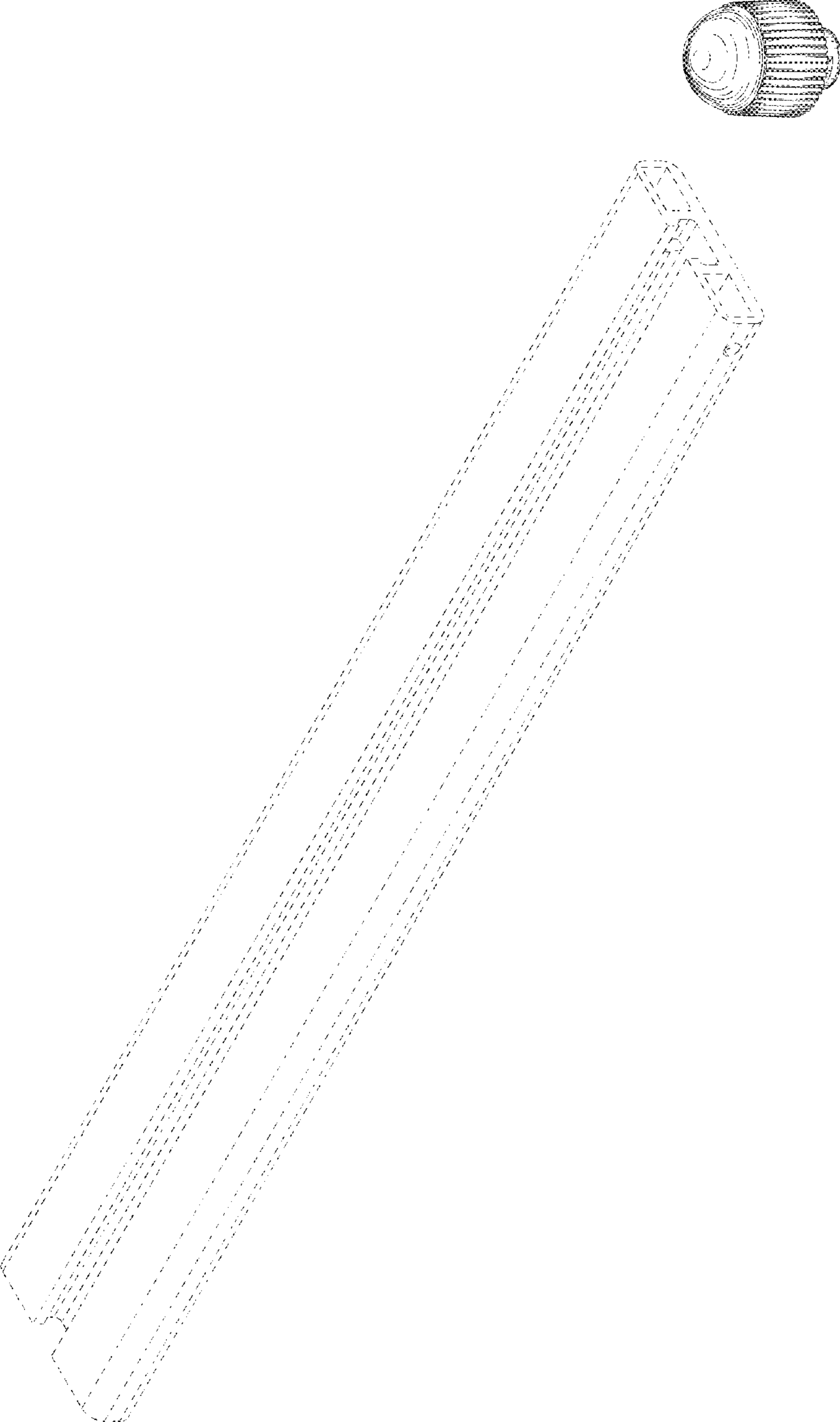


FIG. 9