



US00D880975S

(12) **United States Design Patent**
Heine et al.

(10) **Patent No.:** **US D880,975 S**
(45) **Date of Patent:** **** Apr. 14, 2020**

(54) **HANDLE FOR CUTTING TOOL**

(71) Applicant: **Fiskars Finland Oy Ab**, Helsinki (FI)

(72) Inventors: **Mikko Heine**, Helsinki (FI); **Kari Kunnas**, Helsinki (FI); **Sami Lyytikäinen**, Helsinki (FI); **Petteri Masalin**, Helsinki (FI)

(73) Assignee: **FISKARS FINLAND OY AB**, Helsinki (FI)

(**) Term: **15 Years**

(21) Appl. No.: **29/705,192**

(22) Filed: **Sep. 10, 2019**

Related U.S. Application Data

(62) Division of application No. 29/602,891, filed on May 4, 2017.

(30) **Foreign Application Priority Data**

Nov. 7, 2016 (EM) 003450964

(51) **LOC (12) Cl.** **08-06**

(52) **U.S. Cl.**
USPC **D8/107; D8/7**

(58) **Field of Classification Search**
USPC D8/1, 4, 6, 7, 51, 52, 107

(Continued)

(56) **References Cited**

U.S. PATENT DOCUMENTS

875,159 A 12/1907 Crow
967,502 A 8/1910 Cooper
(Continued)

Primary Examiner — Sandra S Snapp
Assistant Examiner — Ieisha N Price

(74) *Attorney, Agent, or Firm* — Leason Ellis LLP

(57) **CLAIM**

We claim the ornamental design for a handle for cutting tool, as shown and described.

DESCRIPTION

The patent or application file contains at least one drawing executed in color. Copies of this patent or patent application publication with color drawing(s) will be provided by the Office upon request and payment of the necessary fee.

FIG. 1 is a top perspective view of a handle for cutting tool showing our new design;

FIG. 2 is front view thereof;

FIG. 3 is a rear view thereof;

FIG. 4 is a left side view thereof;

FIG. 5 is a right side view thereof;

FIG. 6 is a top view thereof;

FIG. 7 is a bottom view thereof;

FIG. 8 is a top perspective view of a second embodiment of the handle for cutting tool;

FIG. 9 is front view thereof;

FIG. 10 is a rear view thereof;

FIG. 11 is a left side view thereof;

FIG. 12 is a right side view thereof;

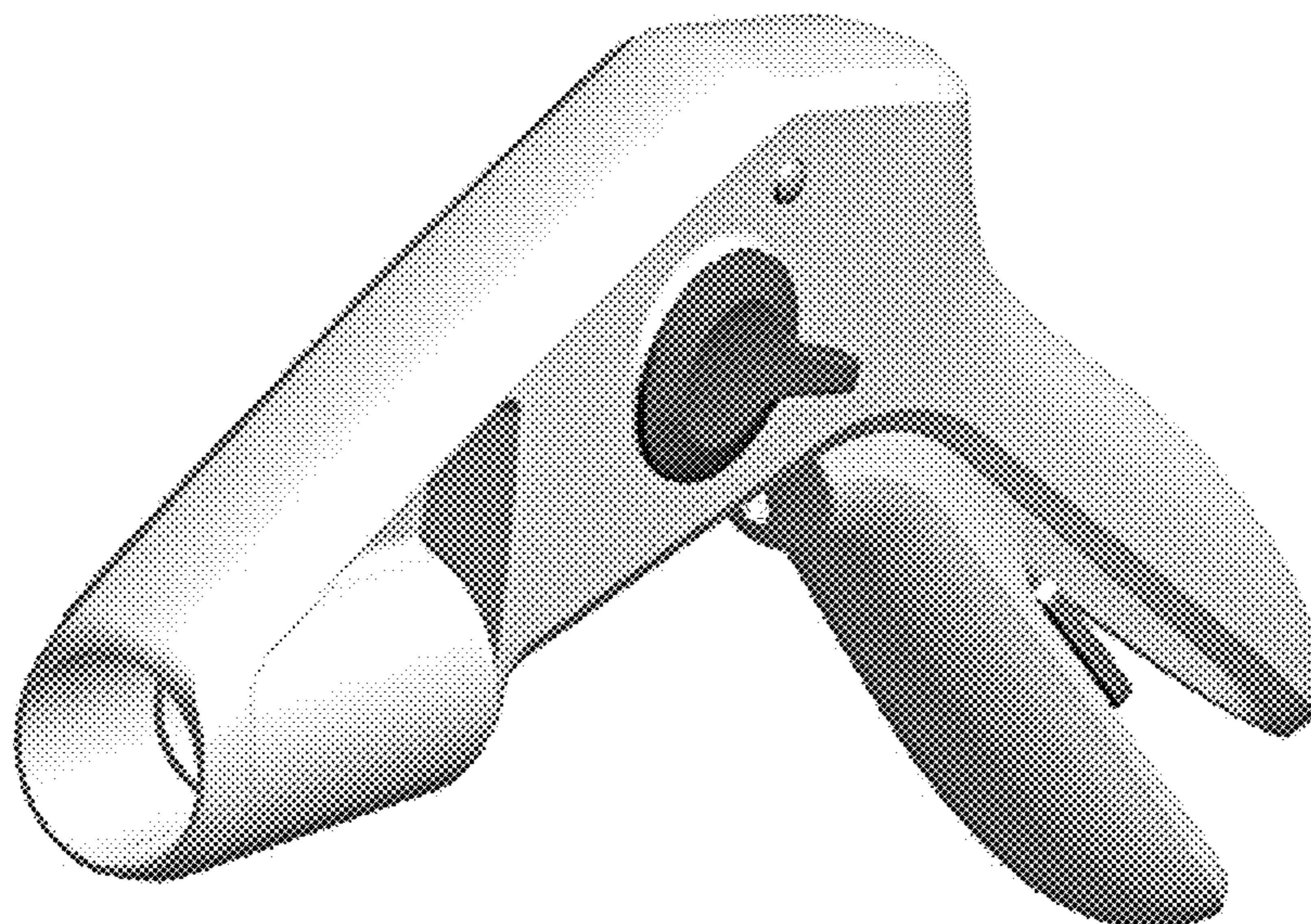
FIG. 13 is a top view thereof; and,

FIG. 14 is a bottom view thereof.

The broken lines and the de-emphasized areas within them depict portions of the handle for cutting tool that form no part of the claimed design.

The superimposed areas encased in broken lines, shown in embodiment 1, illustrate portions of the handle for cutting tool and form no part of the claimed design. The dot-dot-dash line rendered in FIG. 7 of embodiment 1 and FIG. 14 of embodiment 2 define the bounds of the claim and form no part thereof. The broken lines rendered in the drawings of embodiment 2 illustrate portions of the handle for cutting tool and form no part of the claimed design.

1 Claim, 8 Drawing Sheets
(4 of 8 Drawing Sheet(s) Filed in Color)



(58) **Field of Classification Search**
 CPC A01G 3/0255; A01G 3/02; A01G 3/021;
 A01G 3/0475; A01G 3/025; B26B 15/00
 See application file for complete search history.

(56) **References Cited**

U.S. PATENT DOCUMENTS

1,557,853 A 10/1925 Lipscomb
 1,697,749 A 1/1929 Billings
 2,025,254 A * 12/1935 Stuart A01B 1/18
 294/50.9
 2,795,034 A 6/1957 Forgette
 D211,196 S * 5/1968 Hollis D8/4
 3,384,962 A * 5/1968 Duffy A01G 3/06
 30/248
 D215,806 S * 11/1969 Clark D8/4
 D295,017 S 4/1988 Evenson
 D329,796 S 9/1992 Olson et al.
 D367,416 S 2/1996 Gustafson et al.
 D369,444 S * 4/1996 Ubdegrove D30/162
 D379,422 S 5/1997 Yates et al.
 5,950,315 A 9/1999 Linden
 D429,130 S 8/2000 Fallandy
 D473,764 S * 4/2003 Wu D8/5
 D480,281 S * 10/2003 Ota D8/1

6,748,663 B2 6/2004 Linden
 D494,039 S 8/2004 Tsai
 D519,821 S 5/2006 Tsai
 D551,530 S 9/2007 Hirsch
 D570,659 S 6/2008 Lin
 D592,482 S 5/2009 Gregory
 D599,172 S 9/2009 Wang et al.
 D599,626 S 9/2009 Wang et al.
 D630,927 S 1/2011 Huang
 D632,858 S 2/2011 Sgroi et al.
 D636,956 S 4/2011 Sgroi et al.
 8,060,987 B1 * 11/2011 Troutd B25G 1/04
 16/427
 D655,815 S 3/2012 Miller et al.
 D743,770 S 11/2015 Hsieh
 D754,517 S 4/2016 Henderson
 D773,276 S 12/2016 Ou
 9,872,591 B2 1/2018 Casavan
 2003/0145470 A1 * 8/2003 Huang A01G 3/065
 30/249
 2004/0194320 A1 * 10/2004 Hsieh A01G 3/0255
 30/250
 2006/0225289 A1 10/2006 Glodowski
 2010/0186559 A1 7/2010 Pell
 2010/0299936 A1 * 12/2010 Chen A01G 3/08
 30/199

* cited by examiner

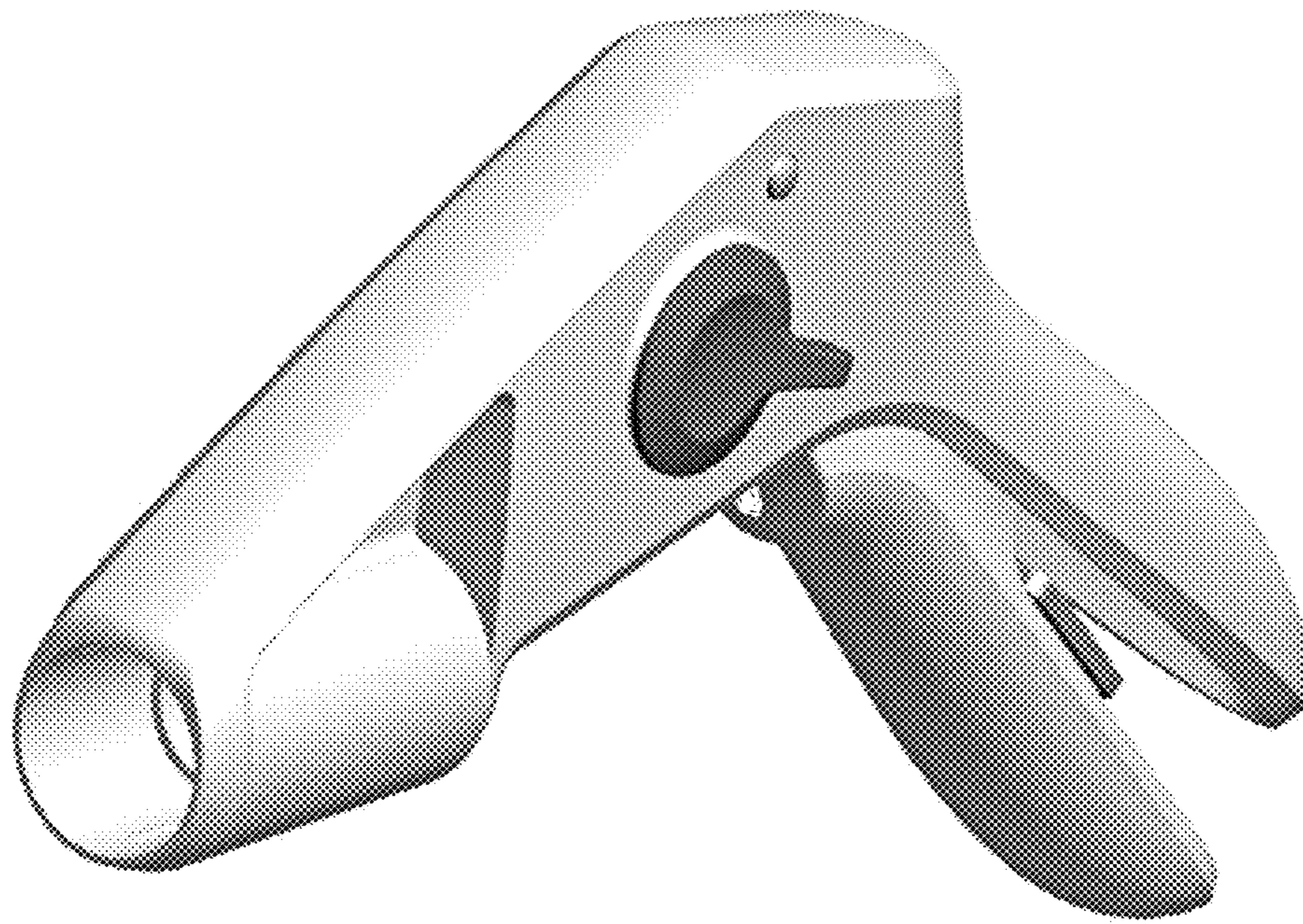


FIG. 1

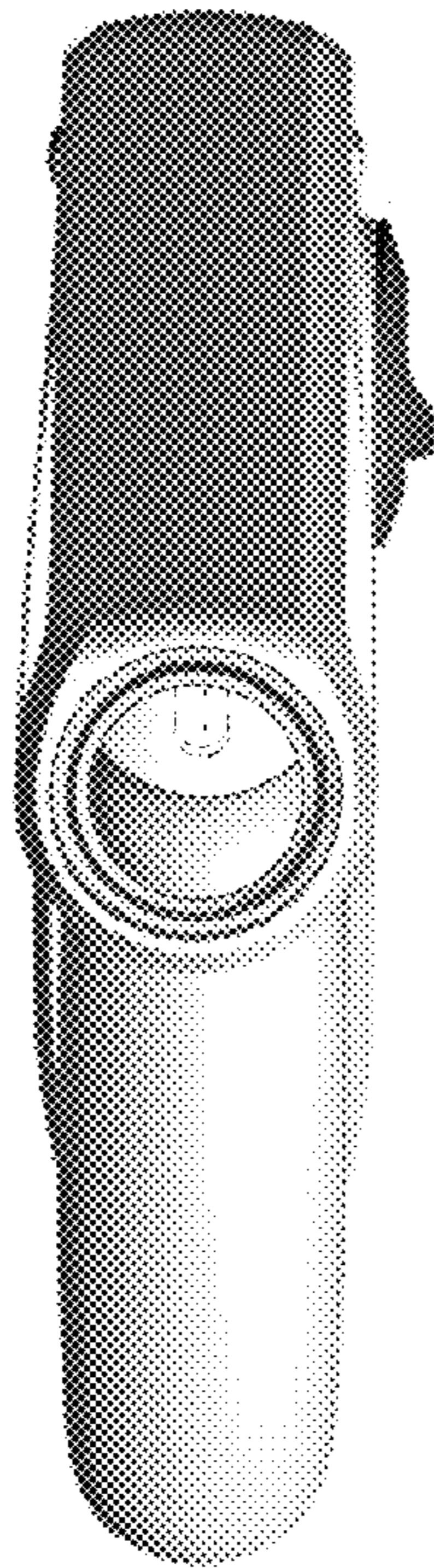


FIG. 2

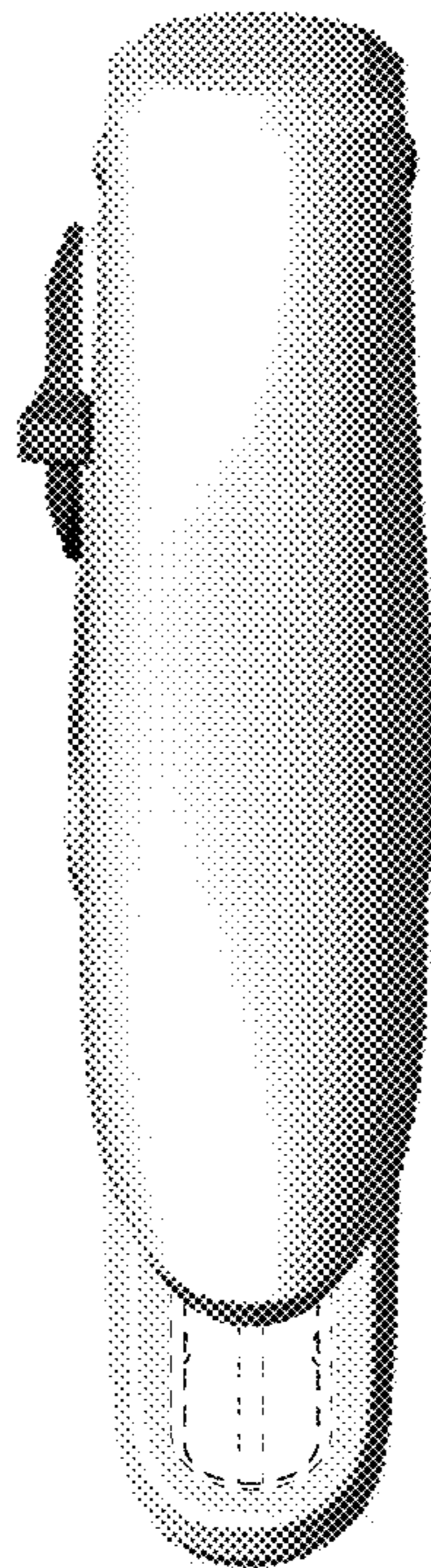


FIG. 3

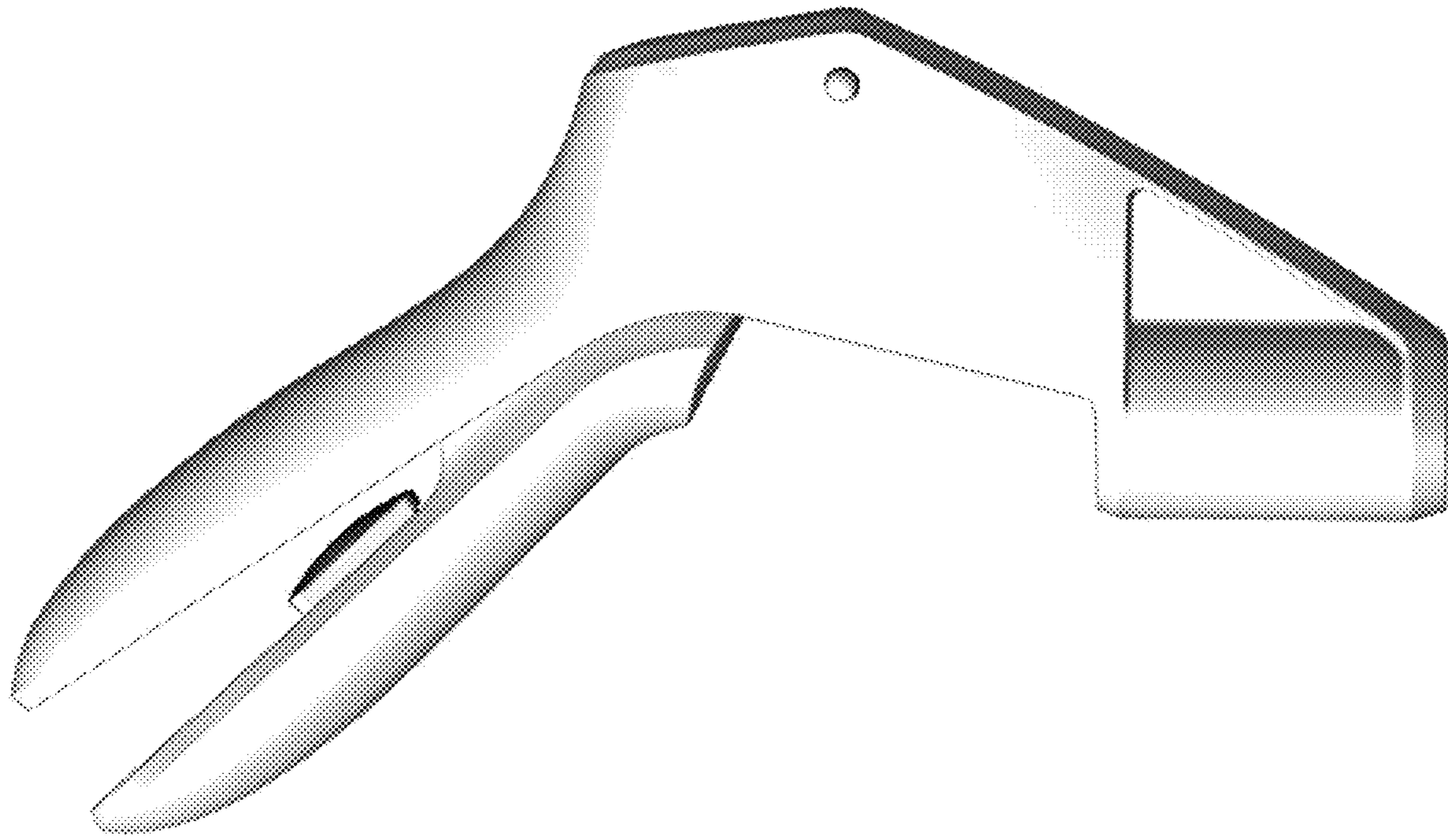


FIG. 4

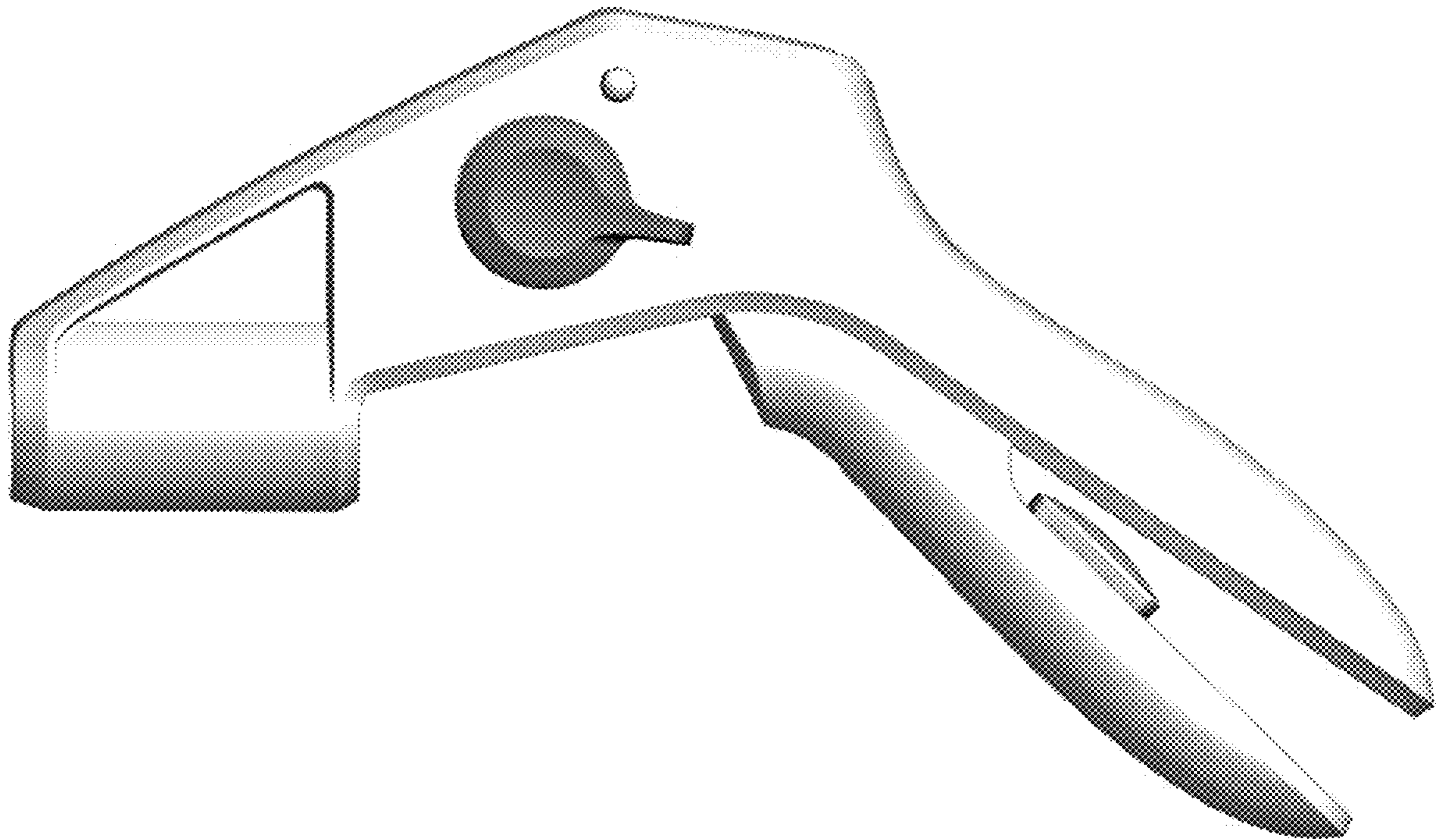


FIG. 5

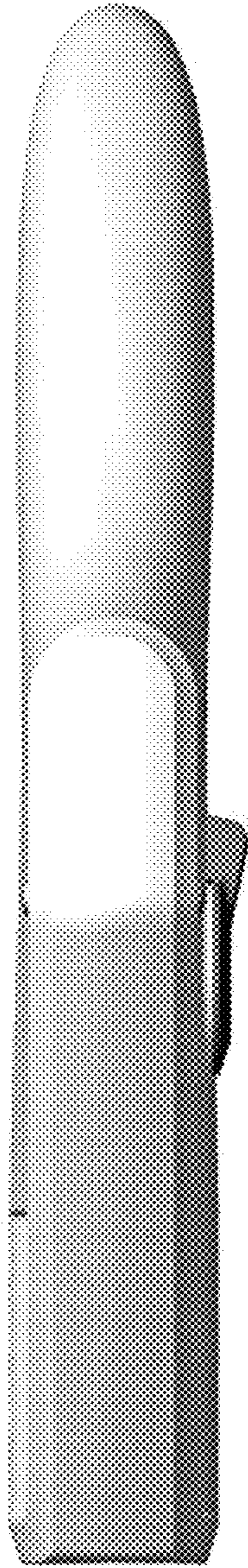


FIG. 6

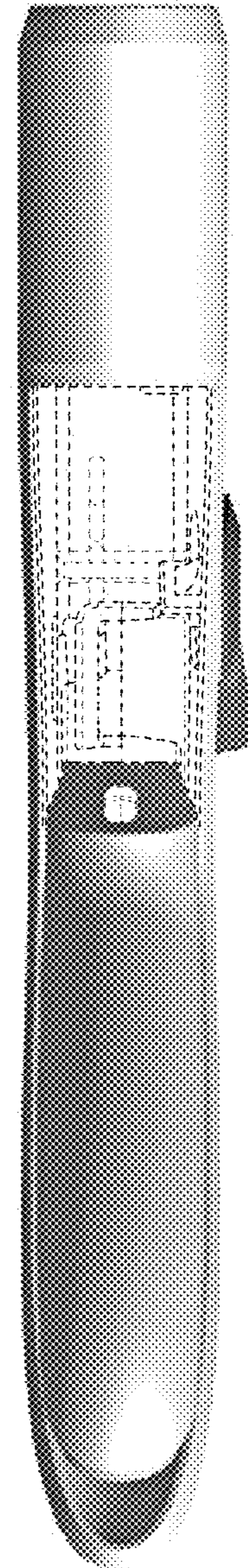


FIG. 7

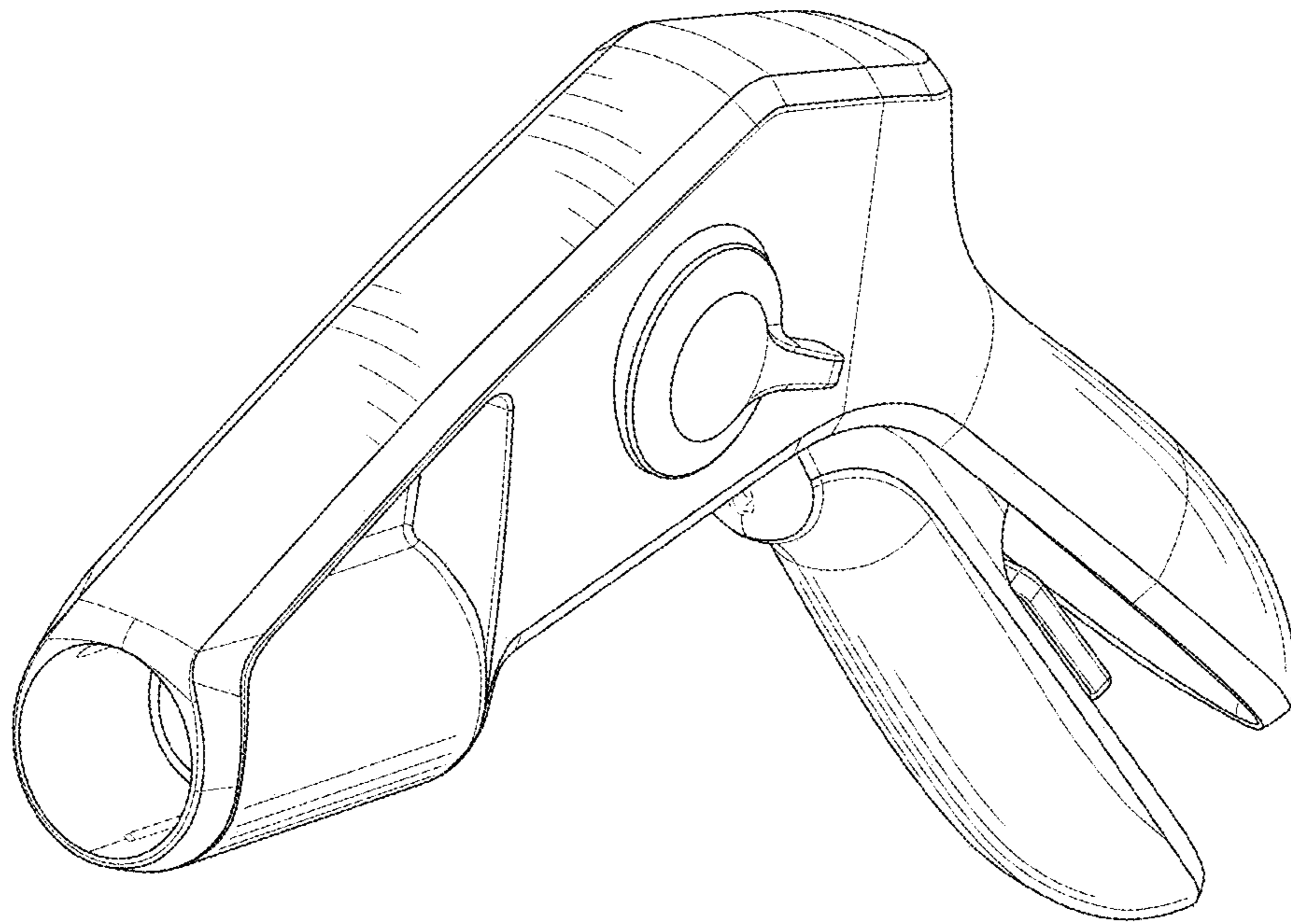


FIG. 8

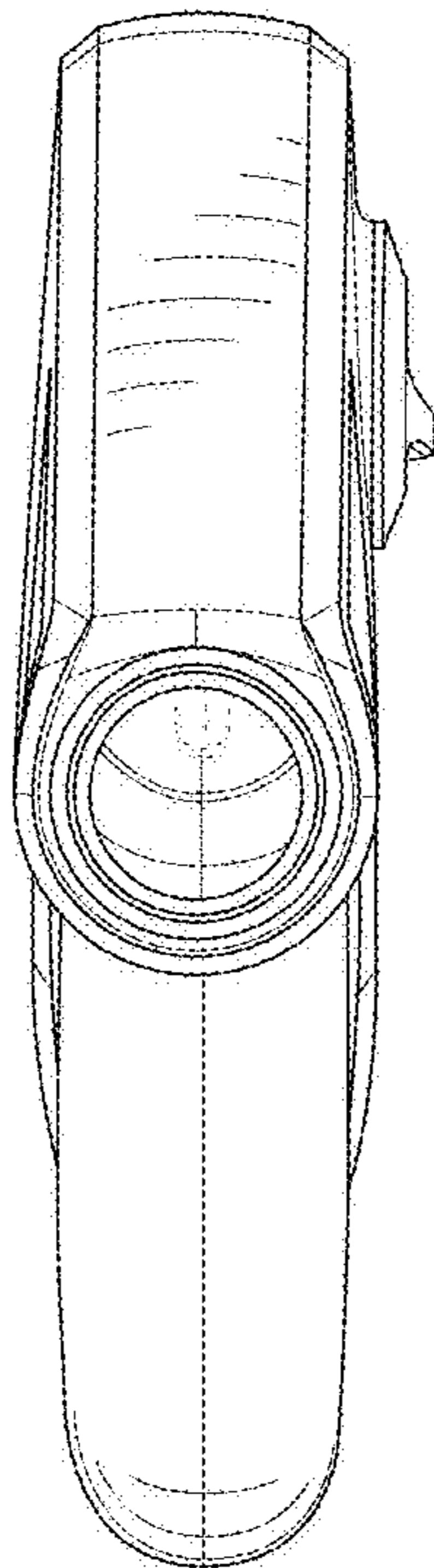


FIG. 9

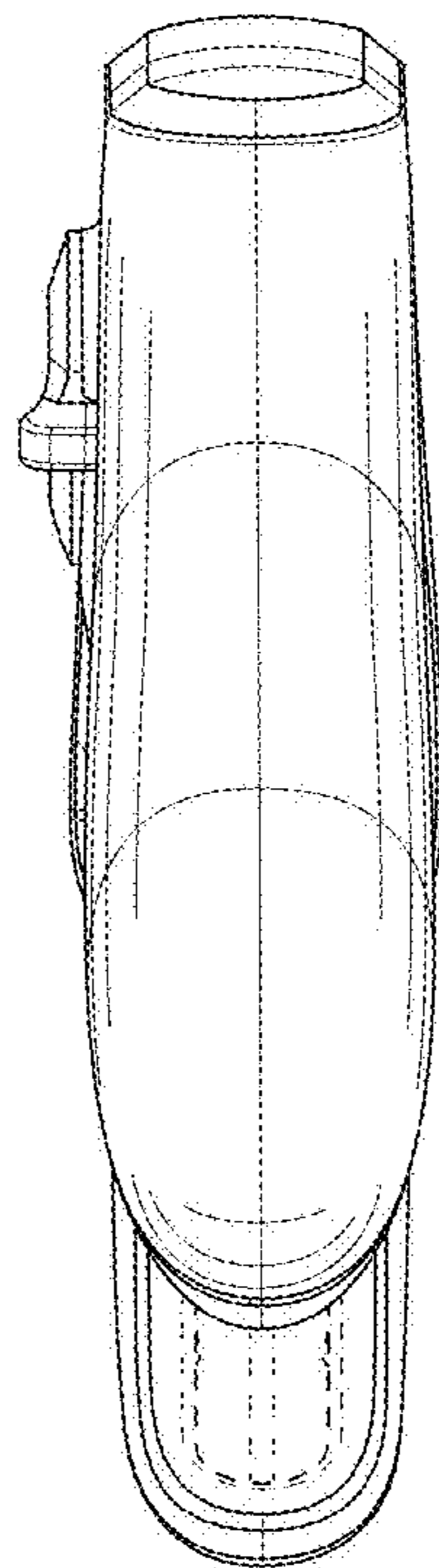


FIG. 10

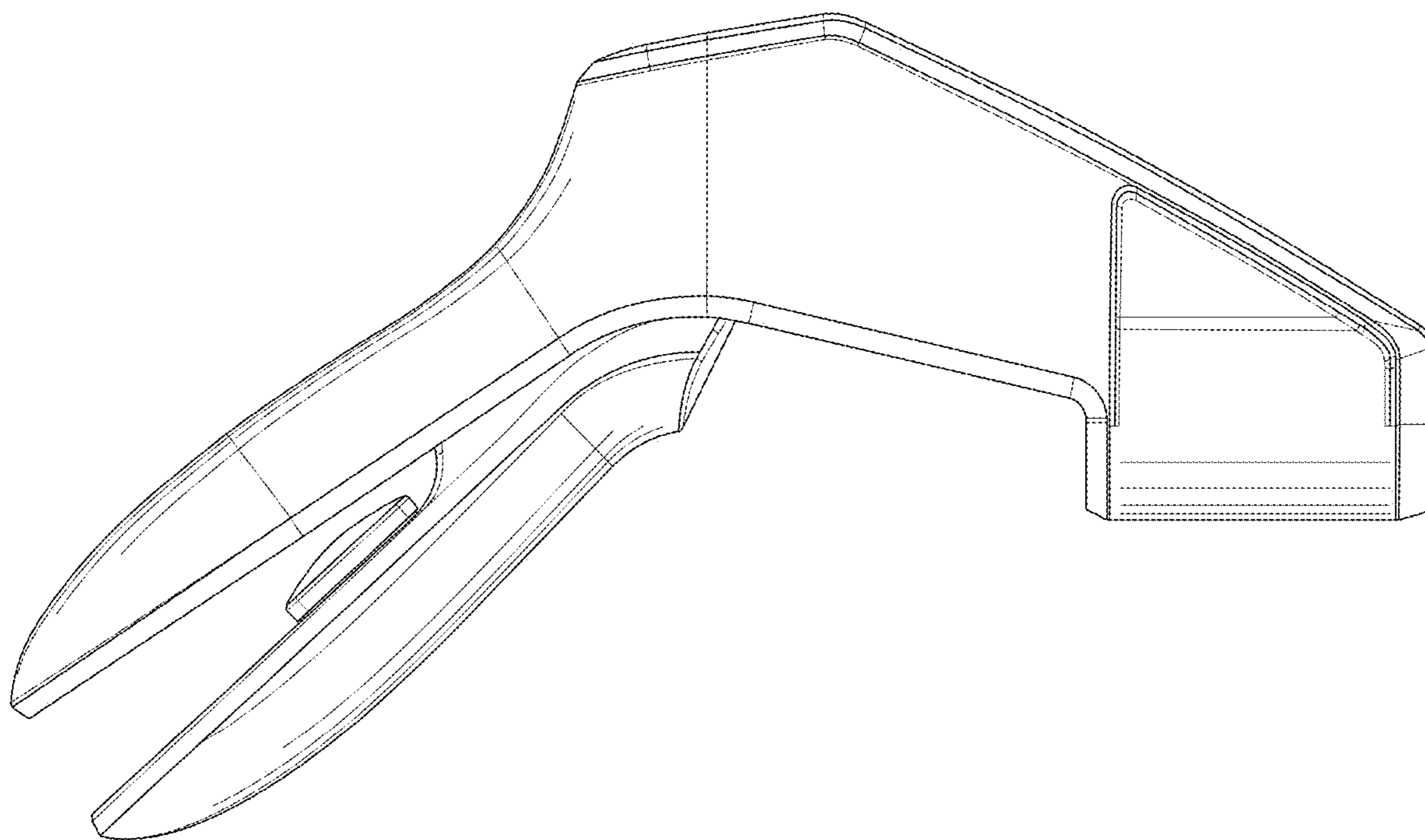


FIG. 11

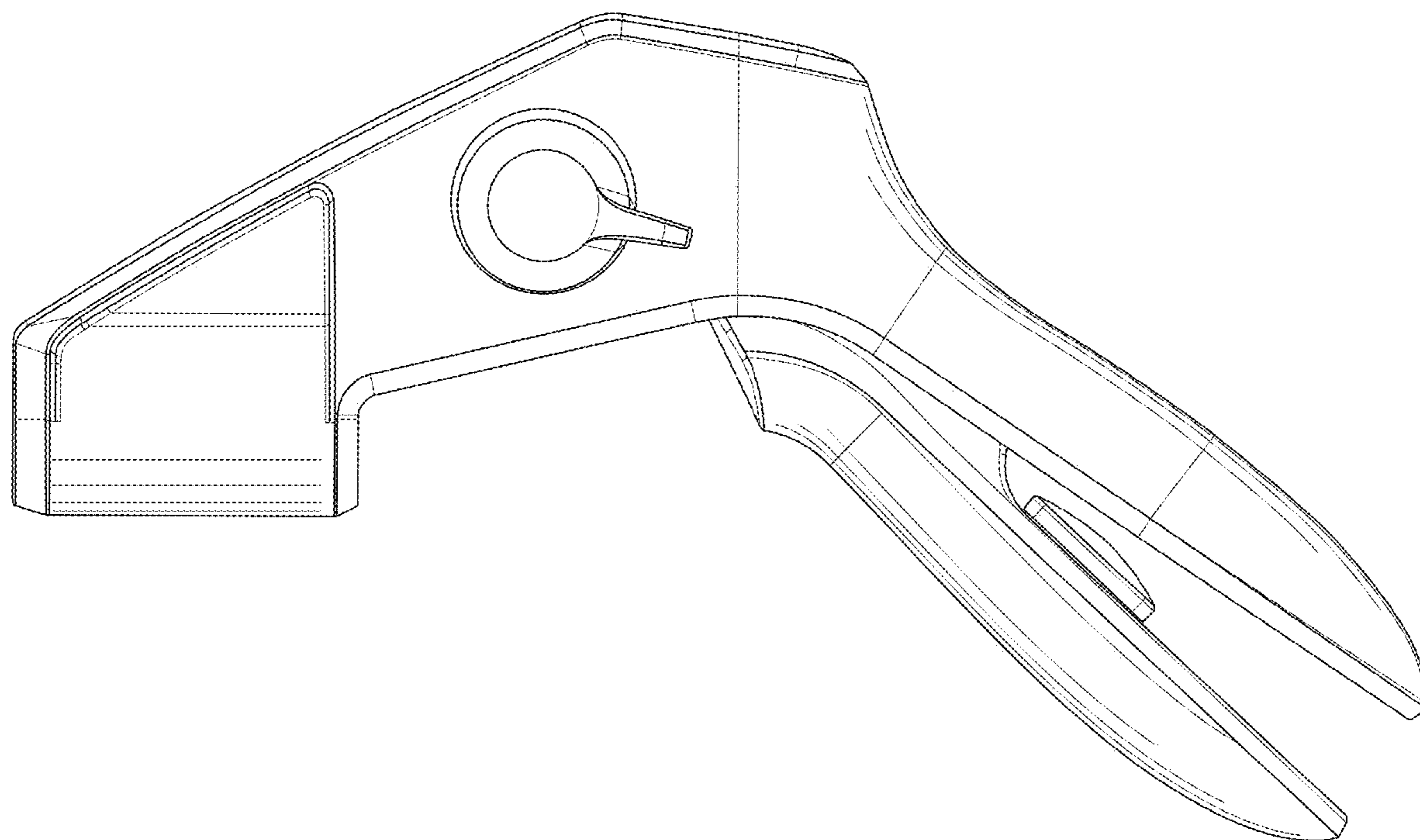


FIG. 12

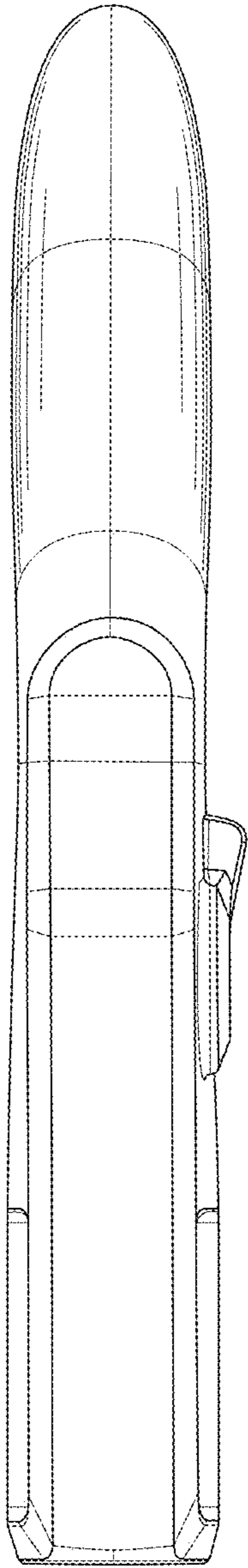


FIG. 13

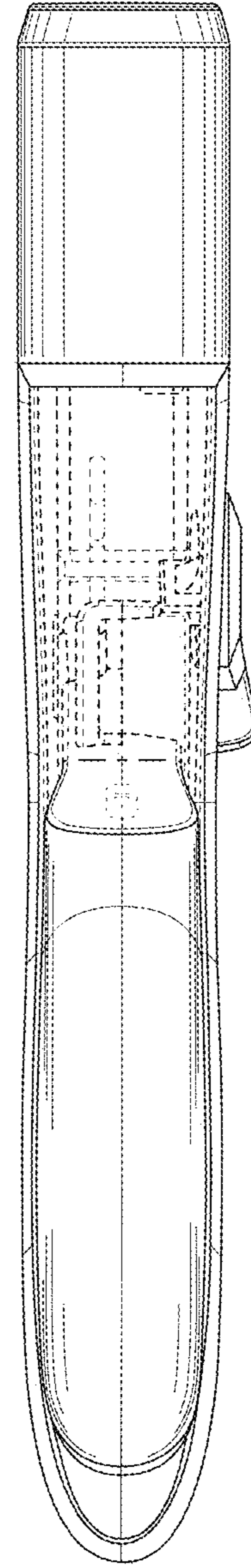


FIG. 14