



US00D880965S

(12) **United States Design Patent** (10) **Patent No.:** **US D880,965 S**  
**Weber et al.** (45) **Date of Patent:** **\*\* Apr. 14, 2020**

(54) **SNIPS**  
(71) Applicant: **Fiskars Finland Oy Ab**, Helsinki (FI)  
(72) Inventors: **Emery K. Weber**, Madison, WI (US);  
**Alexander J. Huesman**, Madison, WI (US)  
(73) Assignee: **FISKARS FINLAND OY AB**, Helsinki (FI)  
(\*\*) Term: **15 Years**  
(21) Appl. No.: **29/648,362**  
(22) Filed: **May 21, 2018**  
(51) **LOC (12) Cl.** ..... **08-01**  
(52) **U.S. Cl.**  
USPC ..... **D8/5**  
(58) **Field of Classification Search**  
USPC ..... D8/4, 5, 52, 54, 56  
CPC ..... B26B 13/00; B26B 13/02; B26B 13/06;  
B26B 13/12; B26B 13/14; B26B 13/16;  
A01G 3/00; A01G 3/02; A01G 3/021;  
B25G 1/102; B23D 29/026  
See application file for complete search history.

(56) **References Cited**

**U.S. PATENT DOCUMENTS**

D284,731 S \* 7/1986 Linden ..... D8/5  
D305,858 S \* 2/1990 Ishida ..... D8/5  
D310,951 S \* 10/1990 Monnet ..... D8/52  
5,203,084 A \* 4/1993 Kuo ..... A01G 3/02  
30/134  
5,297,343 A 3/1994 Melter et al.  
D369,531 S \* 5/1996 Birkholz ..... D8/5  
6,336,272 B1 \* 1/2002 Lee ..... B26B 13/16  
30/261  
D494,040 S \* 8/2004 Phillips ..... D8/107  
D704,012 S \* 5/2014 Nies ..... D8/5  
D704,013 S \* 5/2014 Nies ..... D8/5

D705,023 S \* 5/2014 Chen ..... D8/5  
D708,037 S \* 7/2014 Anderson ..... D8/107  
D714,597 S \* 10/2014 Lee ..... D8/5  
D718,590 S \* 12/2014 Roberts ..... D8/57  
D760,042 S \* 6/2016 Jenkins ..... D8/107  
D766,689 S \* 9/2016 Ritter ..... D8/52  
D775,918 S \* 1/2017 Lee ..... D8/57  
D786,036 S \* 5/2017 Roberts ..... D8/52  
D789,077 S \* 6/2017 Seo ..... D3/220  
D795,033 S \* 8/2017 Lee ..... D8/5  
D799,816 S \* 10/2017 Cosignani ..... D3/220  
D799,928 S \* 10/2017 Lee ..... D8/57  
D802,381 S \* 11/2017 Wolf ..... D8/4  
D828,737 S \* 9/2018 Constantine ..... D8/52  
2006/0191142 A1 \* 8/2006 Jou ..... A01G 3/02  
30/262  
2008/0184567 A1 \* 8/2008 Jou ..... A01G 3/02  
30/262  
2017/0197321 A1 \* 7/2017 Lee ..... B26B 13/28  
2017/0245439 A1 \* 8/2017 Nelson ..... A01G 3/02

\* cited by examiner

*Primary Examiner* — Sandra S Snapp  
*Assistant Examiner* — Ieisha N Price  
(74) *Attorney, Agent, or Firm* — Leason Ellis LLP

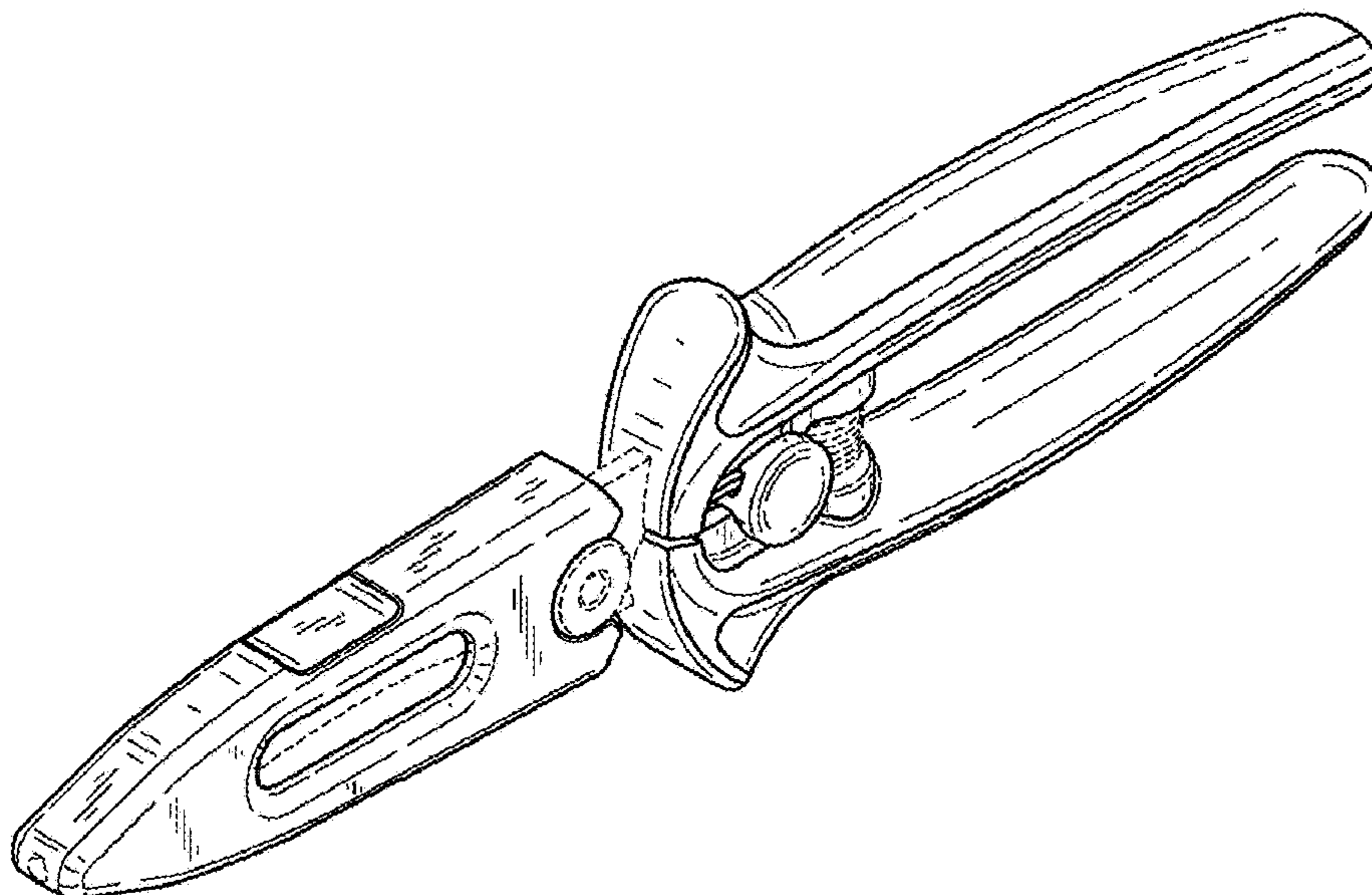
(57) **CLAIM**

We claim the ornamental design for snips, as shown and described.

**DESCRIPTION**

FIG. 1 is a top, front, right perspective view of the snips.  
FIG. 2 is a right side elevation view thereof;  
FIG. 3 is a left side elevation view thereof;  
FIG. 4 is a top plan view thereof;  
FIG. 5 is a bottom plan view thereof;  
FIG. 6 is a front elevation view thereof; and,  
FIG. 7 is a rear elevation view thereof.  
The broken lines in the drawings illustrate portions of the snips and form no part of the claimed design.

**1 Claim, 4 Drawing Sheets**



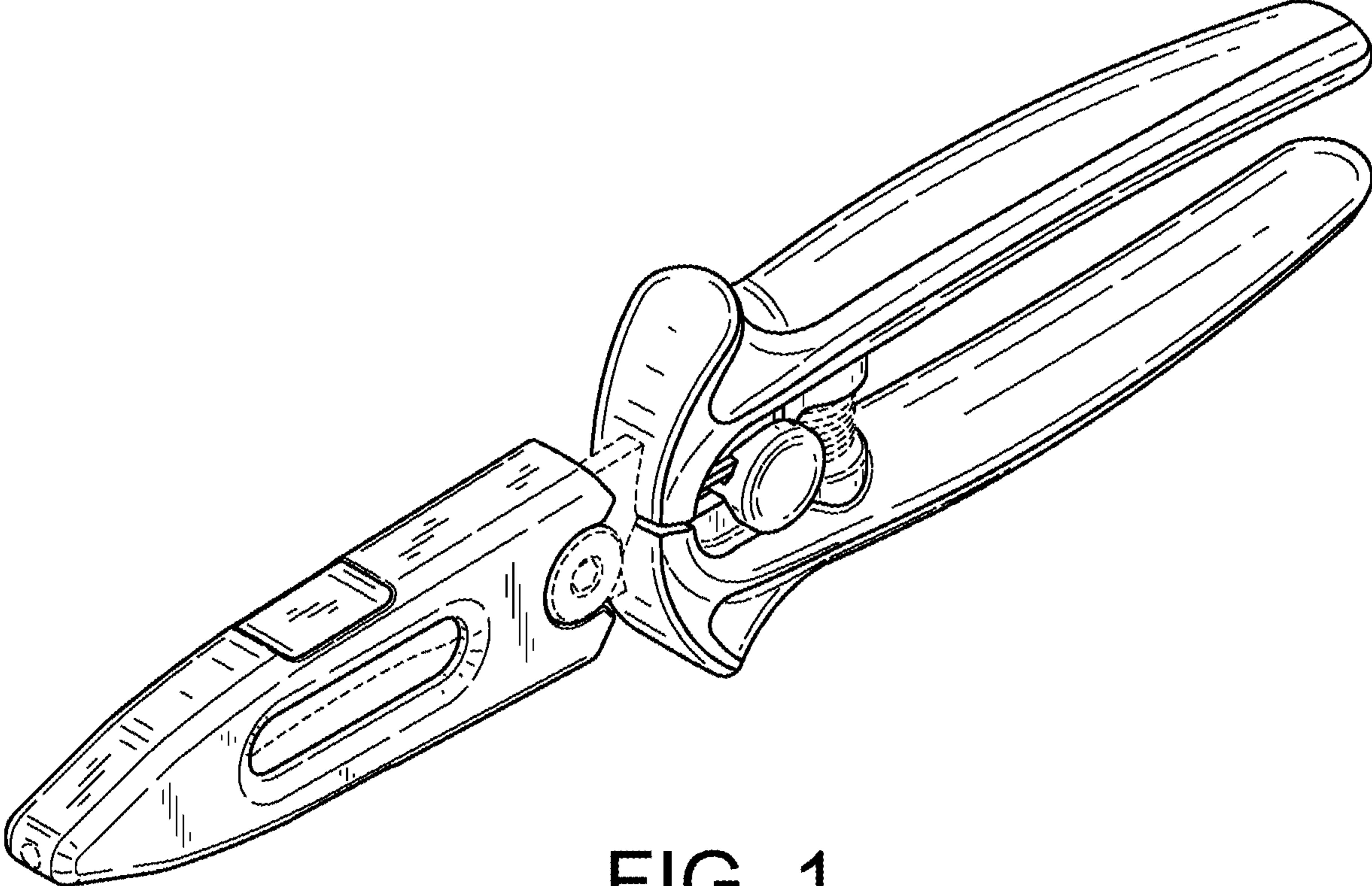


FIG. 1

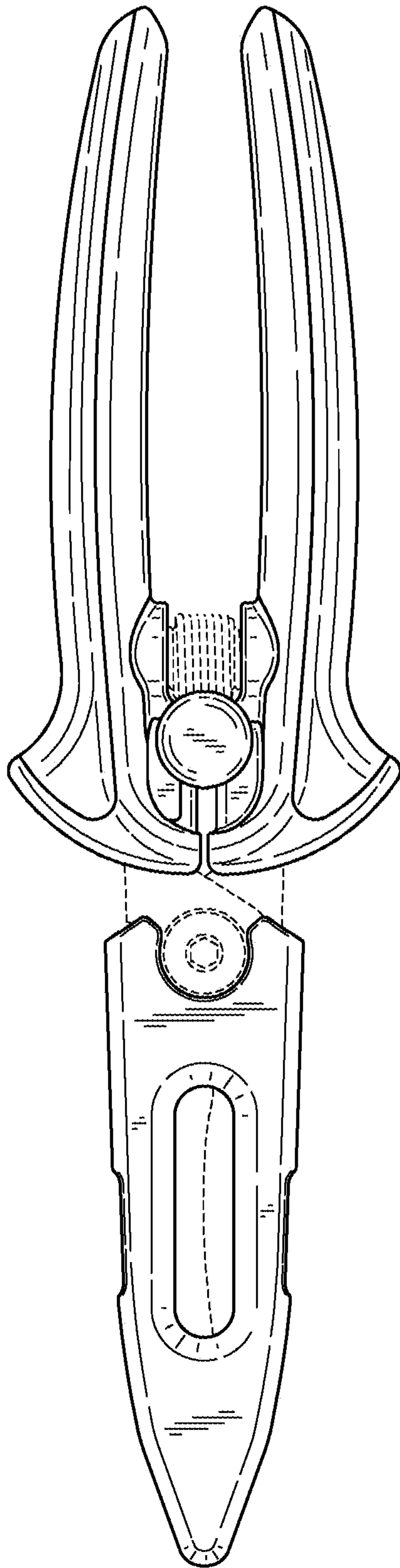


FIG. 2

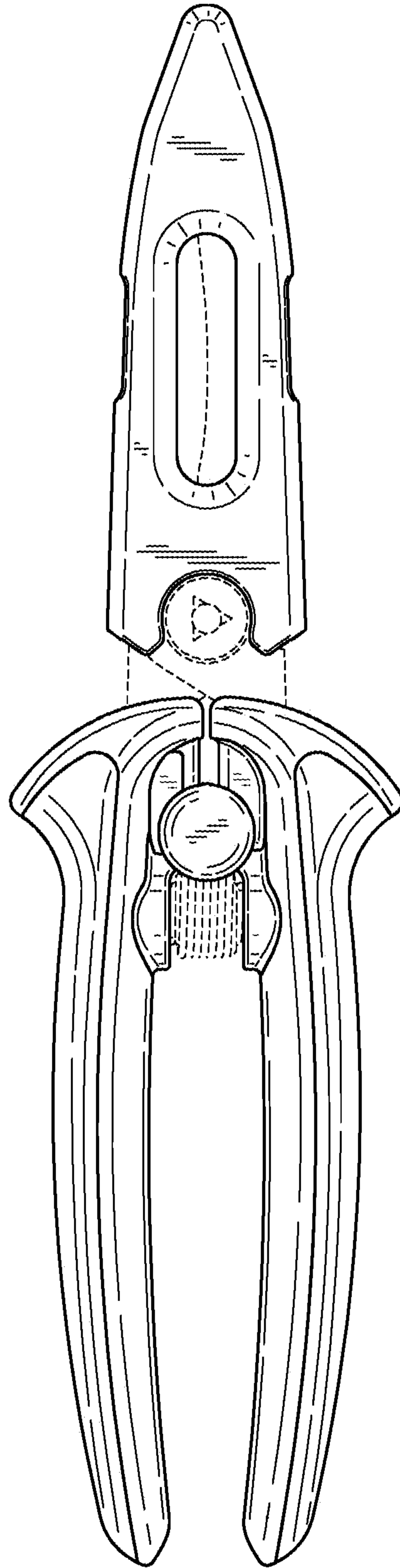


FIG. 3

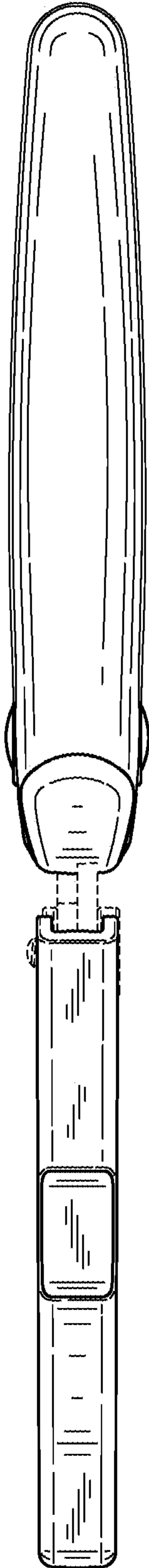


FIG. 4

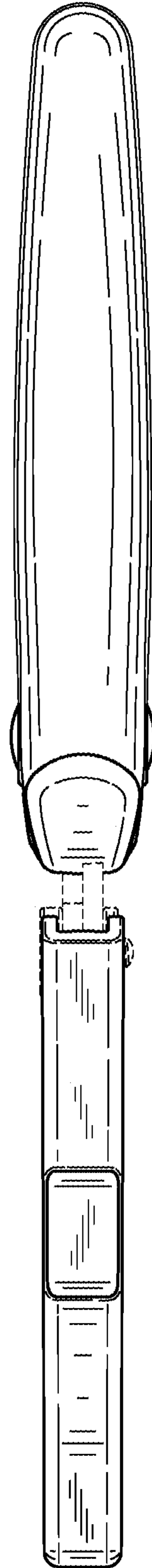


FIG. 5

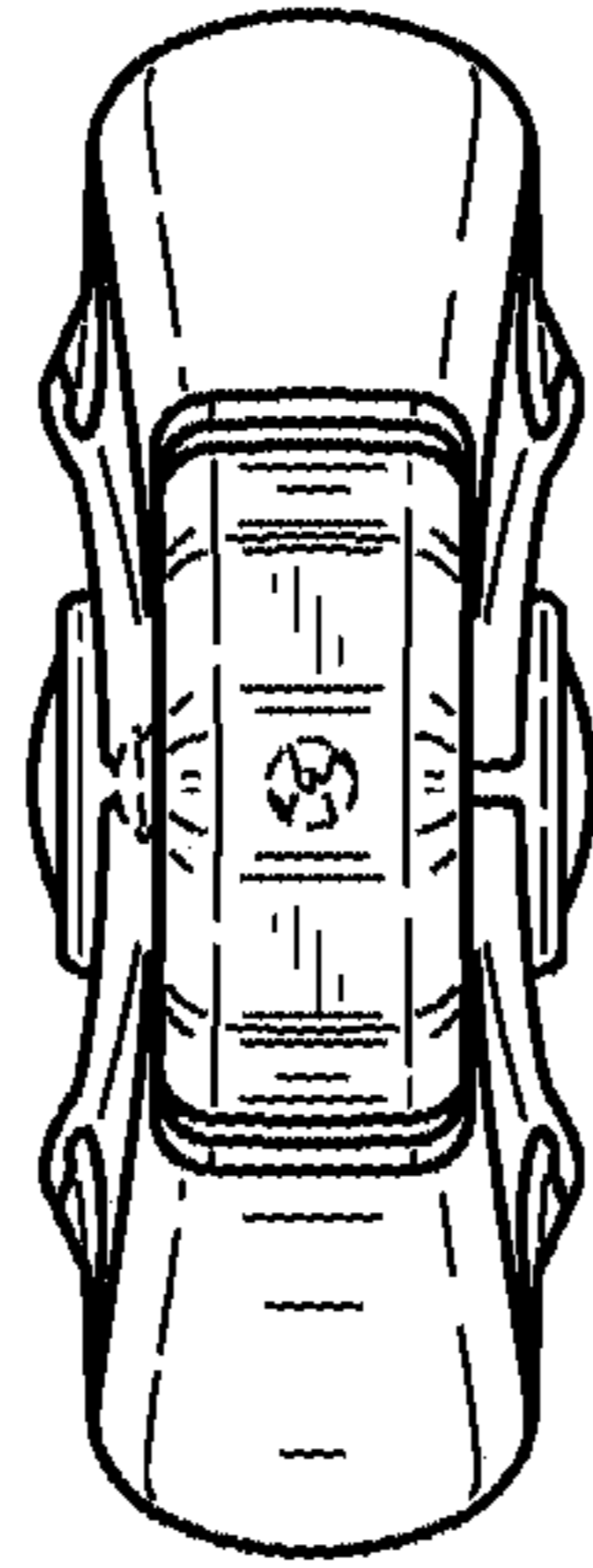


FIG. 6

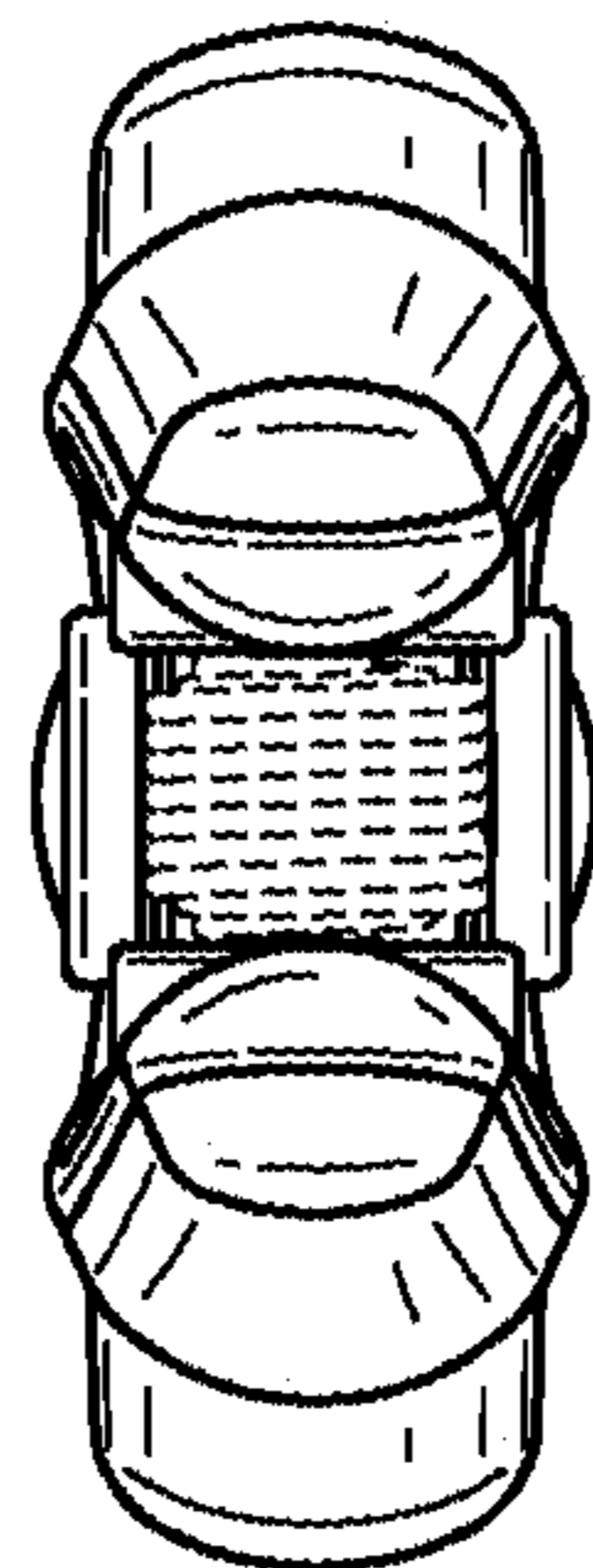


FIG. 7