



US00D880962S

(12) **United States Design Patent**  
**Fu**

(10) **Patent No.:** **US D880,962 S**  
(45) **Date of Patent:** **\*\* Apr. 14, 2020**

(54) **COUPLER**

(71) Applicant: **Bo Fu**, Guangdong (CN)

(72) Inventor: **Bo Fu**, Guangdong (CN)

(\*\*) Term: **15 Years**

(21) Appl. No.: **29/643,371**

(22) Filed: **Apr. 8, 2018**

(51) **LOC (12) Cl.** ..... **07-99**

(52) **U.S. Cl.**  
USPC ..... **D7/669**

(58) **Field of Classification Search**  
USPC ..... D7/368, 669, 387, 213; D8/382, 387,  
D8/394, 397, 398, 399, 499  
CPC ..... A23G 3/28; A23G 3/0021; B65D 35/38;  
B65D 35/44; B65D 35/56; B65D 35/46;  
B65D 35/22; B05C 17/00516; A21C  
15/005; A21C 15/007  
See application file for complete search history.

(56) **References Cited**

**U.S. PATENT DOCUMENTS**

2007/0000943 A1\* 1/2007 Morgan ..... B65D 35/38  
222/107  
2008/0089967 A1\* 4/2008 Bourque ..... A23G 3/0021  
425/183

2015/0129609 A1\* 5/2015 Ciecorka ..... B65D 35/38  
222/92  
2015/0158050 A1\* 6/2015 Atwell ..... B05C 17/00516  
222/420  
2017/0203884 A1\* 7/2017 Sherman ..... B65D 35/22

\* cited by examiner

*Primary Examiner* — Terry A Wallace

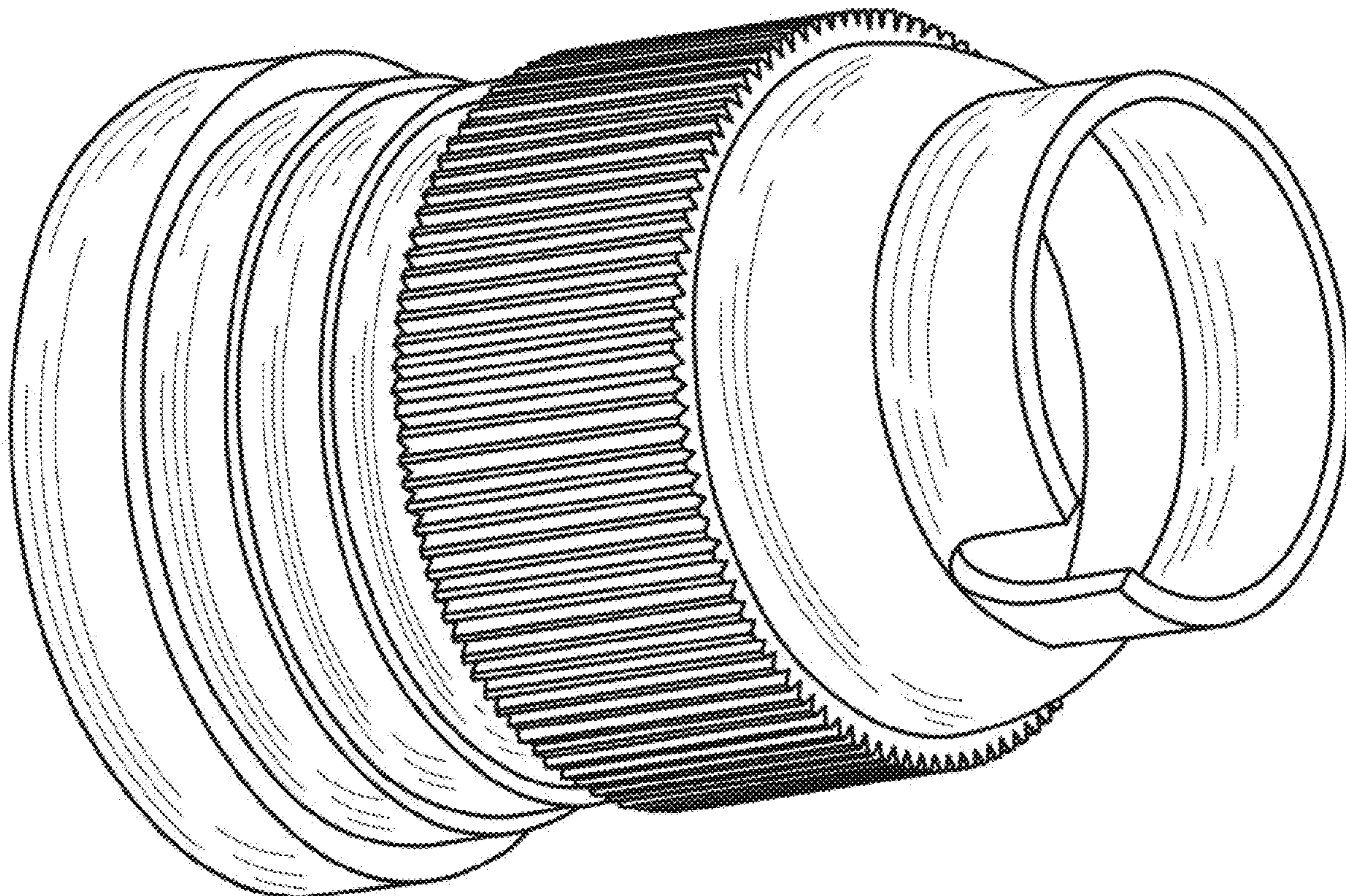
(57) **CLAIM**

I claim the ornamental design for a coupler, as shown and described.

**DESCRIPTION**

FIG. 1 is a perspective view of a coupler showing my new design;  
FIG. 2 is a front elevational view thereof;  
FIG. 3 is a rear elevational view thereof;  
FIG. 4 is a left side elevational view thereof;  
FIG. 5 is a right side elevational view thereof;  
FIG. 6 is a top plan view thereof; and,  
FIG. 7 is a bottom plan view thereof.

**1 Claim, 7 Drawing Sheets**



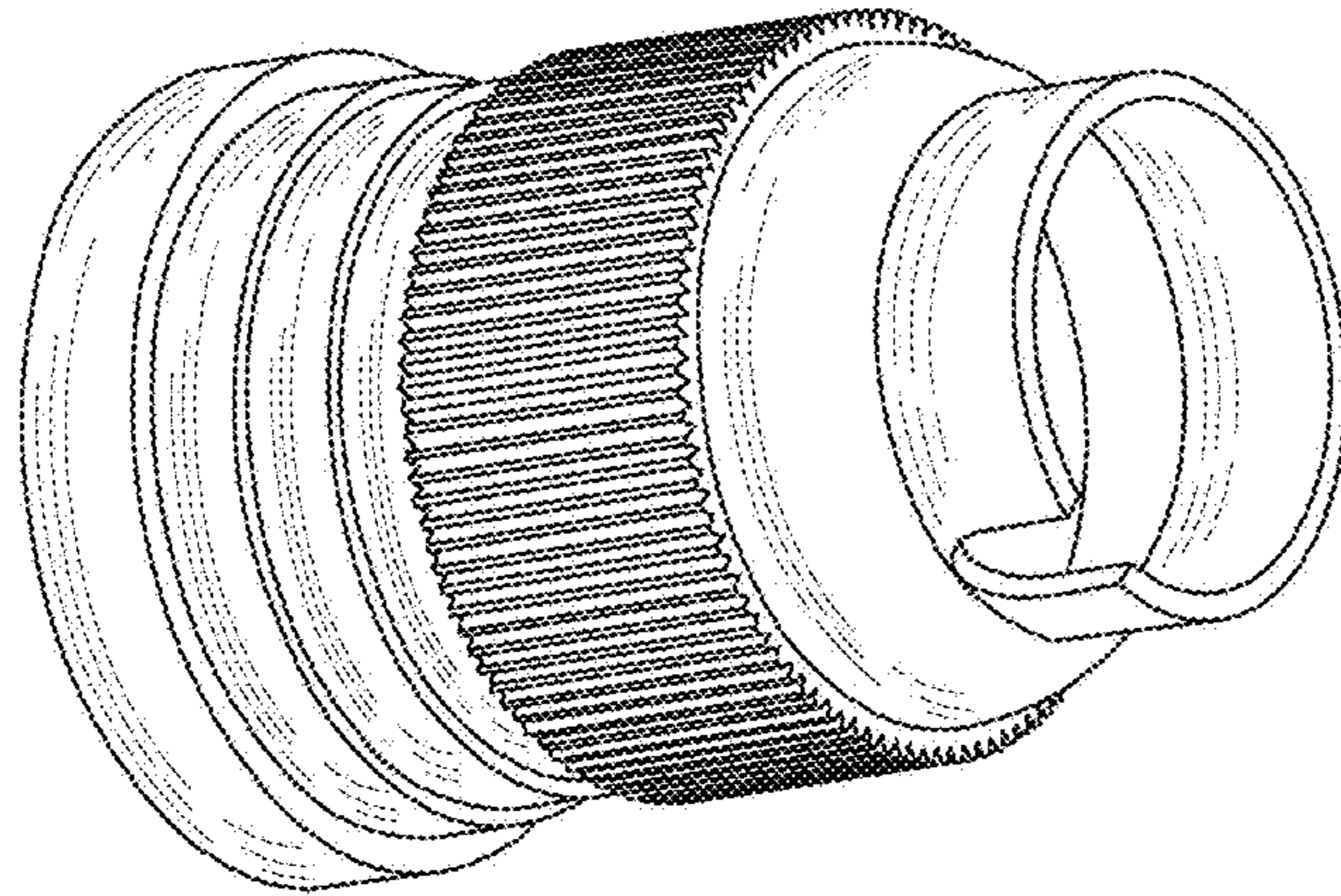


FIG.1

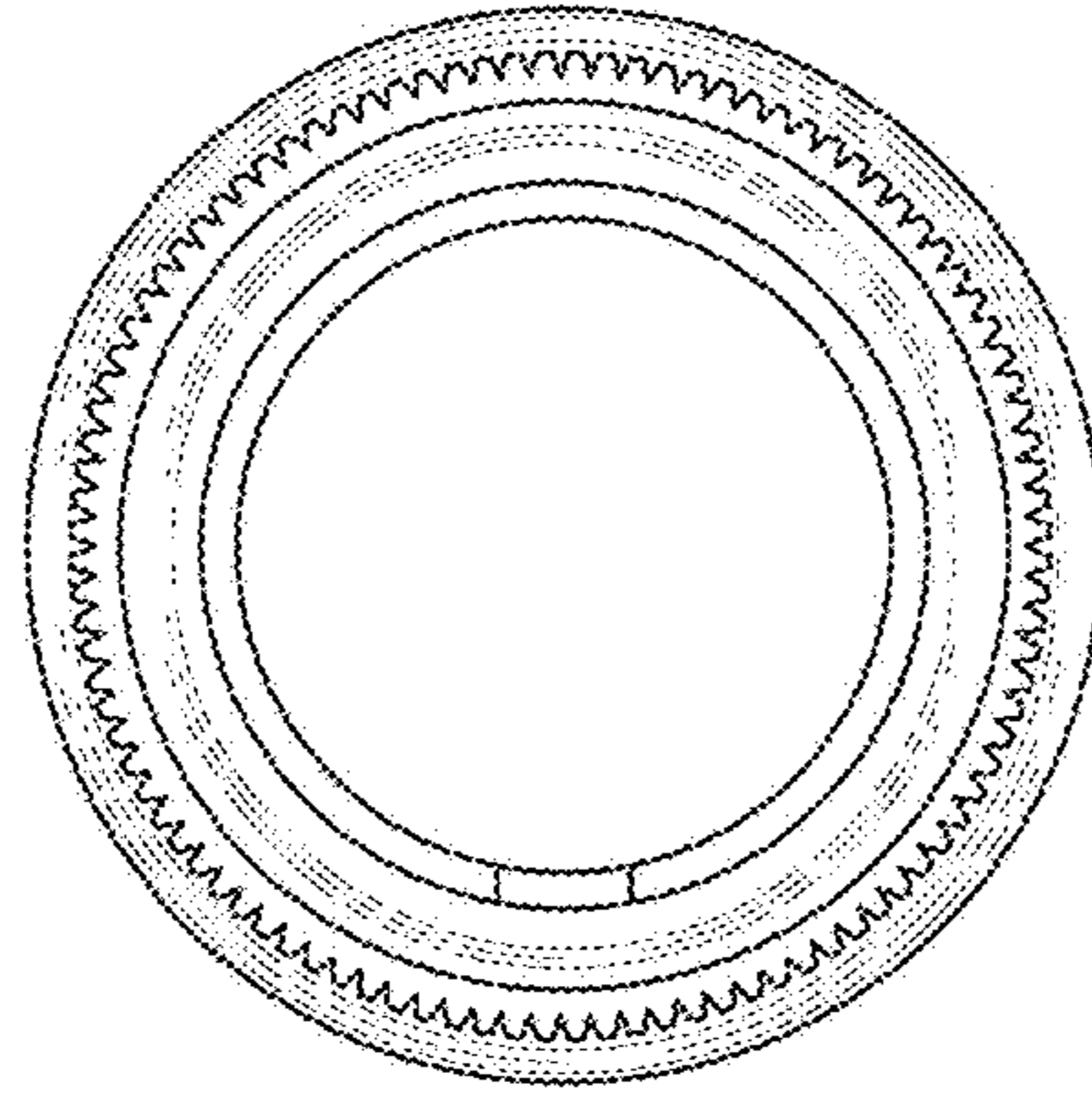


FIG.2



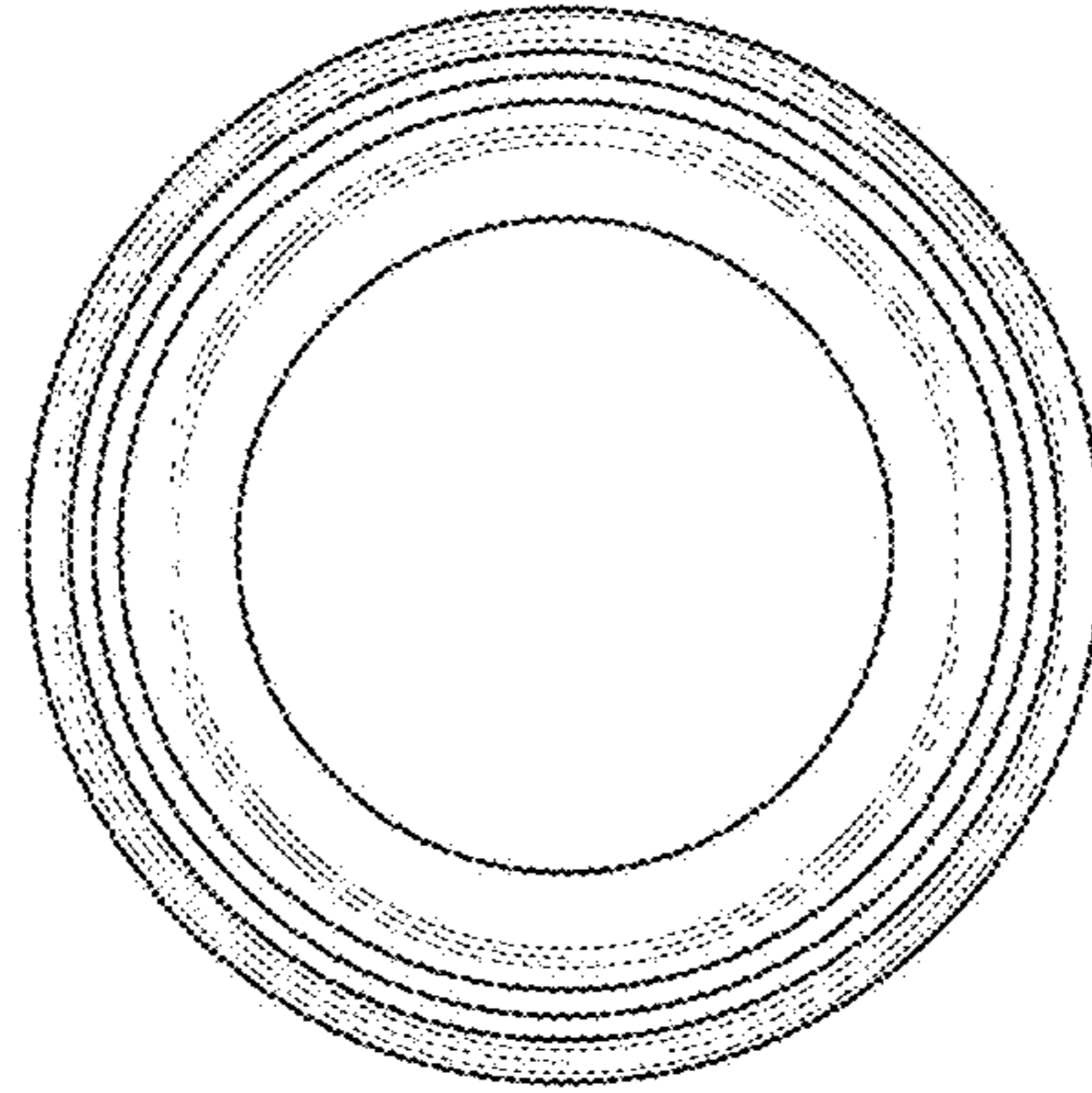


FIG.3

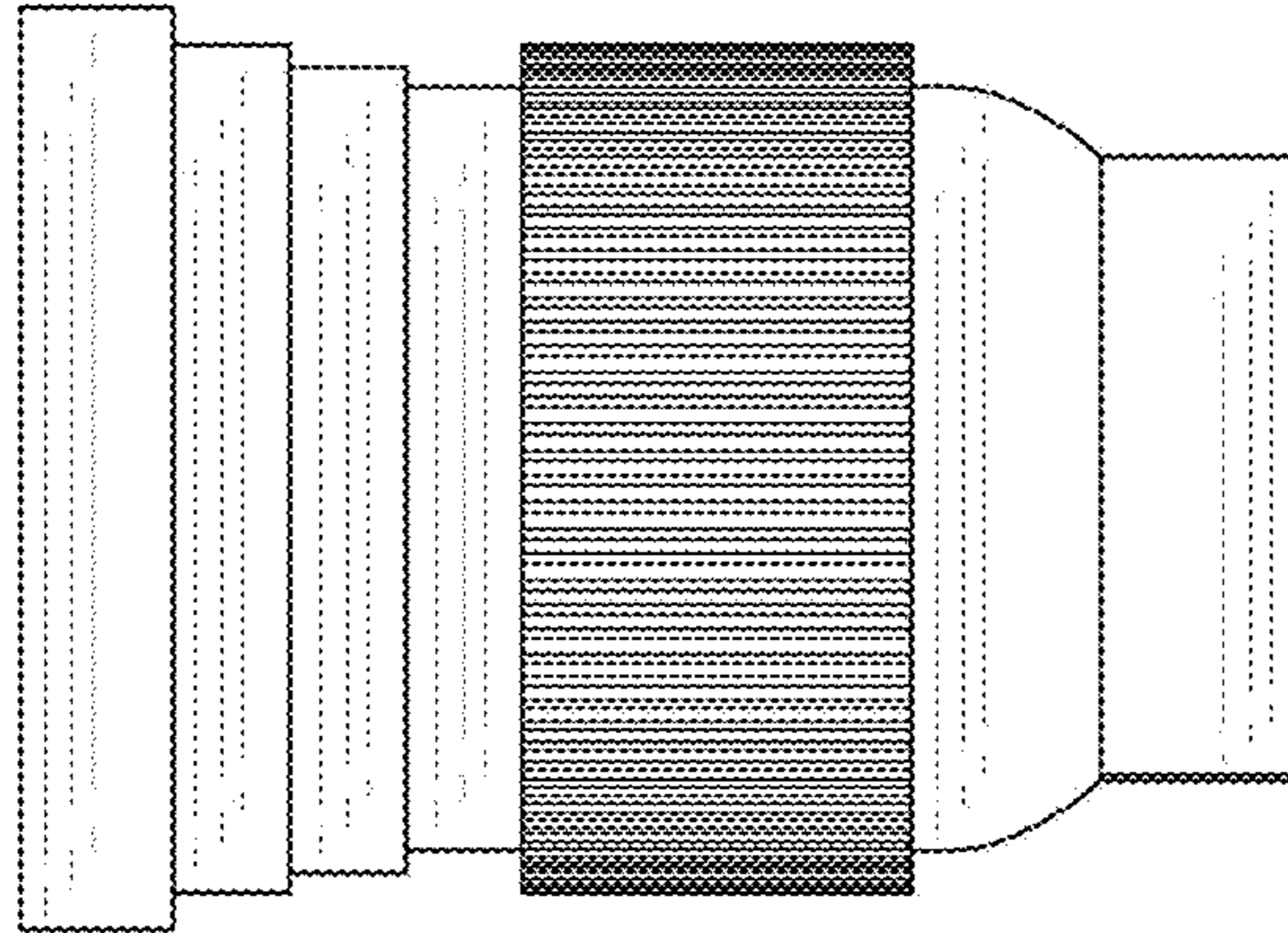


FIG.4

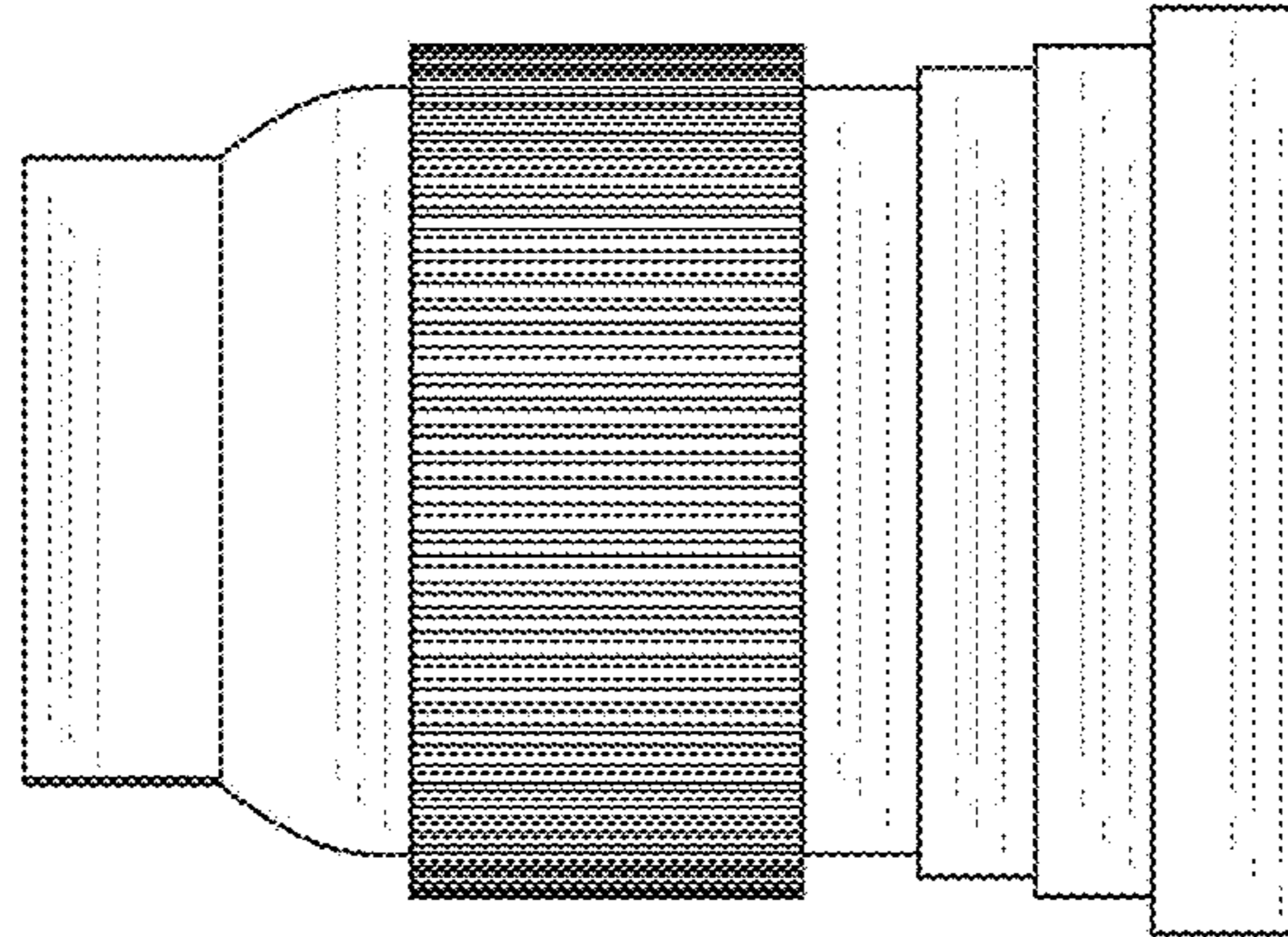


FIG. 5

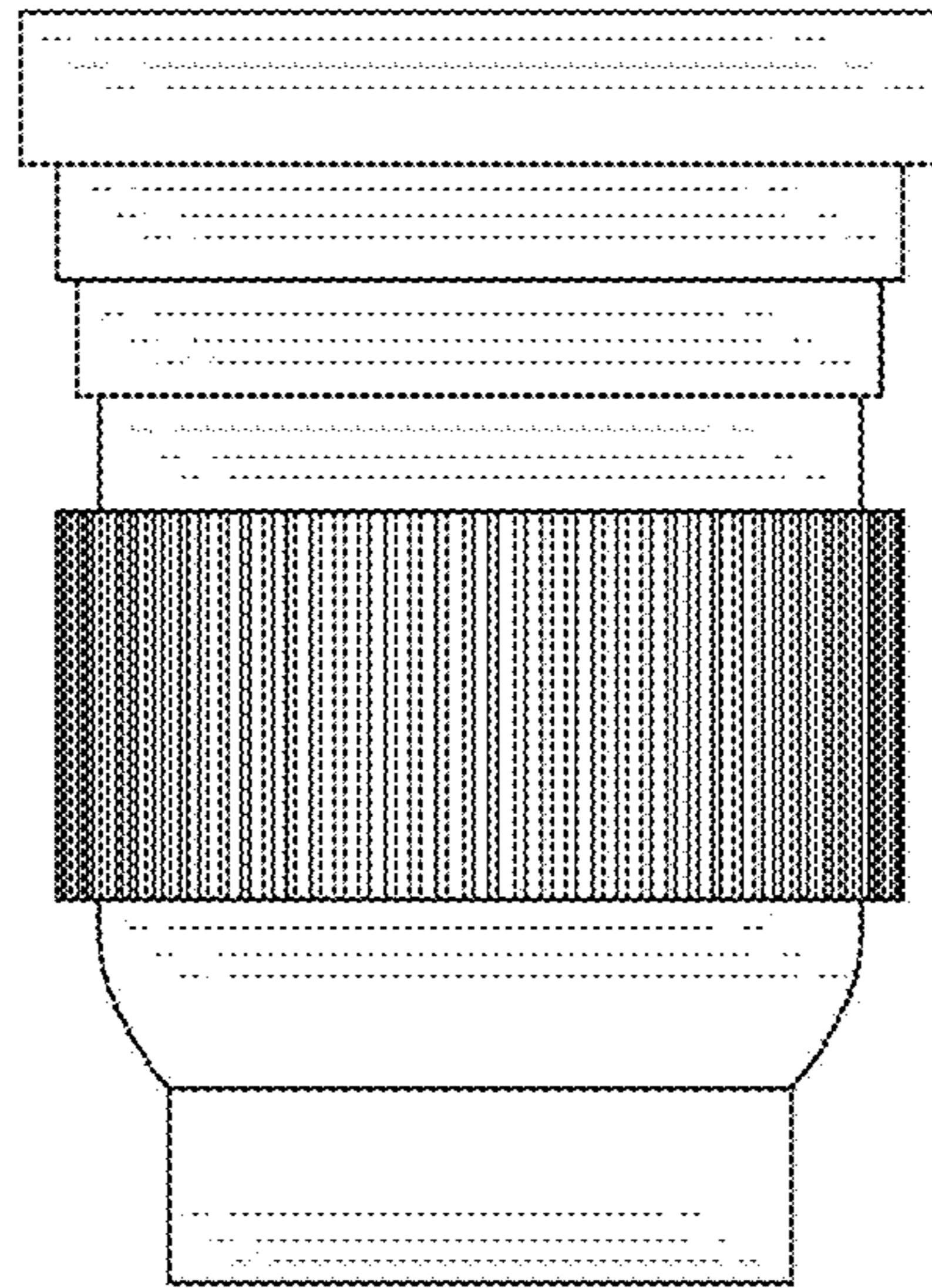


FIG.6

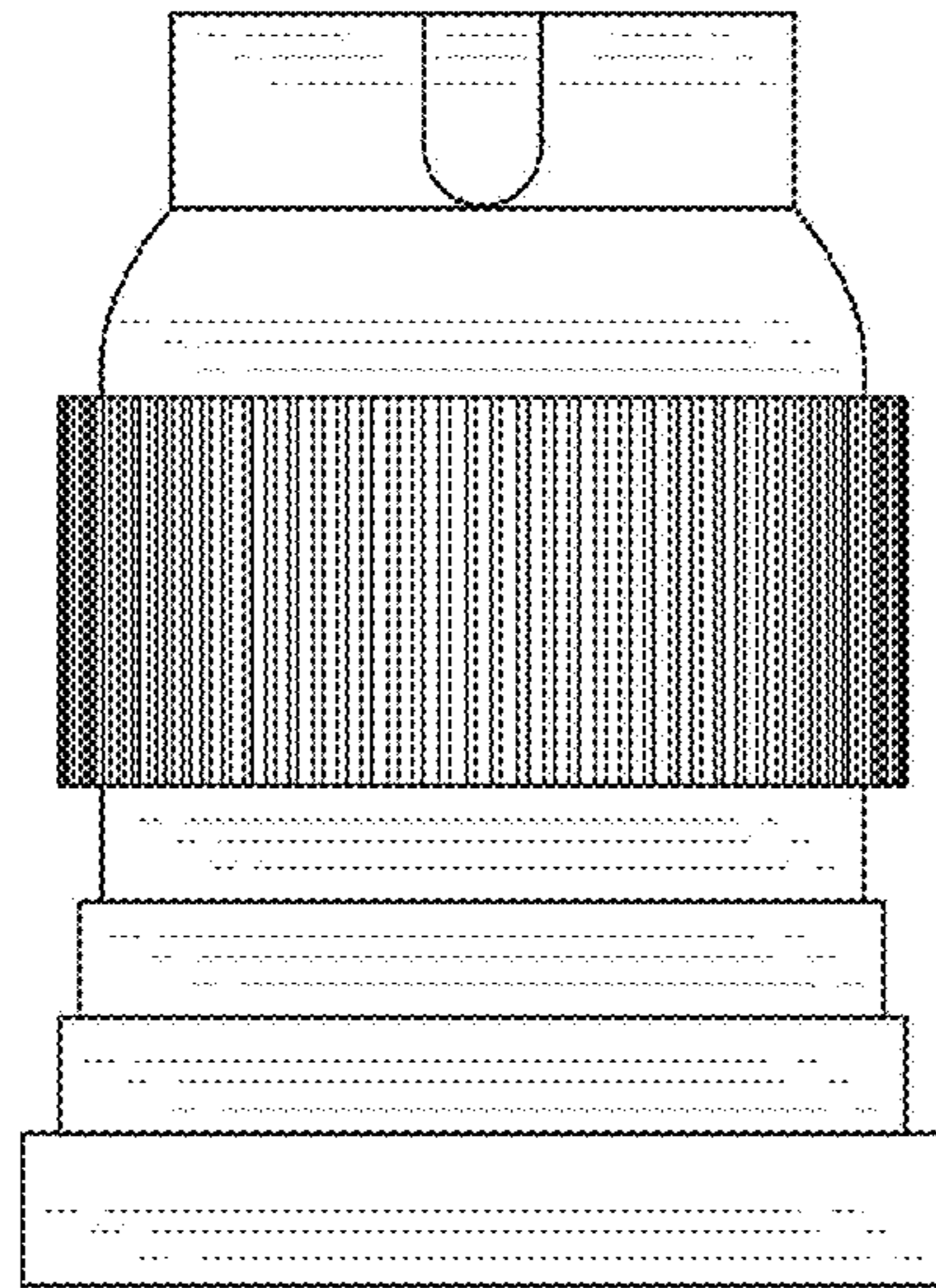


FIG.7