



US00D880961S

(12) **United States Design Patent** (10) **Patent No.:** **US D880,961 S**
Kern (45) **Date of Patent:** **** Apr. 14, 2020**

- (54) **BARWARE** D120,610 S * 5/1940 Berge D7/691
- (71) Applicant: **Target Brands, Inc.**, Minneapolis, MN D156,879 S 1/1950 Grundstrom
- (US) D210,318 S 2/1968 Wallance
- (72) Inventor: **Elizabeth Caroline Kern**, Minneapolis, MN D307,694 S * 5/1990 Billie D7/647
- (US) D5,095,573 A * 3/1992 Henke E04F 21/00
- (73) Assignee: **Target Brands, Inc.**, Minneapolis, MN D379,746 S * 6/1997 Savicki D7/692
- (US) D380,345 S 7/1997 Lu
- (**) Term: **15 Years** D403,204 S 12/1998 Kwok
- (21) Appl. No.: **29/674,108** D408,219 S 4/1999 Lai
- (22) Filed: **Dec. 19, 2018** D410,362 S 6/1999 Lai
- D411,410 S 6/1999 Pedrini
- D416,439 S 11/1999 Kwok
- D419,400 S * 1/2000 Martinez D7/691
- D422,191 S 4/2000 Usbeck
- D424,869 S 5/2000 Chau
- D431,753 S 10/2000 Cohen
- D433,873 S 11/2000 Yu
- 6,234,662 B1 5/2001 Blake
- D445,316 S 7/2001 Borner

(Continued)

Related U.S. Application Data

(63) Continuation of application No. 29/631,074, filed on Dec. 27, 2017.

(51) **LOC (12) Cl.** **07-04**

(52) **U.S. Cl.**
USPC **D7/667; D7/692**

(58) **Field of Classification Search**
USPC D7/667, 668, 669, 368, 680-696;
D10/46.2, 46.3; D30/162; D8/105, 107,
D8/300

CPC A47J 43/285; A47J 43/14; A47J 43/24;
A47J 43/22; A47J 43/28; A47J 43/286;
A47J 43/00; A47J 47/20; A47J 19/005;
A47J 19/00; A47J 36/22; A47J 26/20;
A47G 19/02; A47G 19/12; A45F 3/20;
B21D 53/66; A47F 13/08

See application file for complete search history.

(56) **References Cited**

U.S. PATENT DOCUMENTS

- 1,287,901 A * 12/1918 Custer B21D 53/66
- 76/113
- D54,303 S * 12/1919 Berger D7/671

Primary Examiner — Terry A Wallace

(74) *Attorney, Agent, or Firm* — Merchant & Gould P.C.

(57) **CLAIM**

The ornamental design for a barware, as shown and described.

DESCRIPTION

FIG. 1 is a perspective view of the barware showing my new design.

FIG. 2 is a top view of the barware of FIG. 1;

FIG. 3 is a bottom view of the barware of FIG. 1;

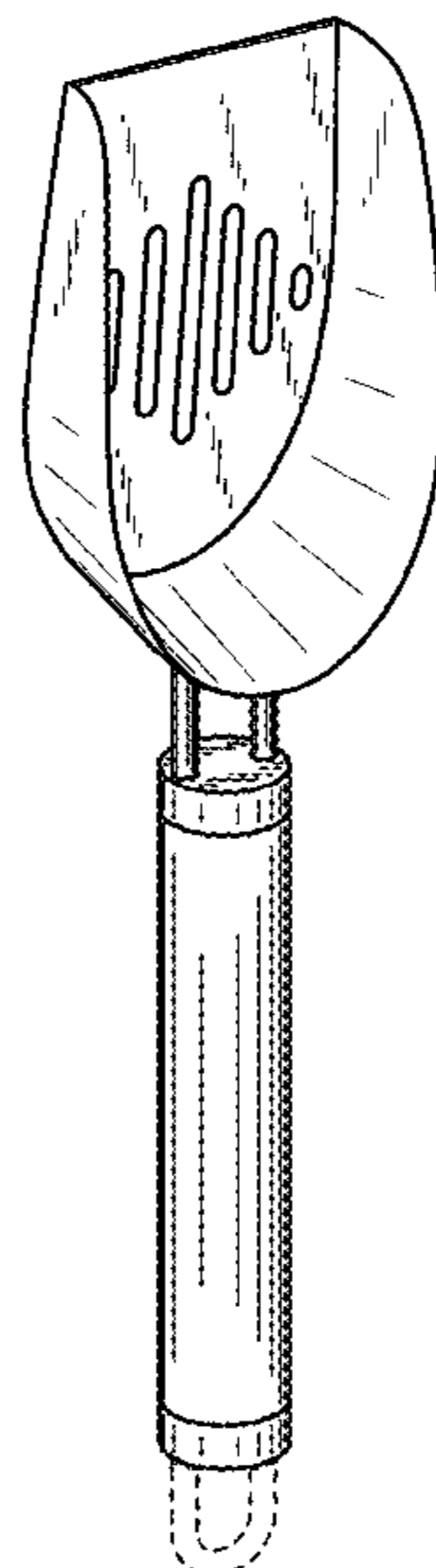
FIG. 4 is a front view of the barware of FIG. 1;

FIG. 5 is a rear view of the barware of FIG. 1; and,

FIG. 6 is a side view of the barware of FIG. 1.

The broken lines are for illustrative purposes only and form no part of the claimed design.

1 Claim, 2 Drawing Sheets



(56)

References Cited

U.S. PATENT DOCUMENTS

D447,385 S	9/2001	Saunders	
D455,606 S	4/2002	Lee	
D458,802 S	4/2002	Richied	
D459,148 S	6/2002	Richied	
D459,149 S	6/2002	Richied	
D459,161 S	6/2002	Rowe	
D459,943 S	7/2002	Richied	
D460,318 S	7/2002	Richied	
D464,528 S	10/2002	Yu	
D468,156 S	1/2003	Yu	
D477,498 S	7/2003	Rowe	
D483,626 S *	12/2003	Jeffries	D30/162
D490,270 S	5/2004	Pippel et al.	
D492,165 S	6/2004	Cheung	
D496,217 S	9/2004	Sun	
D503,071 S	3/2005	Lu	
D504,797 S	5/2005	Lu	
D527,959 S	9/2006	Fung	
D561,526 S	2/2008	Bunting et al.	
D593,794 S	6/2009	Rae	
D624,264 S	9/2010	Li	
7,827,696 B2	11/2010	Settele	
D630,888 S	1/2011	Bodum	
D632,142 S	2/2011	Lu	
D650,219 S	12/2011	Lu	
D663,159 S	1/2012	Zemel	
D659,558 S *	5/2012	Johnson	D10/46.2
8,631,722 B1 *	1/2014	Davis	B25F 1/04 7/155
D699,070 S	2/2014	Rae	
D734,104 S *	7/2015	Lee	D7/667
D736,043 S *	8/2015	Lee	D7/691
D795,638 S	8/2017	Barberi	

* cited by examiner

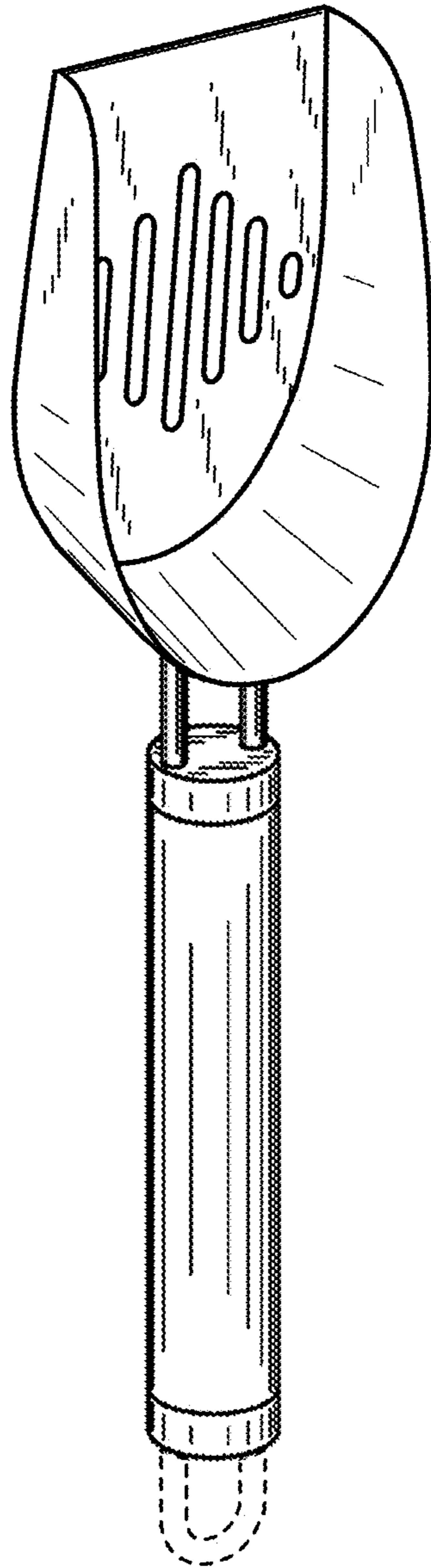


Fig. 1

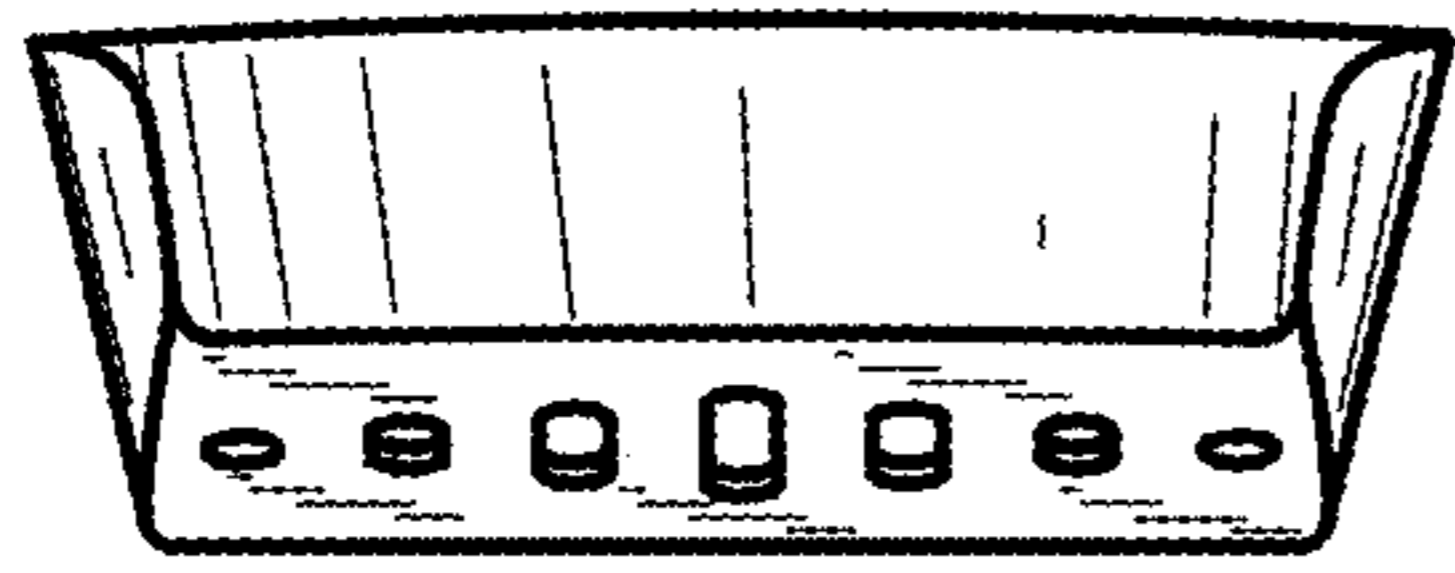


Fig. 2

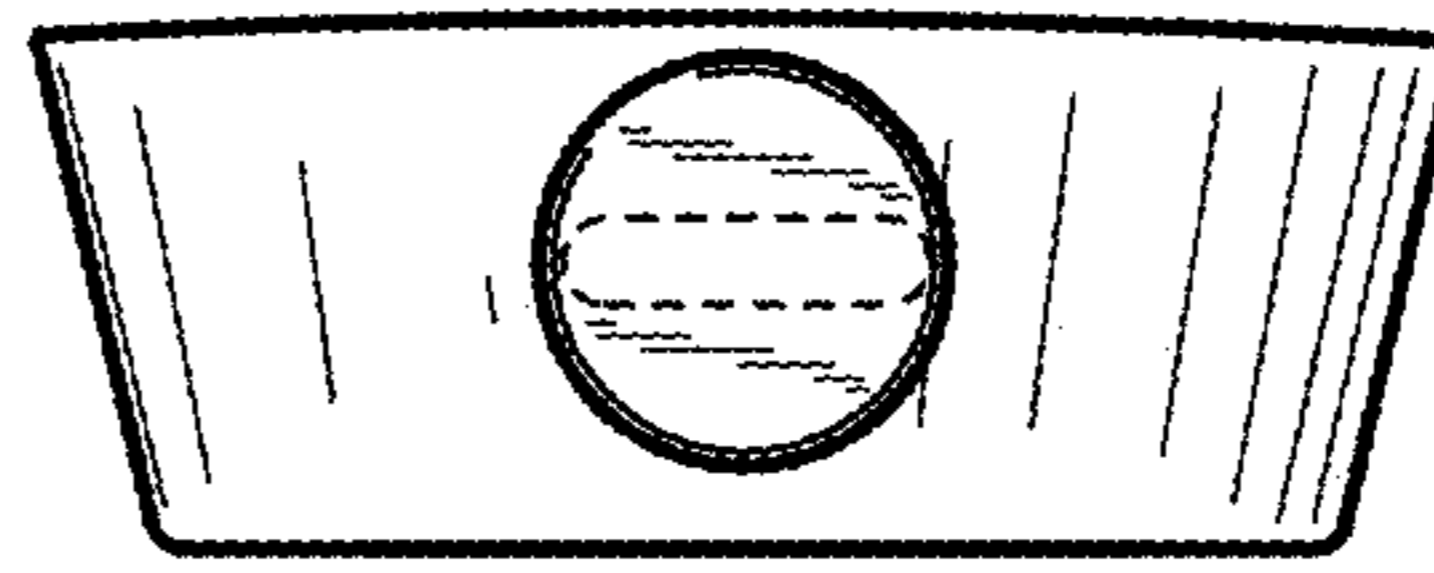


Fig. 3

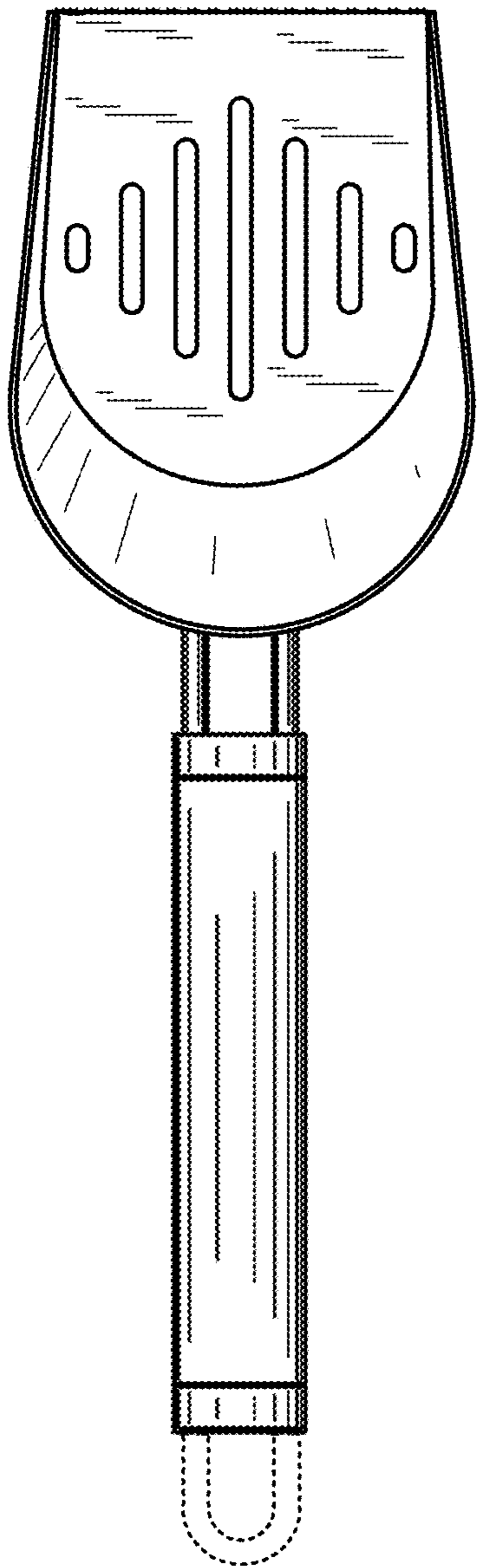


Fig. 4

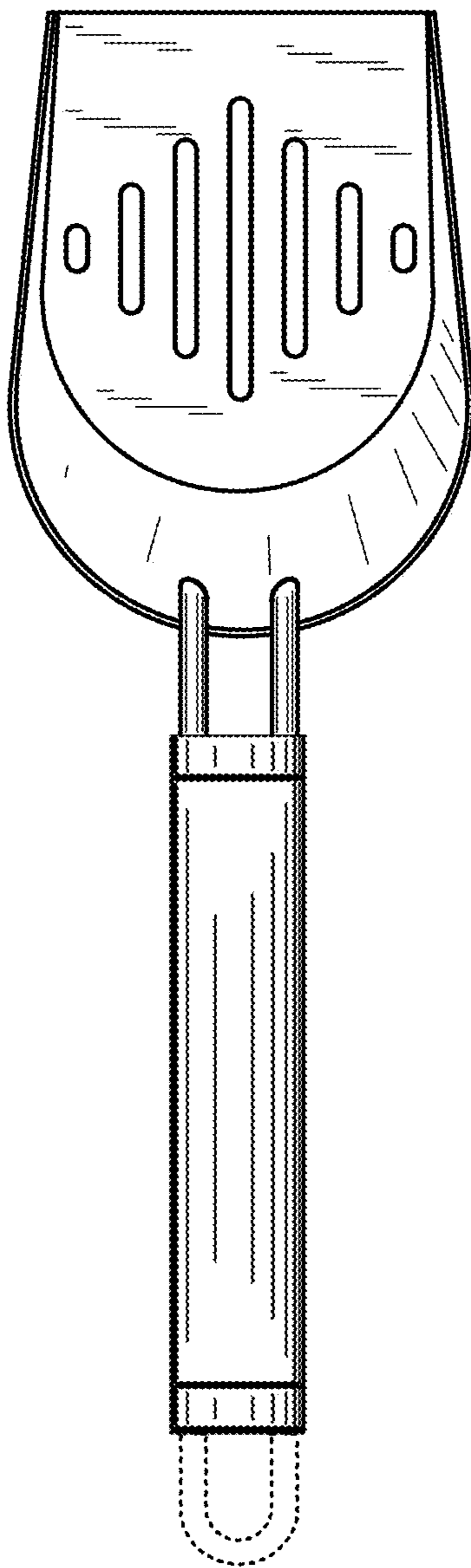


Fig. 5

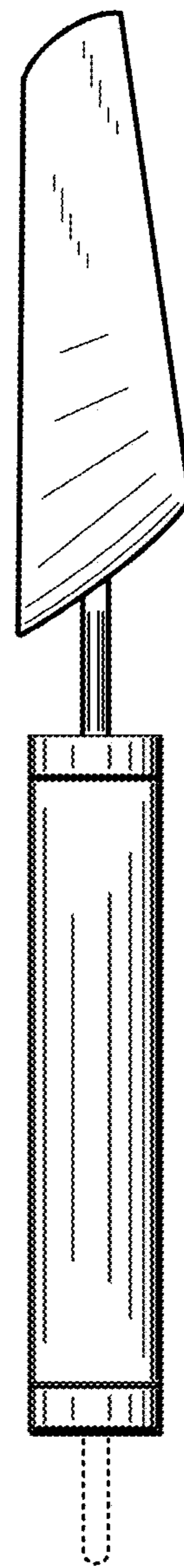


Fig. 6