



US00D880959S

(12) **United States Design Patent** (10) **Patent No.:** **US D880,959 S**
Allende Fritsch et al. (45) **Date of Patent:** **** Apr. 14, 2020**

(54) **JUICER** 7,066,082 B2 * 6/2006 O'Loughlin A47J 19/027
 99/511
 (71) Applicant: **KONINKLIJKE PHILIPS N.V.**, D537,303 S * 2/2007 Stuckey D7/378
 Eindhoven (NL) D710,659 S * 8/2014 Marquez D7/665
 D733,504 S * 7/2015 Choi D7/665
 (72) Inventors: **Paula Andrea Allende Fritsch**, 2006/0191425 A1 * 8/2006 Chang A47J 19/027
 Landsmeer (NL); **Lacides Manuel** 99/511
Marquez, Almere Buiten (NL) 2013/0255511 A1 * 10/2013 Steiner A47J 19/027
 99/513
 (73) Assignee: **KONINKLIJKE PHILIPS N.V.**, 2014/0053741 A1 * 2/2014 Chou A47J 19/027
 Eindhoven (NL) 99/513

* cited by examiner

(**) Term: **15 Years**

(21) Appl. No.: **29/663,360**

Primary Examiner — Terry A Wallace

(22) Filed: **Sep. 14, 2018**

(30) **Foreign Application Priority Data**

Mar. 16, 2018 (EM) 004761021

(51) **LOC (12) Cl.** **31-00**

(52) **U.S. Cl.**
USPC **D7/665**

(58) **Field of Classification Search**
USPC D7/665, 666, 378, 370, 384, 386, 412
CPC A47J 19/02; A47J 19/027; A47J 19/06;
A47J 19/00; A47J 19/022; A47J 43/0727;
A47J 43/0794; A47J 43/042; A47J
43/046; A47J 2043/04454; A23N 1/02;
A23N 1/003; A23N 1/00

See application file for complete search history.

(56) **References Cited**

U.S. PATENT DOCUMENTS

6,397,736 B1 * 6/2002 Tseng A47J 19/027
99/511
6,766,731 B1 * 7/2004 Lavi A47J 43/255
241/37.5

(57) **CLAIM**

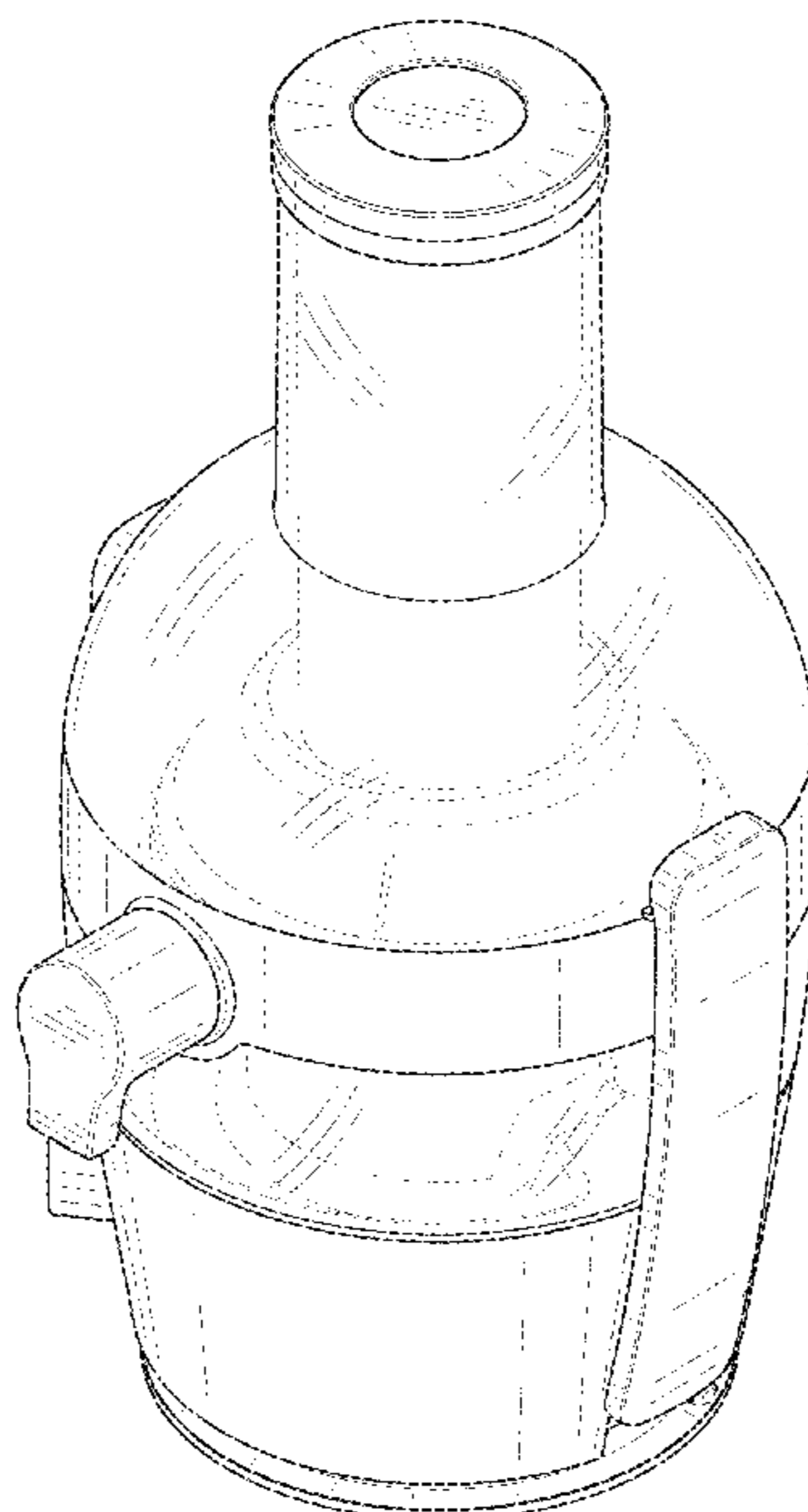
The ornamental design for a juicer, as shown and described.

DESCRIPTION

FIG. 1 is a perspective view showing a juicer of our design;
 FIG. 2 is a front elevational view thereof;
 FIG. 3 is a rear elevational view thereof;
 FIG. 4 is a left side elevational view thereof;
 FIG. 5 is a right side elevational view thereof;
 FIG. 6 is a top plan view thereof; and,
 FIG. 7 is a bottom plan view thereof.

The broken lines shown in the drawings depict portions of the juicer that form no part of the claimed design.

1 Claim, 7 Drawing Sheets



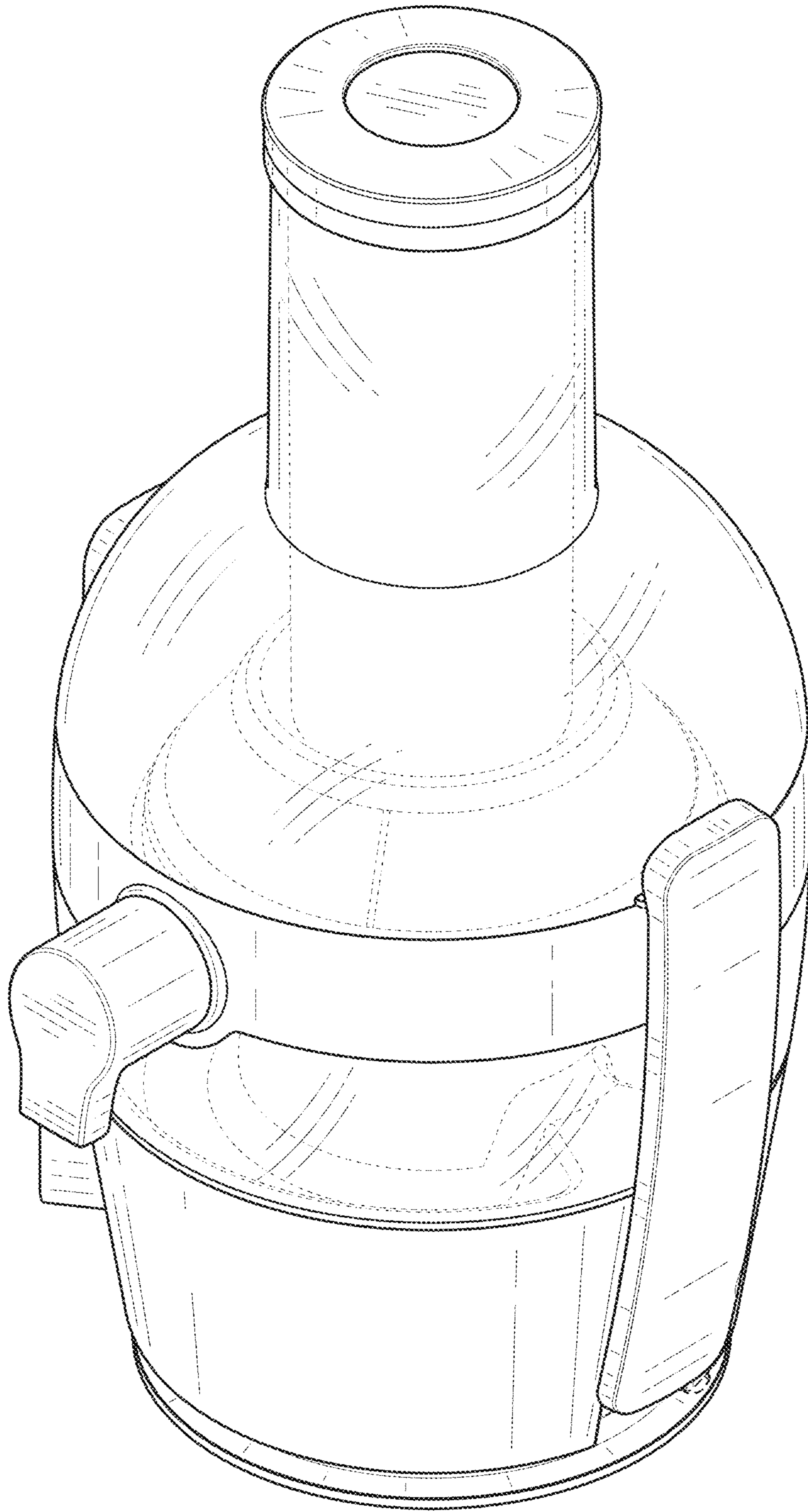


FIG. 1

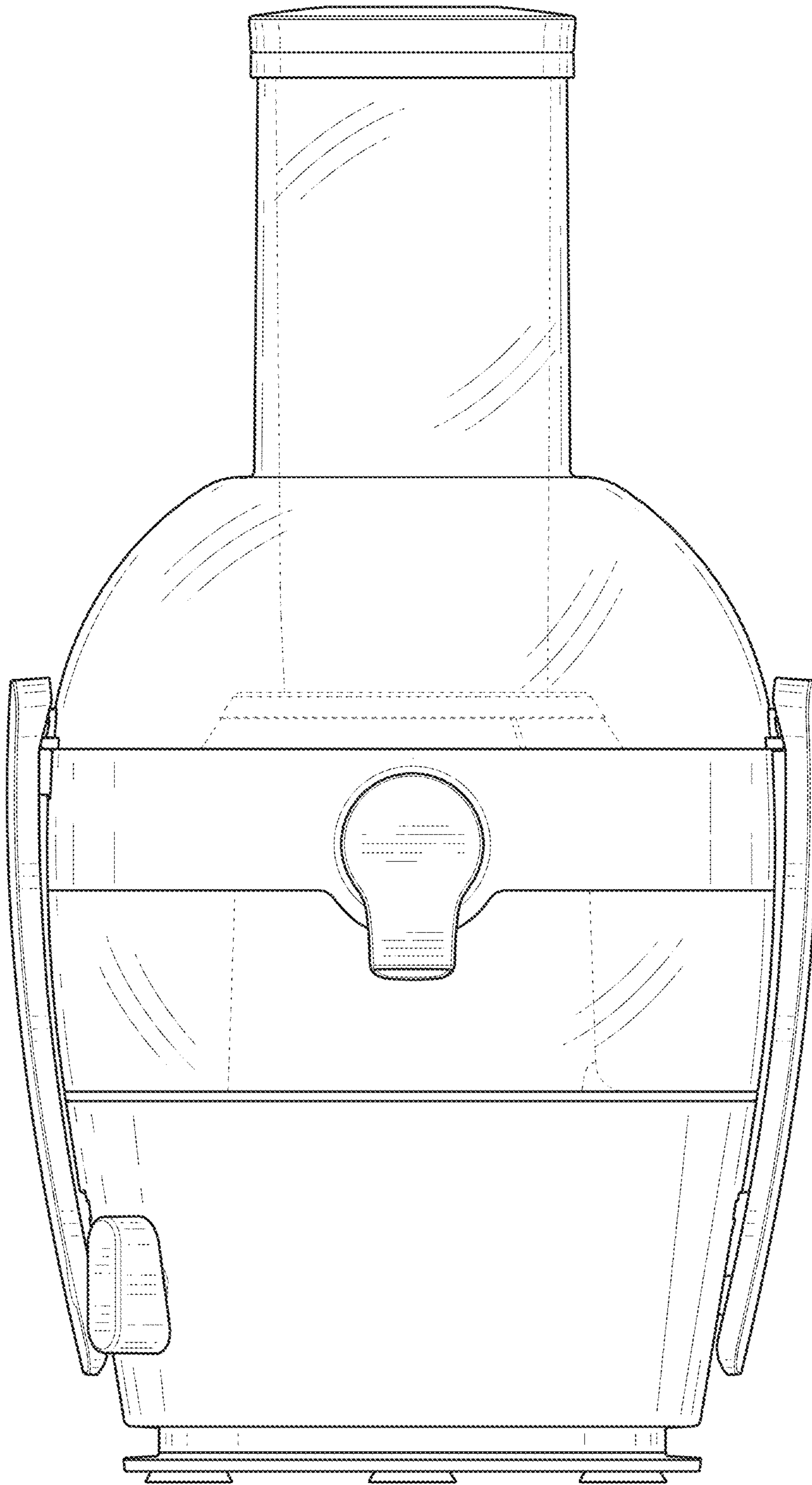


FIG. 2

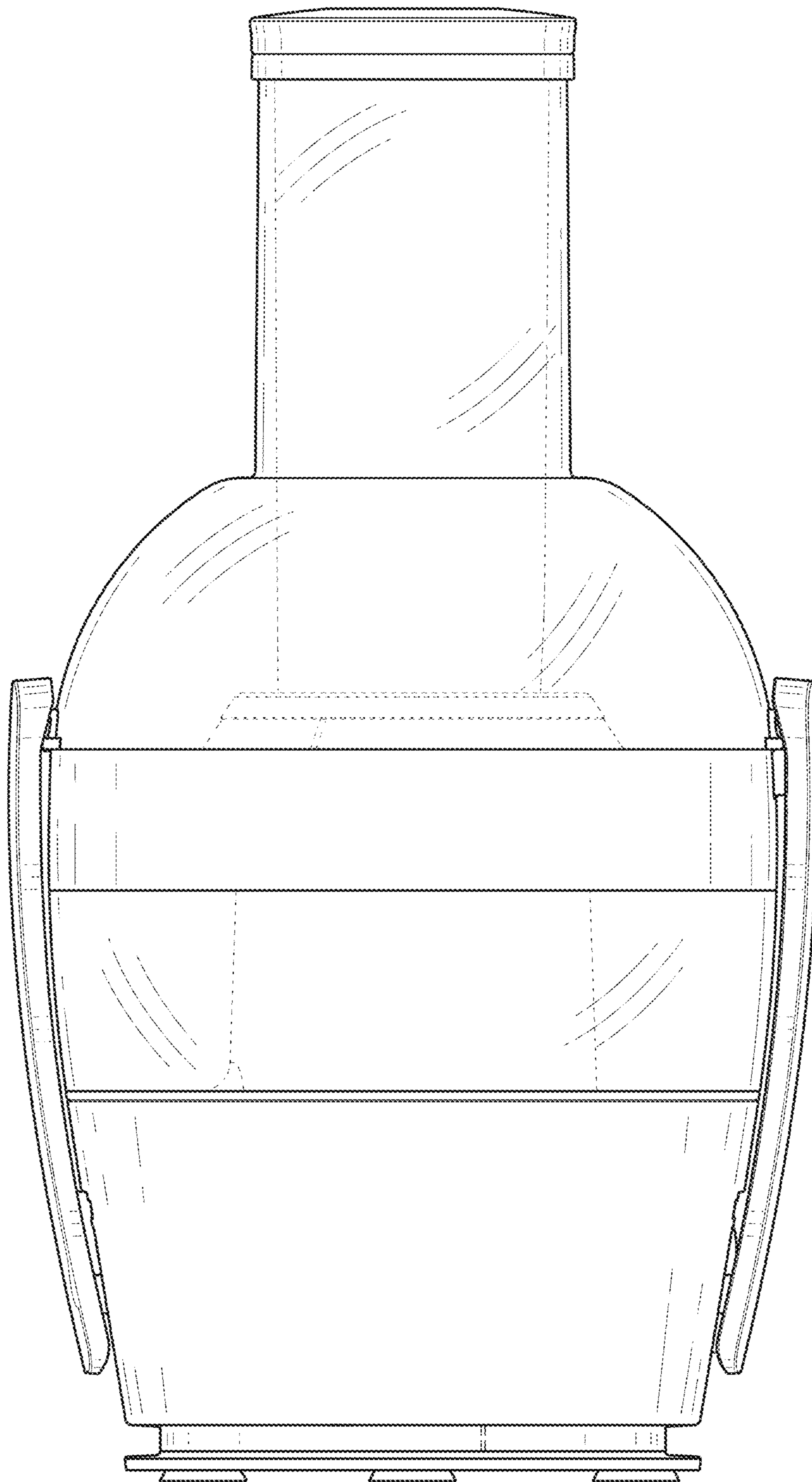


FIG. 3

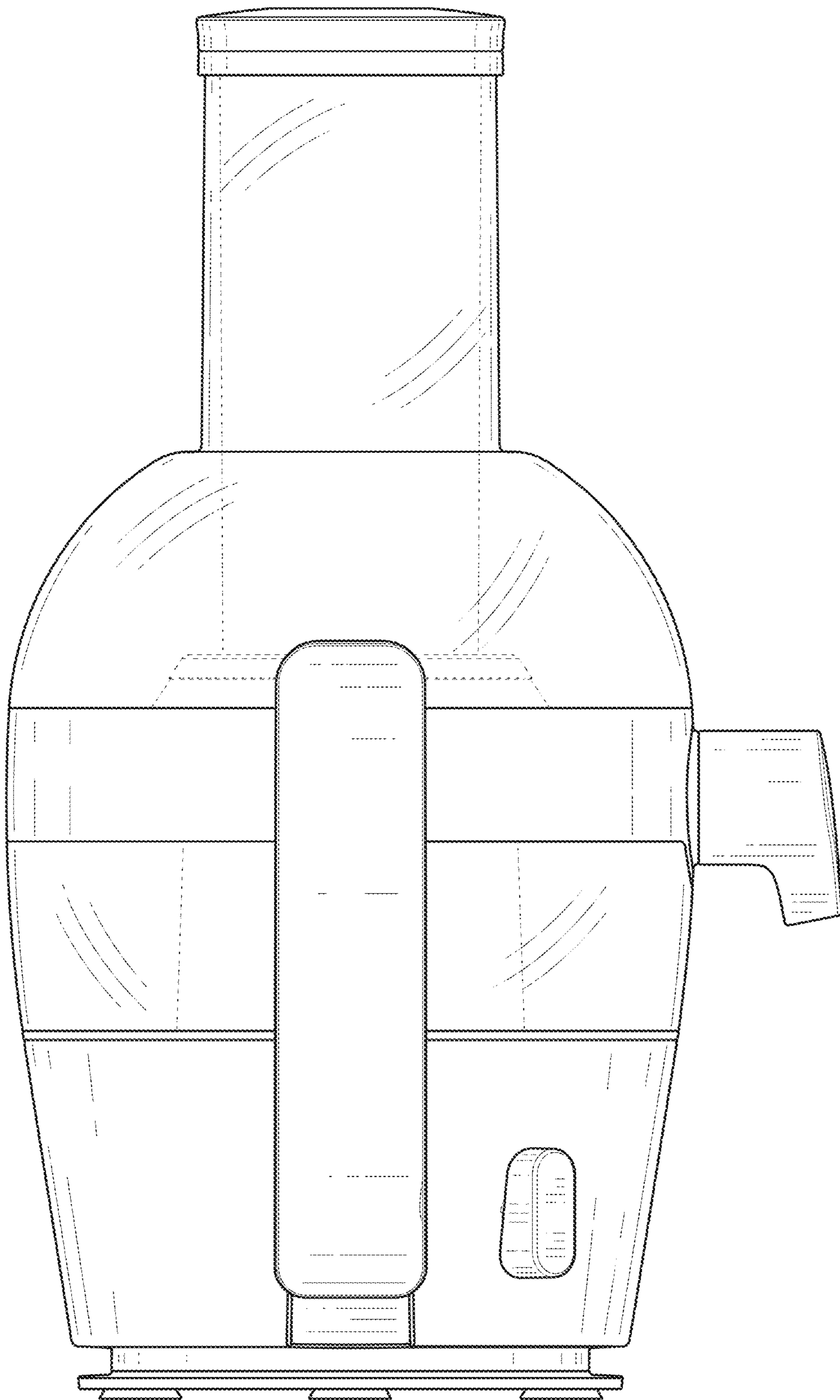


FIG. 4

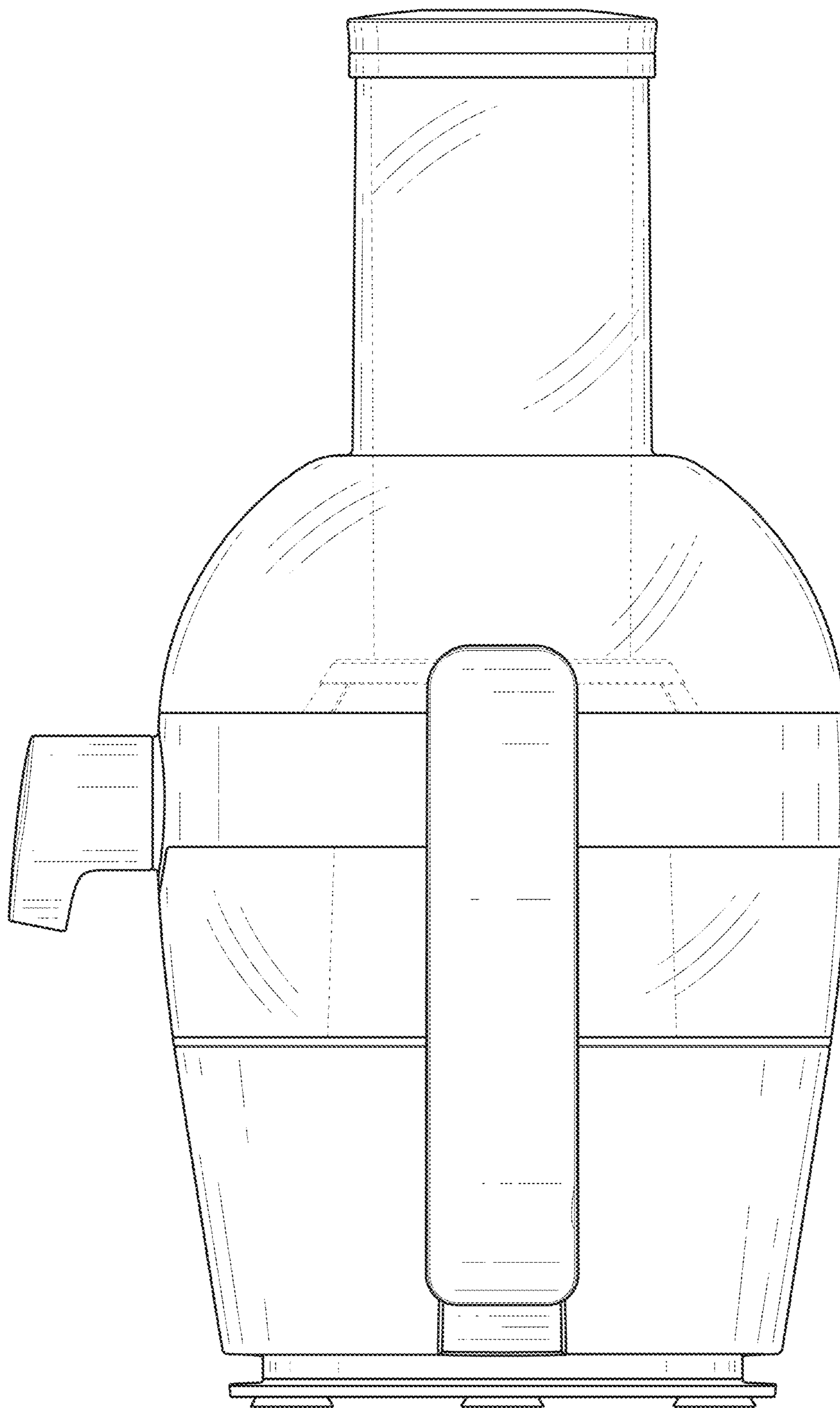


FIG. 5

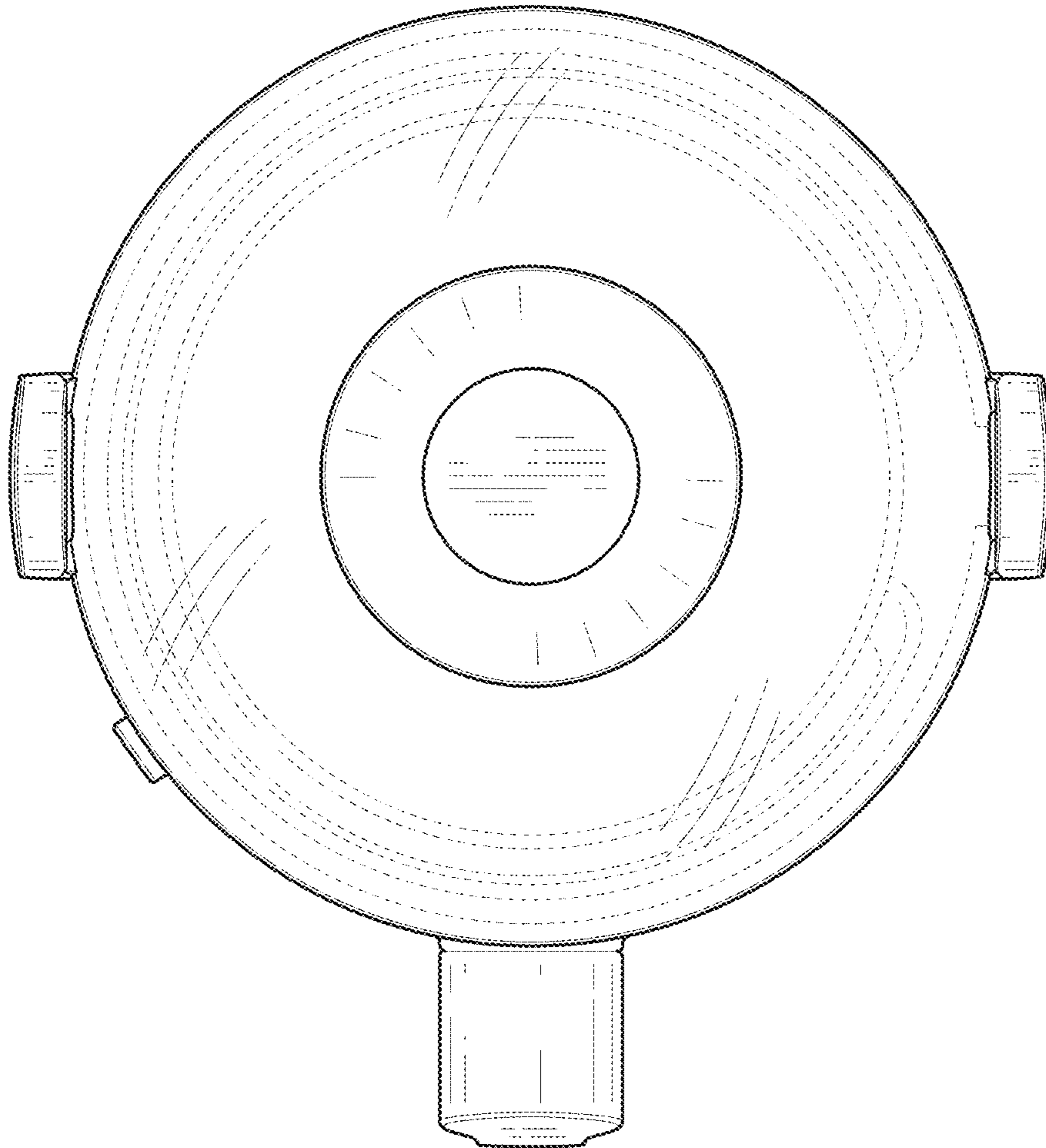


FIG. 6

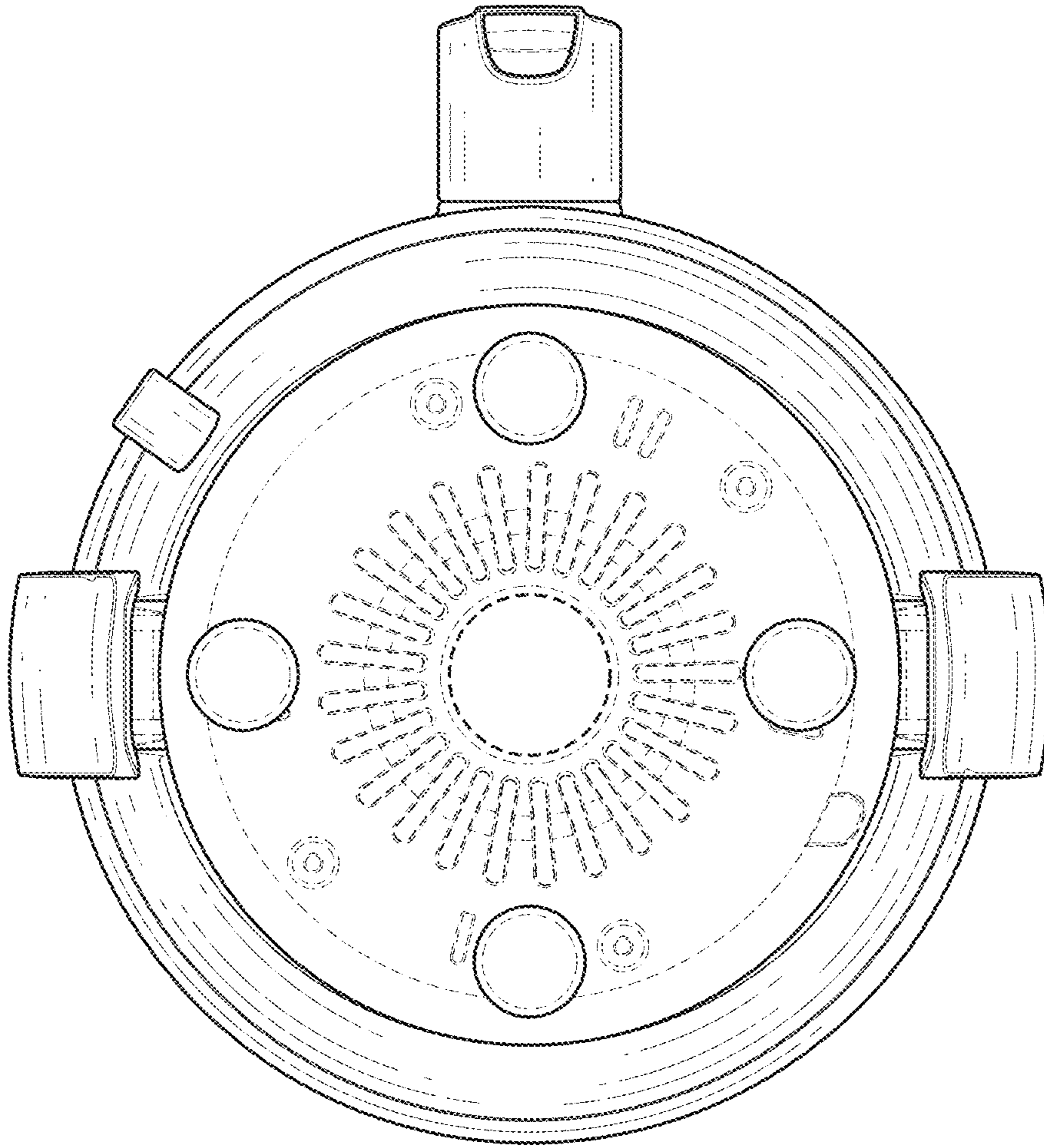


FIG. 7