



US00D880958S

(12) **United States Design Patent** (10) **Patent No.:** **US D880,958 S**
Dai (45) **Date of Patent:** **** Apr. 14, 2020**

(54) **CONTAINER** 4,144,985 A * 3/1979 Kinslow B65D 47/0847
220/254.3

(71) Applicant: **ShenZhen YiHong Technology Co., LTD**, ShenZhen, Guangdong (CN) (Continued)

(72) Inventor: **Yi Dai**, ShenZhen (CN)

(73) Assignee: **ShenZhen YIHONG Technology Co., LTD**, ShenZhen, Guangdong Province (CN)
CA 63607 * 7/1989
EP 006755625-0003 * 8/2019
(Continued)

(**) Term: **15 Years**

(21) Appl. No.: **29/699,370**

(22) Filed: **Jul. 25, 2019**

(51) **LOC (12) Cl.** **09-07**

(52) **U.S. Cl.**
USPC **D7/629**

(58) **Field of Classification Search**
USPC ... D7/300.1, 293.1, 591, 596, 602, 605-608, D7/612, 619.1, 624.2, 629-630; D9/416, D9/430, 432, 447-448, 518, 529, D9/567-568, 571-572, 763, 770, 772, D9/776; 206/216-217, 528-534, 537, 206/539-540, 549; D10/46.2
CPC B65D 81/24; B65D 2501/0081; B65D 65/18; A47G 23/04; A47J 41/00; A23C 9/1524; A23C 9/1307; A23L 3/24; A23P 20/18

See application file for complete search history.

(56) **References Cited**

U.S. PATENT DOCUMENTS

- 3,096,922 A * 7/1963 Graybill B65D 5/701
229/131.1
- D199,505 S * 11/1964 Swett D7/629
- D208,718 S * 9/1967 Appel D7/591
- 3,642,162 A * 2/1972 Doman B65D 1/22
220/659
- 3,872,996 A * 3/1975 Dogliotti B65D 47/0847
220/254.7

FOREIGN PATENT DOCUMENTS

CA 63607 * 7/1989
EP 006755625-0003 * 8/2019
(Continued)

OTHER PUBLICATIONS

Brilliance Pantry Organization Containers, Rubbermaid, published by blogger Tara on Jan. 19, 2018 © 2019, site visited Sep. 18, 2019. Available from Internet, URL: <https://unsophisticcook.com/small-pantry-organization/> (Year: 2018).*

(Continued)

Primary Examiner — Marissa J Cash
Assistant Examiner — Altaira J Swangin
(74) *Attorney, Agent, or Firm* — Jeanette Meng Nakagawa

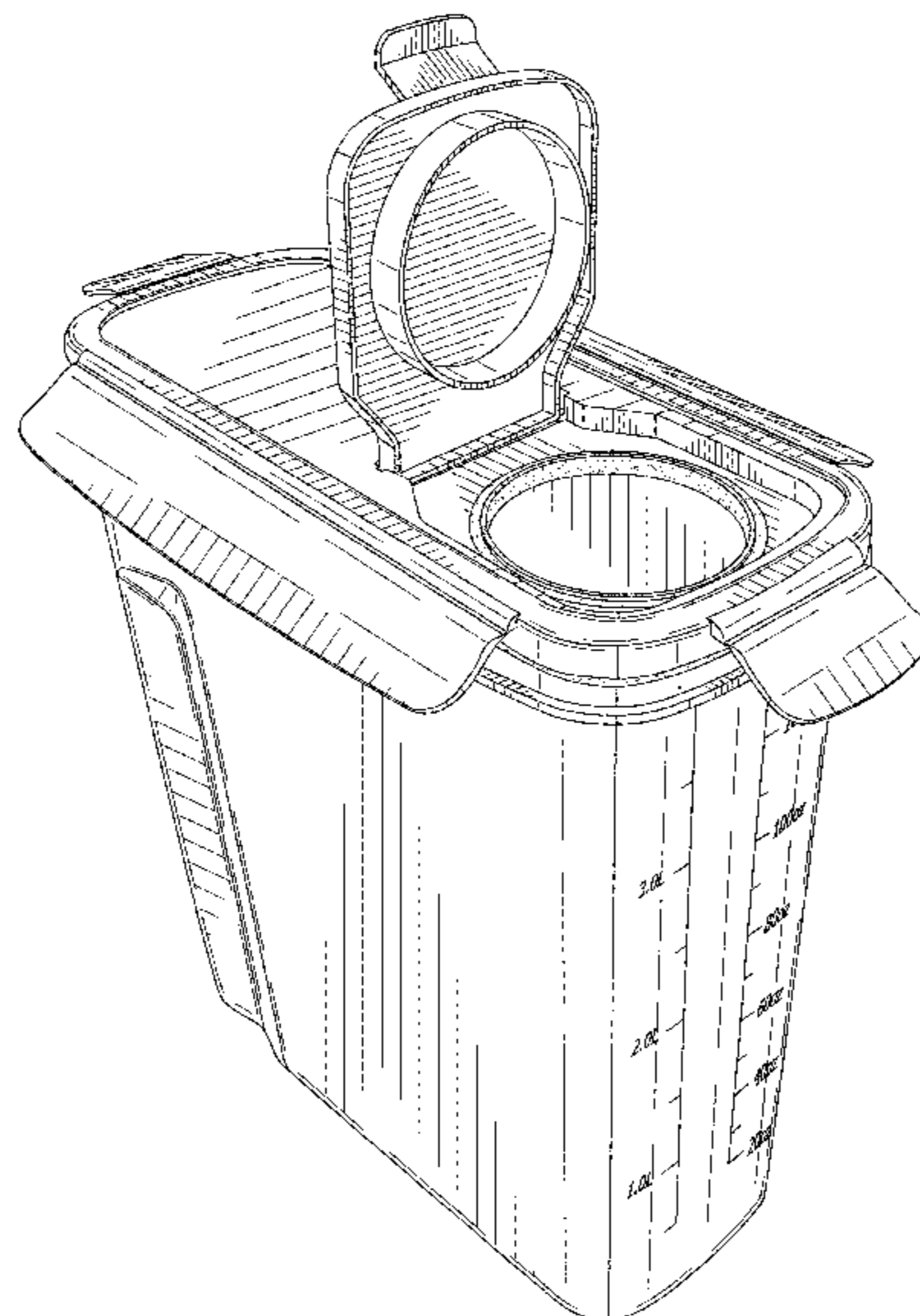
(57) **CLAIM**

The ornamental design for a container, as shown and described.

DESCRIPTION

FIG. 1 is a top front perspective view of a container, showing my new design with a lid in an opened position.
FIG. 2 is a top view thereof;
FIG. 3 is a left side view thereof;
FIG. 4 is a front view thereof;
FIG. 5 is a back view thereof;
FIG. 6 is a right side view thereof;
FIG. 7 is a bottom view thereof; and,
FIG. 8 is another perspective view of the container of FIGS. 1-7, showing the lid in a closed position.
Drawings are shaded to indicate contrasting surfaces.

1 Claim, 8 Drawing Sheets



(56)

References Cited

U.S. PATENT DOCUMENTS

4,163,496 A * 8/1979 Dogliotti B65D 47/0847
 206/538
 D272,419 S * 1/1984 Persch D9/420
 4,538,731 A * 9/1985 Cillario B65D 47/0847
 206/540
 4,759,478 A * 7/1988 Richardson B65D 43/161
 206/508
 D312,190 S * 11/1990 Ciaccio D7/596
 D322,223 S * 12/1991 Moffet D9/435
 D364,344 S * 11/1995 Shaw D9/421
 D369,755 S * 5/1996 Burcham D10/46.2
 5,518,152 A * 5/1996 Burcham G01F 11/26
 222/158
 D396,998 S * 8/1998 Wietlisbach D7/596
 D401,868 S * 12/1998 Robbins D10/46.2
 5,884,800 A * 3/1999 Hall B65D 25/16
 220/495.03
 D418,068 S * 12/1999 Robbins, III D10/46.2
 6,006,901 A * 12/1999 Pereira Da Silva A47K 5/08
 206/540
 D442,485 S * 5/2001 Sumpmann D7/602
 6,261,615 B1 * 7/2001 Sumpmann B65D 3/22
 220/676
 6,338,864 B1 * 1/2002 Deering B65D 3/22
 229/122.32
 D491,065 S * 6/2004 Solowiejko D9/435
 D495,256 S * 8/2004 Solowiejko D9/435
 D497,106 S * 10/2004 Solowiejko D9/518
 7,581,656 B2 * 9/2009 Gnepper B65D 1/40
 206/459.5
 D601,386 S * 10/2009 Carlson D7/602
 D601,387 S * 10/2009 Carlson D7/602
 D603,656 S * 11/2009 Thompson D7/591
 D651,477 S * 1/2012 Nie
 D651,528 S * 1/2012 Robbins, III D10/46.2
 D655,159 S * 3/2012 Killandi D9/435
 8,132,690 B2 * 3/2012 Hall B65D 47/0847
 220/254.3
 D673,333 S * 12/2012 Duvigneau D30/133
 D736,570 S * 8/2015 Sykes D10/46.2
 D772,635 S * 11/2016 Zhu D7/317
 D778,669 S * 2/2017 Kestenbaum D10/46.2
 D819,398 S * 6/2018 Kestenbaum D7/401
 D828,717 S * 9/2018 Zhang
 2001/0011678 A1 * 8/2001 Sumpmann B65D 5/12
 229/125.08

2002/0009524 A1 * 1/2002 Deering B65D 5/14
 426/115
 2004/0084464 A1 * 5/2004 Koo B65D 43/0218
 220/784
 2004/0146618 A1 * 7/2004 Stewart B65D 3/268
 426/418
 2007/0014898 A1 * 1/2007 Spirk B65D 1/22
 426/106
 2007/0045132 A1 * 3/2007 Anderson B44D 3/125
 206/209
 2013/0098934 A1 * 4/2013 Giraud B65D 43/162
 220/849
 2013/0105486 A1 * 5/2013 Mashburn B65F 1/06
 220/495.06
 2013/0309515 A1 * 11/2013 Zheng B32B 7/12
 428/513
 2014/0311955 A1 * 10/2014 Jadick A47J 47/04
 209/235
 2015/0251826 A1 * 9/2015 Lee B65D 47/0895
 220/812

FOREIGN PATENT DOCUMENTS

EP 006755625-0004 * 8/2019
 GB 1059422 * 5/1989
 KR 300783478.0000 * 2/2015
 KR 300823167.0000 * 11/2015
 KR 301020138.0000 * 8/2019

OTHER PUBLICATIONS

Modular Food Storage Cereal Container, Rubbermaid, published by Rubbermaid, customer images posted on Mar. 9, 2016 © 1996-2019 Amazon.com, Inc., site visited Sep. 18, 2019. Available from Internet, URL: <https://www.amazon.com/dp/B00BEUDXRW/> (Year: 2016).*

Cereal Container, Sagler, published by Sagler, customer images posted on Jan. 22, 2018 © 1996-2019 Amazon.com, Inc., site visited Sep. 18, 2019. Available from Internet, URL: <https://www.amazon.com/cereal-container-PACK-containers-dispenser/dp/B077GFW7ZH> (Year: 2018).*

Cereal Container, Komax, published by Komax, customer images posted on Sep. 27, 2017 © 1996-2019 Amazon.com, Inc., site visited Sep. 18, 2019. Available from Internet, URL: <https://www.amazon.com/Komax-Biokips-Original-Airtight-Container/dp/B00M232BC8> (Year: 2017).*

* cited by examiner

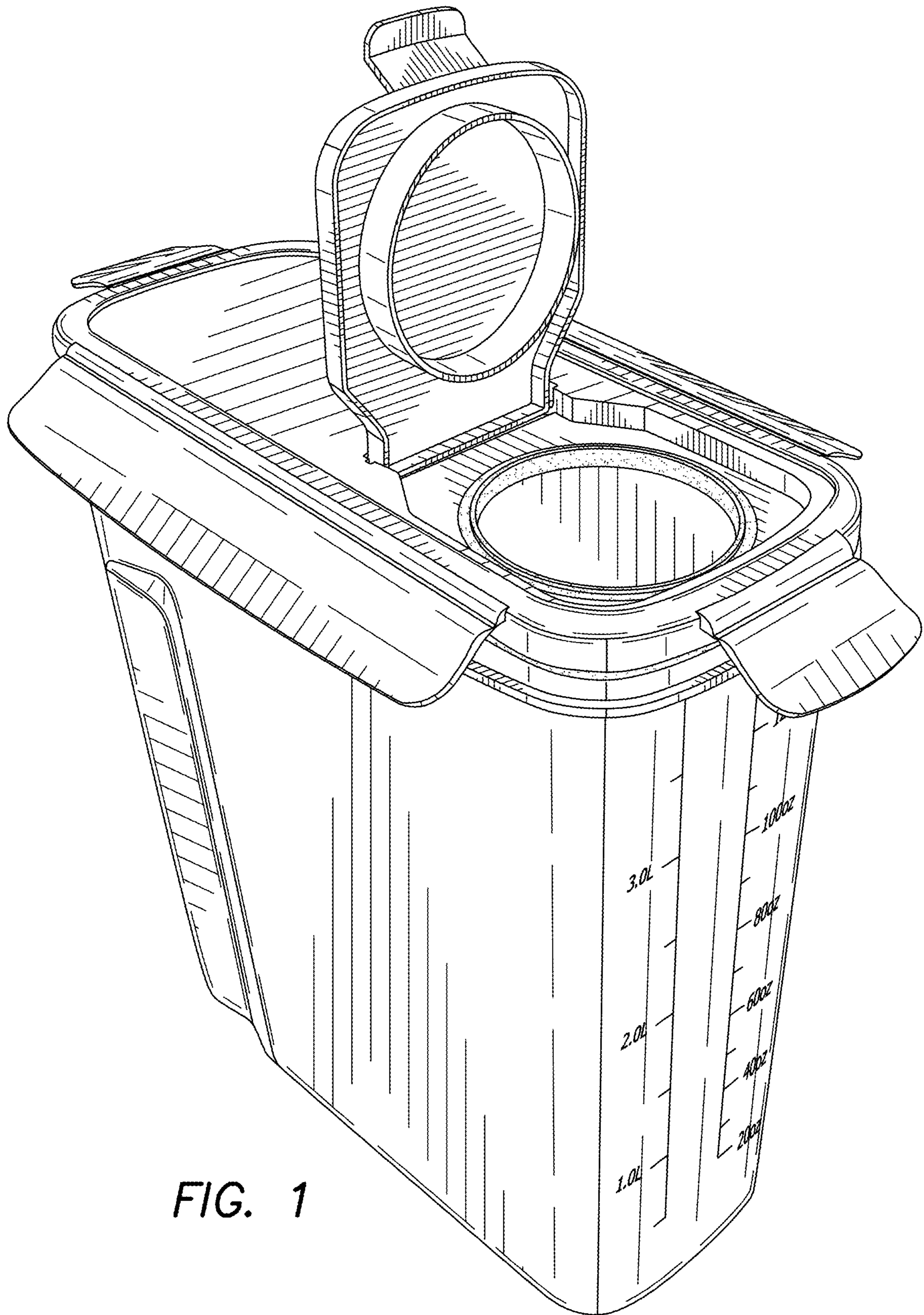


FIG. 1

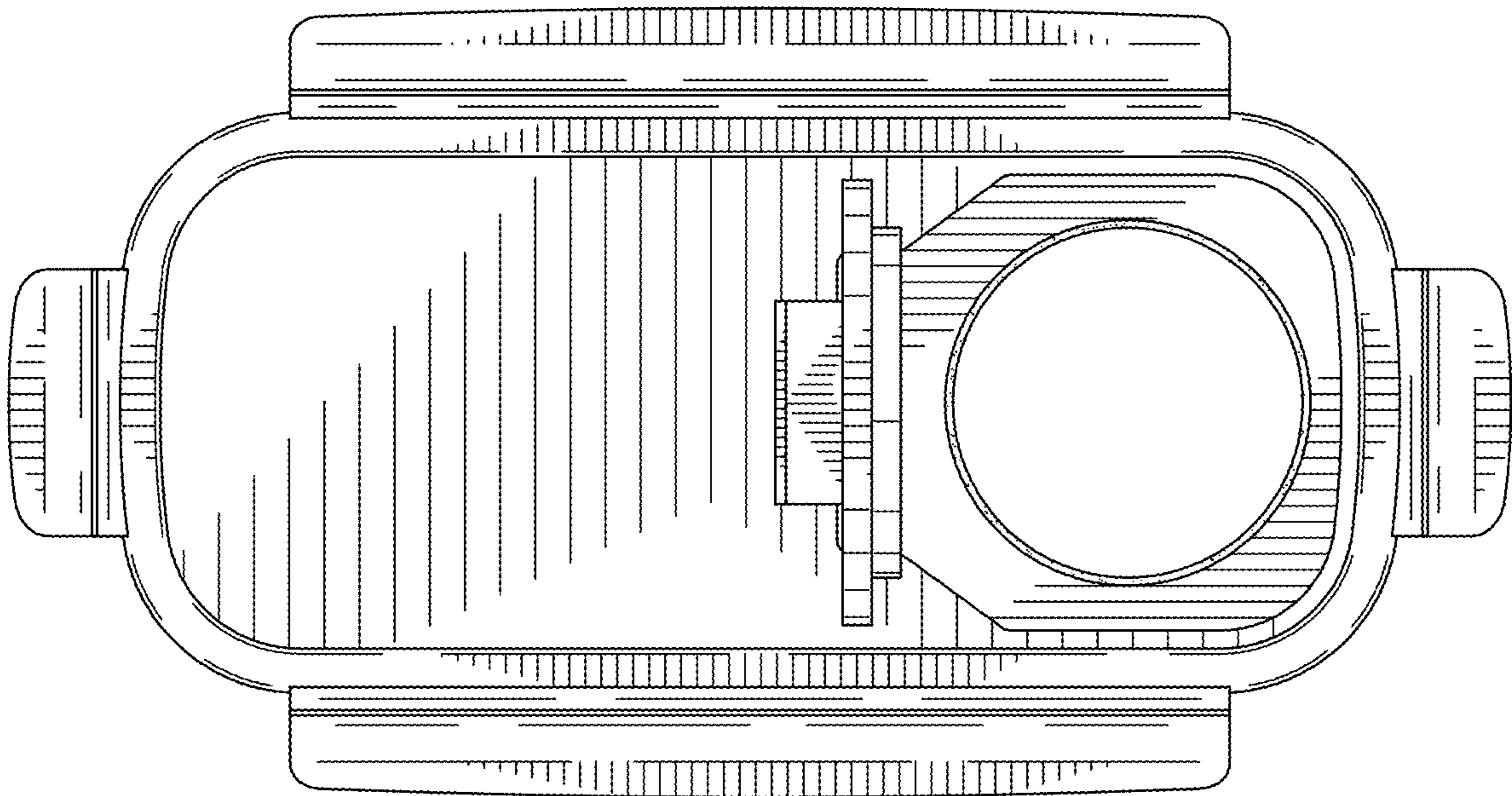


FIG. 2

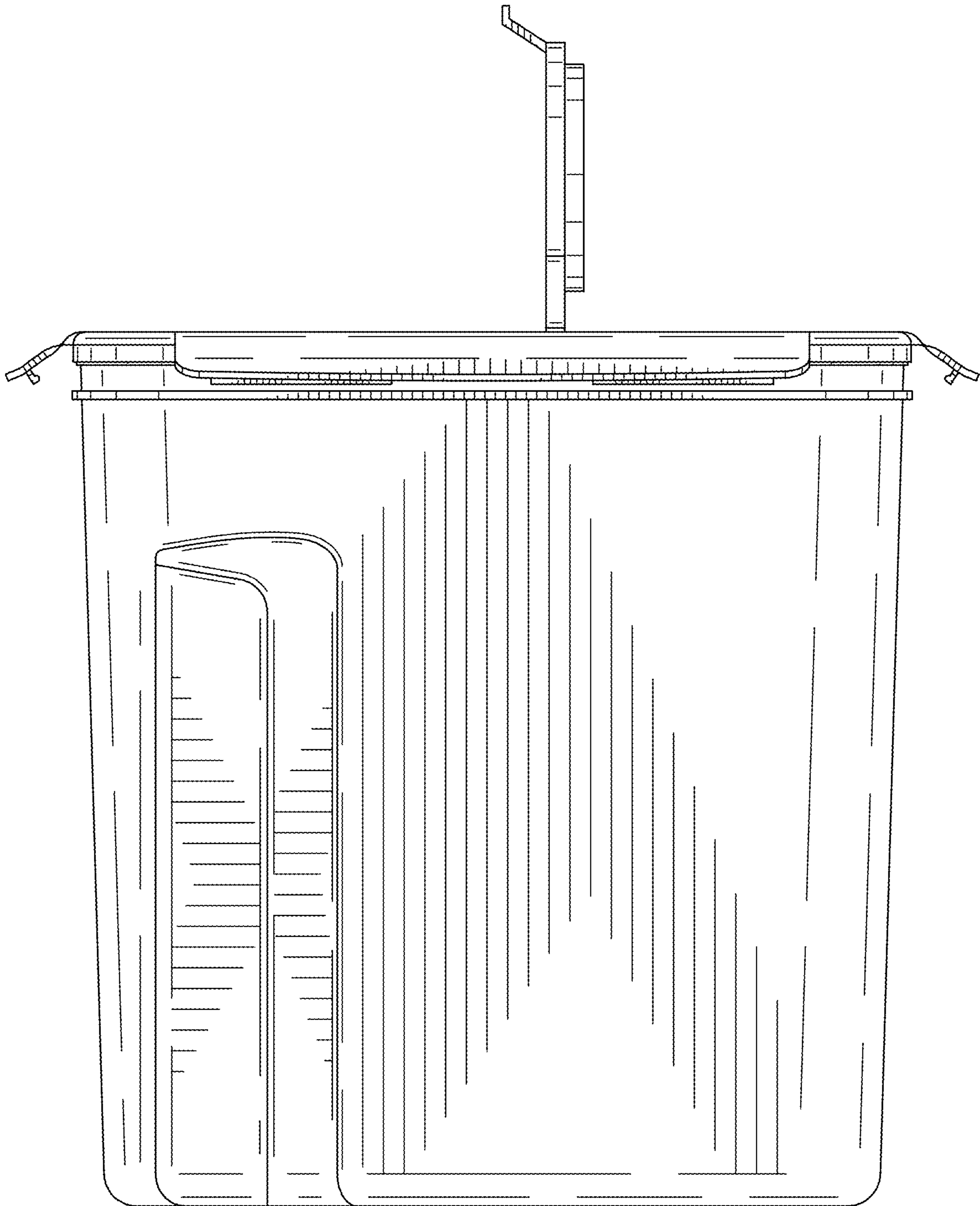


FIG. 3

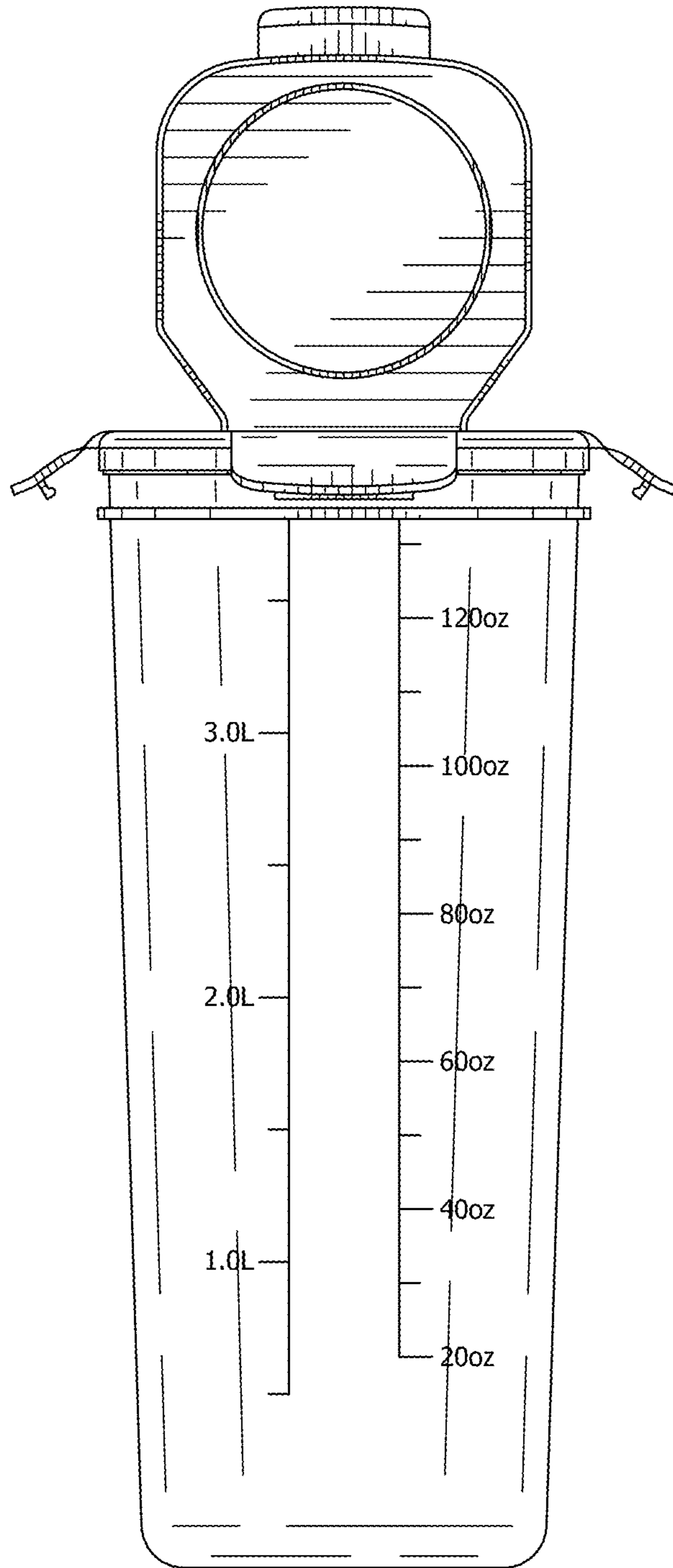


FIG. 4

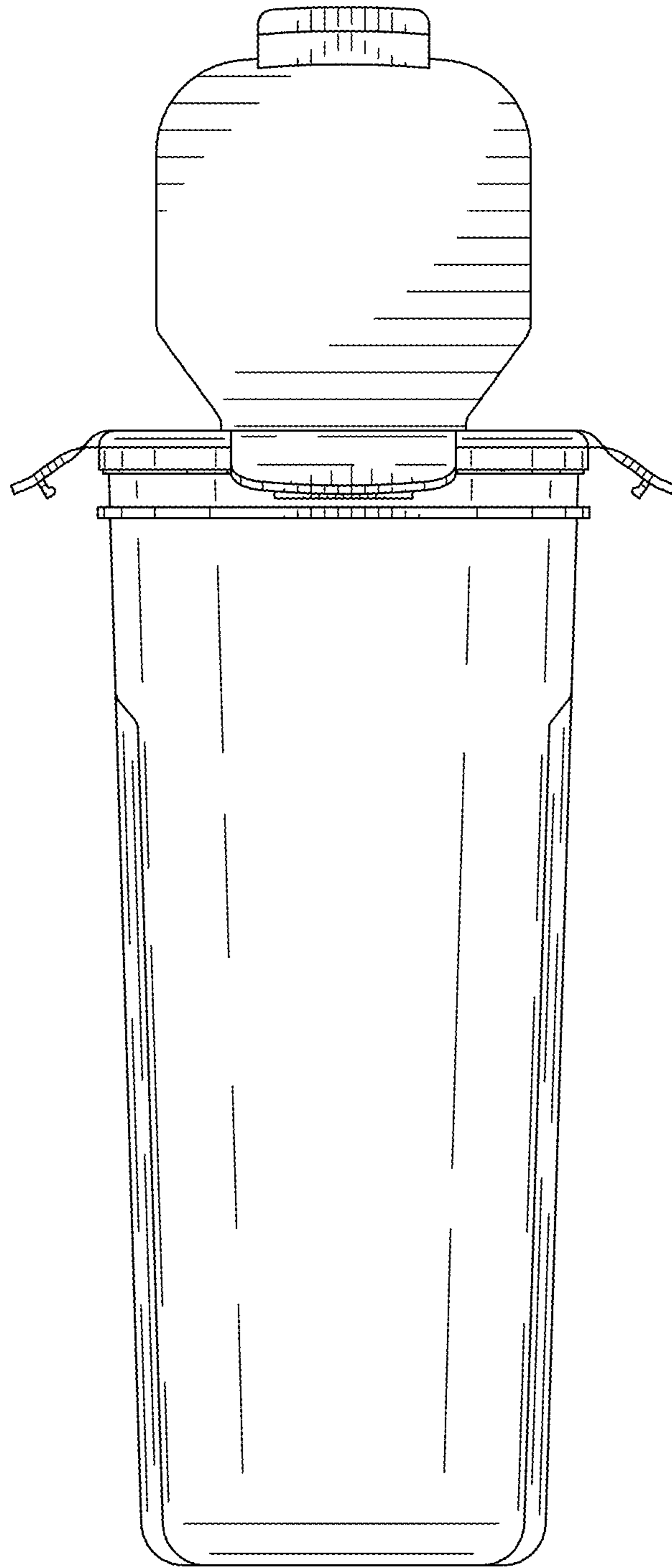


FIG. 5

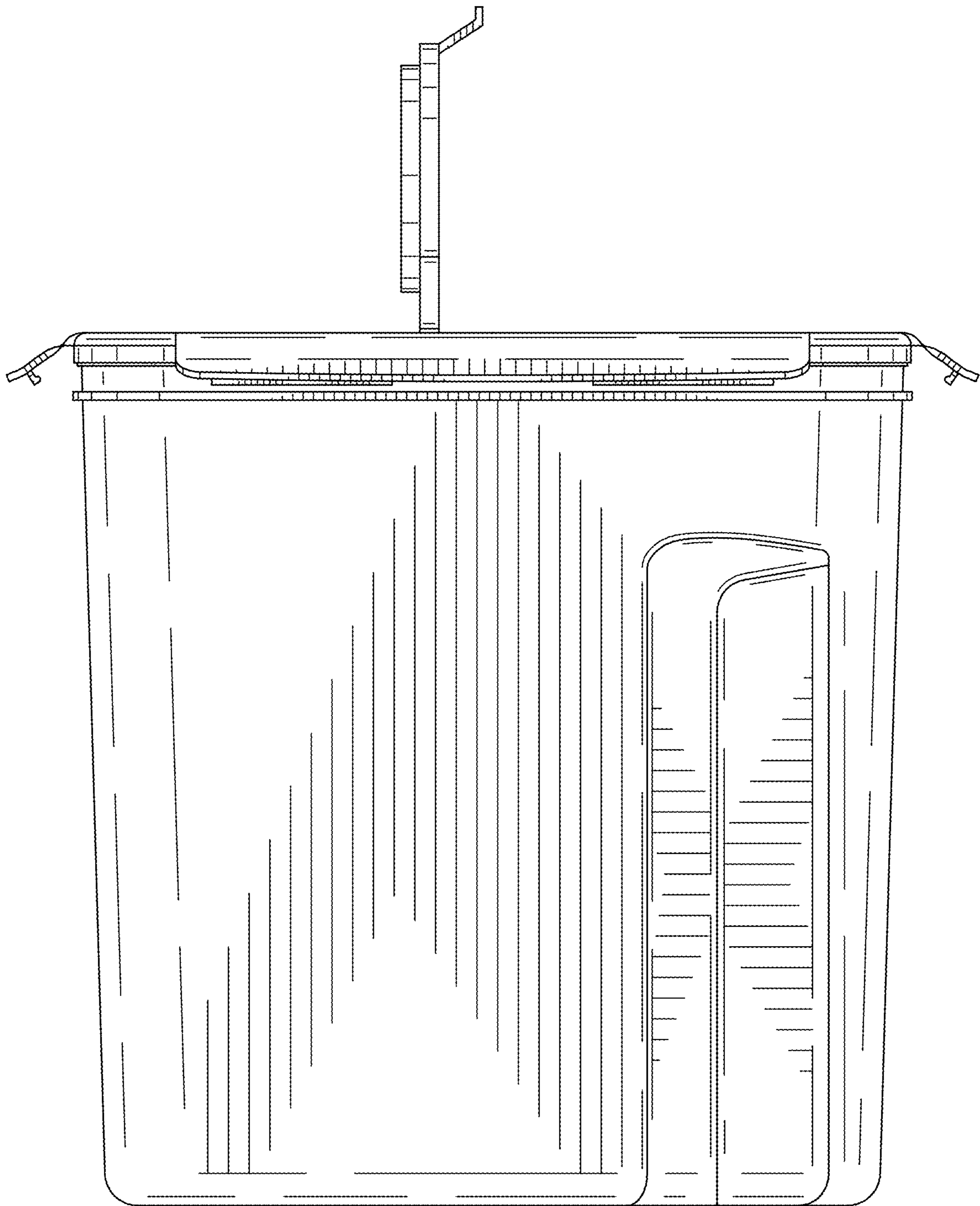


FIG. 6

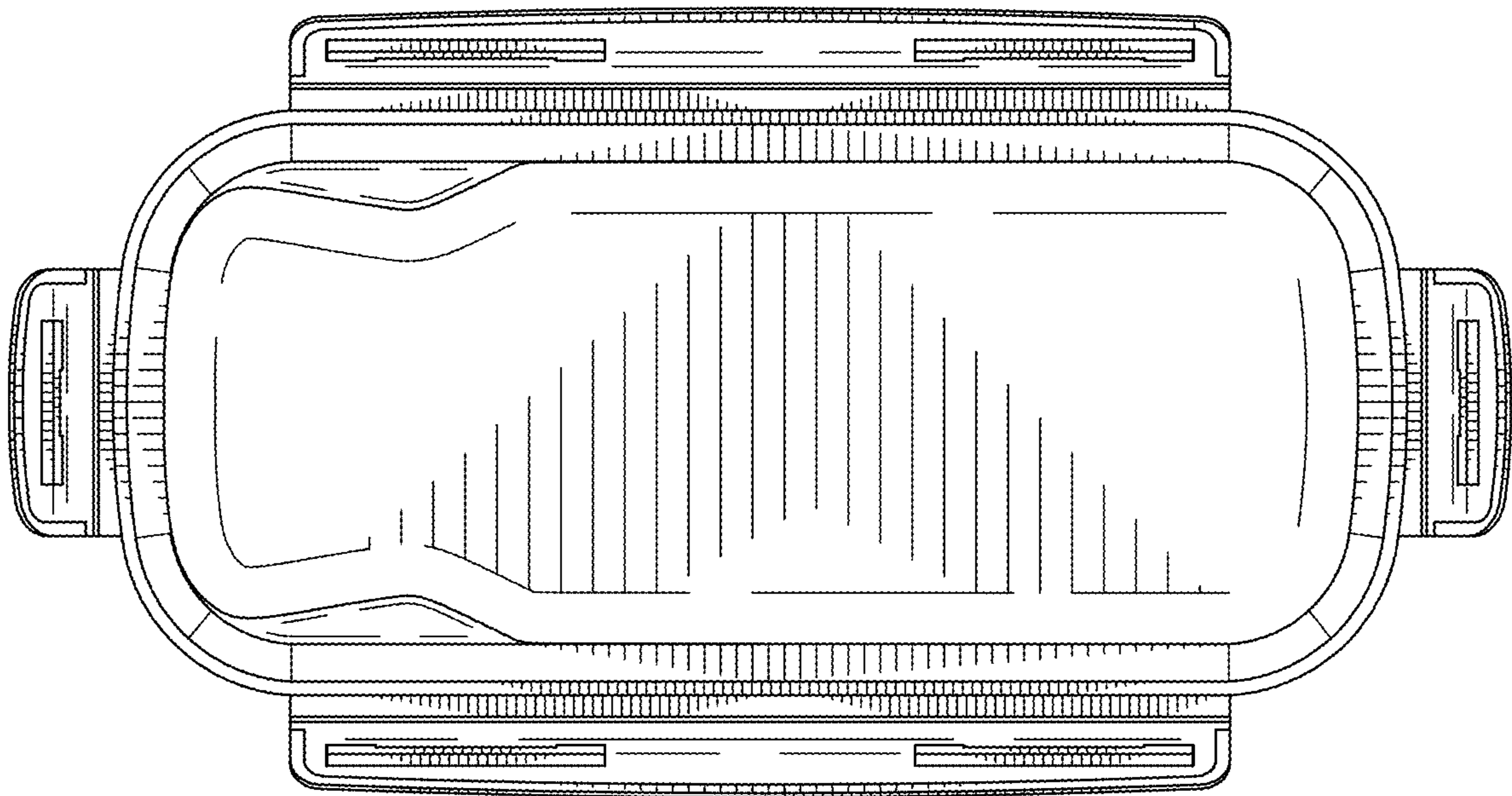


FIG. 7

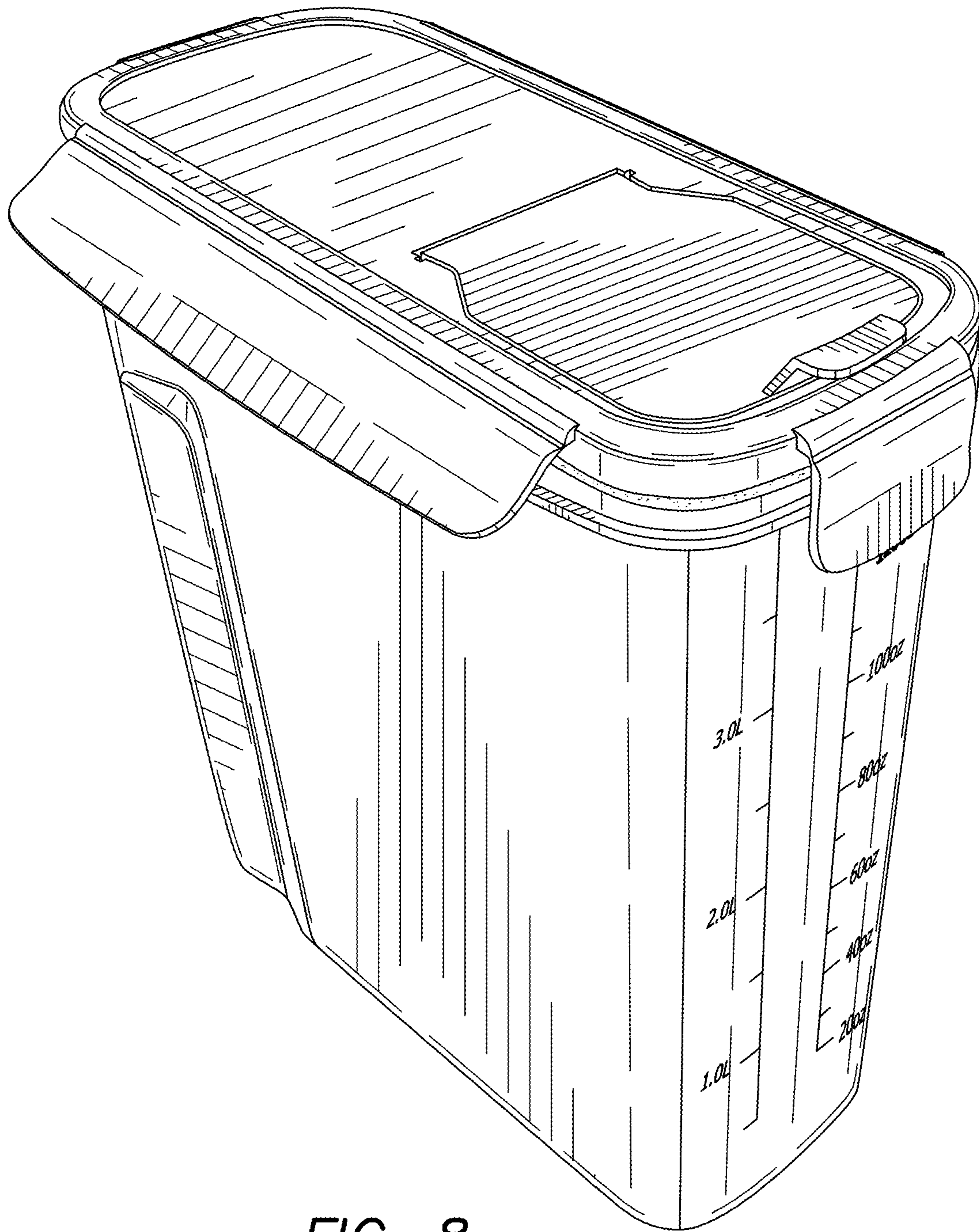


FIG. 8