



US00D880957S

(12) **United States Design Patent** (10) **Patent No.:** **US D880,957 S**  
**Xu** (45) **Date of Patent:** **\*\* Apr. 14, 2020**

(54) **LUNCH BOX**  
(71) Applicant: **Jingsheng Xu**, Hunan (CN)  
(72) Inventor: **Jingsheng Xu**, Hunan (CN)  
(\*\*) Term: **15 Years**  
(21) Appl. No.: **29/671,661**  
(22) Filed: **Nov. 29, 2018**

8,376,177 B2 \* 2/2013 Castner ..... A45C 11/20  
206/561  
D698,206 S \* 1/2014 Molayem ..... D7/629  
D698,614 S \* 2/2014 Duvigneau ..... D7/629  
D718,983 S \* 12/2014 Yessin ..... D7/629  
D763,629 S \* 8/2016 Swartz ..... D7/629  
D801,754 S \* 11/2017 Neumann ..... A45C 11/20  
D7/629  
2006/0201950 A1 \* 9/2006 Liu ..... B65D 1/24  
220/526  
2010/0224531 A1 \* 9/2010 Claffy ..... A47G 23/06  
206/561

(30) **Foreign Application Priority Data**

Nov. 26, 2018 (EM) ..... 005834504-0001

(51) **LOC (12) Cl.** ..... **07-01**  
(52) **U.S. Cl.**  
USPC ..... **D7/629**

(58) **Field of Classification Search**  
USPC ..... D7/601, 629, 550.1, 551.1, 551.2, 551.3,  
D7/552.1, 552.2, 553.1, 553.2, 553.3,  
D7/553.4, 553.5, 553.7, 553.8, 554.1,  
D7/554.3, 554.4, 555, 557, 630, 538-542,  
D7/612-615, 584, 586, 587, 392.1, 709,  
D7/502, 608, 622; D9/424-432, 737,  
D9/759, 761; D3/273, 274, 201-206,  
D3/276, 283, 284, 295, 302  
CPC ..... B65D 1/36; B65D 25/04; B65D 21/0206;  
B65D 2543/00175; B65D 2543/00296  
See application file for complete search history.

(56) **References Cited**

**U.S. PATENT DOCUMENTS**

D472,774 S \* 4/2003 Pelstring ..... D7/629  
D516,388 S \* 3/2006 Wells ..... D7/629  
D616,258 S \* 5/2010 Miros ..... D7/629  
D655,988 S \* 3/2012 Miros ..... D7/629  
8,328,034 B2 \* 12/2012 Miros ..... B65B 7/16  
220/4.22

\* cited by examiner

*Primary Examiner* — Derrick E Holland

*Assistant Examiner* — Andrew Kerr

(74) *Attorney, Agent, or Firm* — Wayne & Ken, LLC;  
Tony Hom

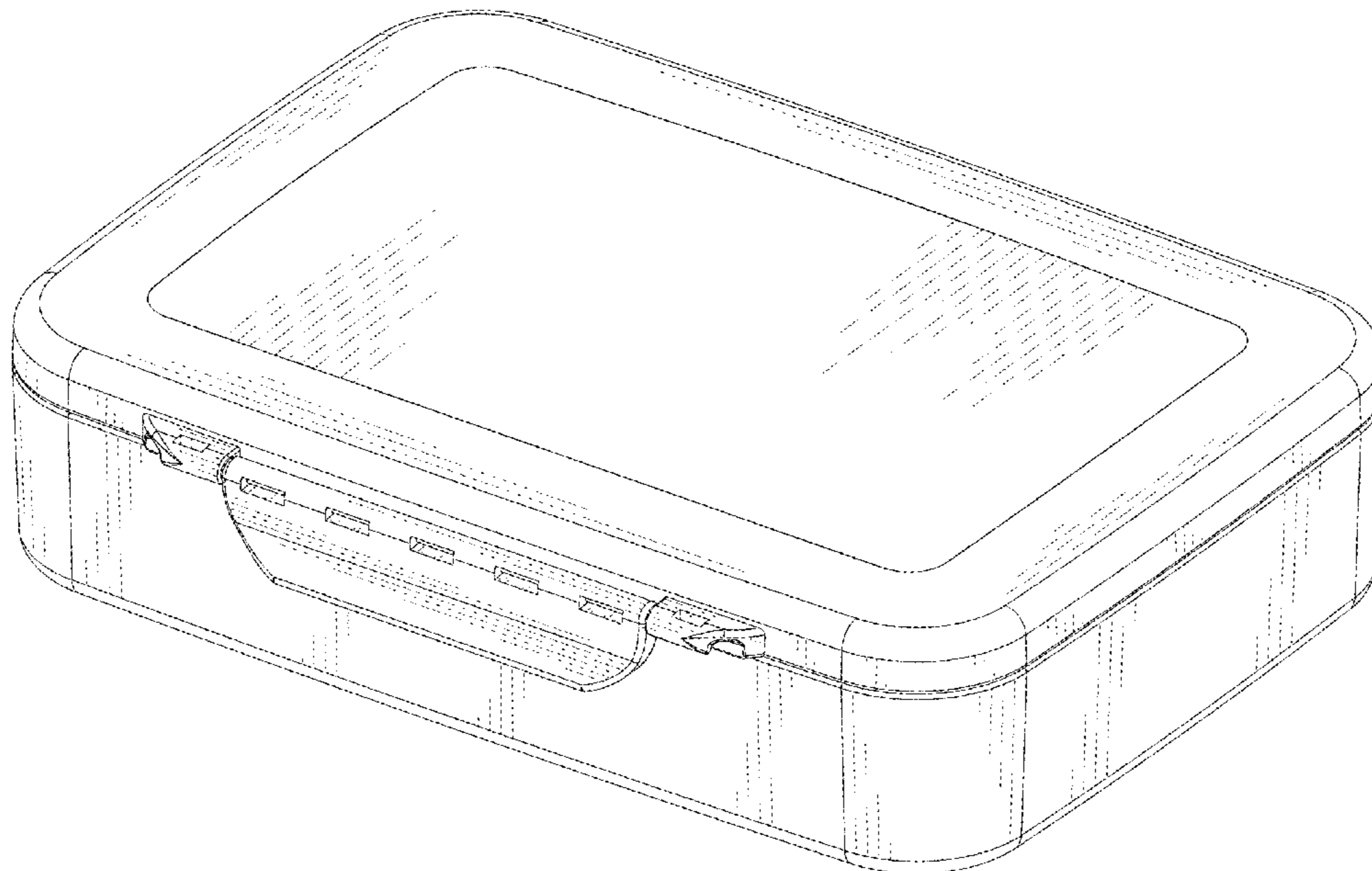
(57) **CLAIM**

The ornamental design for a lunch box, as shown and described.

**DESCRIPTION**

FIG. 1 is a front perspective view of a lunch box showing my new design;  
FIG. 2 is a back perspective view thereof;  
FIG. 3 is a front view thereof;  
FIG. 4 is a back view thereof;  
FIG. 5 is a left view thereof;  
FIG. 6 is a right view thereof;  
FIG. 7 is a top view thereof;  
FIG. 8 is a bottom view thereof;  
FIG. 9 is a perspective view in open state thereof;  
FIG. 10 is an exploded perspective view in an open state thereof; and,  
FIG. 11 is a third perspective view in open state thereof.

**1 Claim, 11 Drawing Sheets**



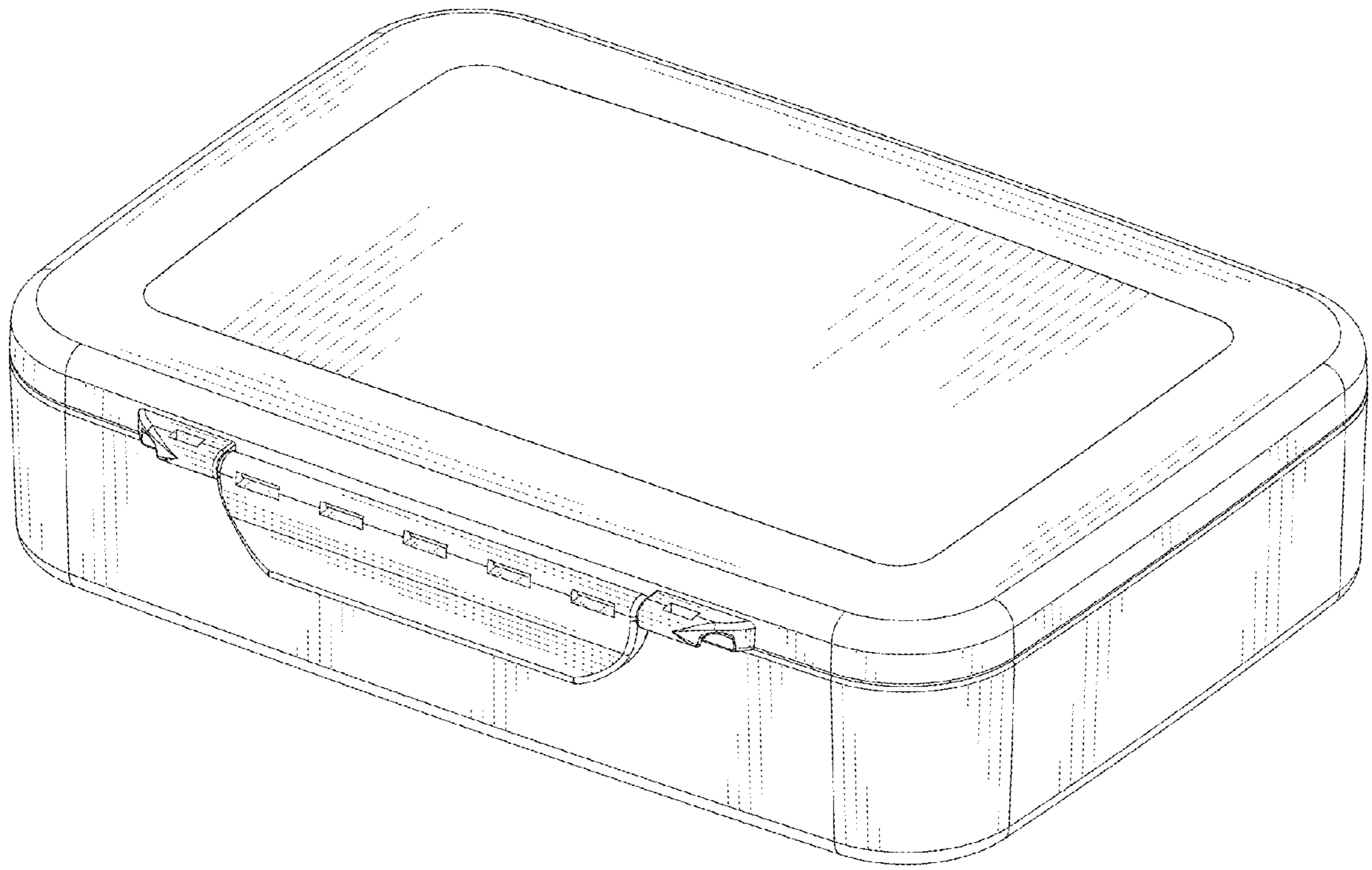


FIG. 1

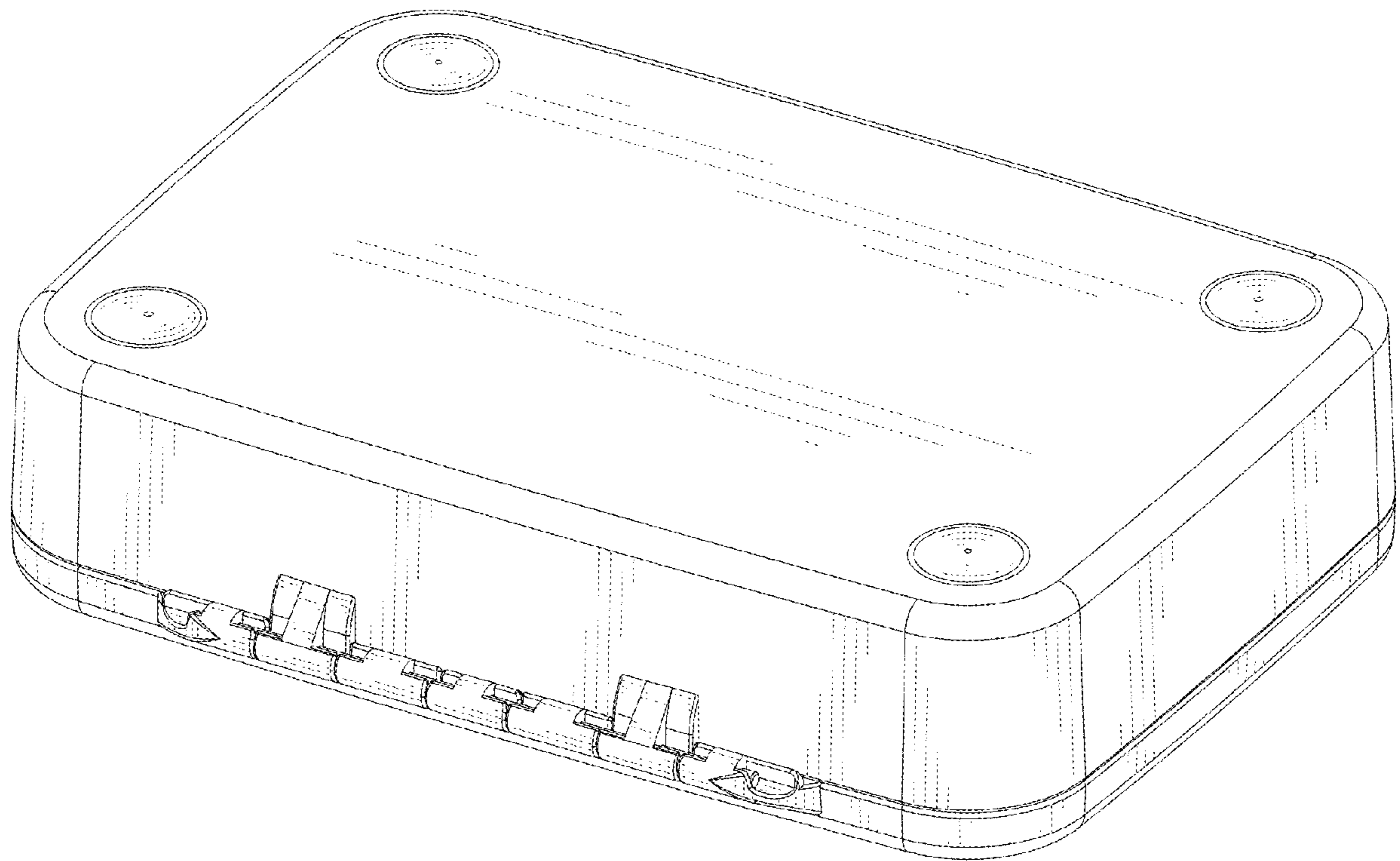


FIG. 2

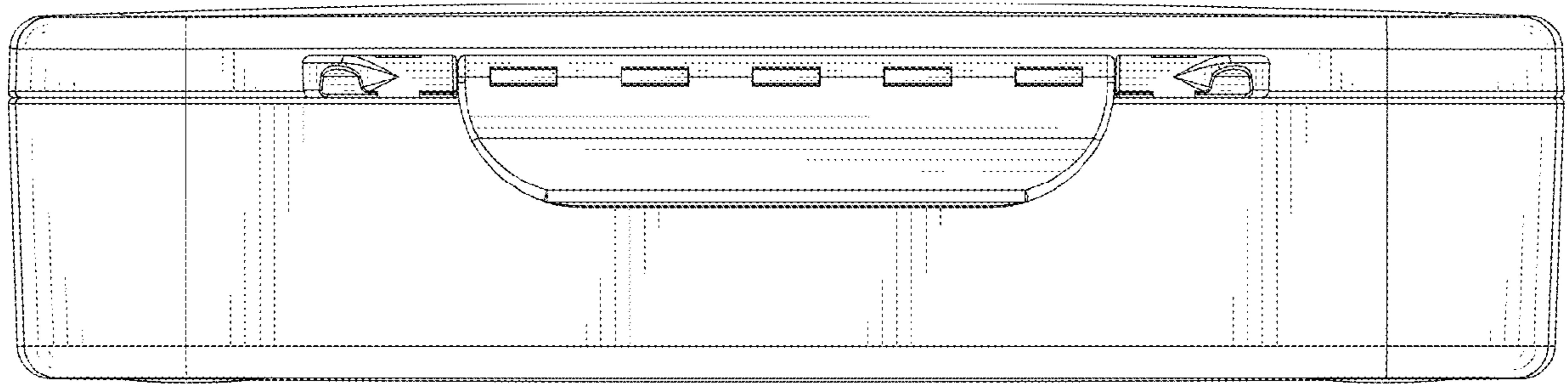


FIG. 3

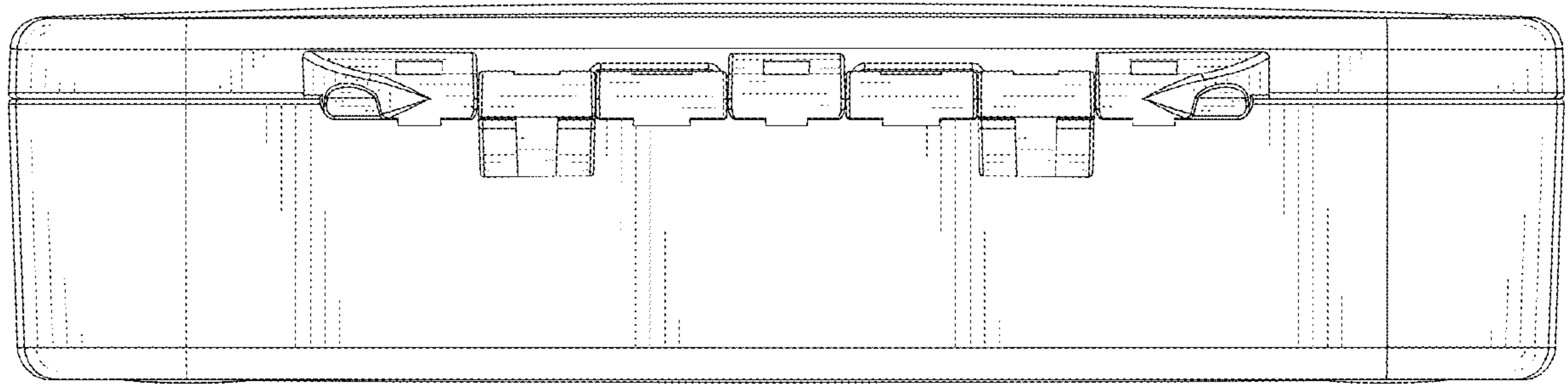


FIG. 4

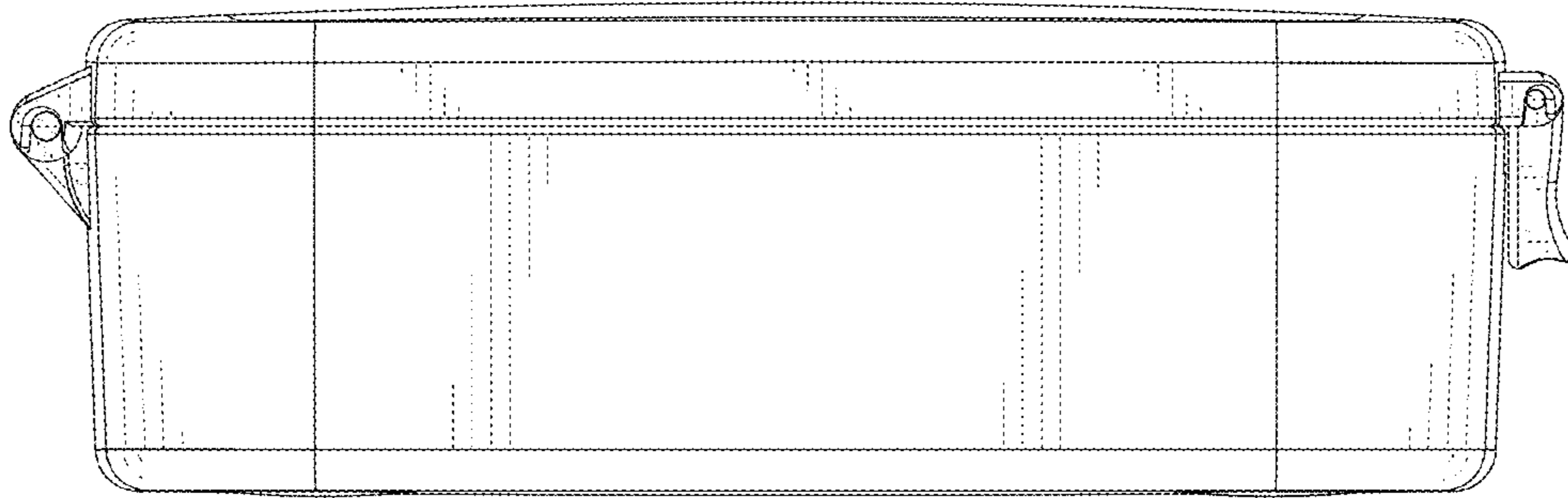


FIG. 5

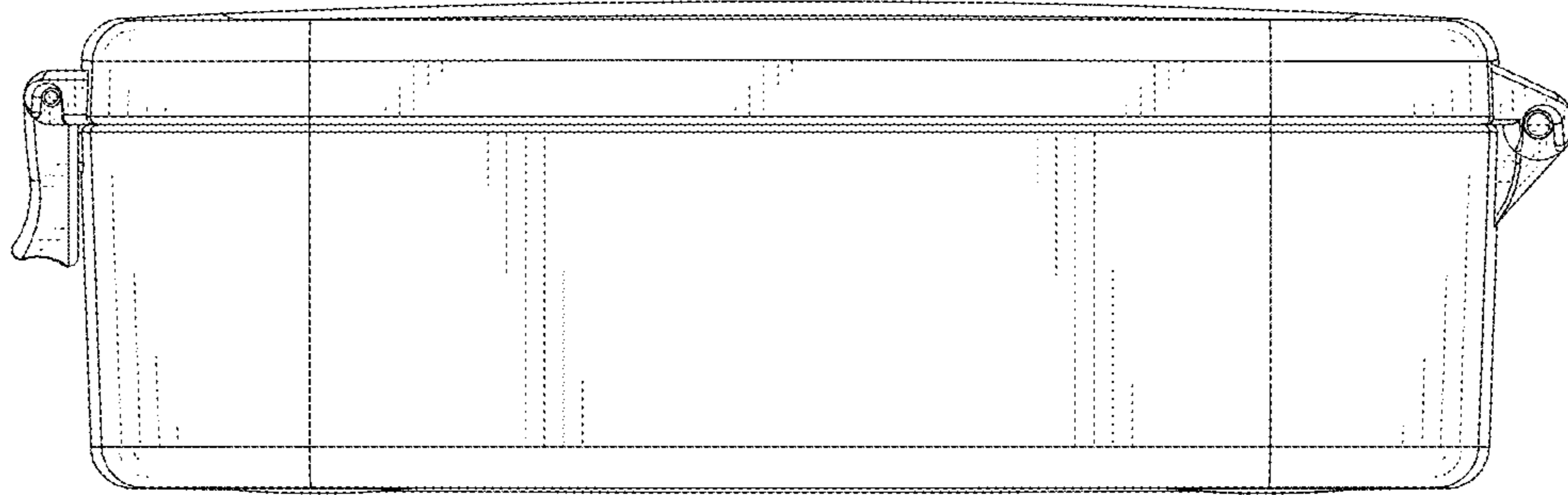


FIG. 6

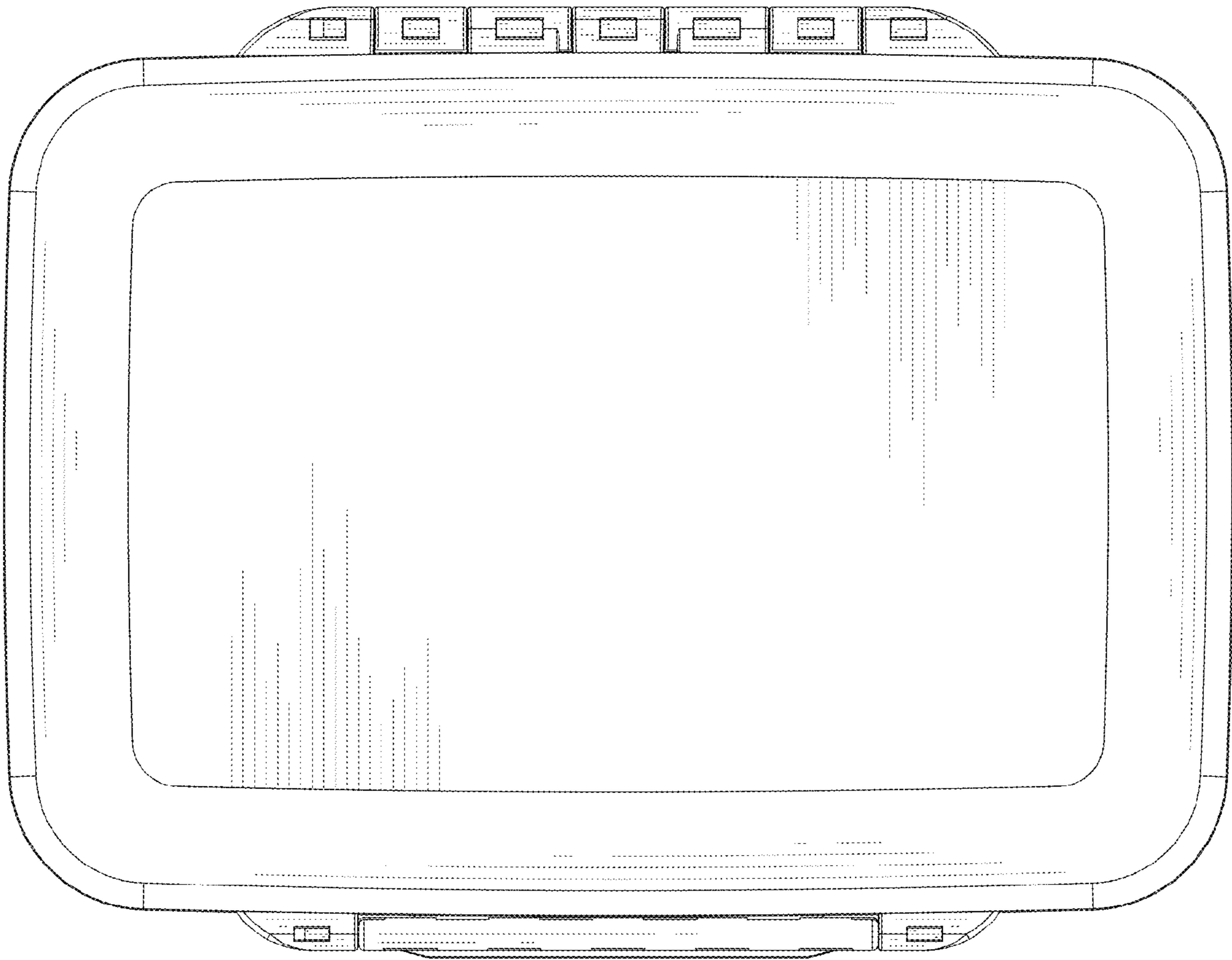


FIG. 7



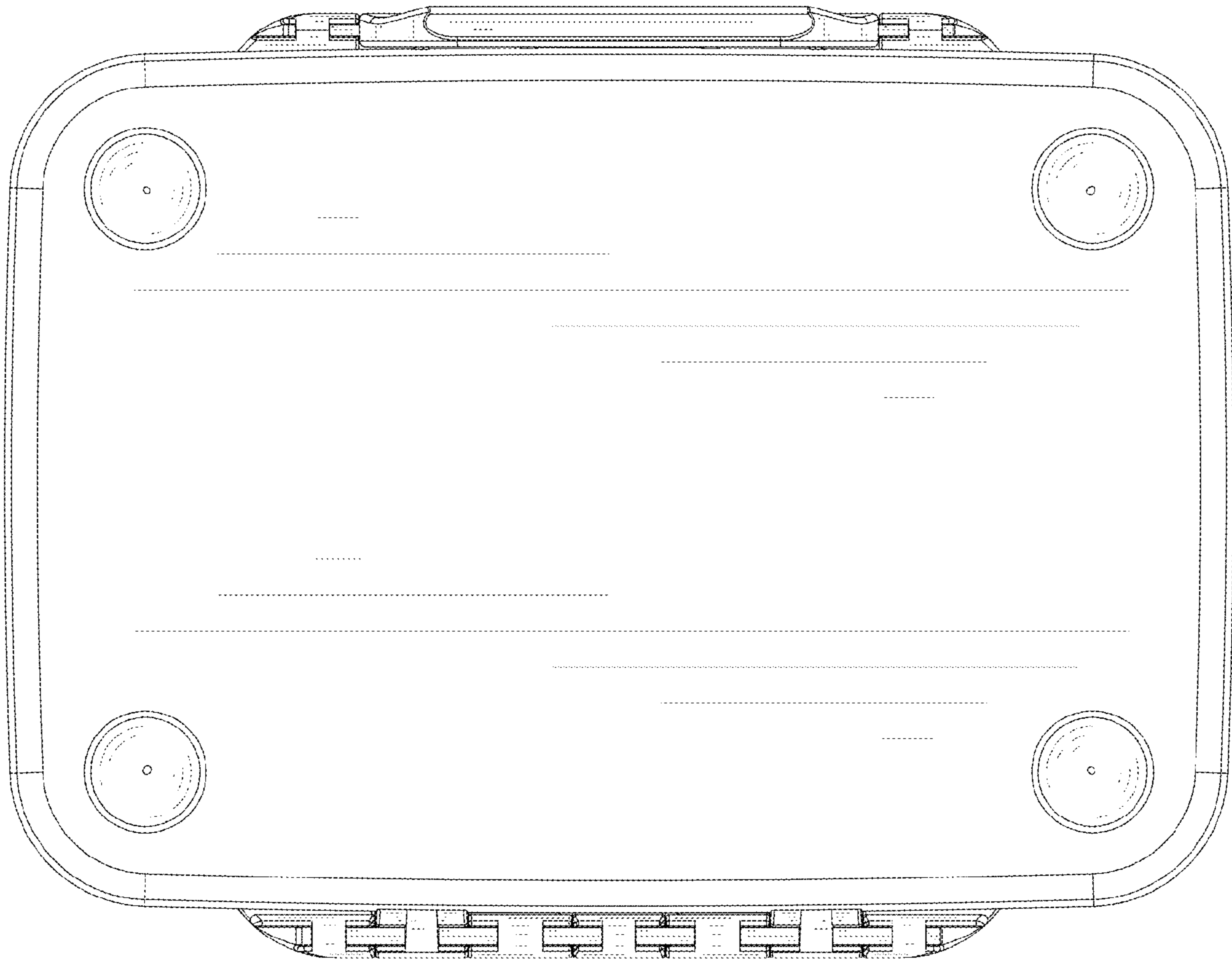


FIG. 8

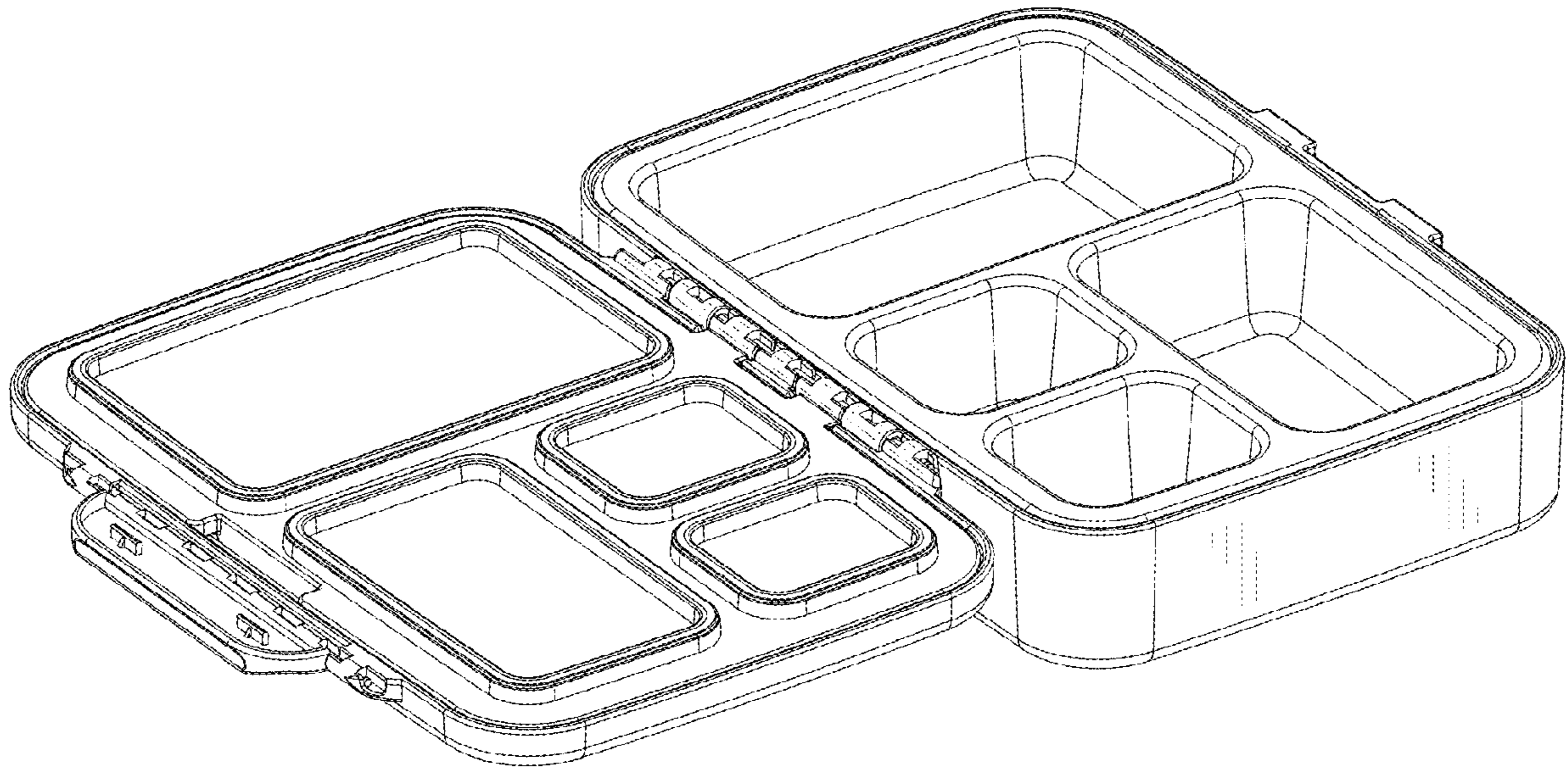


FIG. 9

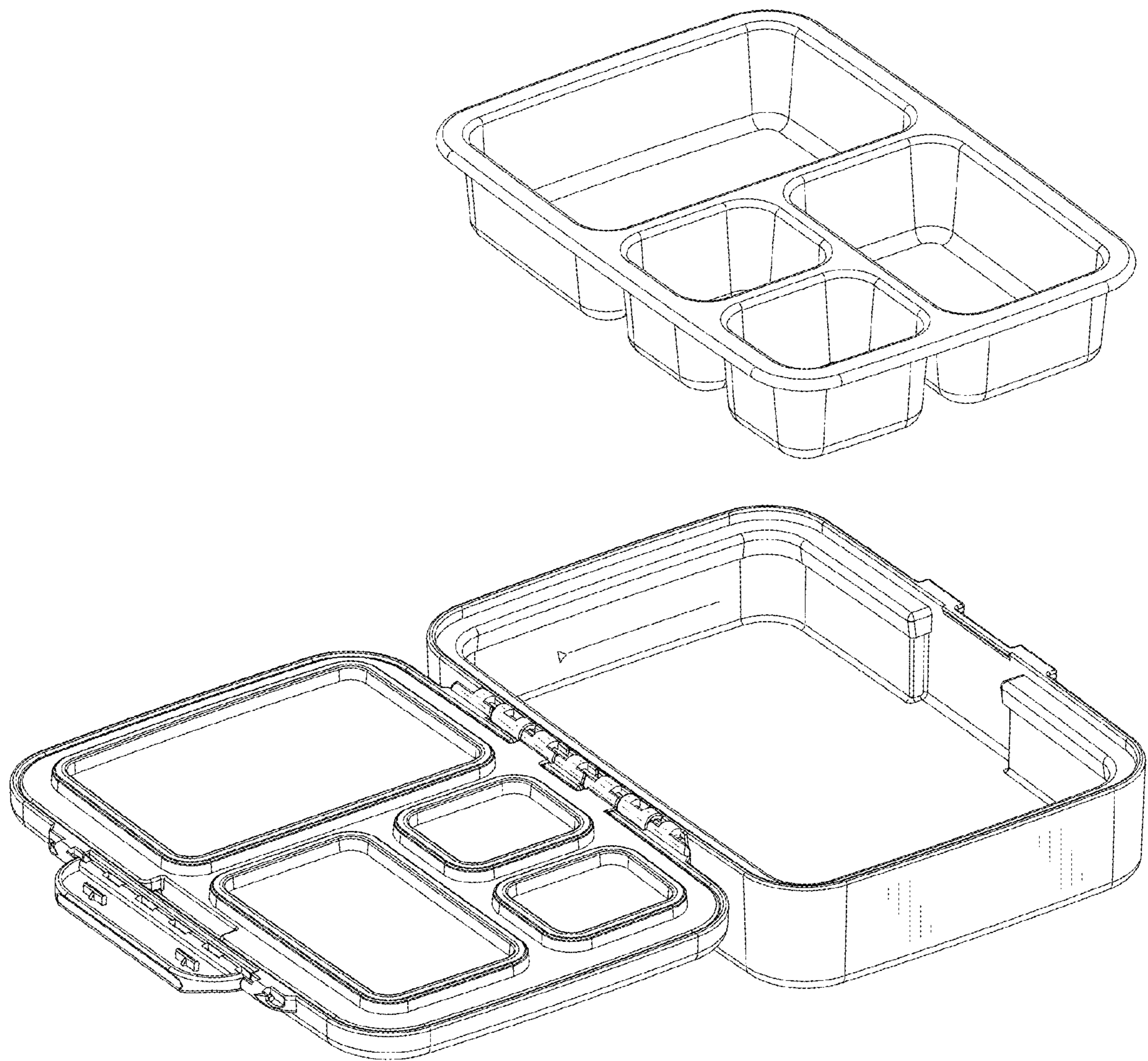


FIG. 10

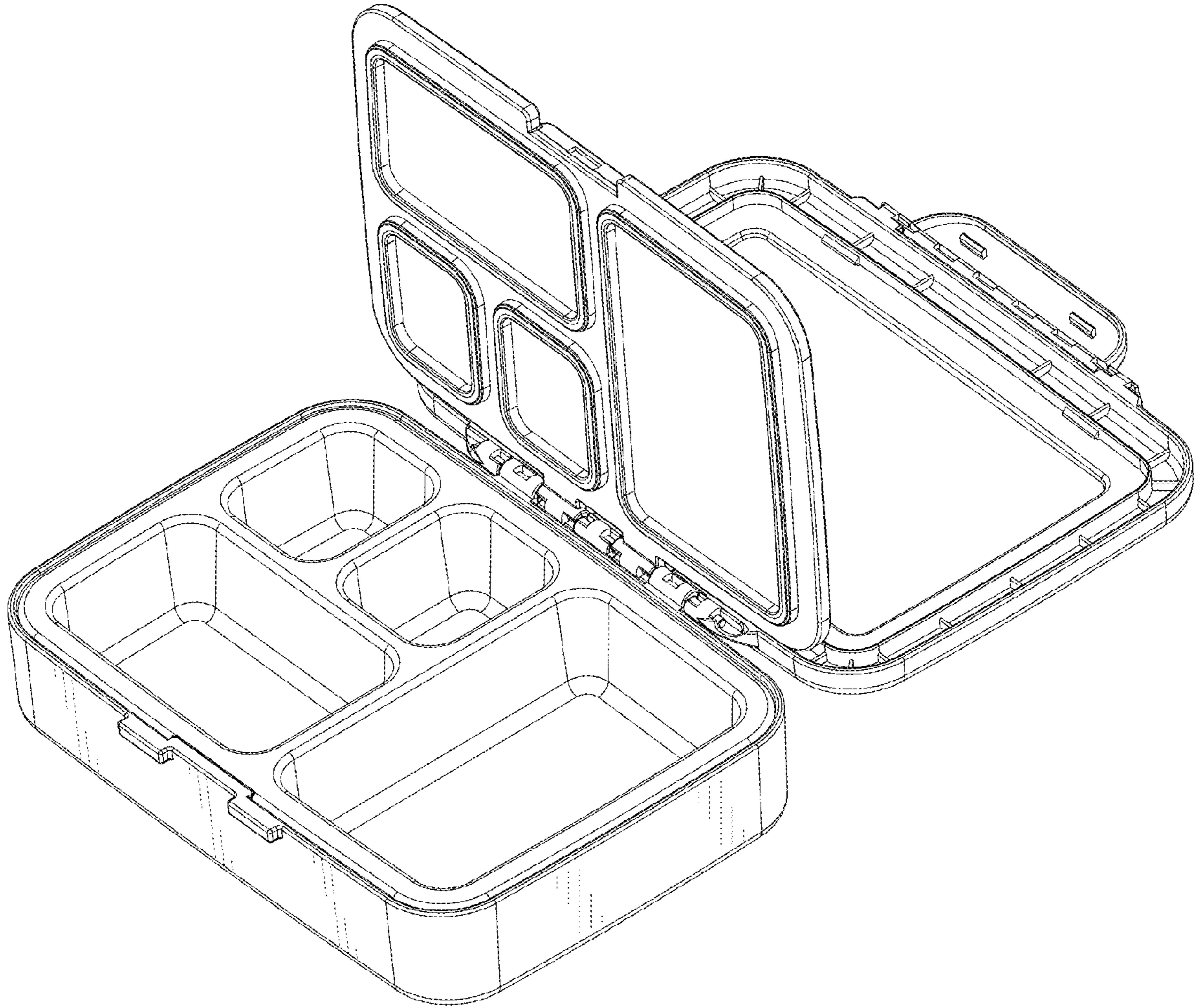


FIG. 11