



US00D880956S

(12) **United States Design Patent**  
**Tan**

(10) **Patent No.:** **US D880,956 S**

(45) **Date of Patent:** **\*\* Apr. 14, 2020**

(54) **COMBINED LUNCH BOX**

(71) Applicant: **Jingtao Tan**, Hunan (CN)

(72) Inventor: **Jingtao Tan**, Hunan (CN)

(\*\*) Term: **15 Years**

(21) Appl. No.: **29/650,162**

(22) Filed: **Jun. 5, 2018**

(51) **LOC (12) Cl.** ..... **07-01**

(52) **U.S. Cl.**  
USPC ..... **D7/629**

(58) **Field of Classification Search**  
USPC ..... D7/601, 629, 550.1, 551.1, 551.2, 551.3,  
D7/552.1, 552.2, 553.1, 553.2, 553.3,  
D7/553.4, 553.5, 553.7, 553.8, 554.1,  
D7/554.3, 554.4, 555, 557, 630, 538-542,  
D7/612-615, 584, 586, 587, 392.1, 709,  
D7/502, 608, 622; D9/424-432, 737,  
D9/759, 761; D3/273, 274, 201-206,  
D3/276, 283, 284, 295, 302  
CPC ..... B65D 1/36; B65D 25/04; B65D 21/0206;  
B65D 2543/00175; B65D 2543/00296  
See application file for complete search history.

(56) **References Cited**

**U.S. PATENT DOCUMENTS**

5,690,245 A \* 11/1997 Jenkins ..... B65D 21/0206  
220/23.4  
D472,774 S \* 4/2003 Pelstring ..... D7/629  
7,114,630 B2 \* 10/2006 Dege ..... B65D 1/36  
220/526  
D572,540 S \* 7/2008 Shew ..... D7/629

D616,258 S \* 5/2010 Miros ..... D7/629  
7,735,651 B2 \* 6/2010 Shew ..... B65D 1/36  
206/541  
D620,318 S \* 7/2010 Bizzell ..... D7/541  
D655,988 S \* 3/2012 Miros ..... D7/629  
8,328,034 B2 \* 12/2012 Miros ..... B65B 7/16  
220/4.22  
D707,085 S \* 6/2014 Carmichael ..... D7/554.2  
D764,317 S \* 8/2016 Martinez ..... D9/761  
D786,095 S \* 5/2017 Kim ..... D9/760  
D825,351 S \* 8/2018 Buck ..... D9/761

\* cited by examiner

*Primary Examiner* — Derrick E Holland

*Assistant Examiner* — Andrew Kerr

(74) *Attorney, Agent, or Firm* — Wayne & Ken, LLC;  
Tony Hom

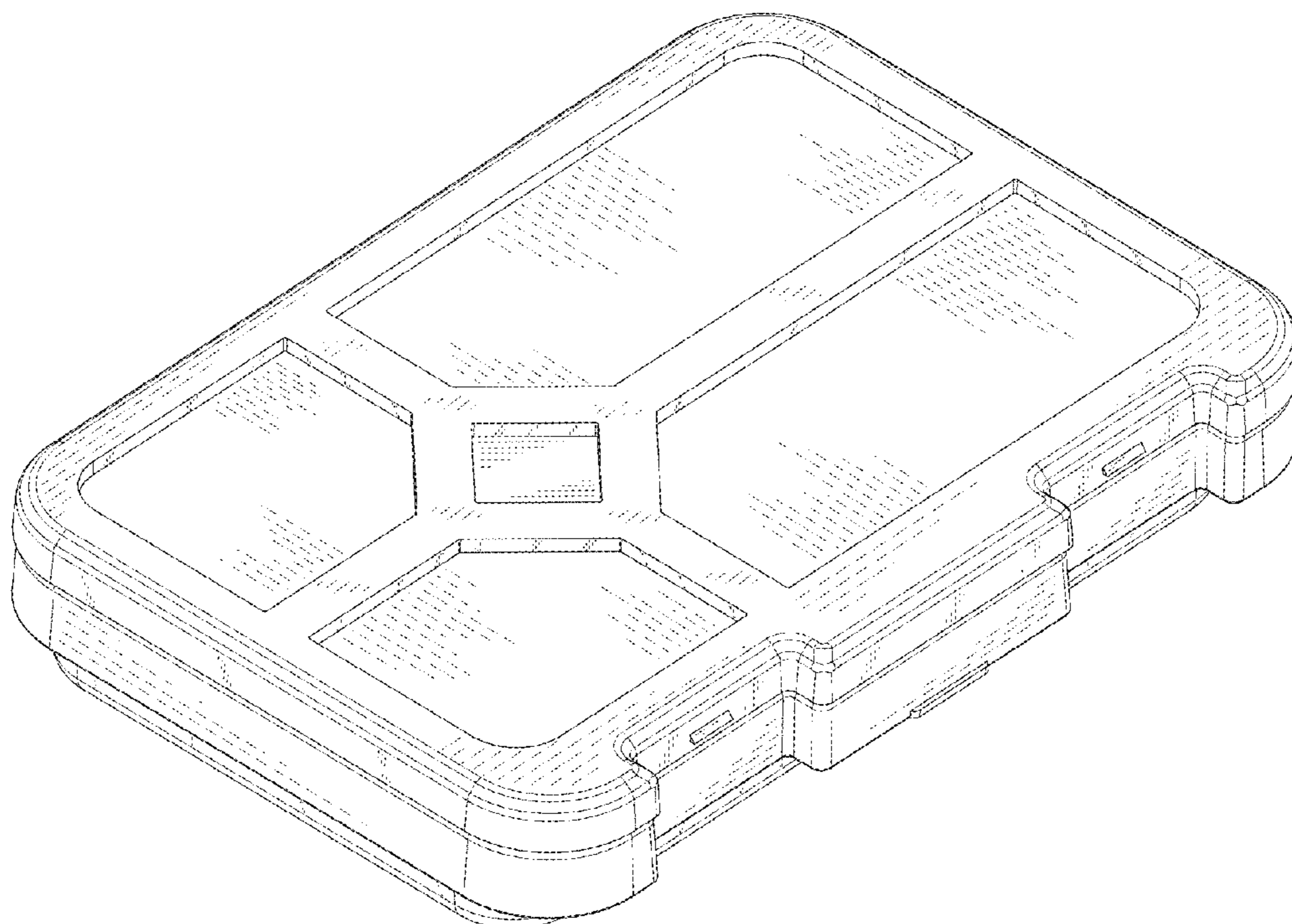
(57) **CLAIM**

The ornamental design for a combined lunch box, as shown and described.

**DESCRIPTION**

FIG. 1 is a perspective view of a combined lunch box showing my new design;  
FIG. 2 is another perspective view thereof;  
FIG. 3 is a front view thereof;  
FIG. 4 is a back view thereof;  
FIG. 5 is a left side view thereof, a right side view being a mirror image;  
FIG. 6 is a top view thereof;  
FIG. 7 is a bottom view thereof; and,  
FIG. 8 is a perspective view thereof in use condition.

**1 Claim, 8 Drawing Sheets**



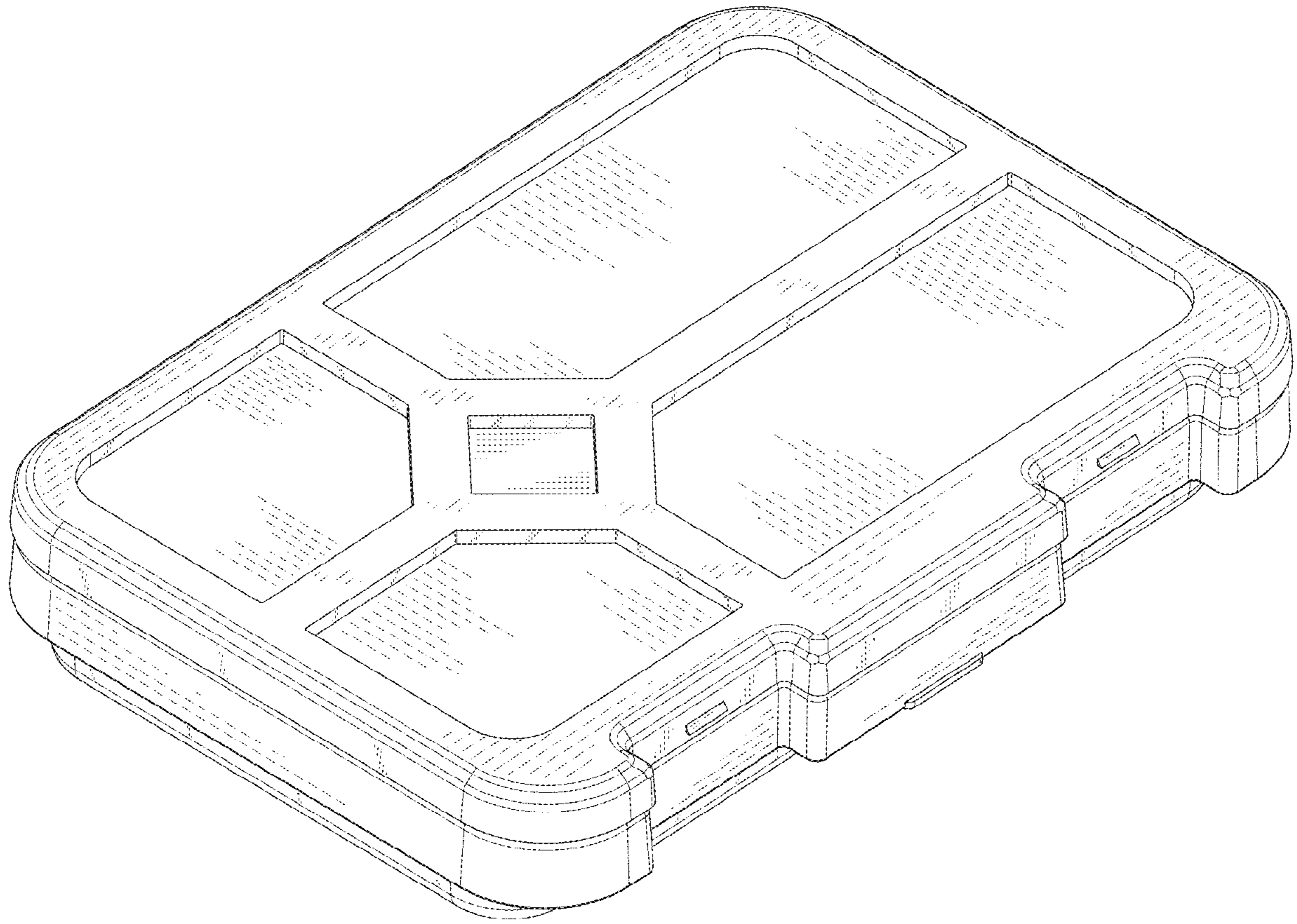


Fig. 1

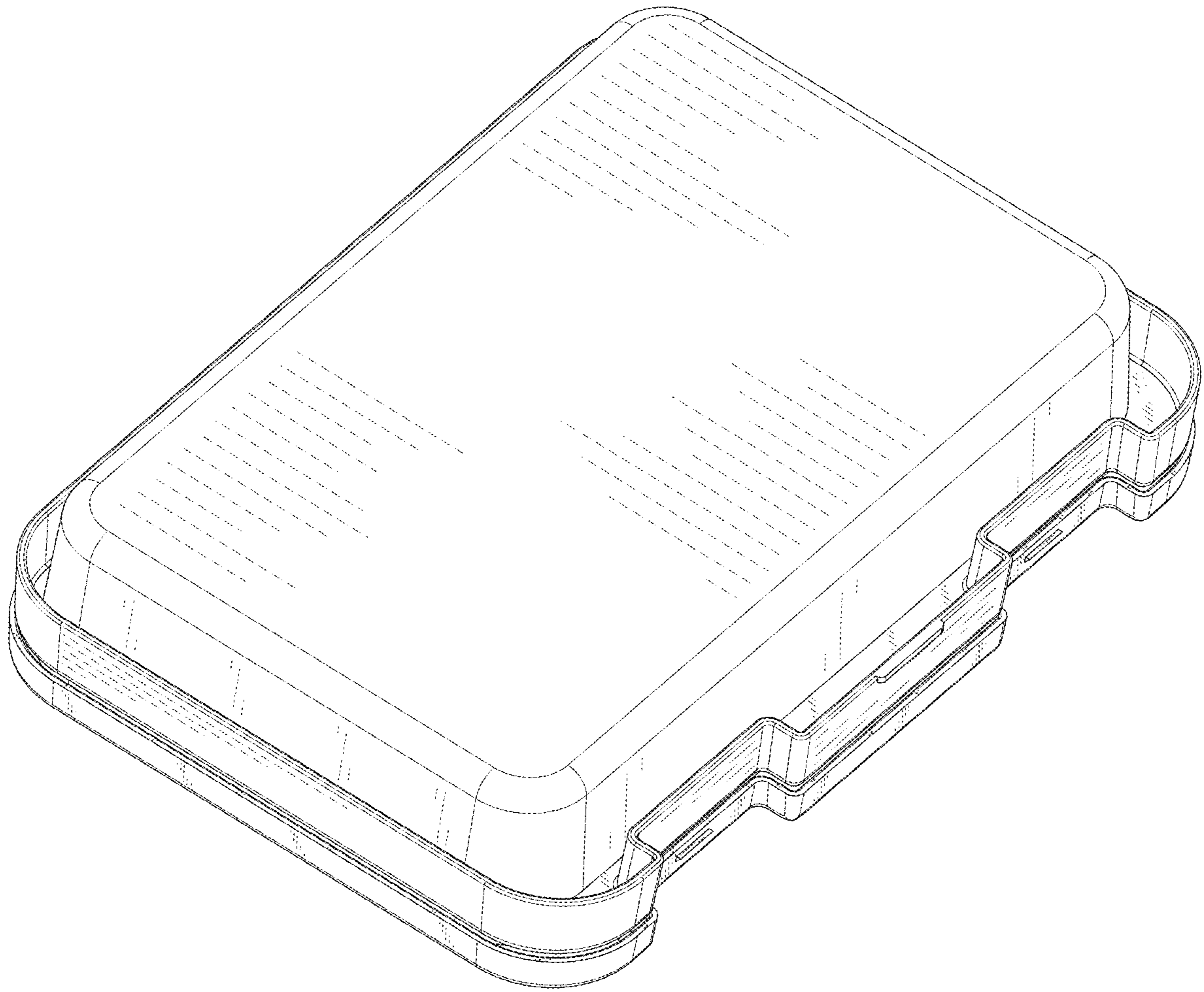


Fig.2

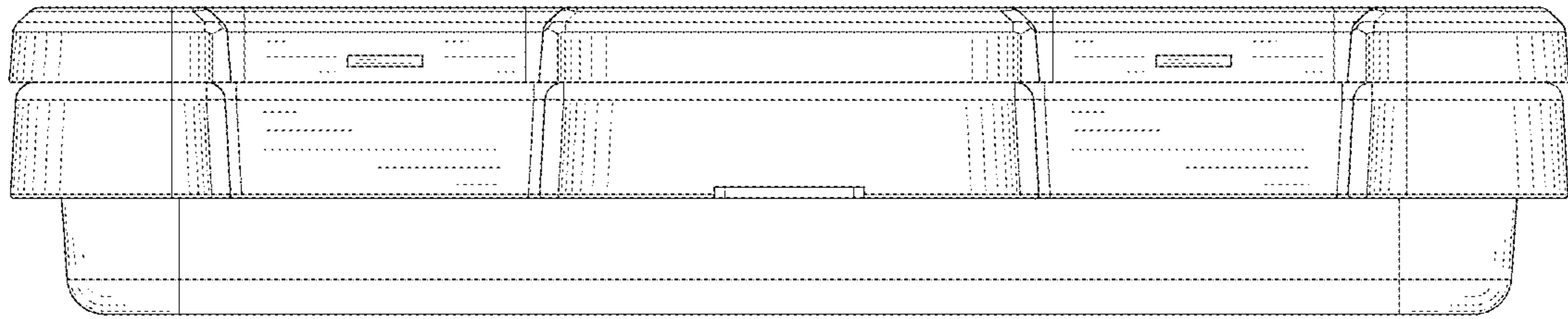


Fig.3

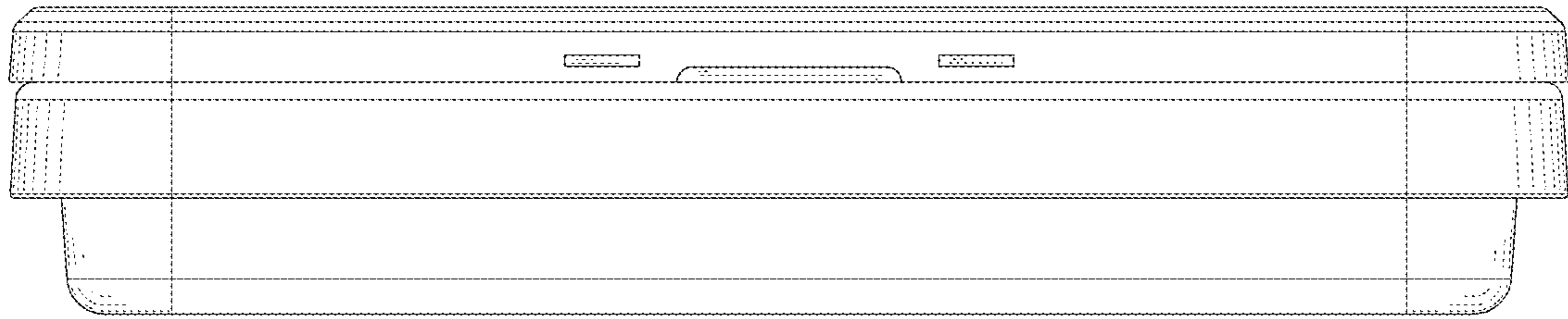


Fig.4

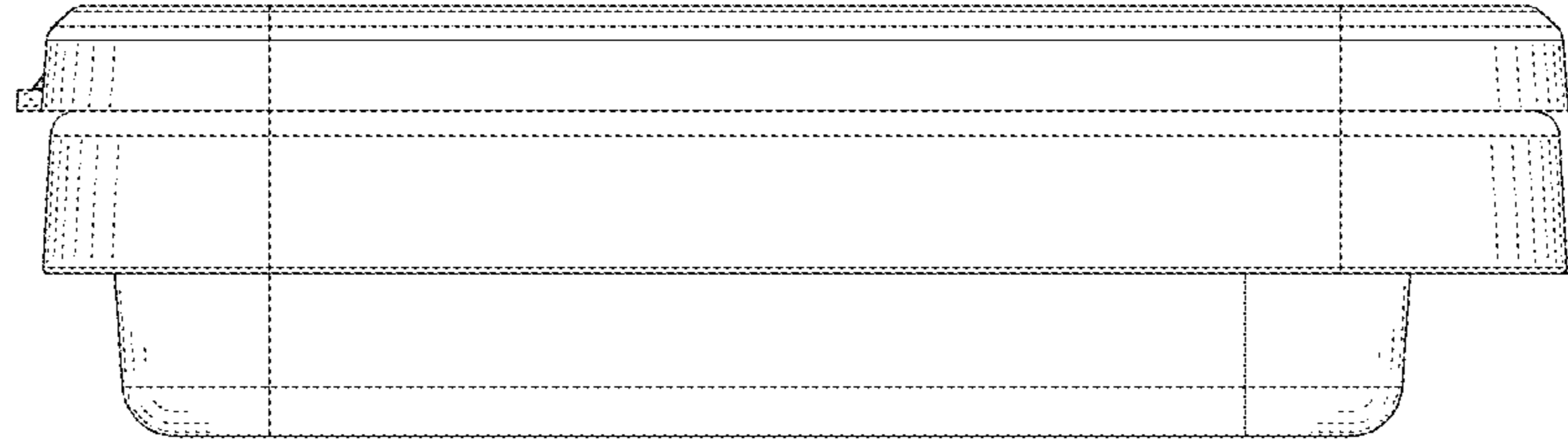


Fig.5

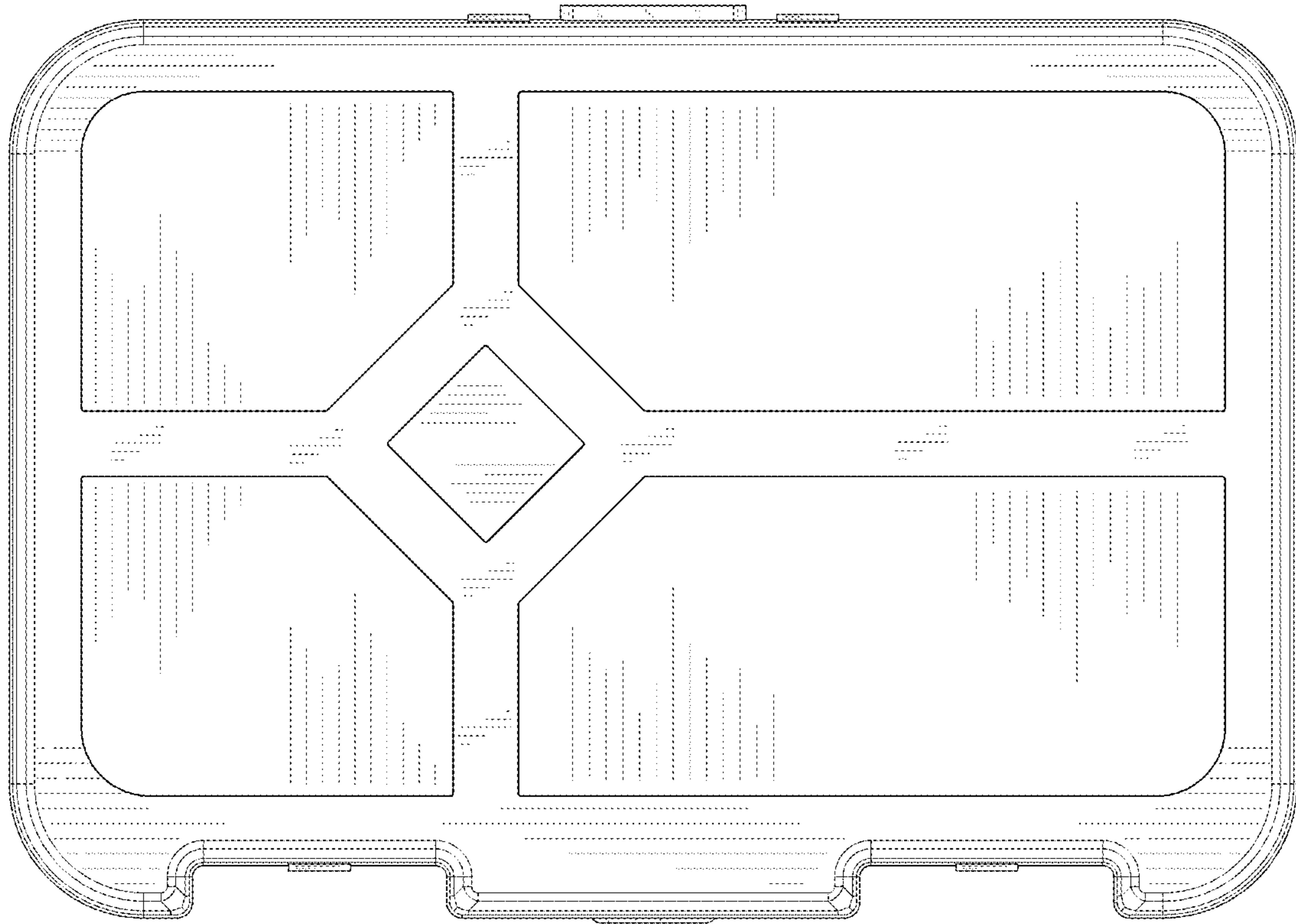


Fig.6

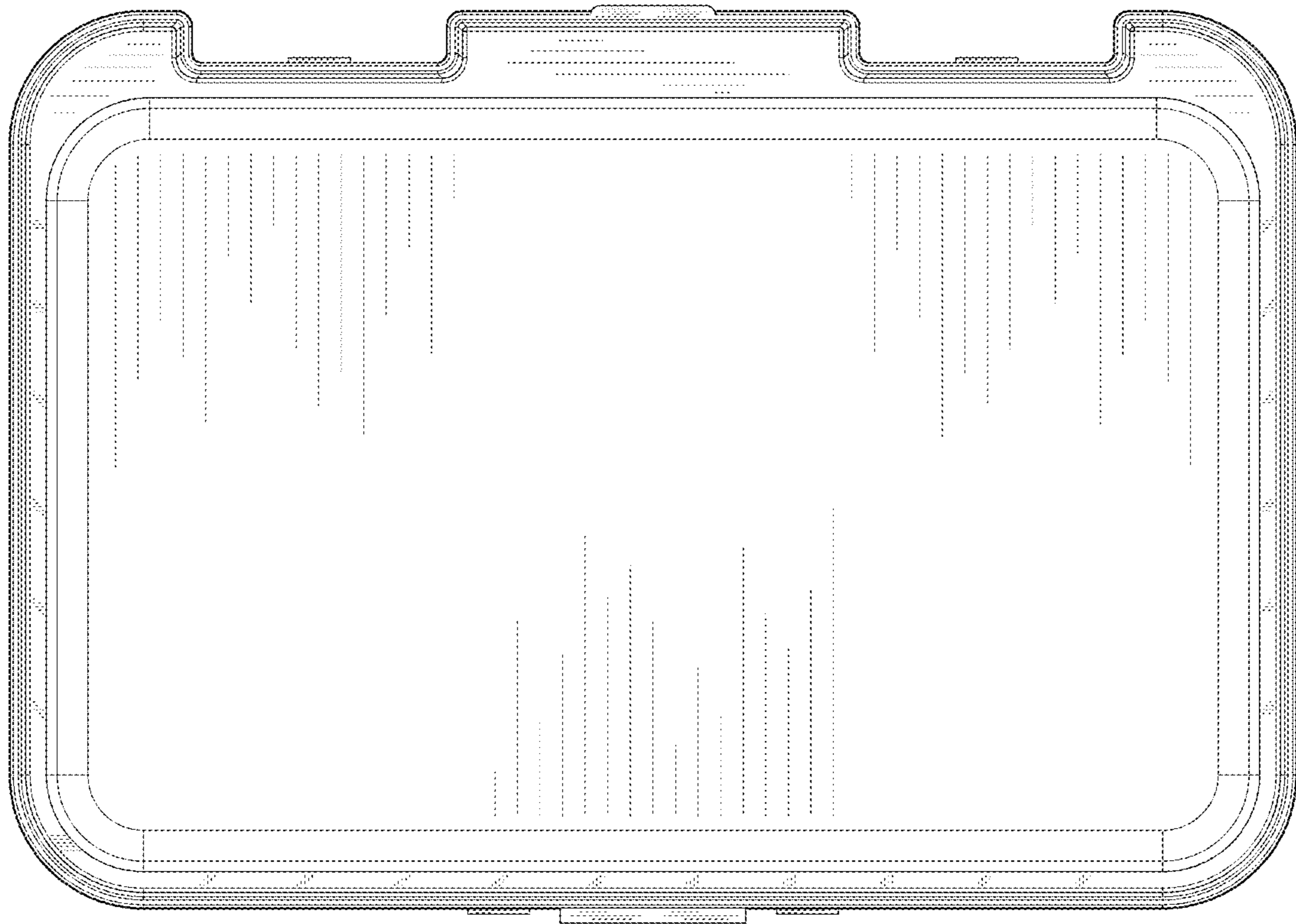


Fig.7



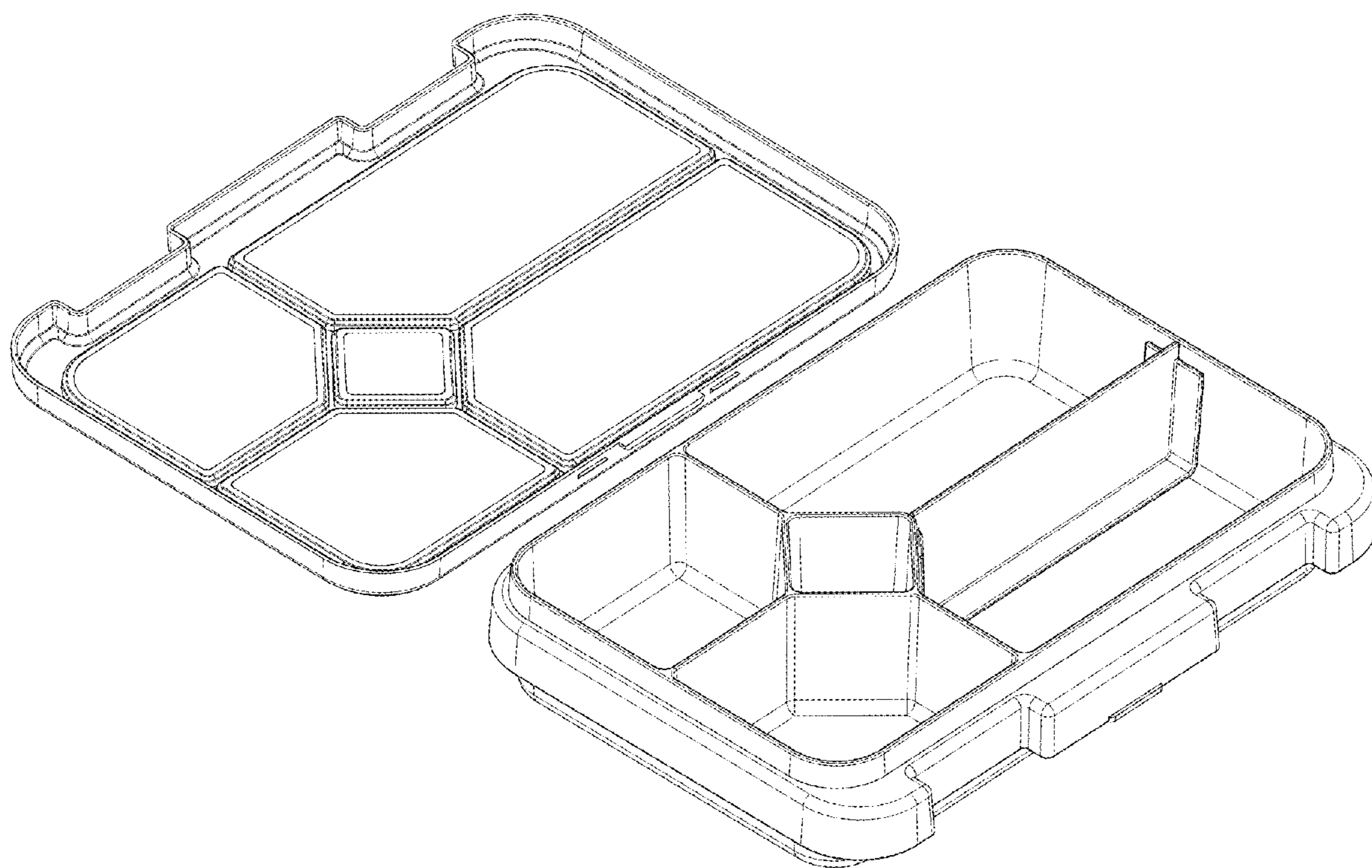


Fig.8