



US00D880954S

(12) **United States Design Patent**
McCutchen

(10) **Patent No.:** **US D880,954 S**

(45) **Date of Patent:** **** Apr. 14, 2020**

(54) **BEVERAGE CONTAINER FLOTATION
DEVICE**

(71) Applicant: **James McCutchen**, Greer, SC (US)

(72) Inventor: **James McCutchen**, Greer, SC (US)

(**) Term: **15 Years**

(21) Appl. No.: **29/617,171**

(22) Filed: **Sep. 12, 2017**

(51) **LOC (12) Cl.** **07-06**

(52) **U.S. Cl.**
USPC **D7/624.2**; D9/436; D9/455; D9/444

(58) **Field of Classification Search**
USPC D9/434, 435, 499, 436, 439, 444,
D9/454-456; D7/523, 531, 584, 586,
D7/619.1, 624.2
See application file for complete search history.

(56) **References Cited**

U.S. PATENT DOCUMENTS

D54,606	S *	3/1920	Curtin	D9/439
3,015,406	A	1/1962	Nolte		
D201,926	S *	8/1965	Roach	D9/432
D239,151	S *	3/1976	Halmstad	D7/523
D239,193	S *	3/1976	Daenen	D11/154
D240,284	S *	6/1976	Sarpaneva	D7/523
D267,140	S *	12/1982	Thompson	D7/531
D288,515	S *	3/1987	Rimmeir	D7/584
D292,673	S *	11/1987	Woodruff	D9/439
4,871,079	A	10/1989	Doucette et al.		
D345,716	S *	4/1994	Kwiatkowski	D11/131.1
5,390,804	A	2/1995	Beggins		
D433,332	S *	11/2000	Weber	D9/434
D439,517	S *	3/2001	Lindsay	D9/500
D469,317	S *	1/2003	Doerr	D7/624.2
6,554,155	B1	4/2003	Beggins		
D478,478	S *	8/2003	Soohee	D11/152
6,607,090	B1	8/2003	Doerr		
D482,240	S *	11/2003	Soohee	D7/584

D505,325	S *	5/2005	DeBiasse	D9/444
D516,909	S *	3/2006	Bloc	D9/434
7,201,285	B2	4/2007	Beggins		
D546,178	S *	7/2007	McClain	D9/435
D551,548	S *	9/2007	Didier	D9/439
D580,233	S *	11/2008	Camarota	D7/619.1

(Continued)

FOREIGN PATENT DOCUMENTS

DE 10 2008 015488 10/2009

OTHER PUBLICATIONS

Amazon. 3 Packs Floating Cup Holder Drink Float UV Resistant Foam Float. No date specified. (Year: 0).*

(Continued)

Primary Examiner — Darcey E Gottschalk
(74) *Attorney, Agent, or Firm* — JK Intellectual Property Law, PA

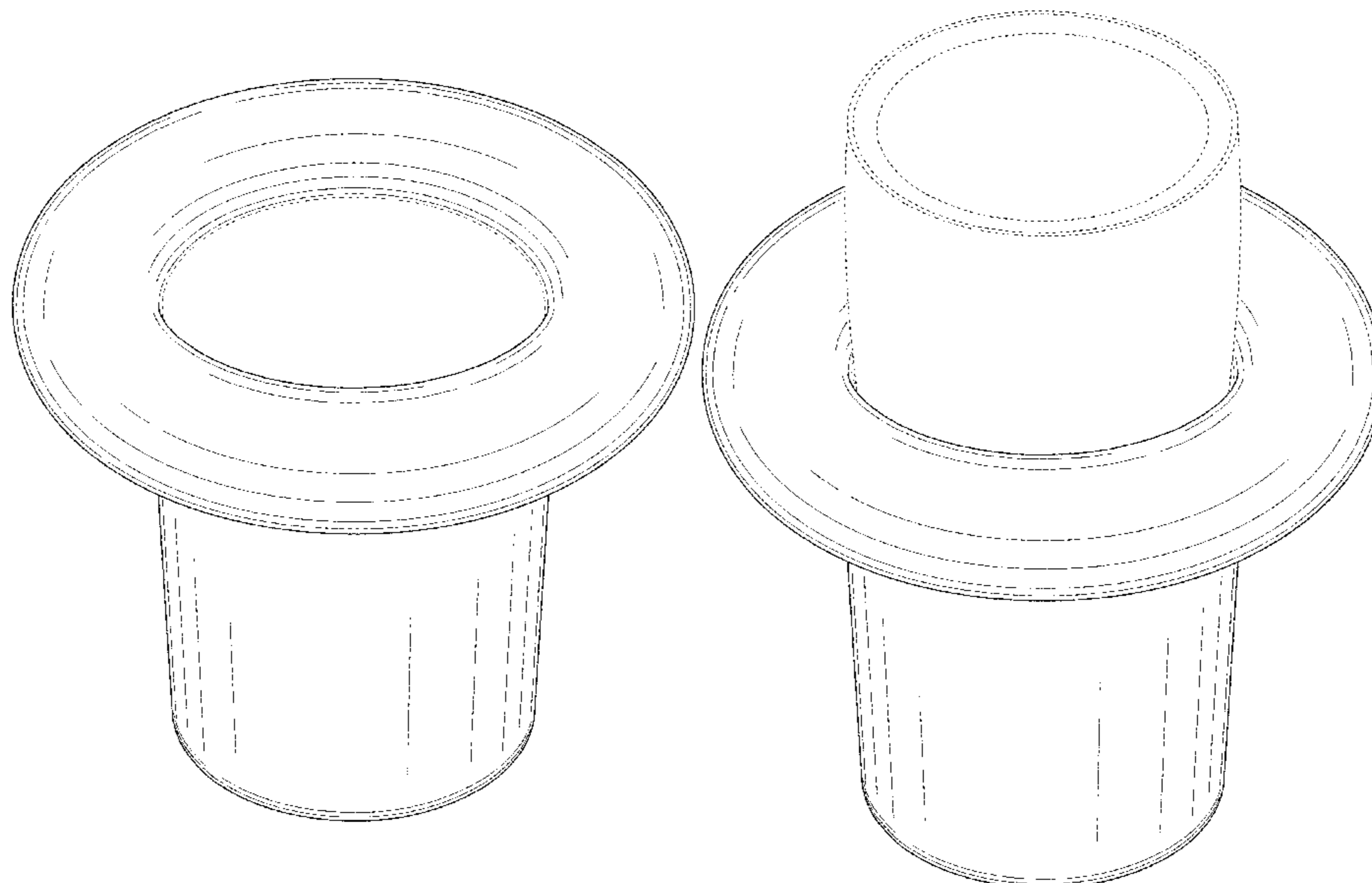
(57) **CLAIM**

The ornamental design for a beverage container floatation device, as shown and described.

DESCRIPTION

FIG. 1 is an isometric view of a beverage container floatation device according to the present design;
FIG. 2 is a side view thereof (the view from any side being identical);
FIG. 3 is a top view thereof;
FIG. 4 is a bottom view thereof; and,
FIG. 5 is an isometric view thereof showing how a beverage container would fit therein.
In FIGS. 1 and 3, the broken lines depict portions of the beverage container floatation device that form no part of the claim; and in FIG. 5, the broken lines depict use environment elements which form no part of the claim.

1 Claim, 5 Drawing Sheets



(56)

References Cited

U.S. PATENT DOCUMENTS

7,614,516	B2	11/2009	Beggins	
D607,727	S *	1/2010	Takata	D9/428
D639,117	S *	6/2011	Jonsson	D7/624.2
D645,340	S *	9/2011	Menard	D9/428
D663,169	S	7/2012	Beggins	
D671,406	S *	11/2012	Sawicki	D9/434
D682,690	S *	5/2013	Bowes	D9/439
D686,496	S *	7/2013	Strauli	D9/434
D706,133	S *	6/2014	Robinson	D9/434
9,022,252	B2	5/2015	Beggins	
D739,723	S *	9/2015	Dorfman	D9/425
D753,489	S *	4/2016	Shaw	D9/454
D754,542	S *	4/2016	Shaw	D9/454
D807,703	S *	1/2018	Rupp	D7/523
D814,298	S *	4/2018	Ramon	D9/444
2004/0040968	A1	3/2004	Visser	
2006/0091141	A1	5/2006	Scott	
2012/0175373	A1	7/2012	Emerson, III	
2014/0124513	A1	5/2014	Shearer	
2016/0051907	A1 *	2/2016	McCutchen	B01D 21/2444 210/122
2016/0324350	A1	11/2016	Rogers et al.	

OTHER PUBLICATIONS

International Application No. PCT/US2018/049846 Search Report and Written Opinion dated Nov. 22, 2018.

* cited by examiner

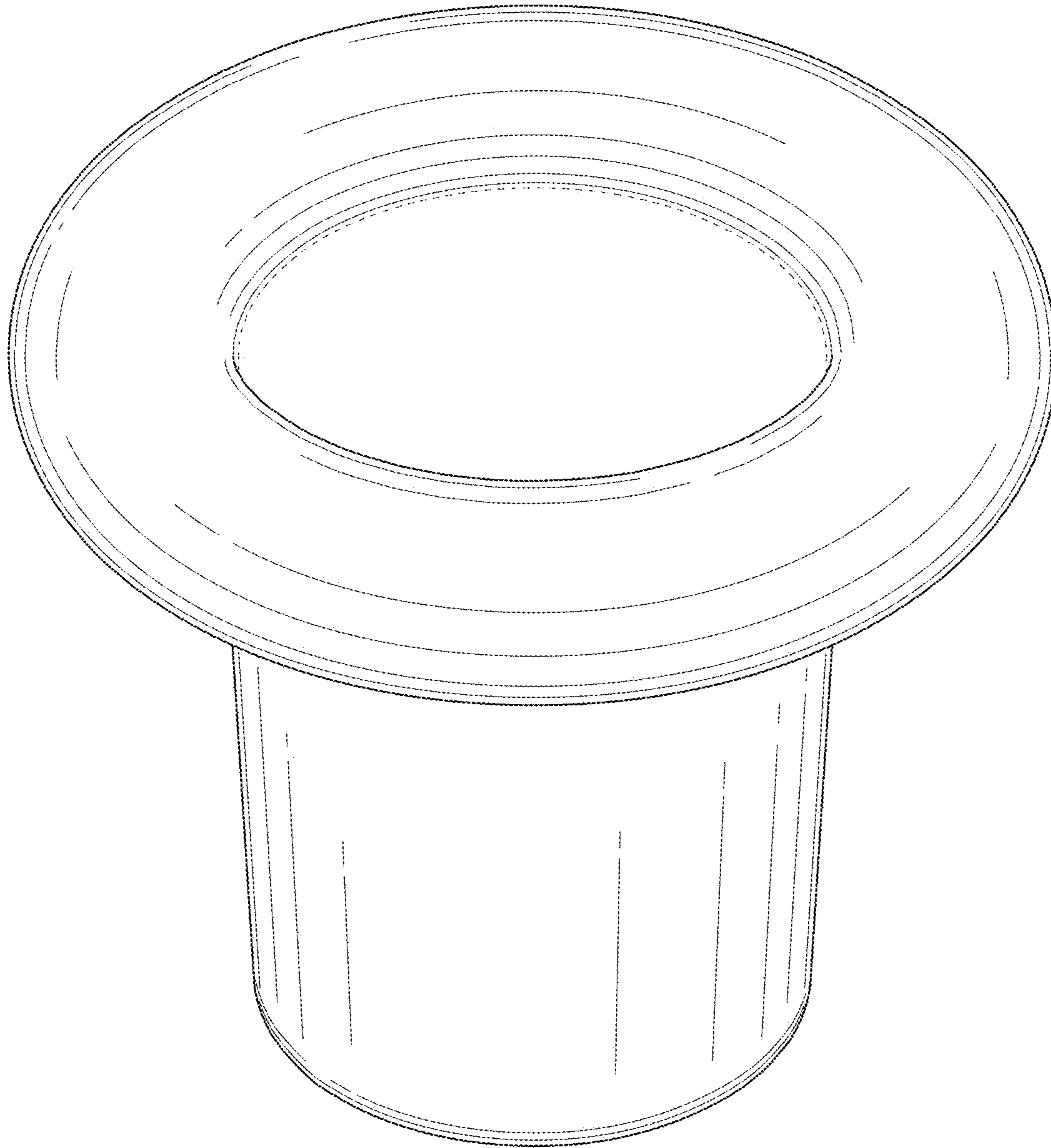


FIG. 1

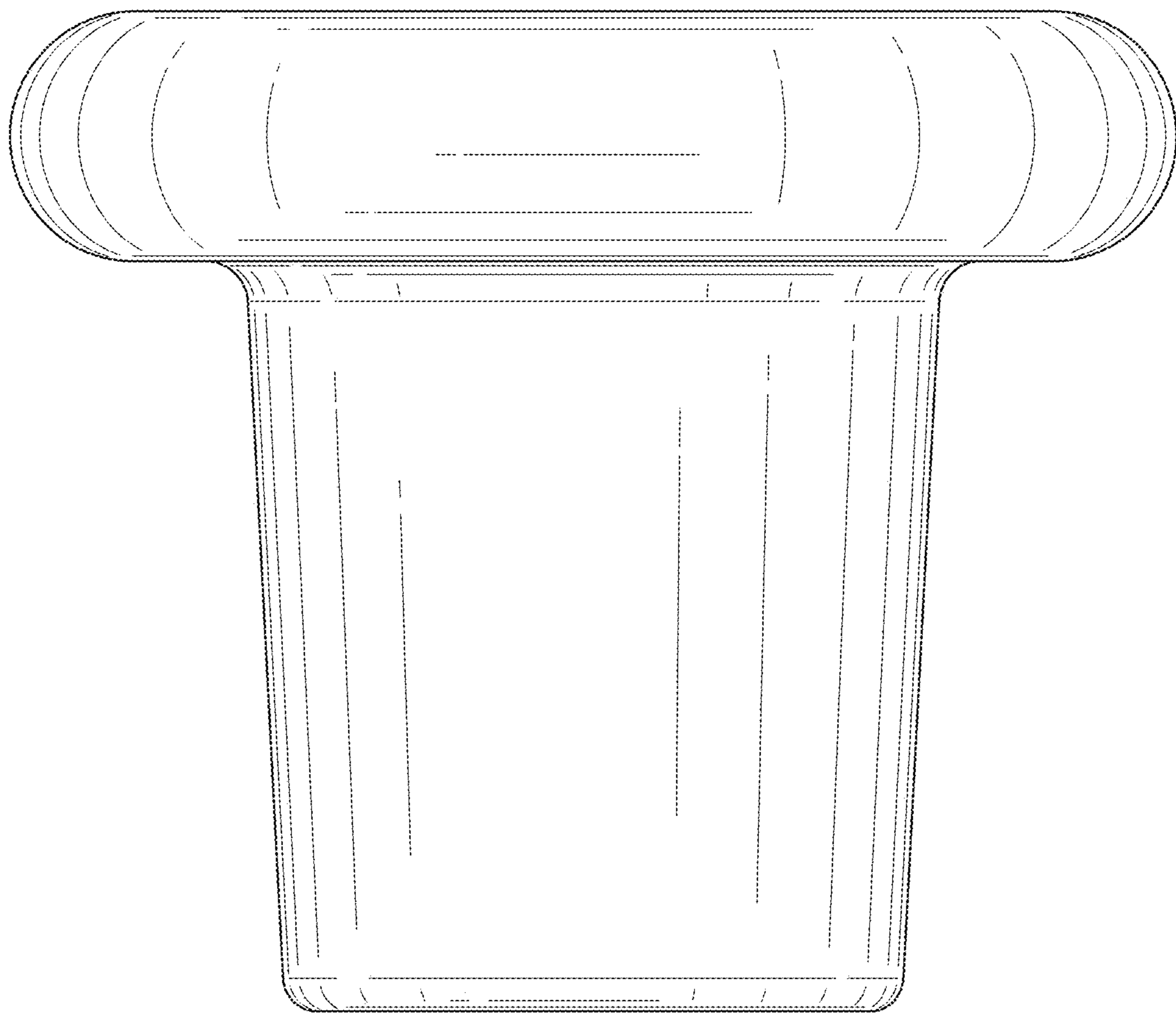


FIG. 2

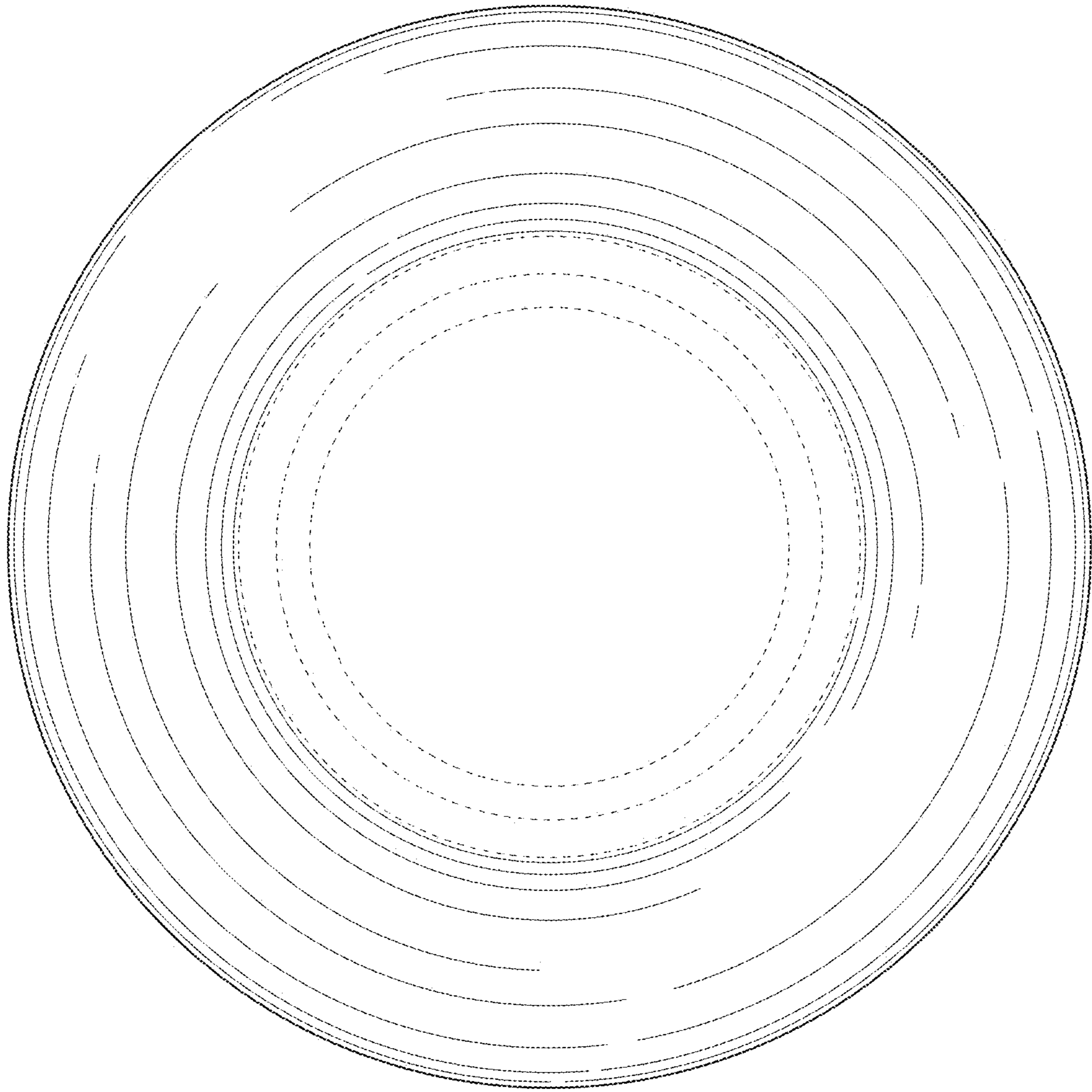


FIG. 3

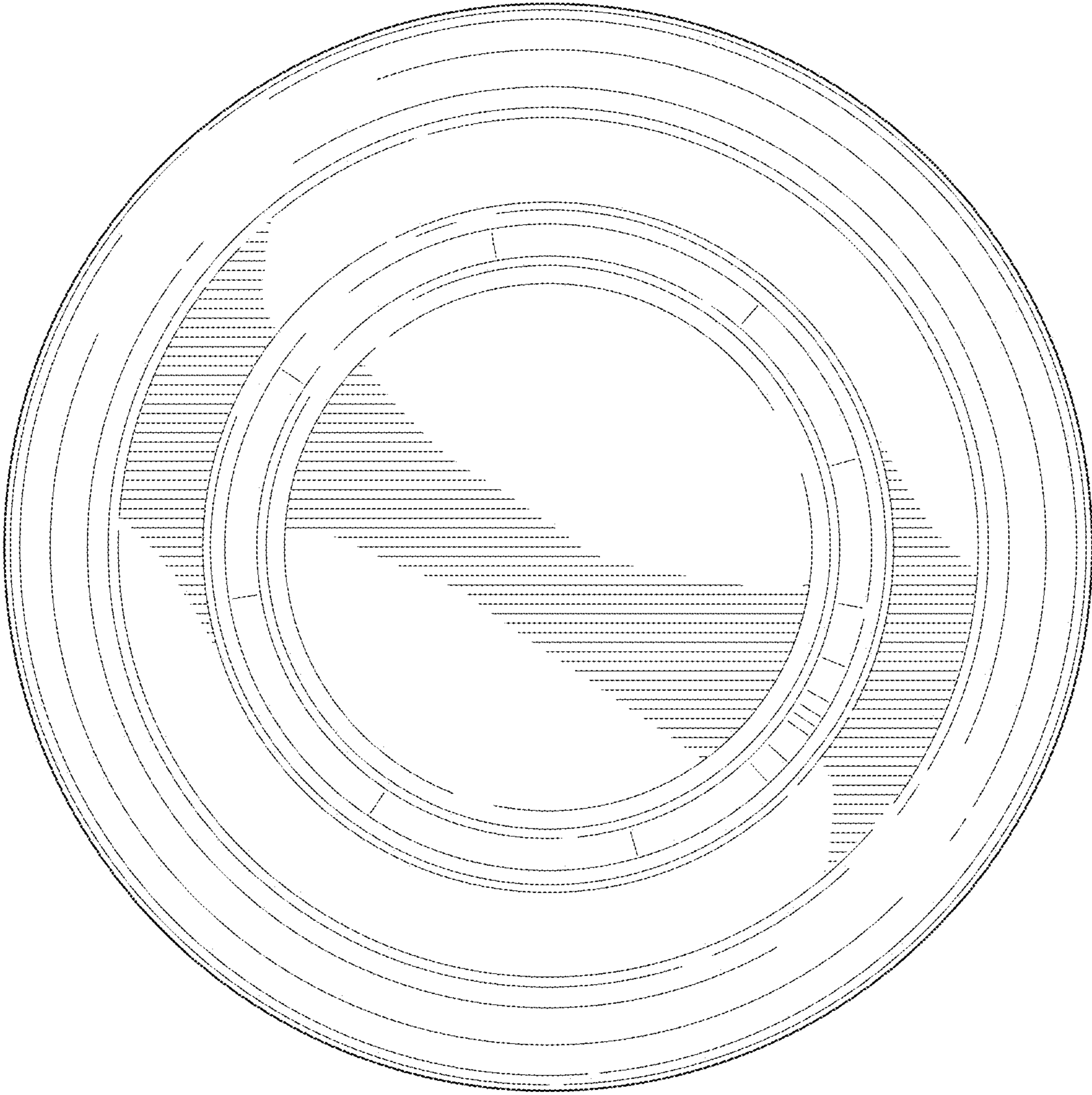


FIG. 4

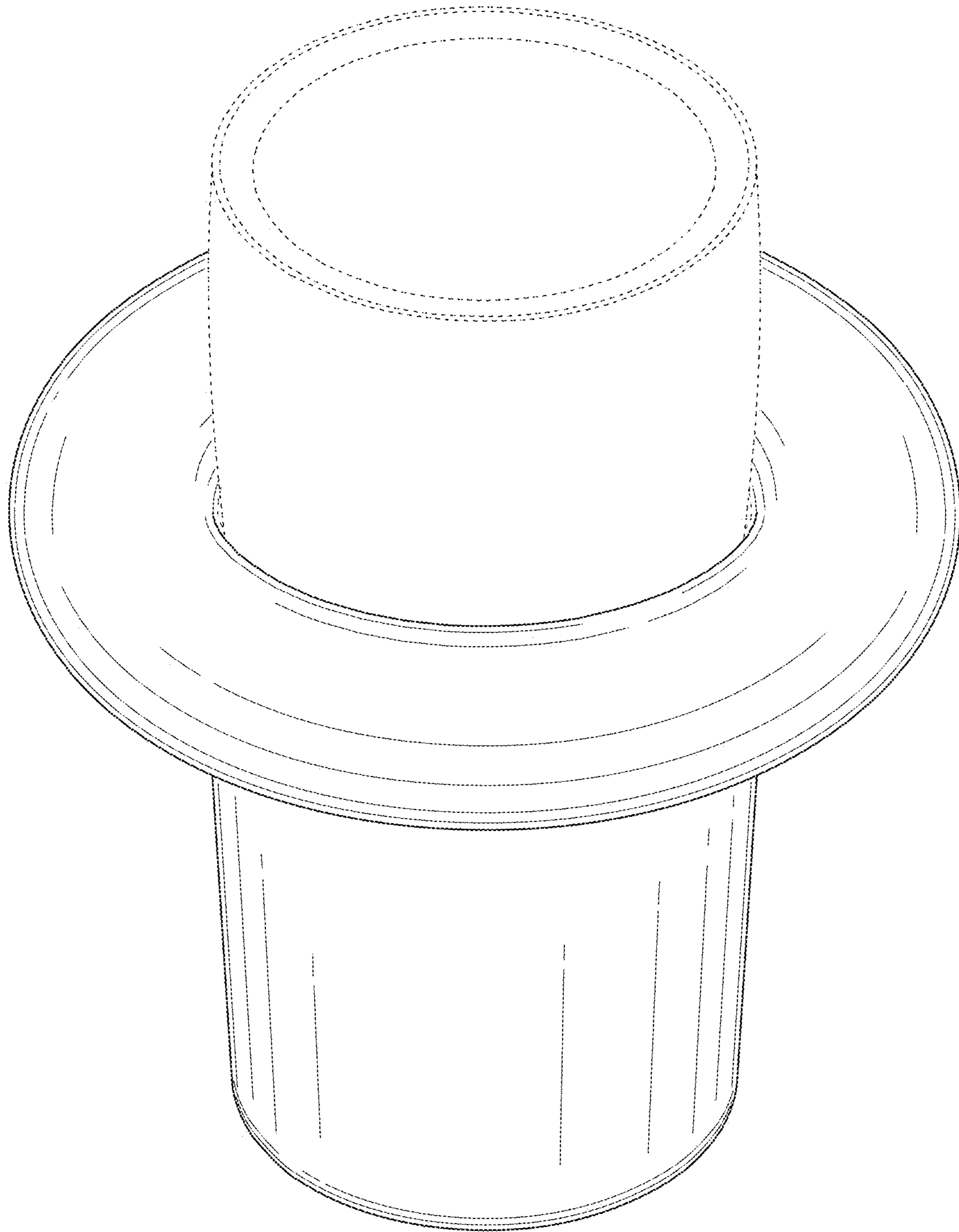


FIG. 5