



US00D880951S

(12) **United States Design Patent**  
**Jacobsen**

(10) **Patent No.:** **US D880,951 S**

(45) **Date of Patent:** **\*\* Apr. 14, 2020**

(54) **COOLER**

D333,775 S \* 3/1993 Krape ..... D8/331  
D429,966 S \* 8/2000 Israel ..... D7/605  
6,182,462 B1 \* 2/2001 Bania ..... A45C 11/20  
62/264

(71) Applicant: **RTIC IP, LLC**, Houston, TX (US)

(72) Inventor: **James Matthew Jacobsen**, Houston, TX (US)

(Continued)

(73) Assignee: **RTIC IP, LLC**, Houston, TX (US)

(\*\*) Term: **15 Years**

(21) Appl. No.: **29/667,286**

(22) Filed: **Oct. 19, 2018**

**OTHER PUBLICATIONS**

'academy.com' [online]. "Igloo Sportsman 152-qt. Cooler," Published on or before Sep. 26, 2017, Retrieved from the Internet: URL<<https://www.academy.com/shop/pdp/igloo-sportsman2-qt-cooler#repChildCatid=959704>>. 4 pages.

(Continued)

**Related U.S. Application Data**

(63) Continuation of application No. 29/619,131, filed on Sep. 27, 2017, now Pat. No. Des. 835,948.

(51) **LOC (12) Cl.** ..... **07-01**

(52) **U.S. Cl.**  
USPC ..... **D7/605**

(58) **Field of Classification Search**  
USPC ..... D7/603-608, 709, 710, 629; D3/283, D3/287, 289, 233, 267, 268, 273, 276, D3/315, 318

CPC ..... F25D 2331/804; F25D 2331/801; F25D 3/08; B65D 30/08; B65D 30/22; B65D 81/3858; B65D 81/3828; B65D 81/3888; B65D 81/18; B65D 81/3897; B65D 31/04; B65D 53/00; B65D 69/00; B65D 8/18; A45C 11/20; A45C 13/02; A45F 3/02; A45F 3/12; A45F 3/14; A45F 3/04; A45F 4/02

See application file for complete search history.

*Primary Examiner* — Terry A Wallace

(74) *Attorney, Agent, or Firm* — Fish & Richardson P.C.

(57) **CLAIM**

The ornamental design for a cooler, as shown and described.

**DESCRIPTION**

FIG. 1 is a perspective view of a cooler showing my design in a closed position.

FIG. 2 is a top view of the cooler in a closed position.

FIG. 3 is a bottom view of the cooler in a closed position.

FIG. 4 is a front view of the cooler in a closed position.

FIG. 5 is a rear view of the cooler in a closed position.

FIG. 6 is a right side view of the cooler in a closed position.

FIG. 7 is a left side view of the cooler in a closed position; and,

FIG. 8 is a perspective view of the cooler in an opened position.

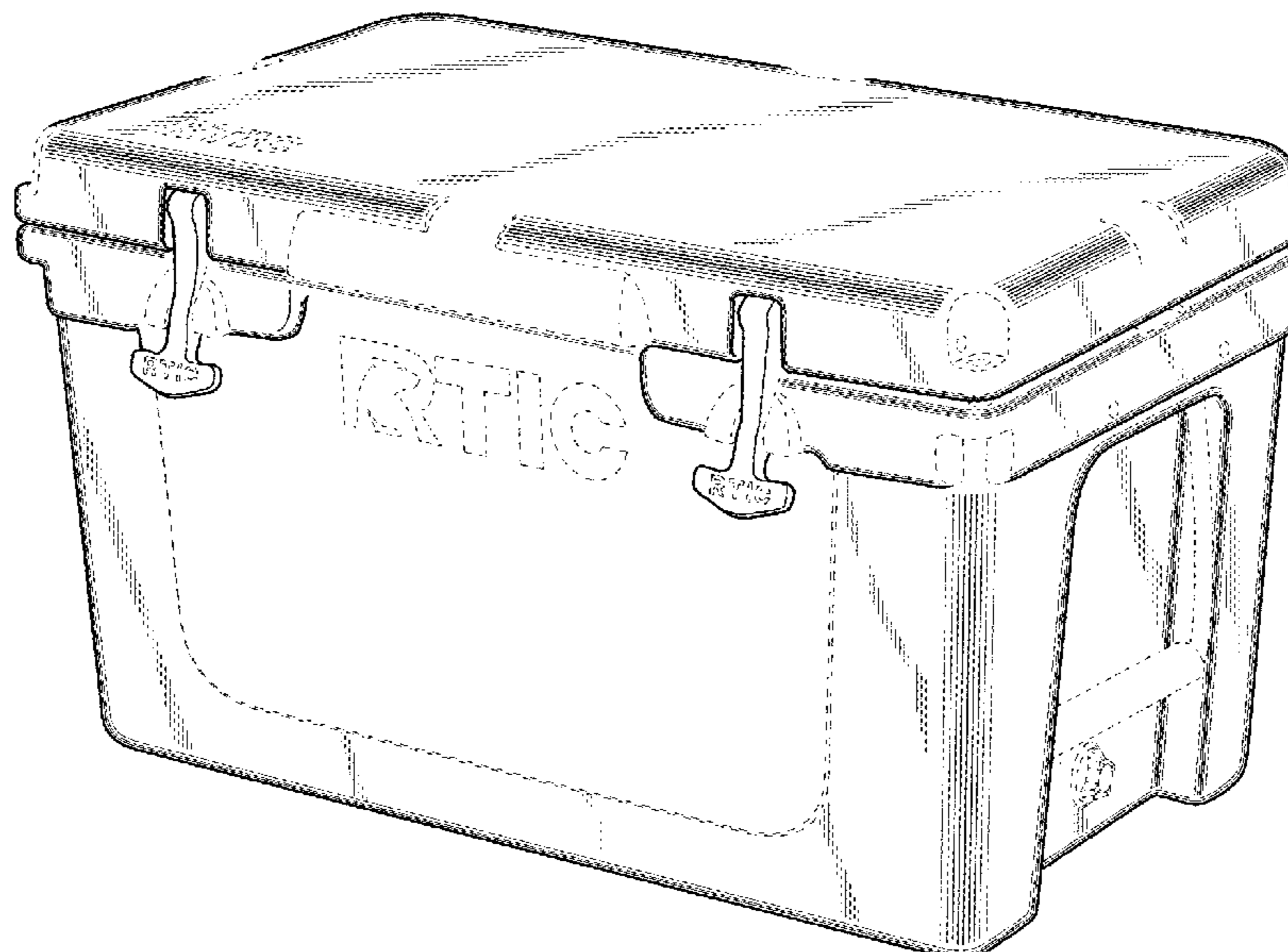
The inside of the body portion of the cooler is unclaimed, the surface shading and contour lines in the drawings represent the surface and contours and do not illustrate material, surface ornamentations, or surface decoration and the broken lines form no part of the claimed design.

(56) **References Cited**

**U.S. PATENT DOCUMENTS**

4,360,105 A 11/1982 Williams  
4,592,482 A \* 6/1986 Seager ..... A45C 11/20  
220/318

**1 Claim, 5 Drawing Sheets**



(56)

References Cited

U.S. PATENT DOCUMENTS

D566,479	S *	4/2008	Kabalin .....	D3/273
8,256,242	B1 *	9/2012	Evans .....	A45C 13/262 62/457.7
D712,270	S	9/2014	Nakano et al.	
D712,720	S *	9/2014	Seiders .....	B65D 81/3816 D8/343
D712,721	S	9/2014	Seiders	
D712,722	S	9/2014	Seiders	
D712,723	S	9/2014	Seiders	
D714,125	S	9/2014	Seiders	
D748,452	S *	2/2016	Jacobsen .....	D8/331
9,366,467	B2 *	6/2016	Kiedaisch .....	F25D 3/00
9,834,342	B2	12/2017	Seiders	
D820,647	S	6/2018	Rane et al.	
D820,648	S	6/2018	Rane et al.	
D821,155	S	6/2018	Rane et al.	
D821,156	S	6/2018	Rane et al.	
D821,157	S	6/2018	Rane et al.	
D821,824	S	7/2018	Rane et al.	
D835,470	S	12/2018	Seiders et al.	
D835,471	S	12/2018	Seiders et al.	
D835,472	S	12/2018	Seiders et al.	
D835,946	S	12/2018	Seiders et al.	
D835,948	S	12/2018	Jacobsen	
D836,402	S	12/2018	Jacobsen	
D845,080	S	4/2019	Jacobsen	
D845,081	S	4/2019	Jacobsen	
D845,082	S	4/2019	Jacobsen	
2009/0139245	A1 *	6/2009	Blackway .....	F25B 21/02 62/3.62
2017/0313492	A1	11/2017	Seiders	

OTHER PUBLICATIONS

'academy.com' [online]. "Igloo Super Tough STX™ 120-qt. Cooler," Published on or before Sep. 26, 2017, Retrieved from the Internet: URL<<https://www.academy.com/shop/pdp/igloo-super-tough-stx%E2%84%A2-120-qt-cooler#repChildCatid=985706>>. 3 pages.

'academy.com' [online]. "Magellan Outdoors Ice Box 50," Published on or before Sep. 26, 2017, Retrieved from the Internet: URL<<https://www.academy.com/shop/pdp/magellan-outdoors-ice-box-50#repChildCatid=3121299>>. 4 pages.

'academy.com' [online]. "Yeti Tundra 105 Cooler," Published on or before Sep. 26, 2017, Retrieved from the Internet: URL<<https://www.academy.com/shop/pdp/yeti-tundra-105-cooler#repChildCatid=4859501>>. 3 pages.

'amazon.com' [online]. "Cordova Coolers Rotomolded Gray/White Cooler with Extreme Ice Retention," Published on or before Sep. 26, 2017, Retrieved from the Internet: URL<[https://www.amazon.com/dp/B01N47XIRY/ref=sspa\\_dk\\_detail\\_4?psc=1](https://www.amazon.com/dp/B01N47XIRY/ref=sspa_dk_detail_4?psc=1)>. 9 pages.

'amazon.com' [online]. "Frosty 65 Roto Molded Coolers—Sizes 25 35 45 55 75 85 120 Ice Chest Rotomolded Extreme Durability Premium Cooler Holds ice for Days 62 quarts," Published on or before Sep. 26, 2017, Retrieved from the Internet: URL<[https://www.amazon.com/Frosty-Roto-Molded-Coolers-Rotomolded/dp/B06ZZ8GN5H/ref=pd\\_sbs\\_200\\_7?\\_encoding=UTF8&psc=1&refRID=41QJR8P%E2%80%A6](https://www.amazon.com/Frosty-Roto-Molded-Coolers-Rotomolded/dp/B06ZZ8GN5H/ref=pd_sbs_200_7?_encoding=UTF8&psc=1&refRID=41QJR8P%E2%80%A6)>. 8 pages.

'amazon.com' [online]. "Giantex 64 Quart Grey Heavy Duty Cooler Ice Chest Outdoor Insulated Cooler Fishing Hunting Sports," Published on or before Sep. 26, 2017, Retrieved from the Internet: URL<[https://www.amazon.com/Giantex-Outdoor-Insulated-Fishing-Hunting/dp/B073LYRZ5Z/ref=pd\\_sbs\\_200\\_6?\\_encoding=UTF8&psc=1&refRID=41QJR8P%E2%80%A6](https://www.amazon.com/Giantex-Outdoor-Insulated-Fishing-Hunting/dp/B073LYRZ5Z/ref=pd_sbs_200_6?_encoding=UTF8&psc=1&refRID=41QJR8P%E2%80%A6)>. 7 pages.

'amazon.com' [online]. "Milee-Heavy Duty Cooler 75 QT with Divider ,Cup holder and basket." Published on or before Sep. 26, 2017, Retrieved from the Internet: URL<[https://www.amazon.com/MILEE-Heavy-Cooler-Divider-holder-basket/dp/B01NAMUJIG/ref=pd\\_day0\\_86\\_3?\\_encoding=UTF8&refRID=VWQ79F48RW%E2%80%A6](https://www.amazon.com/MILEE-Heavy-Cooler-Divider-holder-basket/dp/B01NAMUJIG/ref=pd_day0_86_3?_encoding=UTF8&refRID=VWQ79F48RW%E2%80%A6)>. 7 pages.

'amazon.com' [online]. "Monoprice Pure Outdoor Emperor 25 Cooler," Published on or before Sep. 26, 2017, Retrieved from the Internet: URL<[https://www.amazon.com/dp/B01M7293CV/ref=sspa\\_dk\\_detail\\_6?psc=1](https://www.amazon.com/dp/B01M7293CV/ref=sspa_dk_detail_6?psc=1)>. 8 pages.

'amazon.com' [online]. "Palm Coolers PC 65 Beige," Published on or before Sep. 26, 2017, Retrieved from the Internet: URL<[https://www.amazon.com/dp/B01FR3NPIS/ref=sspa\\_dk\\_detail\\_2?psc=1](https://www.amazon.com/dp/B01FR3NPIS/ref=sspa_dk_detail_2?psc=1)>. 7 pages.

'amazon.com' [online]. "Pelican Elite 70 Quart Cooler (White/Gray)," Published on or before Sep. 26, 2017, Retrieved from the Internet: URL<[https://www.amazon.com/dp/B01G7KGB8G/ref=sspa\\_dk\\_detail\\_1?psc=1](https://www.amazon.com/dp/B01G7KGB8G/ref=sspa_dk_detail_1?psc=1)>. 6 pages.

'amazon.com' [online]. "Pelican ProGear 32-35Q-MC-WHT 35 qt. Elite Cooler, White," Published on or before Sep. 26, 2017, Retrieved from the Internet: URL<<https://www.amazon.com/Pelican-Products-ProGear-Elite-Cooler/dp/B018IGMFYG>>. 7 pages.

'amazon.com' [online]. "Siberian Coolers 50qt Outback Series-Granite" Published on or before Sep. 26, 2017, Retrieved from the Internet: URL<[https://www.amazon.com/dp/B01M2WW5FK/ref=sspa\\_dk\\_detail\\_6?psc=1&smid=A1LPDKIUOVBGTE](https://www.amazon.com/dp/B01M2WW5FK/ref=sspa_dk_detail_6?psc=1&smid=A1LPDKIUOVBGTE)>. 5 pages.

'amazon.com' [online]. "Thermik 20 qt +5 High Performance Roto-molded Cooler, 25 qt, White," Published on or before Sep. 26, 2017, Retrieved from the Internet: URL<[https://www.amazon.com/dp/B076H2ZBZN/ref=sspa\\_dk\\_detail\\_0?psc=1](https://www.amazon.com/dp/B076H2ZBZN/ref=sspa_dk_detail_0?psc=1)>. 8 pages.

'amazon.com' [online]. "Vibe Element 45Q Cooler Rotomolded Cooler with Bottle Openers—Alpine Gray," Published on or before Sep. 26, 2017, Retrieved from the Internet: URL<[www.amazon.com/Vibe-Element-Rotomolded-Cooler-Openers/dp/B01BOBCLUU/ref=pd\\_day0\\_86\\_2?\\_encoding=UTF8&refRID=VWQ79F48RW%E2%80%A6](http://www.amazon.com/Vibe-Element-Rotomolded-Cooler-Openers/dp/B01BOBCLUU/ref=pd_day0_86_2?_encoding=UTF8&refRID=VWQ79F48RW%E2%80%A6)>. 6 pages.

'arcticcove.com' [online]. "Premium 20 QT Cooler < Products < Arctic Cove," Published on or before Sep. 19, 2017, Retrieved from the Internet: URL<<https://www.arcticcove.com/product/premium-20-qt-cooler-acrmc20>>. 8 pages.

'bigfrig.com' [online]. "20 QT Cooler | Big Frig Denali Cooler Series," Published on or before Sep. 19, 2017, Retrieved from the Internet: URL<<https://bigfrig.com/product/denali-20-qt-cooler>>. 3 pages.

'bigfrig.com' [online]. "45 QT Cooler | Big Frig Denali Cooler Series," Published on or before Sep. 26, 2017, Retrieved from the Internet: URL<<https://bigfrig.com/product/denali-45-qt-cooler#reviews>> 3 pages.

'bisoncoolers.com' [online]. "25 Quart Cooler | Rotomolded Coolers | Made in the USA | Bison Coolers," Published on or before Sep. 19, 2017. Retrieved from the Internet: URL<<https://www.bisoncoolers.com/collections/coolers/products/25-qt-bison-cooler>>. 3 pages.

'bisoncoolers.com' [online]. "50 Quart Bison Cooler," Published on or before Sep. 26, 2017, Retrieved from the Internet: URL<<https://www.bisoncoolers.com/collections/coolers/products/50-qt-bison-cooler>>. 3 pages.

'driftsun.com' [online]. "75-Quart | Insulated Rotomolded Cooler," Published on or before Sep. 26, 2017, Retrieved from the Internet: URL<<https://www.driftsun.com/products/75-quart-performance-ice-chest-insulated-rotomolded-cooler-75-qt?variant=40025494984&gclid=Cj0KCQiA3dTQBR%E2%80%A6>>. 3 pages.

'ebay.com' [online]. "Icer Cooler 20QT High Quality, Coral Color | eBay," Published on or before Sep. 19, 2017. Retrieved from the Internet: URL<<https://www.ebay.com/i/122515851341?chn=ps&dispItem=1>>. 5 pages.

'endureoutdoors.com' [online]. "Grey 20 Qt Cooler—Endure Outdoors," Published on or before Sep. 19, 2017. Retrieved from the Internet: URL<<https://endureoutdoors.com/products/grey-20-qt-cooler>>. 2 pages.

'engelcoolers.com' [online]. "ENG35 Deepblue Cooler," Published on or before Sep. 26, 2017, Retrieved from the Internet: URL<<https://www.engelcoolers.com/engel-eng35-cooler.html>>. 6 pages.

'engelcoolers.com' [online]. "Eng25 Deepblue Cooler," Published on or before Sep. 19, 2017, Retrieved from the Internet: URL<<https://www.engelcoolers.com/engel-eng25-cooler.html>>. 5 pages.

'farmandfleet.com' [online]. "Dewalt 10-Quart Jobsite Lunchbox," Published on or before Sep. 19, 2017, Retrieved from the Internet: URL<<https://www.farmandfleet.com/products/1040500-dewalt-10-quart-jobsite-lunchbox.html>>. 4 pages.

(56)

## References Cited

## OTHER PUBLICATIONS

'farmandfleet.com' [online]. "Dewalt 45-Quart Jobsite Cooler," Published on or before Sep. 26, 2017, Retrieved from the Internet: URL<<https://www.farmandfleet.com/products/1040504-dewalt-45-quart-jobsite-cooler.html?feedsource=3&gclid=Cj0KCCQiA3dTQBRDnARIsAGKSflk8HdxOh%E2%80%A6>>. 4 pages.

'fatboycoolers.com' [online]. "Fatboy 20QT Roto Molded Cooler Seafoam Green," Published on or before Sep. 19, 2017, Retrieved from the Internet: URL<[https://fatboycoolers.com/fatboy-20qt-rotomolded-cooler-seafoam-green.html?gclid=EA1aIQobChMI6tLSr7j01gIVRSSGCh3oFA8WEAkYAYABEgKYNvD\\_BwE](https://fatboycoolers.com/fatboy-20qt-rotomolded-cooler-seafoam-green.html?gclid=EA1aIQobChMI6tLSr7j01gIVRSSGCh3oFA8WEAkYAYABEgKYNvD_BwE)>. 4 pages.

'fatboycoolers.com' [online]. "Fatboy 45QT Roto Molded Cooler," Published on or before Sep. 26, 2017, Retrieved from the Internet: URL<<https://fatboycoolers.com/fatboy-45qt-rotomolded-cooler.html#tab-product2>>. 4 pages.

'grizzlycoolers.com' [online]. "Grizzly 20 | Heavy Duty Coolers, Outdoor Coolers | Grizzly Coolers," Published on or before Sep. 19, 2017, Retrieved from the Internet: URL<<https://www.grizzlycoolers.com/coolers/grizzly-20>>. 7 pages.

'grizzlycoolers.com' [online]. "Grizzly 40 | Heavy Duty Coolers, Outdoor Coolers," Published on or before Sep. 26, 2017, Retrieved from the Internet: URL<[www.grizzlycoolers.com/coolers/grizzly-40](http://www.grizzlycoolers.com/coolers/grizzly-40)>. 9 pages.

'heb.com' [online]. "Kodi Cooler 20 qt, White," Published on or before Sep. 19, 2017, Retrieved from the Internet: URL<<https://www.heb.com/product-detail/kodi-cooler-20-qt-white/1877400>>. 4 pages.

'heb.com' [online]. "Kodi Cooler 38 qt, Brown," Published on or before Sep. 26, 2017, Retrieved from the Internet: URL<<https://www.heb.com/product-detail/kodi-cooler-38-qt-brown/1876260>>. 4 pages.

'homedepot.com' [online]. "Arctic Cove 20 qt. Rotomolded Cooler with Built-In Cup Holders—ACRMC20," Published on or before Sep. 26, 2017, Retrieved from the Internet: URL<<https://www.homedepot.com/p/Arctic-Cove-20-qt-Rotomolded-Cooler-with-Built-In-Cup-Holders-ACRMC20/207040876>>. 4 pages.

'homedepot.com' [online]. "Calcutta 50 Qt. Cooler-2531-0159," Published on or before Sep. 26, 2017, Retrieved from the Internet: URL<[https://www.homedepot.com/p/Calcutta-50-Qt-Cooler-2531-0159/206677252?MERCH=REC--PIPHorizontal\\_1\\_rr--207040876--206677252--N](https://www.homedepot.com/p/Calcutta-50-Qt-Cooler-2531-0159/206677252?MERCH=REC--PIPHorizontal_1_rr--207040876--206677252--N)>. 4 pages.

'homedepot.com' [online]. "Igloo Sportsman 40 Qt. Retractable Handles Cooler-00045891," Published on or before Sep. 26, 2017, Retrieved from the Internet: URL<[https://www.homedepot.com/p/IGLOO-Sportsman-40-Qt-Retractable-Handles-Cooler-00045891/205850881?MERCH=REC--PIPHorizontal\\_1\\_rr--207%E2%80%A6](https://www.homedepot.com/p/IGLOO-Sportsman-40-Qt-Retractable-Handles-Cooler-00045891/205850881?MERCH=REC--PIPHorizontal_1_rr--207%E2%80%A6)>. 4 pages.

'igloocoolers.com' [online]. "Igloo Coolers | Sportsman 20 Qt Rotomold Cooler," Published on or before Sep. 19, 2017, Retrieved from the Internet: URL<<https://www.igloocoolers.com/collections/hard-coolers/products/sportsman-20-qt-rotomold-cooler>>. 4 pages.

'igloocoolers.com' [online]. "Igloo Coolers | Contour 30 Qt Cooler," Published on or before Sep. 19, 2017, Retrieved from the Internet:

URL<<https://www.igloocoolers.com/collections/1-day/products/contour-30-qt-cooler?variant=39841637061>>. 4 pages.

'k2-coolers.com' [online]. "Summit 30—Summit Series Coolers," Published on or before Sep. 19, 2017, Retrieved from the Internet: URL<<http://www.k2-coolers.com/index.php/summit-series/summit-30.html>>. 4 pages.

'k2-coolers.com' [online]. "Summit 50 Shadow Grass Blades," Published on or before Sep. 26, 2017, Retrieved from the Internet: URL<<http://www.k2-coolers.com/index.php/summit-series/50-shadow-grass.html>>. 3 pages.

'mammothcooler.com' [online]. "Cruiser 25 | Mammoth Coolers," Published on or before Sep. 19, 2017, Retrieved from the Internet: URL<<https://mammothcooler.com/product/cruiser25/>>. 3 pages.

'mammothcooler.com' [online]. "Ranger 45 | Mammoth Coolers," Published on or before Sep. 26, 2017, Retrieved from the Internet: URL<<https://mammothcooler.com/product/ranger-45/>>. 4 pages.

'orcacoolers.com' [online]. "Green 40 Quart," Published on or before Sep. 26, 2017, Retrieved from the Internet: URL<<https://www.orcacoolers.com/green-40-quart-cooler-orcg040>>. 3 pages.

'orcacoolers.com' [online]. "Orca Green 20 Quart Cooler," Published on or before Sep. 19, 2017, Retrieved from the Internet: URL<<https://www.orcacoolers.com/green-20-quart-cooler-orcg020>>. 3 pages.

'pelican.com' [online]. "20QT Cooler—Elite Cooler | Cooler | Pelican Consumer," Published on or before Sep. 19, 2017, Retrieved from the Internet: URL<<http://www.pelican.com/us/en/product/outdoor-heavy-duty-coolers/elite-cooler/standard/20QT/>>. 3 pages.

'stanley-pmi.com' [online]. "7 Quart Cooler | Stanley Adventure Cooler," Published on or before Sep. 19, 2017, Retrieved from the Internet: URL<[http://stanley-pmi.com/store?Action=DisplayProductDetailsPage&Locale=en\\_US&SiteID=stanley&productID=5124998300](http://stanley-pmi.com/store?Action=DisplayProductDetailsPage&Locale=en_US&SiteID=stanley&productID=5124998300)>. 2 pages.

'walmart.com' [online]. "Ozark Trail 26-Quart High-Performance Cooler, Grey," Published on or before Sep. 19, 2017, Retrieved from the Internet: URL<<https://www.walmart.com/ip/Ozark-Trail-26-Quart-High-Performance-Cooler-Grey/49229405>>. 8 pages.

'walmart.com' [online]. "Ozark Trail 73-Quart High-Performance Cooler, Grey," Published on or before Sep. 26, 2017, Retrieved from the Internet: URL<<https://www.walmart.com/ip/Ozark-Trail-73-Quart-High-Performance-Cooler-Grey/49229408>>. 9 pages.

'yeti.com' [online]. "Yeti | Roadie 20 Cooler," Published on or before Sep. 19, 2017, Retrieved from the Internet: URL<<http://yeti.com/roadie-cooler>>. 4 pages.

20 hard-side cooler, RTIC IP, LLC, first disclosed on Jul. 31, 2015, 8 pages.

45 hard-side cooler, RTIC IP, LLC, first disclosed on Jul. 3, 2015, 7 pages.

65 hard-side cooler, RTIC IP, LLC, first disclosed on Jul. 3, 2015, 1 page.

U.S. Appl. No. 29/618,241, filed Sep. 20, 2017, Jacobsen.

U.S. Appl. No. 29/667,281, filed Oct. 19, 2018, Jacobsen.

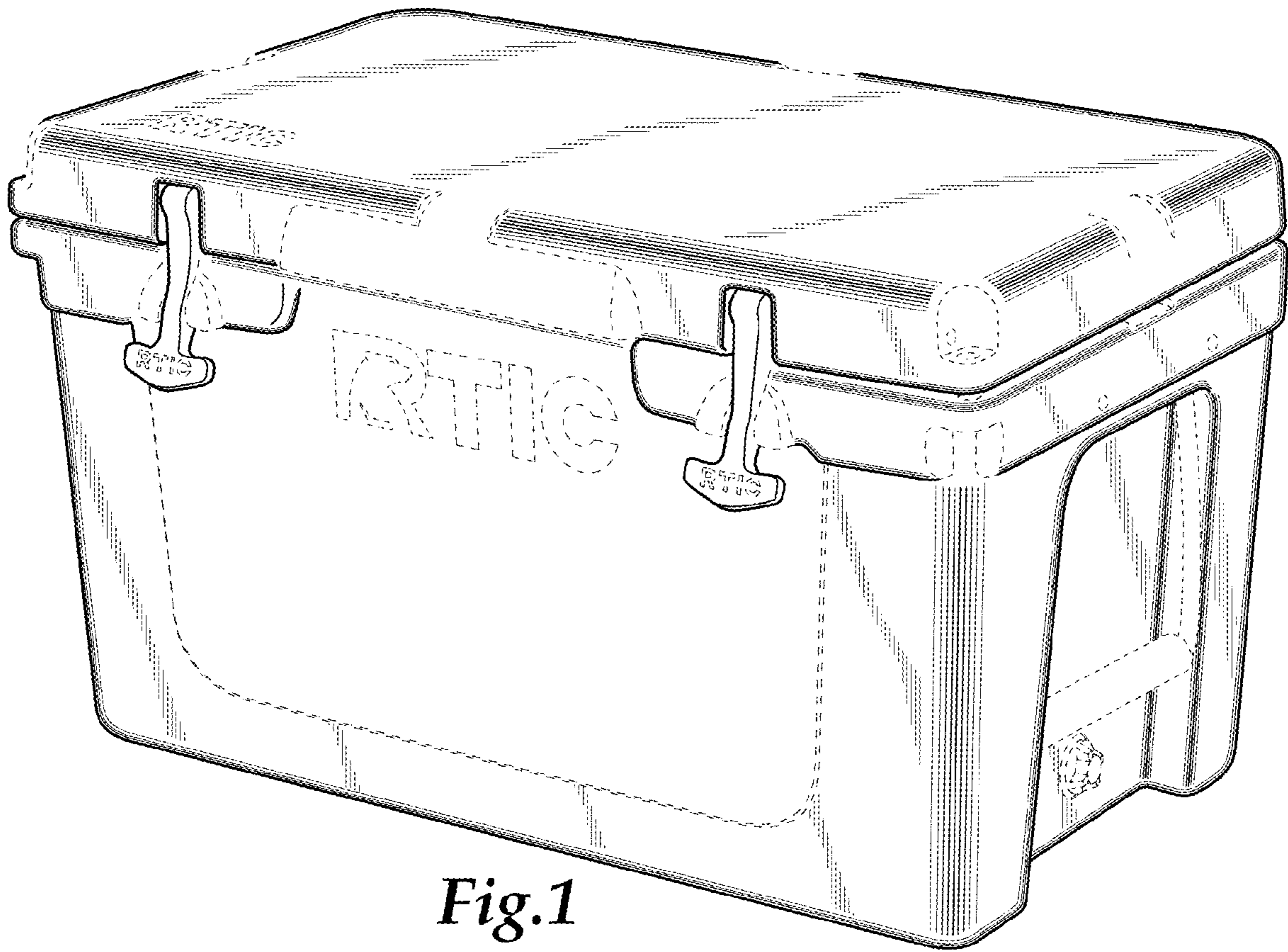
U.S. Appl. No. 29/619,131, filed Sep. 27, 2017, Jacobsen.

U.S. Appl. No. 29/623,153, filed Oct. 23, 2017, Jacobsen.

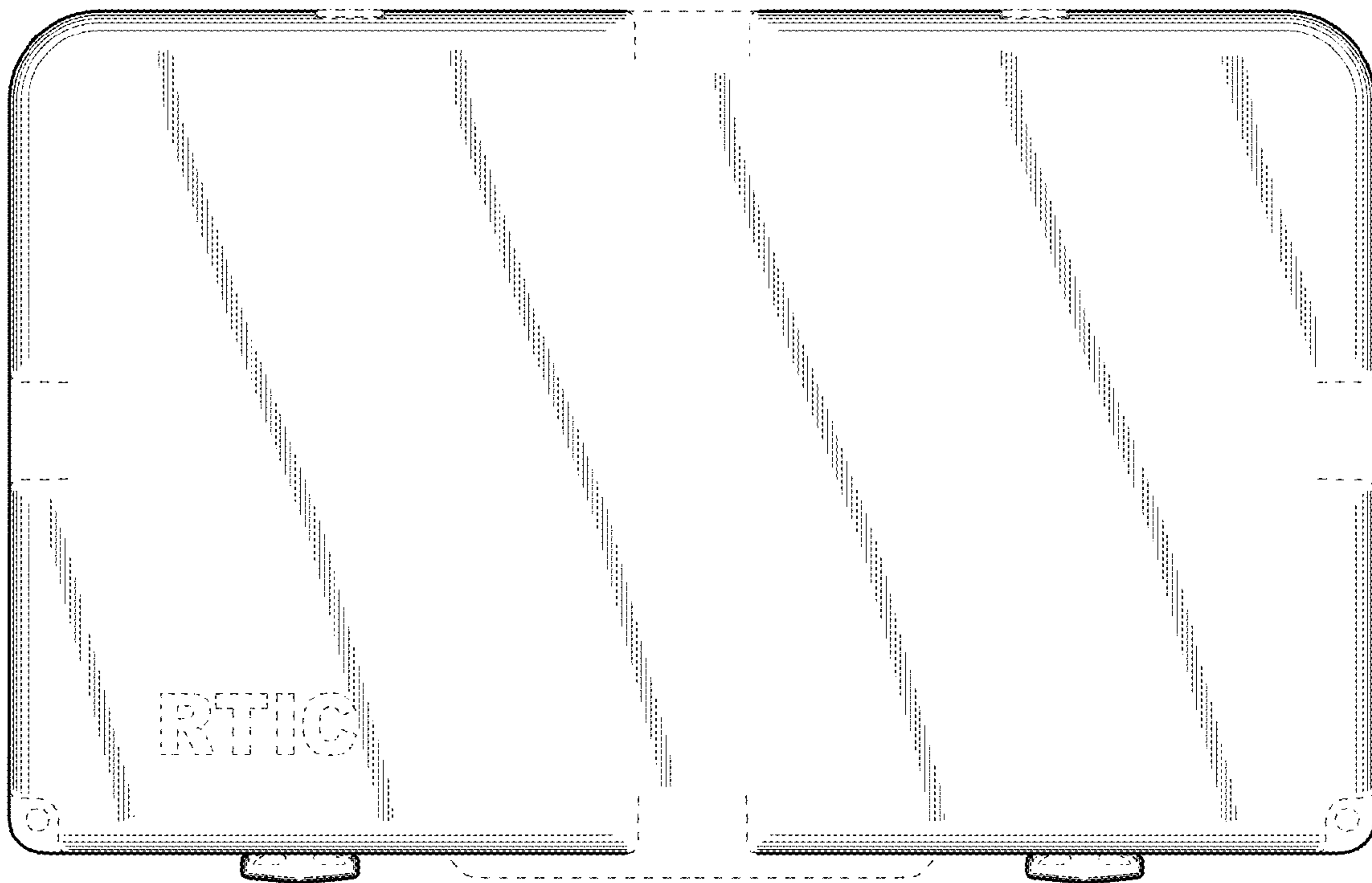
U.S. Appl. No. 29/624,454, filed Nov. 1, 2017, Jacobsen.

U.S. Appl. No. 29/624,457, filed Nov. 1, 2017, Jacobsen.

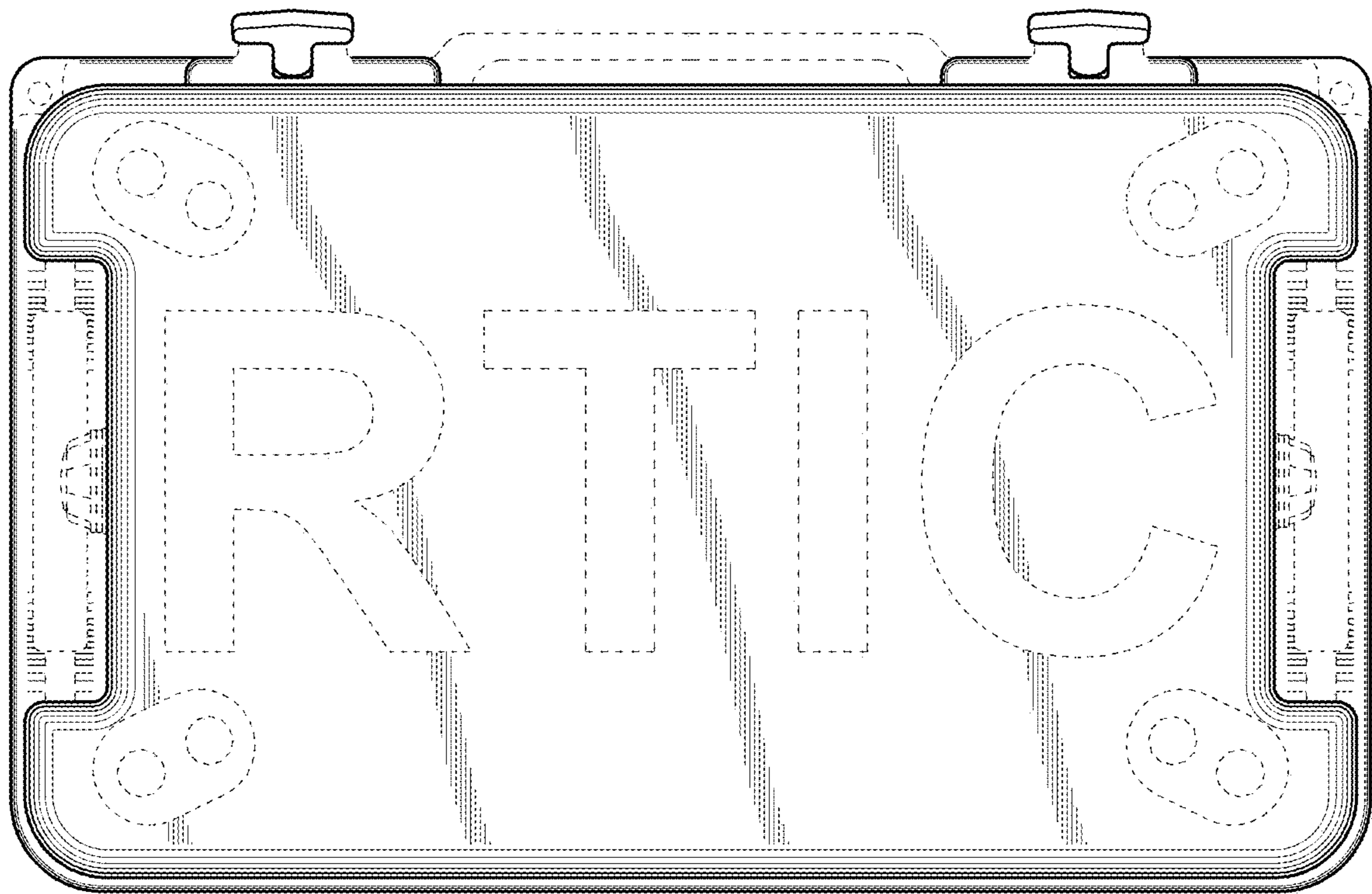
\* cited by examiner



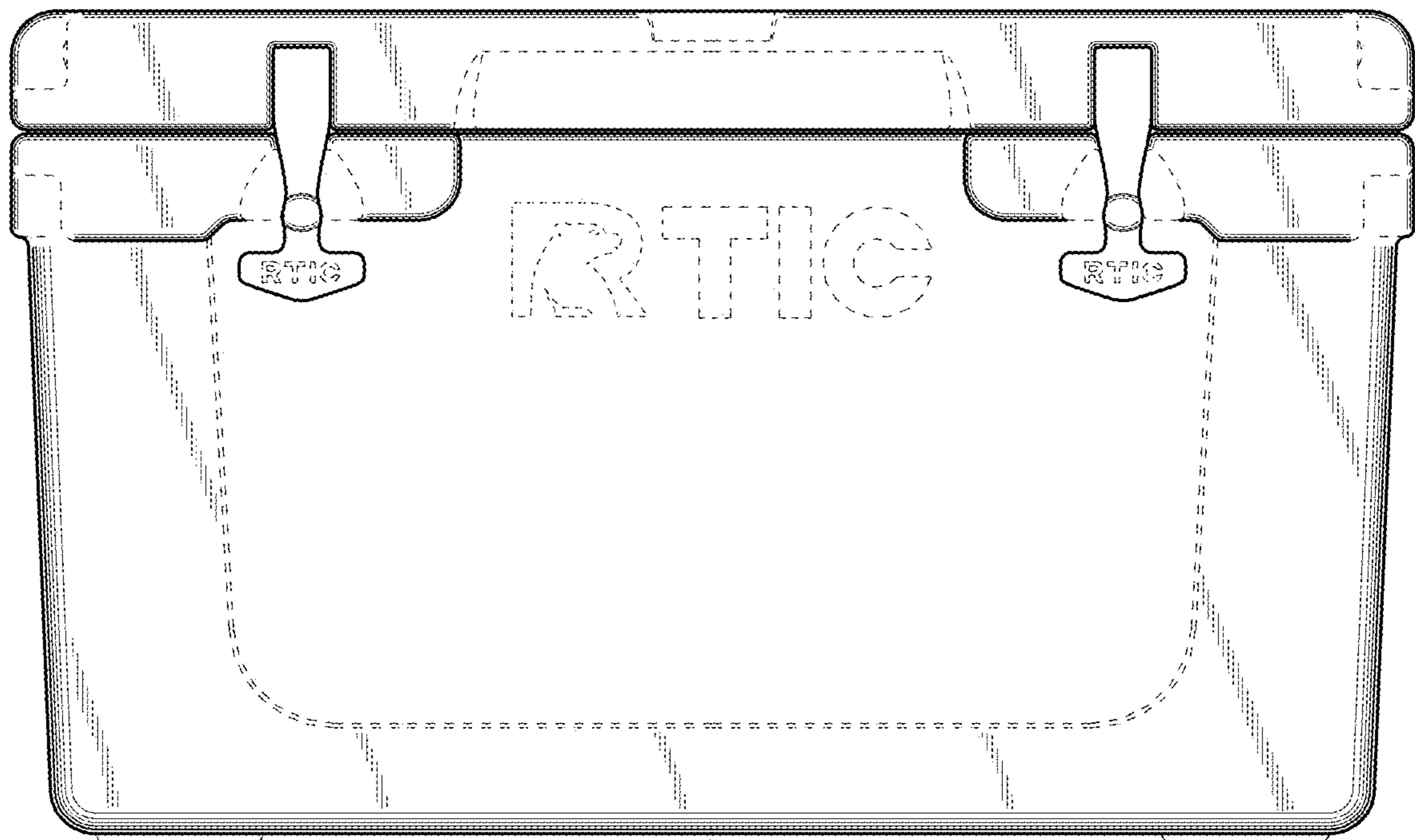
*Fig.1*



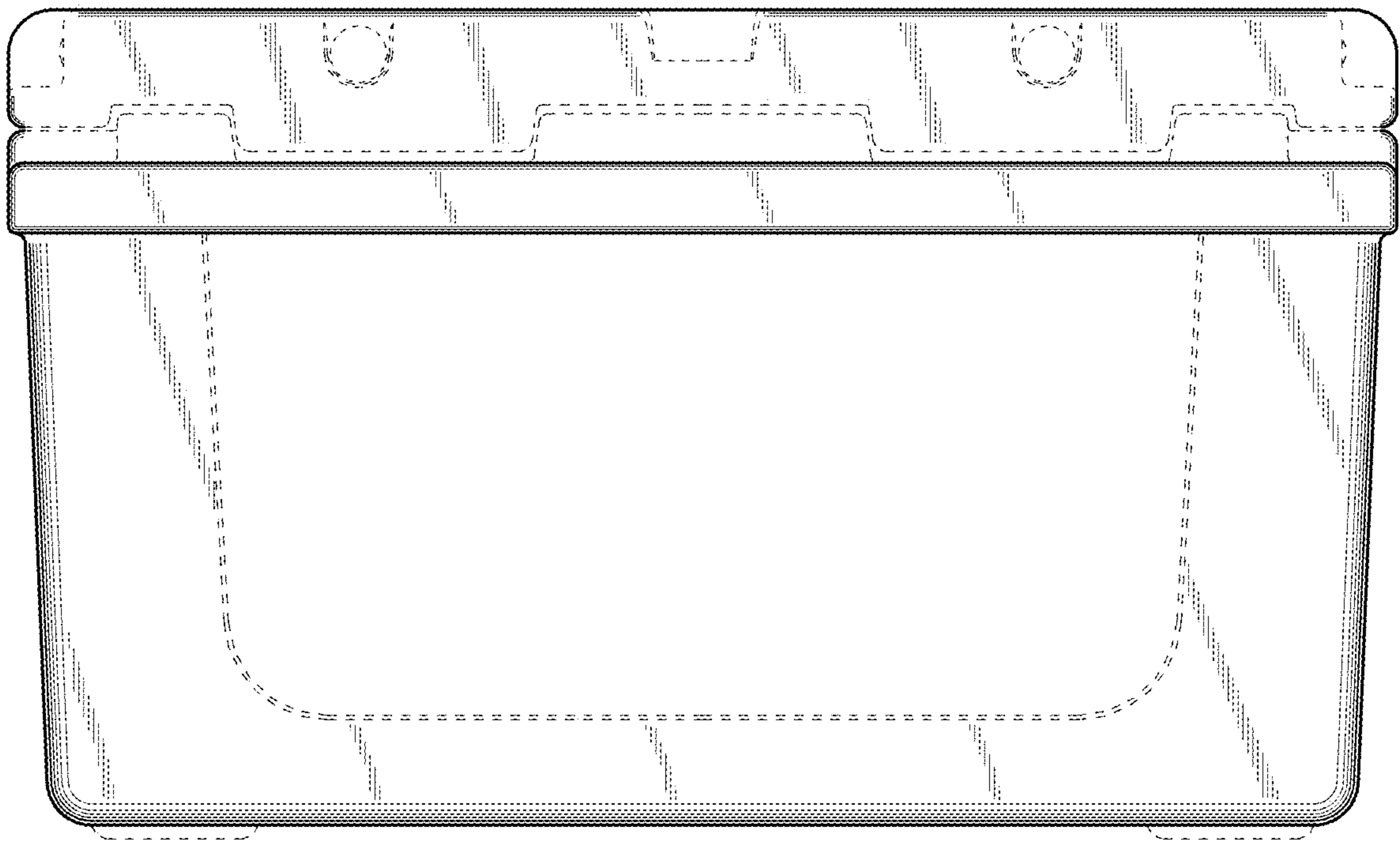
*Fig.2*



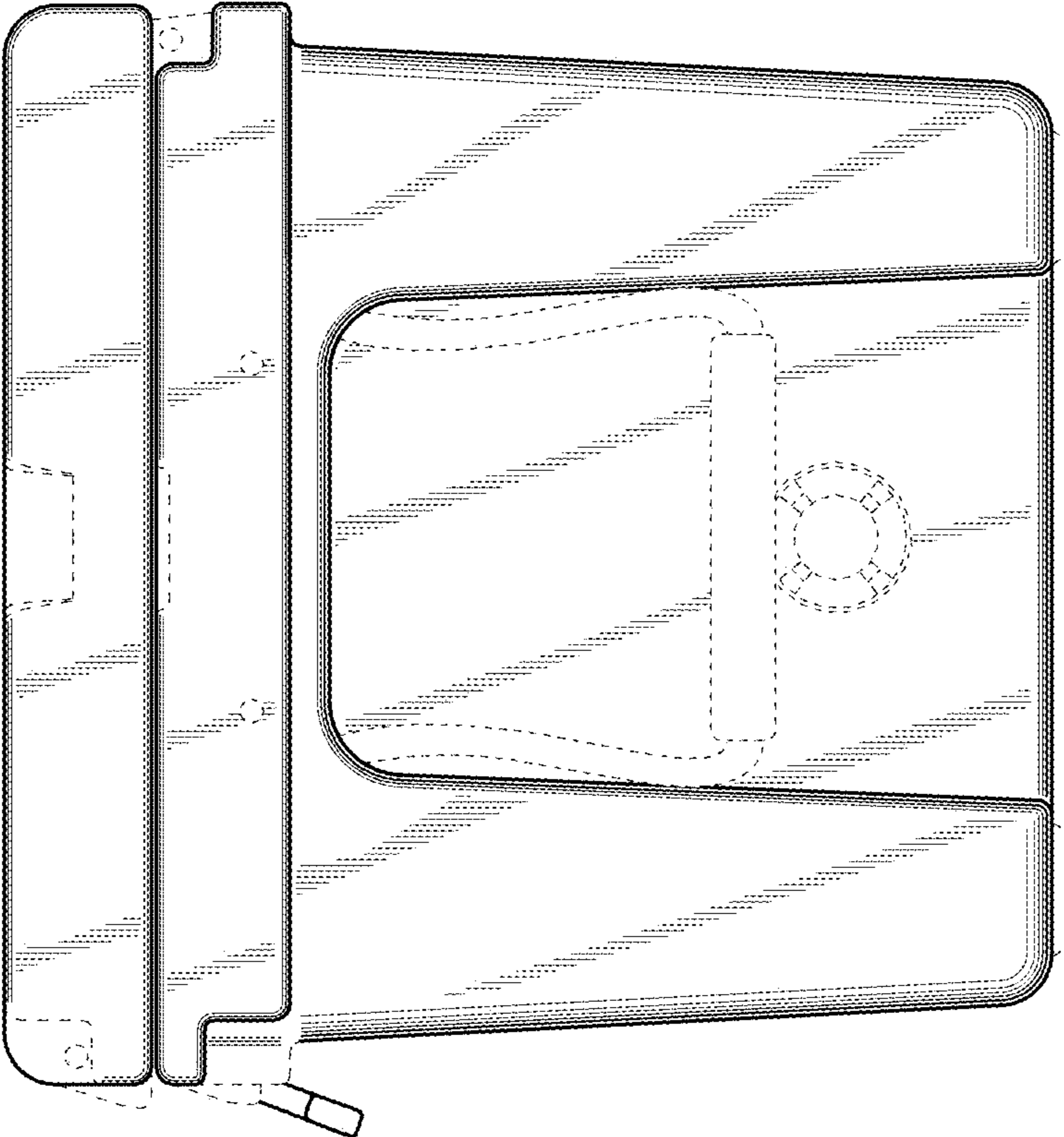
*Fig.3*



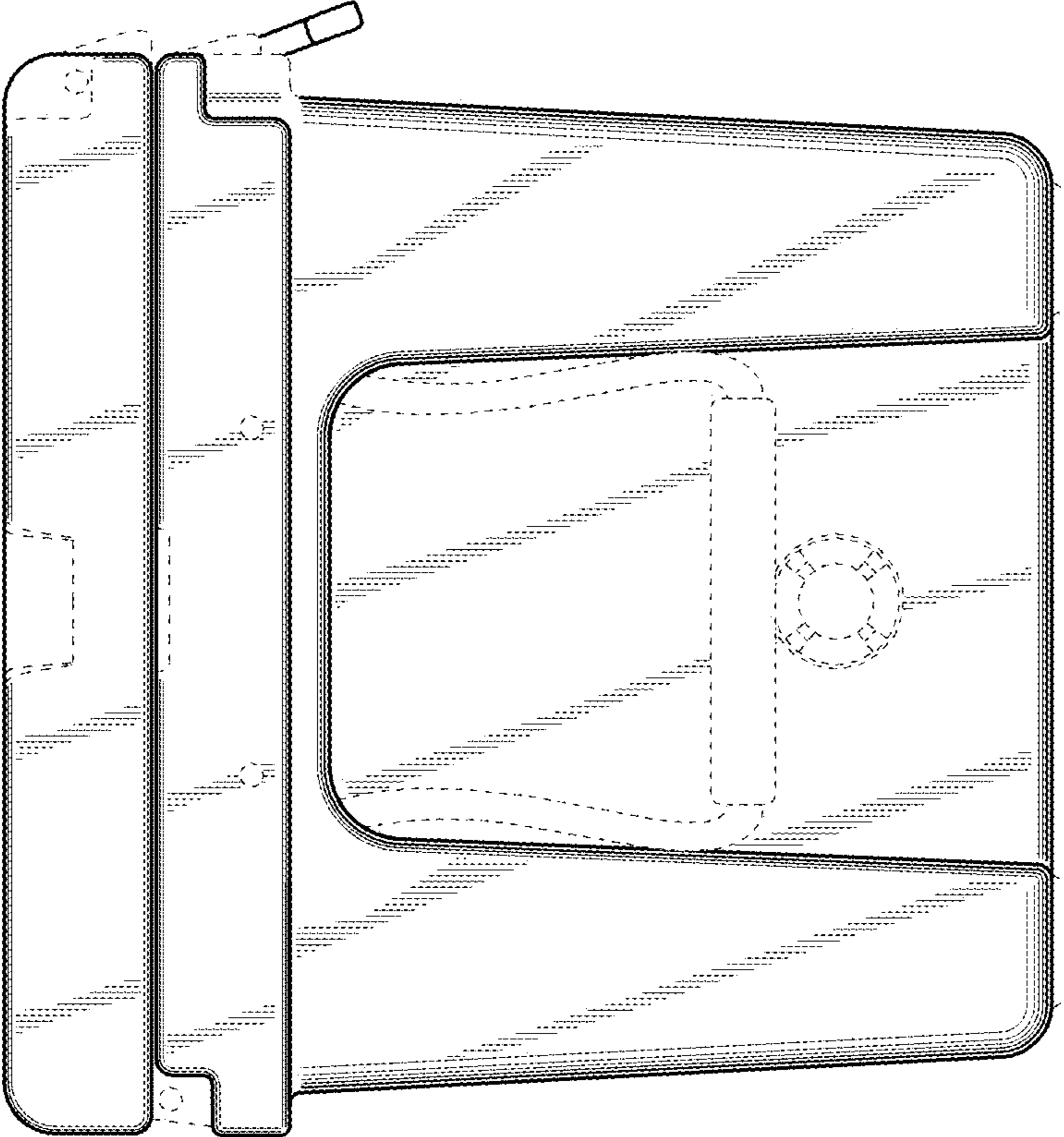
*Fig.4*



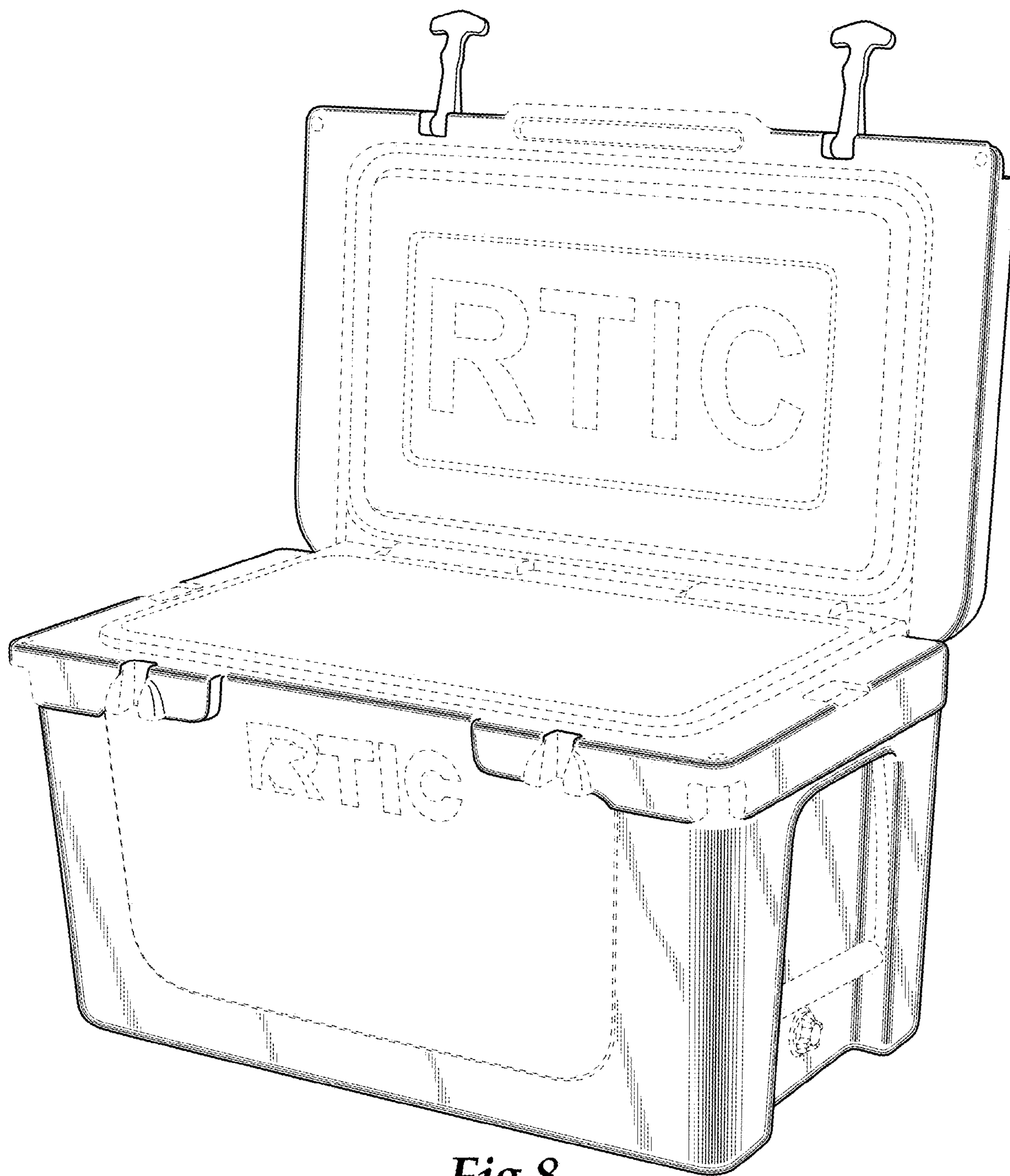
*Fig.5*



*Fig.7*



*Fig.6*



*Fig.8*