



US00D880950S

(12) **United States Design Patent** (10) **Patent No.:** **US D880,950 S**  
**Kriesel et al.** (45) **Date of Patent:** **\*\* Apr. 14, 2020**

(54) **STORAGE CONTAINER**  
(71) Applicant: **Tak Logic, LLC**, Ettrick, WI (US)  
(72) Inventors: **Matthew Kriesel**, Ettrick, WI (US);  
**Troy Goodenough**, Ettrick, WI (US)  
(73) Assignee: **TAK LOGIC, LLC**, Ettrick, WI (US)  
(\*\*) Term: **15 Years**  
(21) Appl. No.: **29/670,267**  
(22) Filed: **Nov. 14, 2018**  
(51) **LOC (12) Cl.** ..... **07-07**  
(52) **U.S. Cl.**  
USPC ..... **D7/602**  
(58) **Field of Classification Search**  
USPC ..... D7/602, 553.1, 553.2, 553.4, 554.3, 555,  
D7/601, 553.5, 584; D9/430, 758, 759;  
426/85; D3/273  
CPC ..... A47G 19/02; A47G 19/025; B65D 1/24;  
B65D 1/36; A45C 11/20; B42F 9/00  
See application file for complete search history.

D789,086 S \* 6/2017 Lin ..... D3/294  
D796,266 S \* 9/2017 Croft ..... D7/538  
D798,595 S \* 10/2017 Etchevers ..... D3/273  
D804,301 S \* 12/2017 Aono ..... D9/430  
D804,326 S \* 12/2017 Matos Rodriguez ..... D9/758  
D805,403 S \* 12/2017 Matos Rodriguez ..... D9/758  
D815,436 S \* 4/2018 Stanley ..... D3/294  
D816,334 S \* 5/2018 Brunner ..... D3/273  
D837,588 S \* 1/2019 Croft ..... D7/391  
D840,841 S \* 2/2019 Appendini ..... D9/759  
D858,101 S \* 9/2019 Williams ..... D3/294  
D862,175 S \* 10/2019 Yu ..... D7/602  
D867,071 S \* 11/2019 Berger ..... D7/584  
10,499,516 B2 \* 12/2019 Dunn ..... H05K 5/03  
2007/0095690 A1 \* 5/2007 Nguy ..... B25H 3/006  
206/372

\* cited by examiner

*Primary Examiner* — Cynthia R Underwood  
(74) *Attorney, Agent, or Firm* — Polsinelli P.C.

(57) **CLAIM**

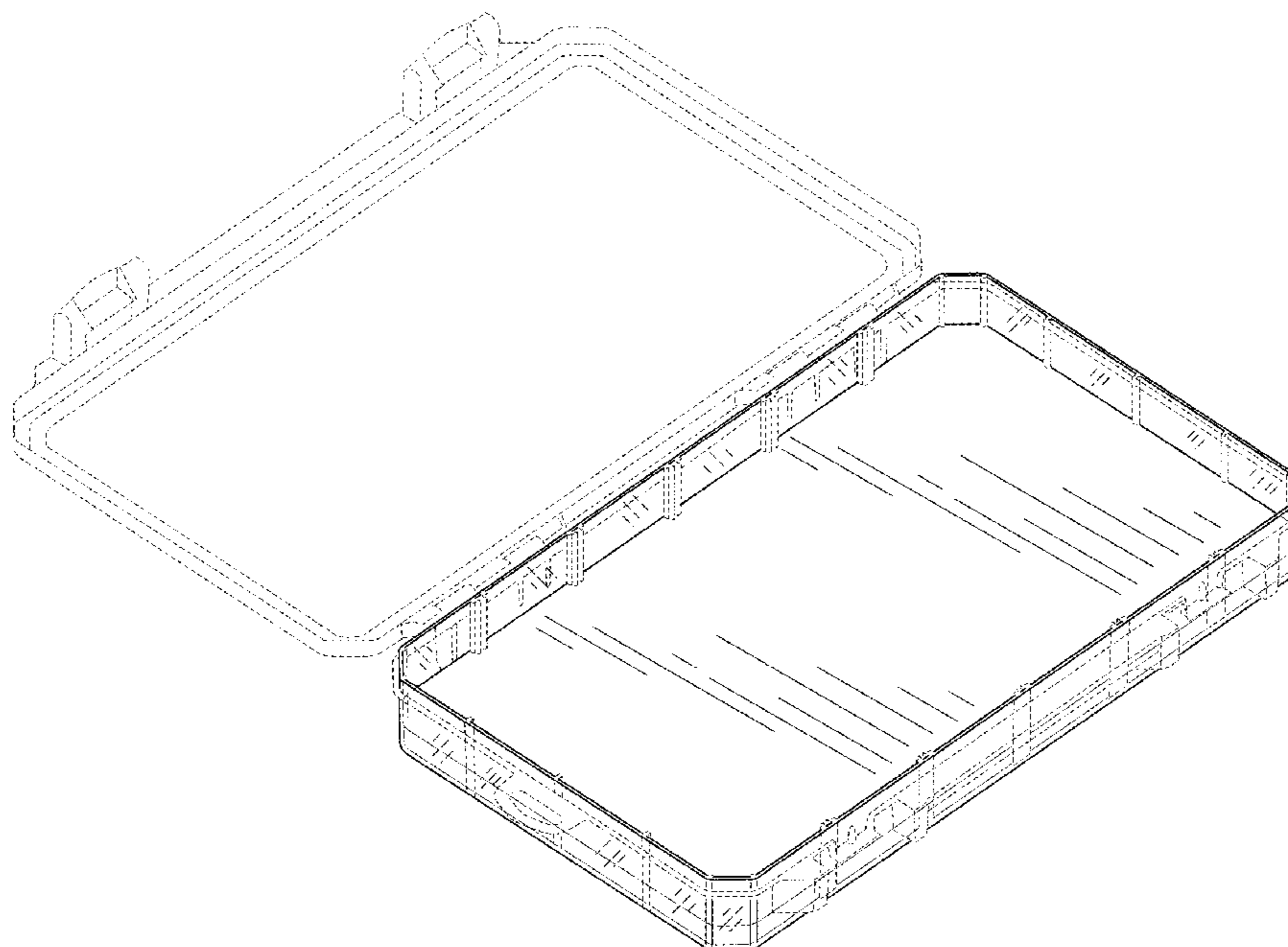
The ornamental design for a storage container, as shown and described.

**DESCRIPTION**

FIG. 1 is a top perspective view of a storage container showing our new design.  
FIG. 2 is bottom perspective view thereof.  
FIG. 3 is a top view thereof.  
FIG. 4 is a bottom view thereof.  
FIG. 5 is a right side view thereof.  
FIG. 6 is a left side view thereof.  
FIG. 7 is a front view thereof; and,  
FIG. 8 is a back view thereof.  
The broken lines represent portions of the storage container that form no part of the claimed design.

**1 Claim, 8 Drawing Sheets**

(56) **References Cited**  
U.S. PATENT DOCUMENTS  
D316,934 S \* 5/1991 Stanfield ..... D3/282  
D458,751 S \* 6/2002 Hsieh ..... D3/273  
D475,852 S \* 6/2003 Peterson ..... D3/260  
6,766,610 B1 \* 7/2004 Lin ..... A01K 97/06  
206/315.11  
6,915,899 B2 \* 7/2005 Lin ..... A01K 97/06  
206/315.11  
D523,244 S \* 6/2006 Peterson ..... D3/295  
D593,369 S \* 6/2009 Green ..... D7/602  
D605,403 S \* 12/2009 Santamarina ..... D3/294  
D668,873 S \* 10/2012 Robinson ..... D3/293  
D668,874 S \* 10/2012 Robinson ..... D3/293



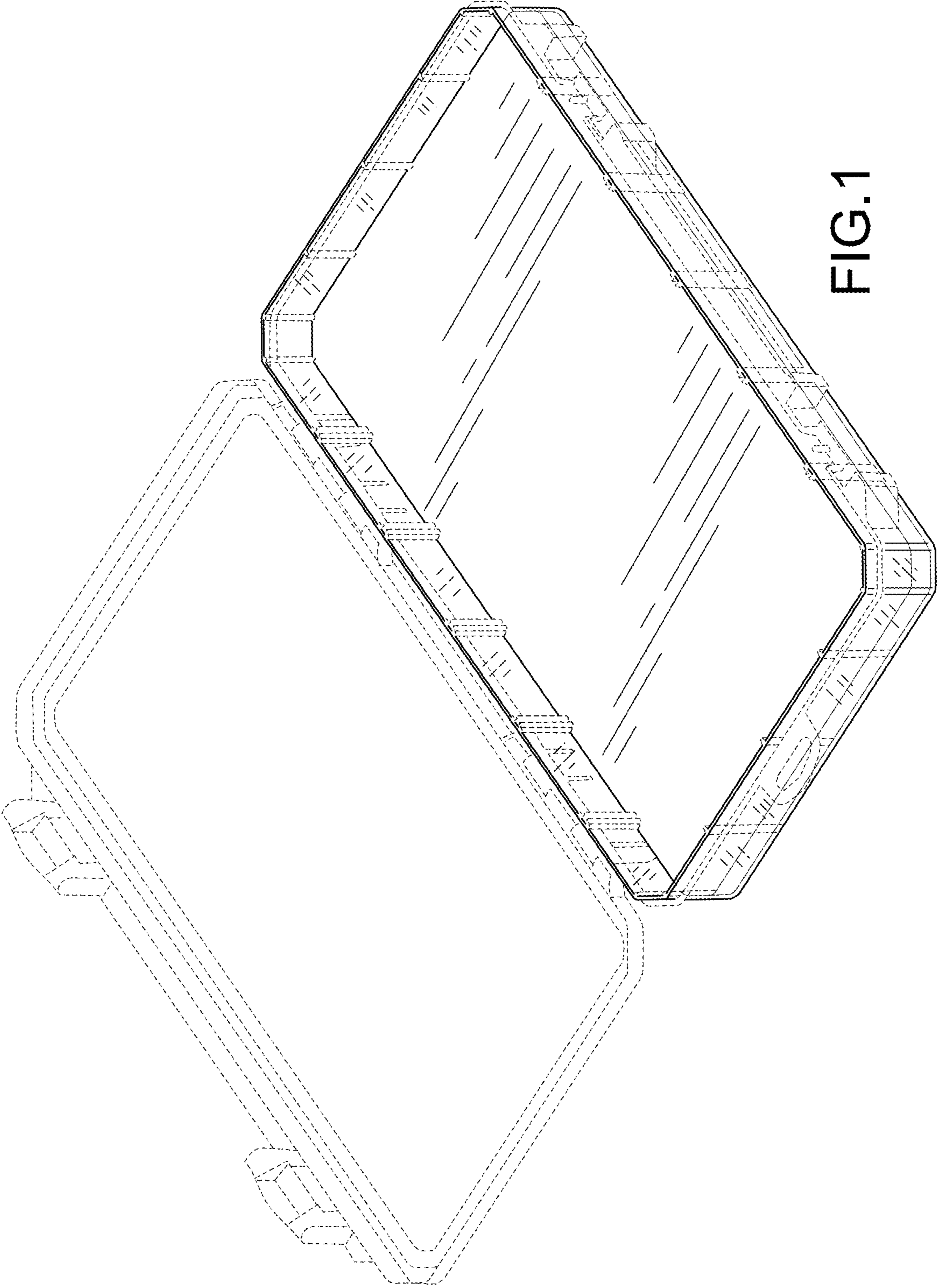


FIG. 1

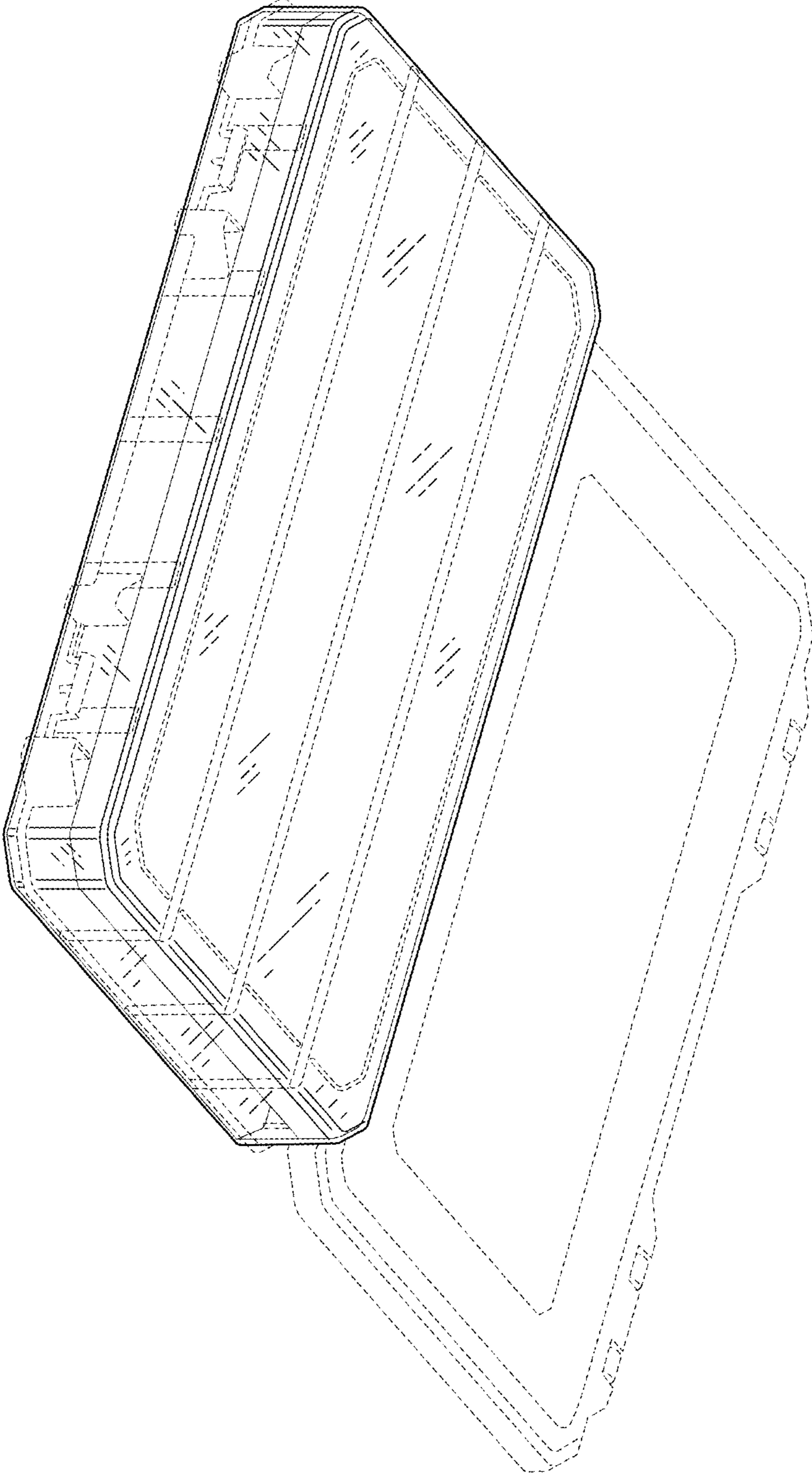


FIG.2

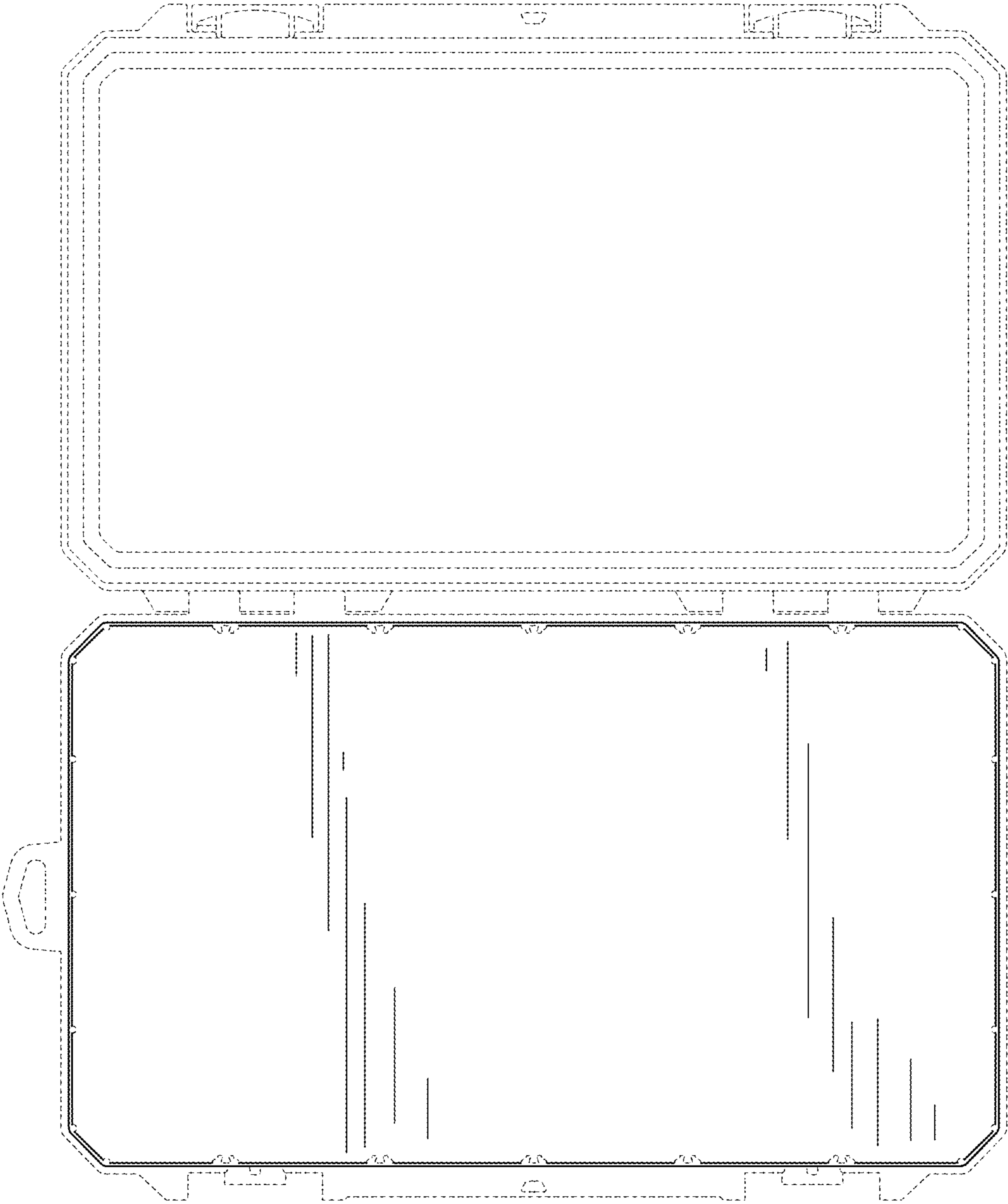


FIG.3

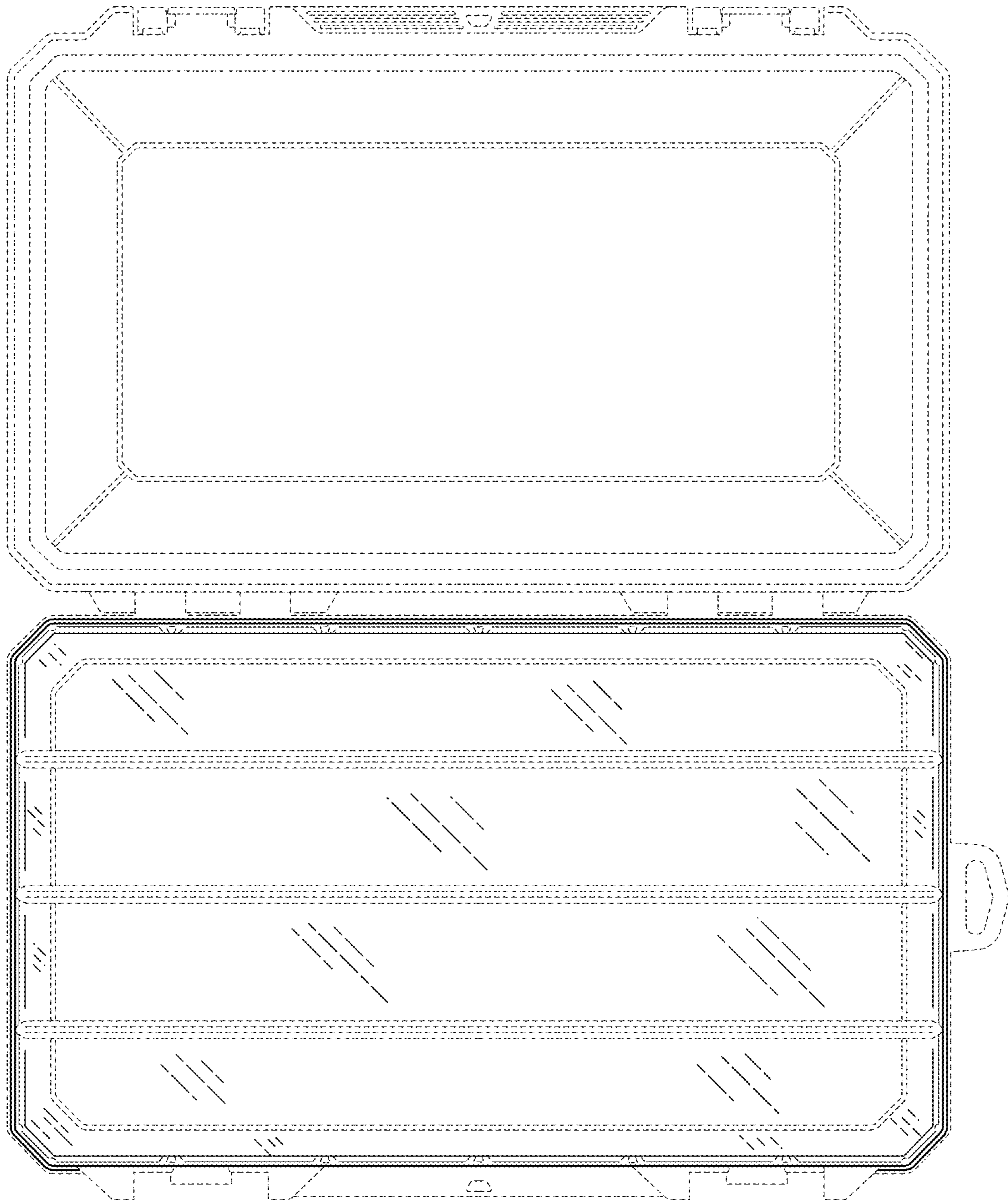


FIG.4

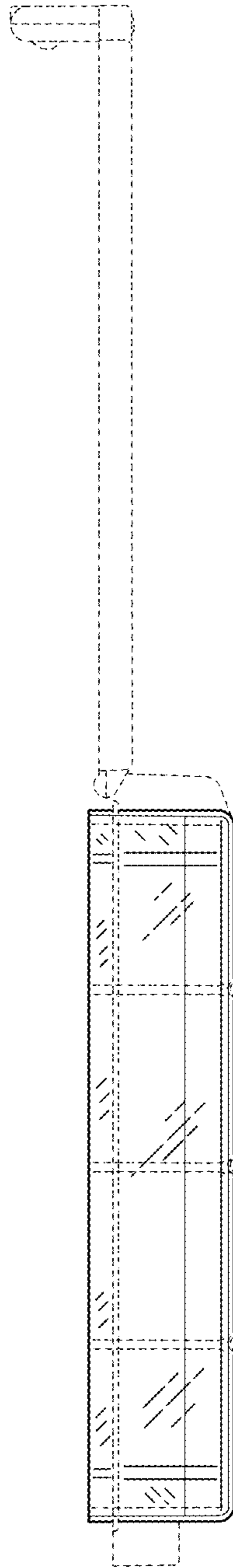


FIG.5

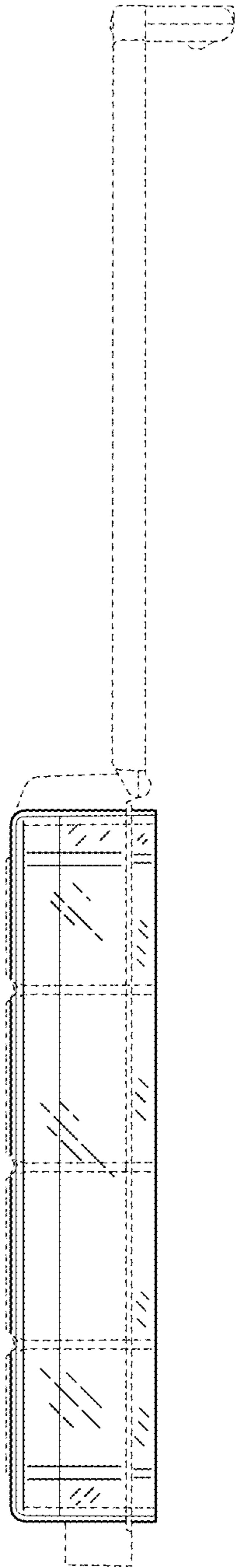


FIG.6

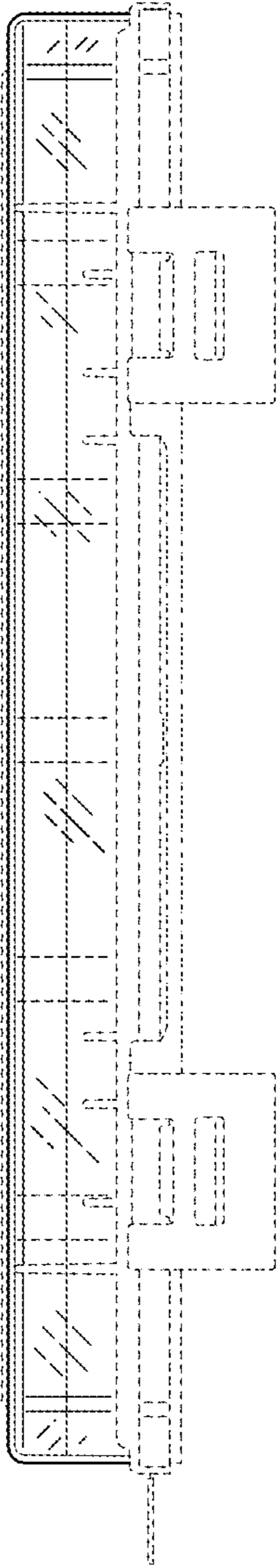


FIG.7



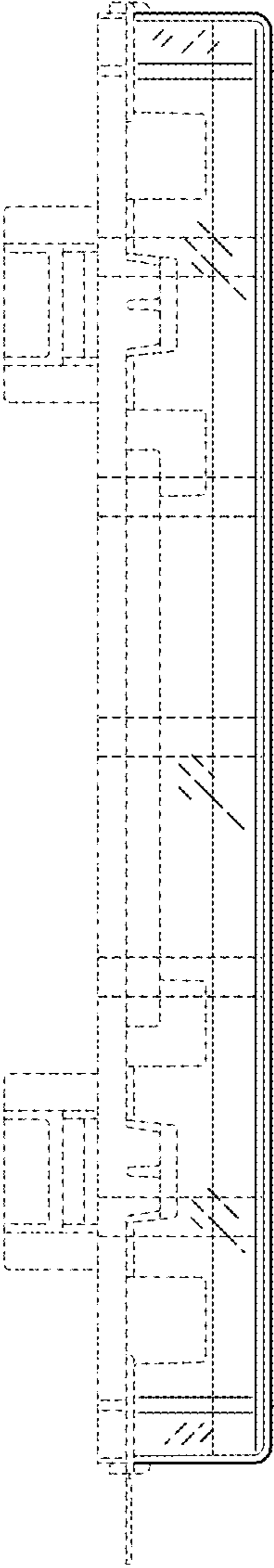


FIG.8