



US00D880949S

(12) **United States Design Patent**
Repko

(10) **Patent No.:** **US D880,949 S**

(45) **Date of Patent:** **** Apr. 14, 2020**

(54) **SPICE RACK**

(71) Applicant: **Veyes LLC**, Indianapolis, IN (US)

(72) Inventor: **Mark Allen Repko**, Indianapolis, IN (US)

(73) Assignee: **Veyes LLC**, Indianapolis, IN (US)

(**) Term: **15 Years**

(21) Appl. No.: **29/666,150**

(22) Filed: **Oct. 10, 2018**

(51) **LOC (12) Cl.** **07-99**

(52) **U.S. Cl.**
USPC **D7/600.4**

(58) **Field of Classification Search**
USPC D7/600.4, 600.1, 590
CPC A47J 47/16; A47B 81/00; A47F 7/002;
A47F 7/00; A47F 5/13; A47F 5/01
See application file for complete search history.

D584,056 S *	1/2009	Ghiorghie	D3/304
D650,203 S *	12/2011	Klein	D6/677.1
D675,849 S *	2/2013	Tawil	D6/705.6
D699,987 S *	2/2014	Angvall	D6/675.5
D739,681 S *	9/2015	Bee	D7/600.4
D747,629 S *	1/2016	Goodman	D7/600.4
D752,906 S *	4/2016	Gunderson	D6/675.1
D753,939 S *	4/2016	Tsai	D6/678.4
D756,177 S *	5/2016	Tsai	D6/681
D769,074 S *	10/2016	Tsai	D28/61
D772,016 S *	11/2016	Tsai	D6/675.2
D781,621 S *	3/2017	Nava	D6/675.2
D785,979 S *	5/2017	Snider	D6/675.1
2006/0283817 A1 *	12/2006	Yang	A47L 19/04 211/41.4

* cited by examiner

Primary Examiner — Cynthia R Underwood

(74) *Attorney, Agent, or Firm* — Faegre Drinker Biddle & Reath LLP

(57) **CLAIM**

The ornamental design for a spice rack, as shown and described.

(56) **References Cited**

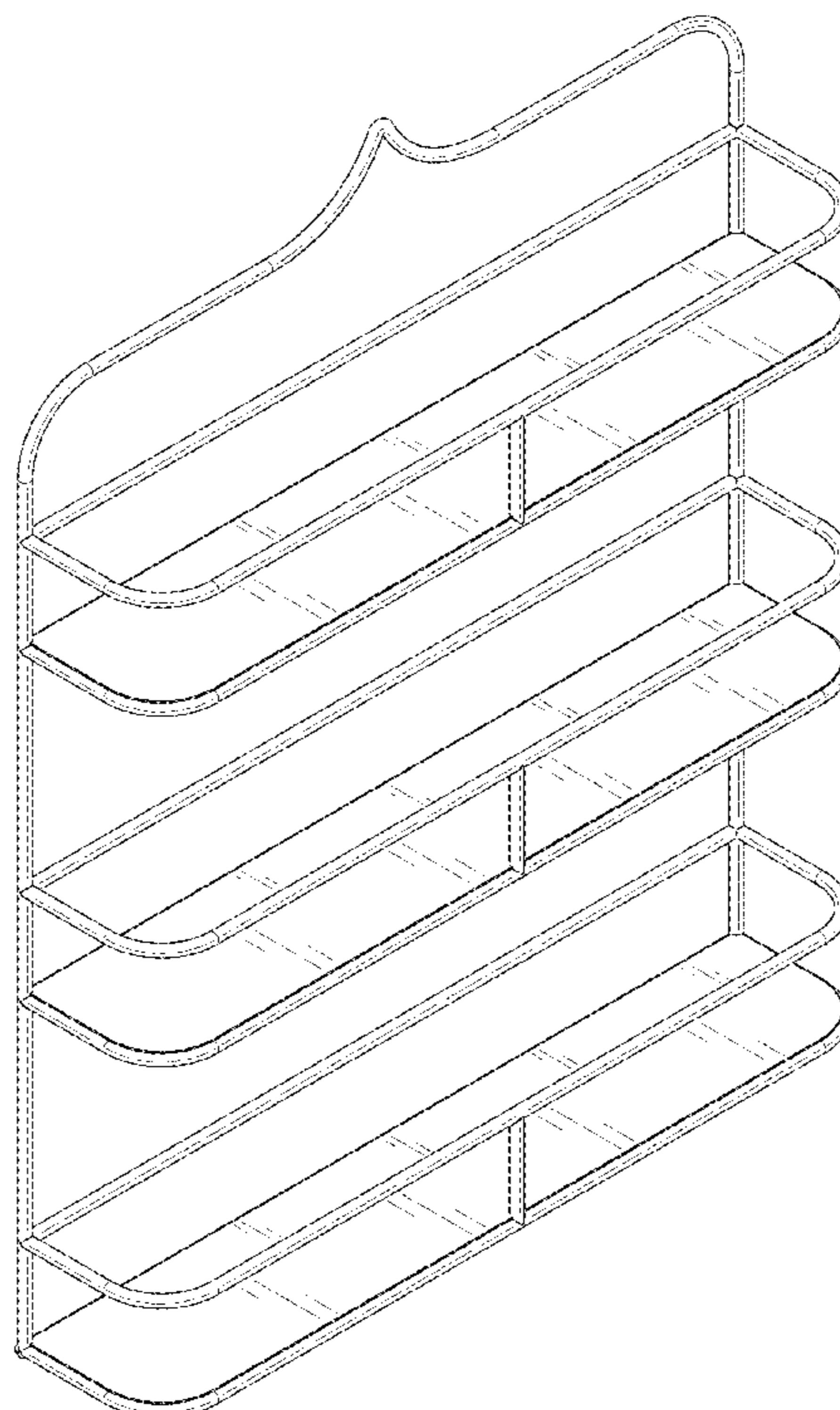
U.S. PATENT DOCUMENTS

D429,435 S *	8/2000	Walters-Dowding	D6/566
D437,165 S *	2/2001	Goodman	D7/600.4
D452,533 S *	12/2001	Goodman	D19/90
D547,094 S *	7/2007	Klein	D6/705.6
D556,475 S *	12/2007	Butler	D6/675.2
D556,476 S *	12/2007	Butler	D6/675.2
D568,657 S *	5/2008	Snider	A47K 3/281 D6/525
D575,087 S *	8/2008	Ghiorghie	A47K 3/281 D6/525

DESCRIPTION

FIG. 1 is a front perspective view of a spice rack showing my new design;
FIG. 2 is a front view thereof;
FIG. 3 is a back view thereof;
FIG. 4 is a left side view thereof;
FIG. 5 is a right side view thereof;
FIG. 6 is a top view thereof; and,
FIG. 7 is a bottom view thereof.

1 Claim, 5 Drawing Sheets



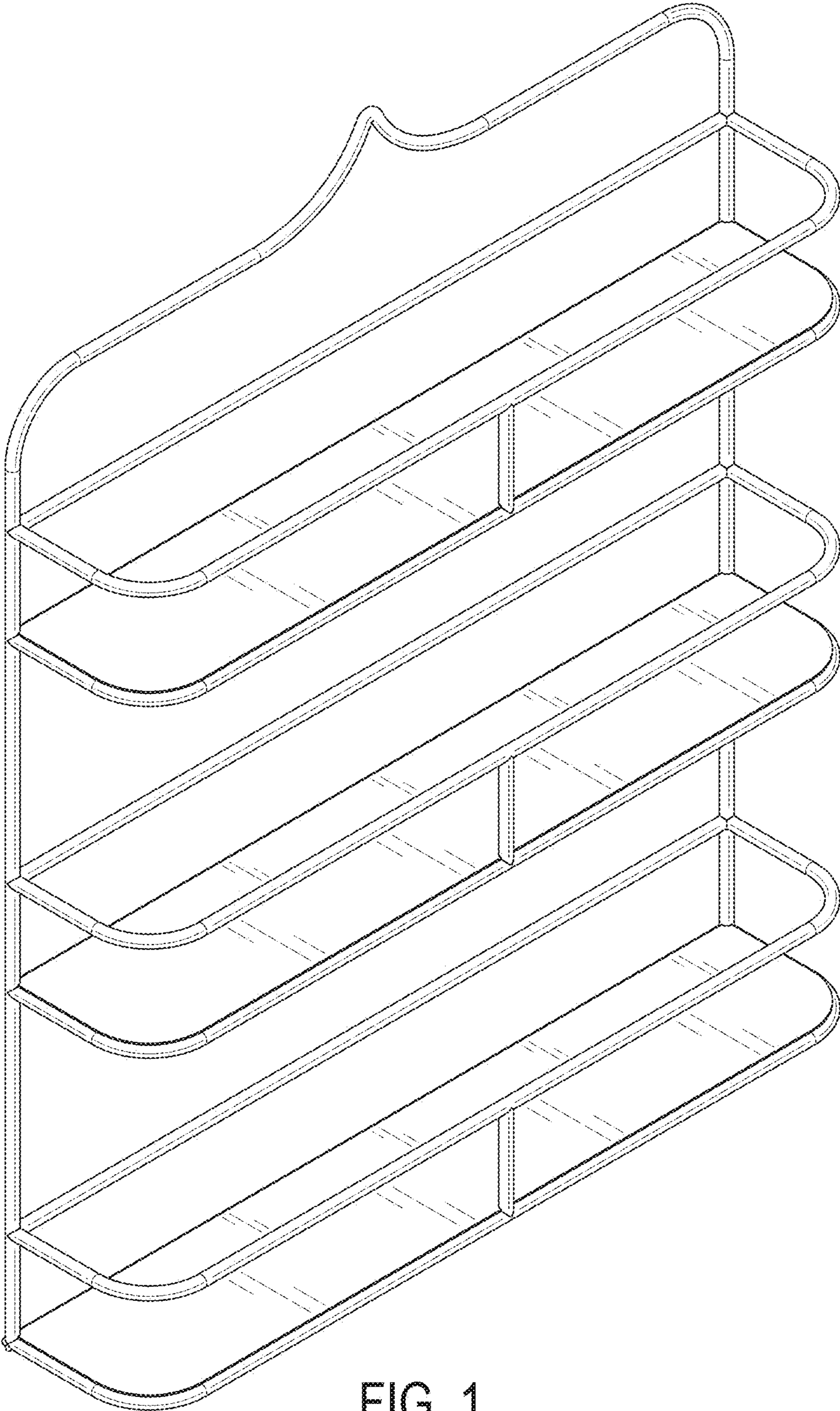


FIG. 1

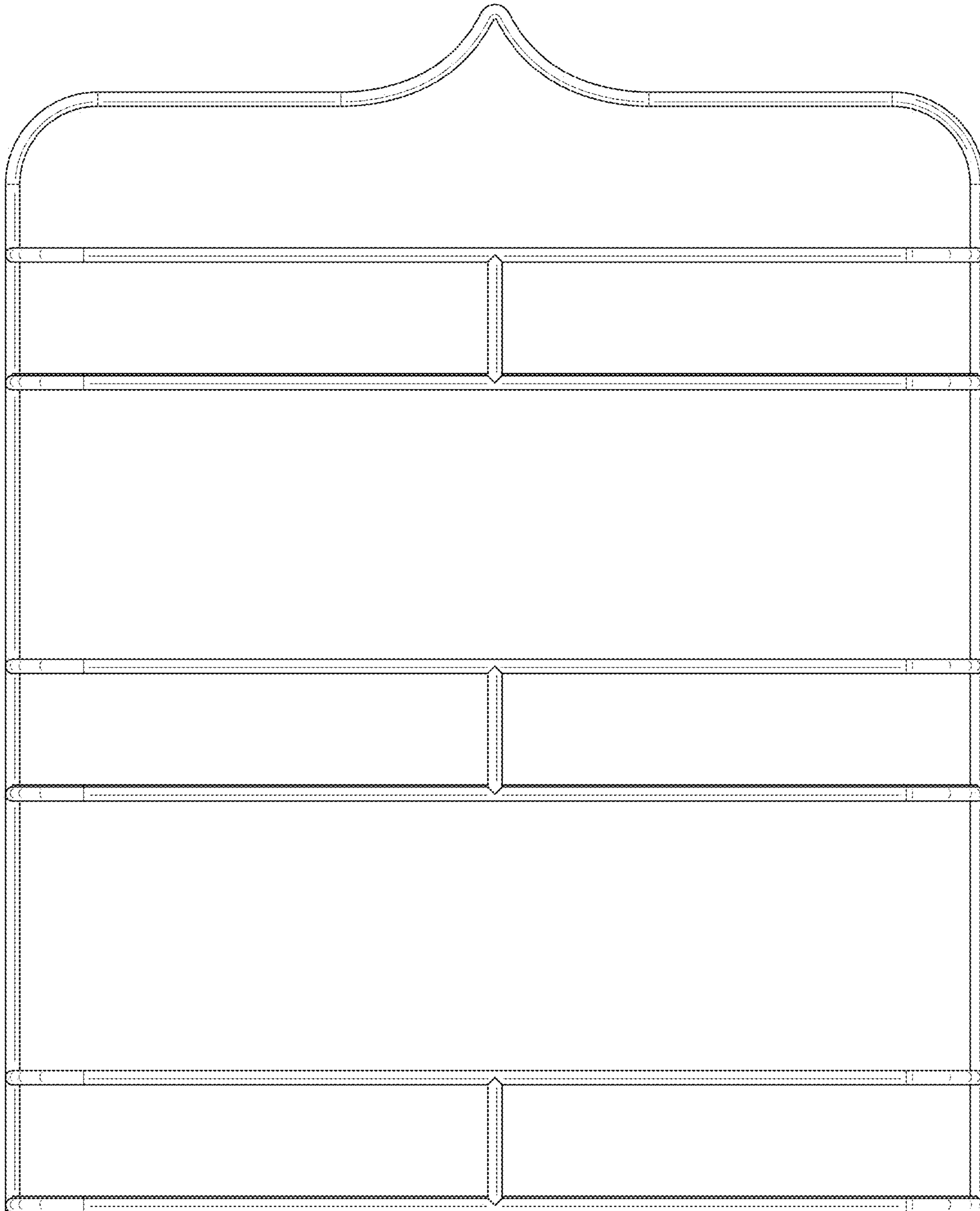


FIG. 2

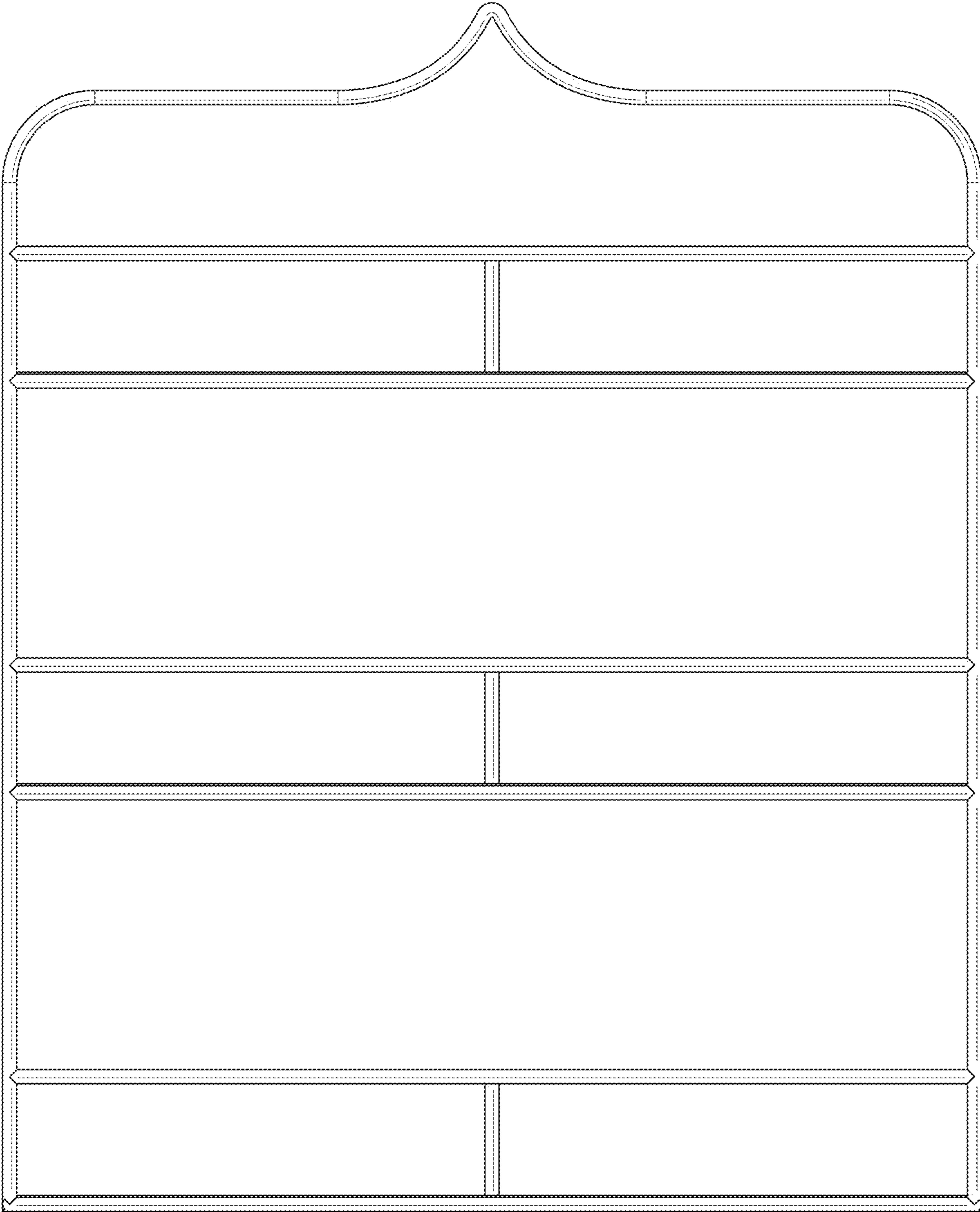


FIG. 3

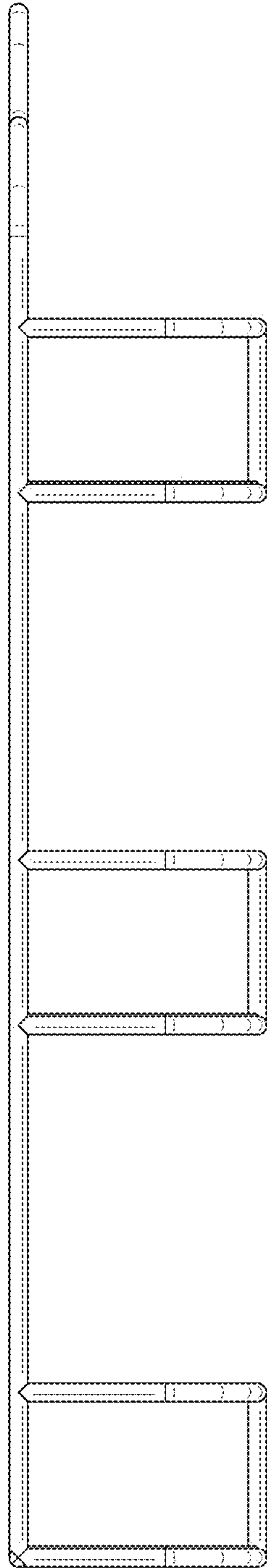


FIG. 4

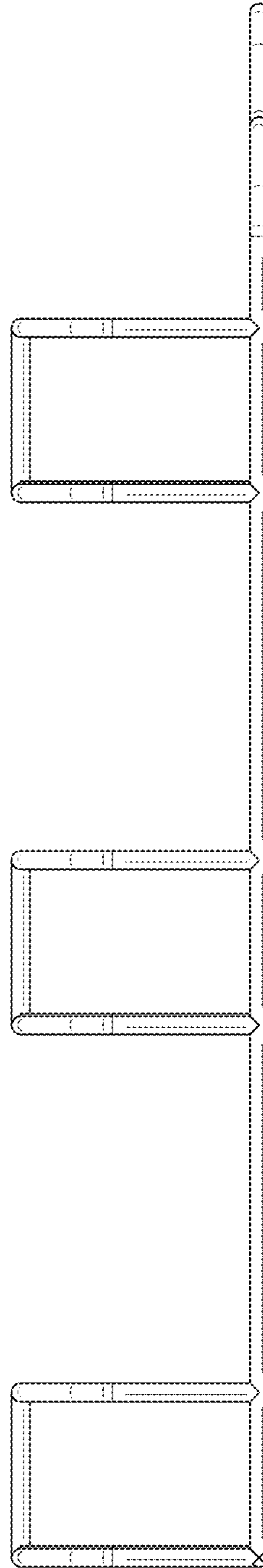


FIG. 5

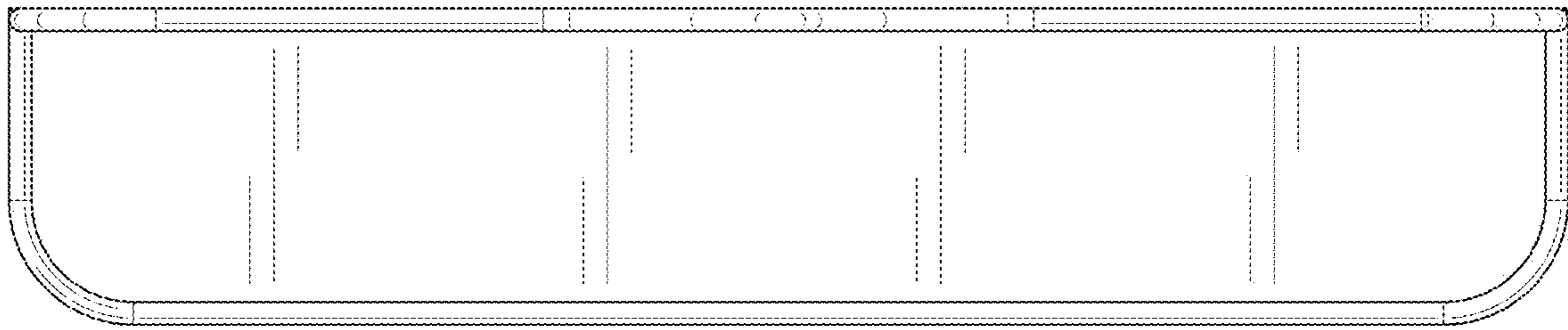


FIG. 6

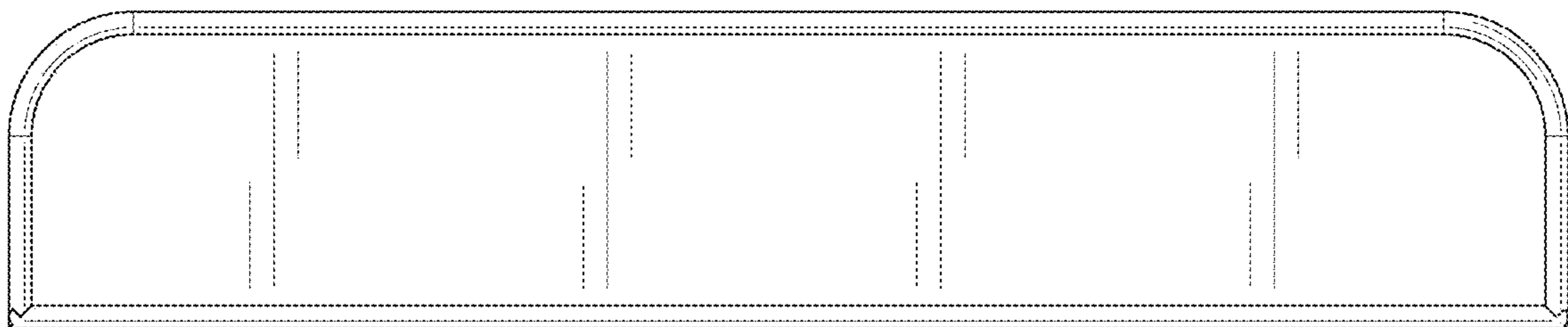


FIG. 7