



US00D880946S

(12) **United States Design Patent** (10) **Patent No.:** **US D880,946 S**
Redjal (45) **Date of Patent:** **** Apr. 14, 2020**

(54) **SET OF STACKING PLATES**
(71) Applicant: **PROMEKO NV**, Kortrijk (BE)
(72) Inventor: **Karim Redjal**, Zwevegem (BE)
(73) Assignee: **PROMEKO NV** (BE)
(**) Term: **15 Years**

(21) Appl. No.: **29/649,869**
(22) Filed: **Jun. 1, 2018**

(30) **Foreign Application Priority Data**

Dec. 1, 2017 (EM) 004531291-0004
Dec. 1, 2017 (EM) 004531291-0005

(51) **LOC (12) Cl.** **07-01**

(52) **U.S. Cl.**
USPC **D7/584**

(58) **Field of Classification Search**
USPC D7/500, 584, 554.2, 505; 220/574;
206/216, 23.83; D9/744
CPC A47G 19/025; A47G 19/02
See application file for complete search history.

(56) **References Cited**

U.S. PATENT DOCUMENTS

2,178,274 A * 10/1939 Ratner A47G 19/02
220/574
3,940,010 A * 2/1976 Sears A47G 19/02
220/23.86
3,989,158 A * 11/1976 Florian A47G 19/2283
220/23.83
5,158,202 A * 10/1992 Kosonen A47G 19/02
220/574
D365,498 S * 12/1995 Lillelund D7/505
5,485,937 A * 1/1996 Tseng A47G 19/02
220/571
D390,752 S * 2/1998 DeCoster D7/505
D473,752 S * 4/2003 Kerr D7/316

(Continued)

Primary Examiner — Cynthia R Underwood
(74) *Attorney, Agent, or Firm* — Fresh IP PLC; Aubrey Y Chen

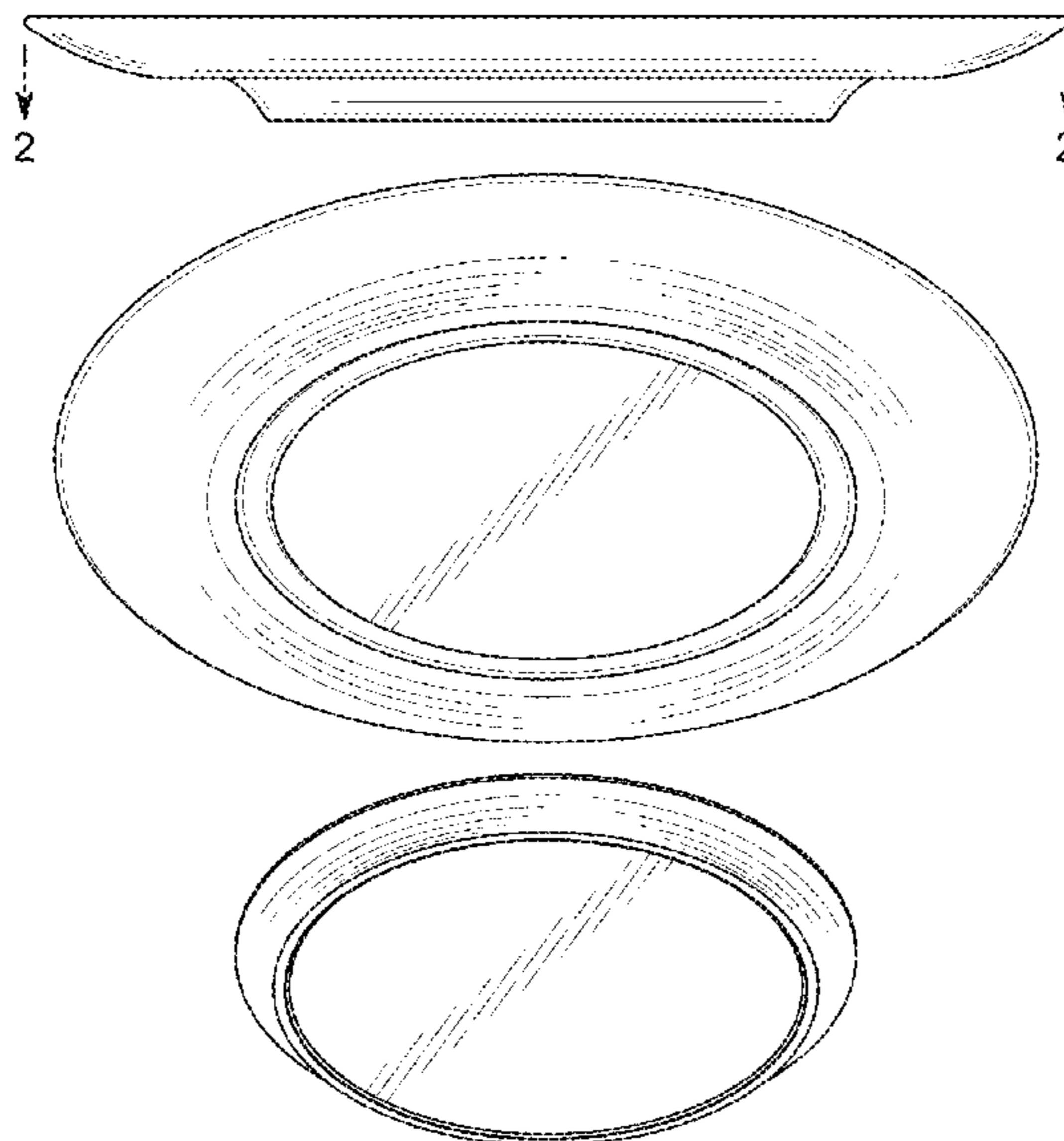
(57) **CLAIM**

The ornamental design for a set of stacking plates, as shown and described.

DESCRIPTION

FIG. 1 is a front view of a set of stacking plates in a stacked configuration, in a first embodiment;
FIG. 2 is a front cross-section view thereof, taken along line 1-1 in FIG. 1;
FIG. 3 is a perspective view thereof, showing the top and front sides;
FIG. 4 is a bottom view thereof;
FIG. 5 is a perspective view thereof, showing the bottom and front sides, with the stacking plates in a separated configuration;
FIG. 6 is a perspective view of the smaller of the two stacking plates shown in FIGS. 1-5, showing the bottom and front sides thereof;
FIG. 7 is a front view of the plate shown in FIG. 6;
FIG. 8 is a front view of stacking plates in a stacked configuration, in a second embodiment;
FIG. 9 is a front cross-section view thereof, taken along line 9-9 in FIG. 8;
FIG. 10 is a bottom view thereof;
FIG. 11 is a perspective view thereof, showing the bottom and front sides, with the stacking plates in a separated configuration;
FIG. 12 is an enlarged perspective view of the smaller of the two stacking plates shown in FIGS. 8-11, showing the top and front sides thereof;
FIG. 13 is a front view of the plate shown in FIG. 12; and, FIG. 14 is an enlarged detail view of the circled portion of the plate shown in FIG. 13.

1 Claim, 14 Drawing Sheets



(56)

References Cited

U.S. PATENT DOCUMENTS

D512,604	S *	12/2005	Panepinto	D7/505
D656,793	S *	4/2012	Mastroianni	D7/587
D692,272	S *	10/2013	Montgomery	D7/396.1
D732,891	S *	6/2015	Bonilla	D30/129
D796,269	S *	9/2017	Grepper	D7/586
D816,417	S *	5/2018	Hutton	D7/565
10,311,748	B2 *	6/2019	Highet	G09B 19/0092
10,325,515	B2 *	6/2019	Highet	A47G 19/025
2009/0159069	A1 *	6/2009	Choi	A47G 19/027
					126/263.01

* cited by examiner

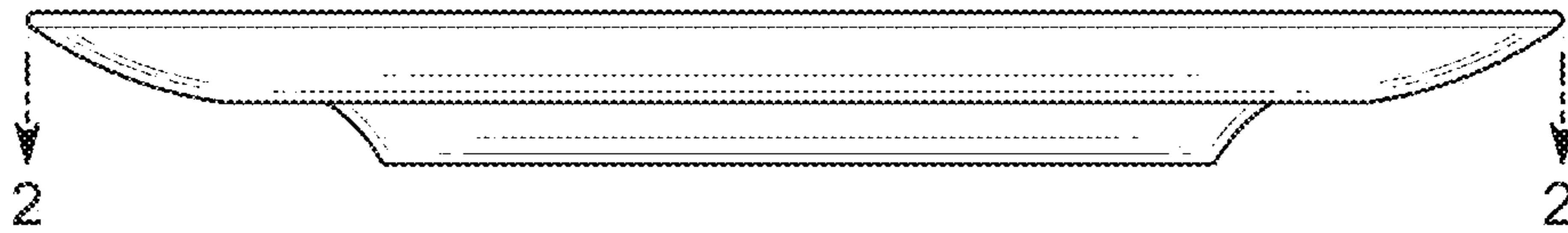


FIG. 1

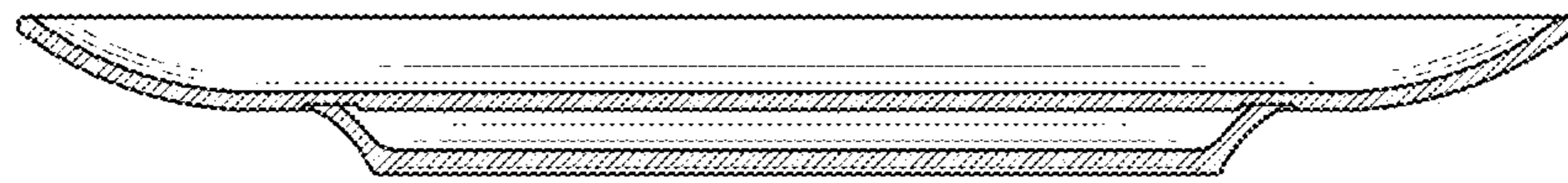


FIG. 2

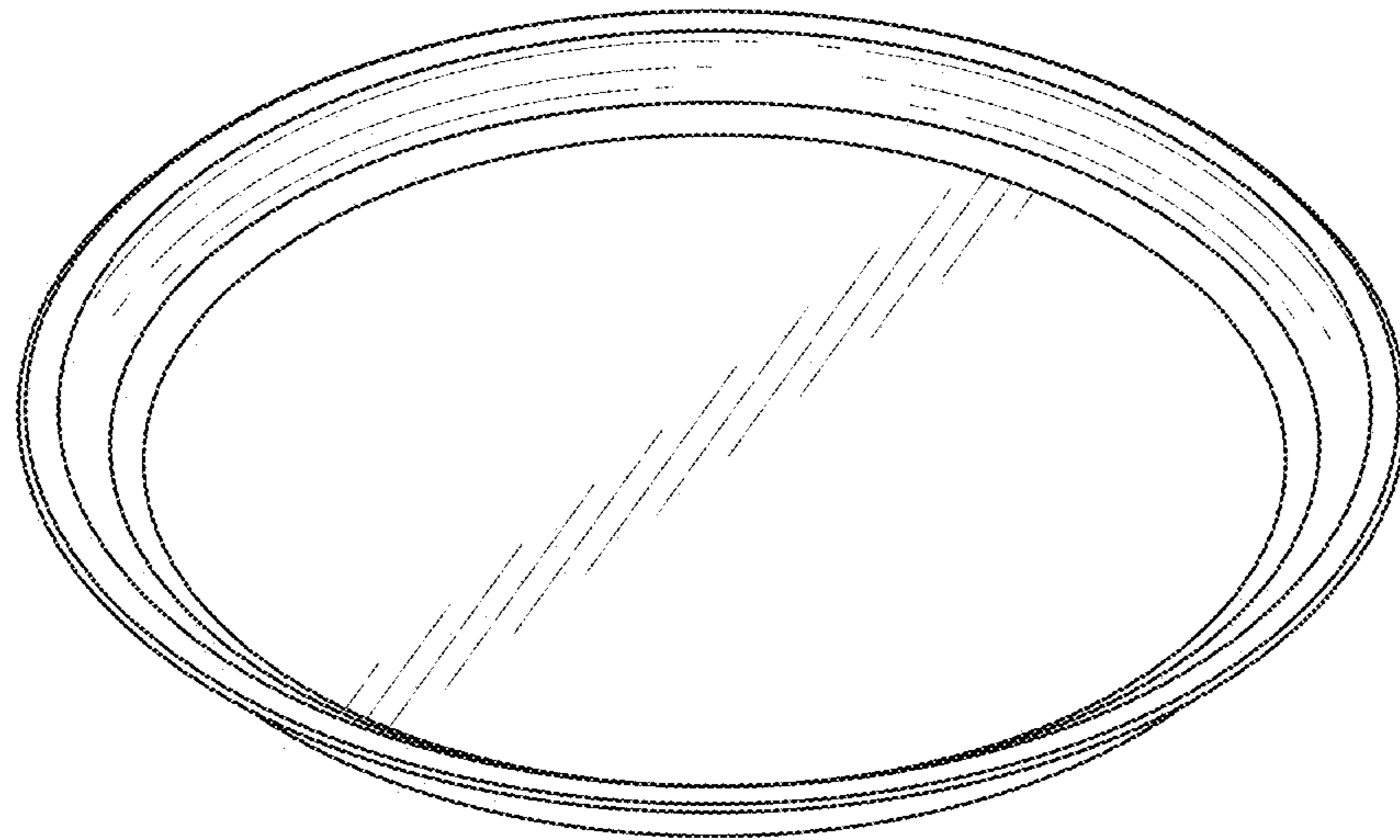


FIG. 3

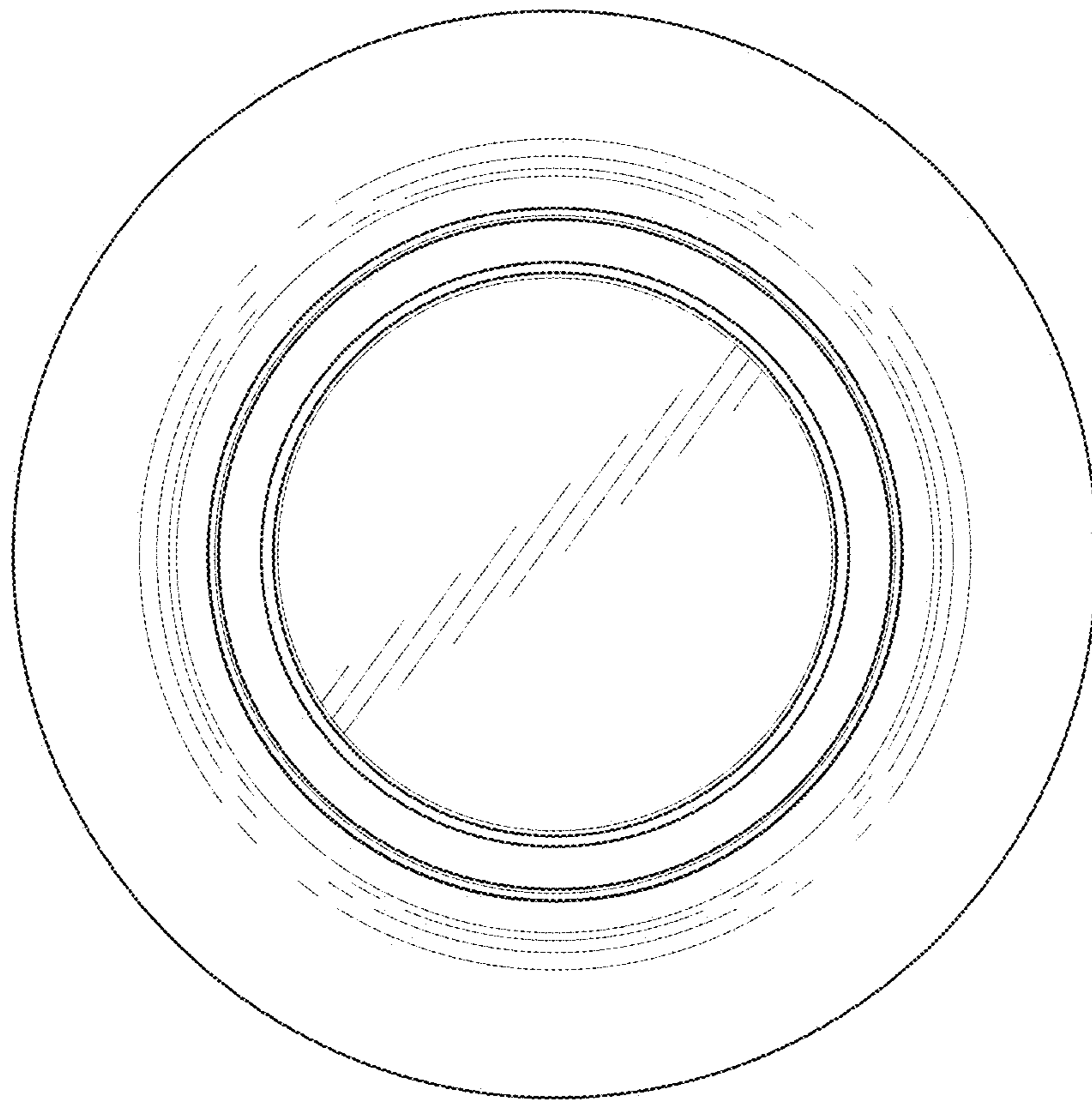


FIG. 4

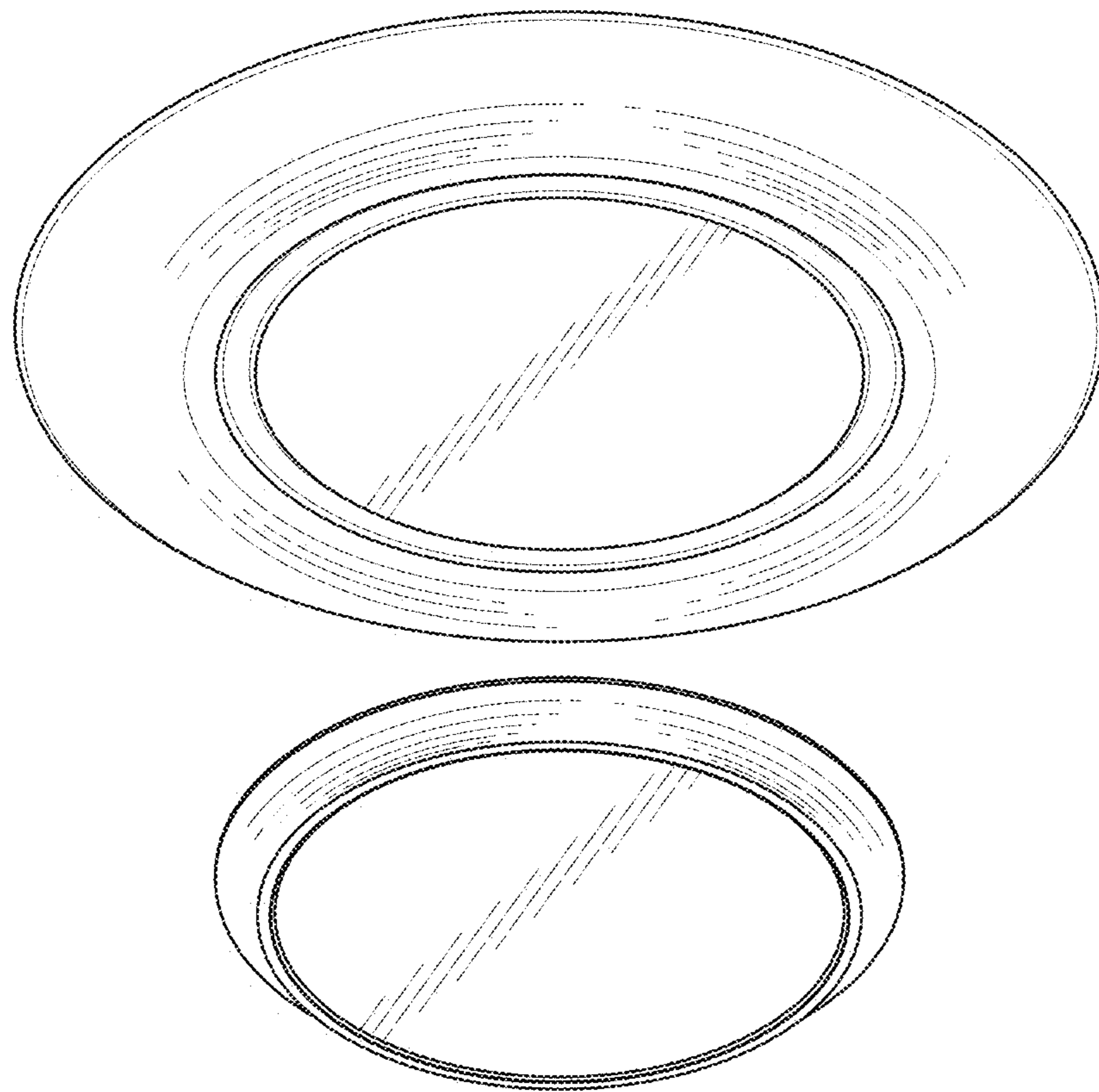


FIG. 5

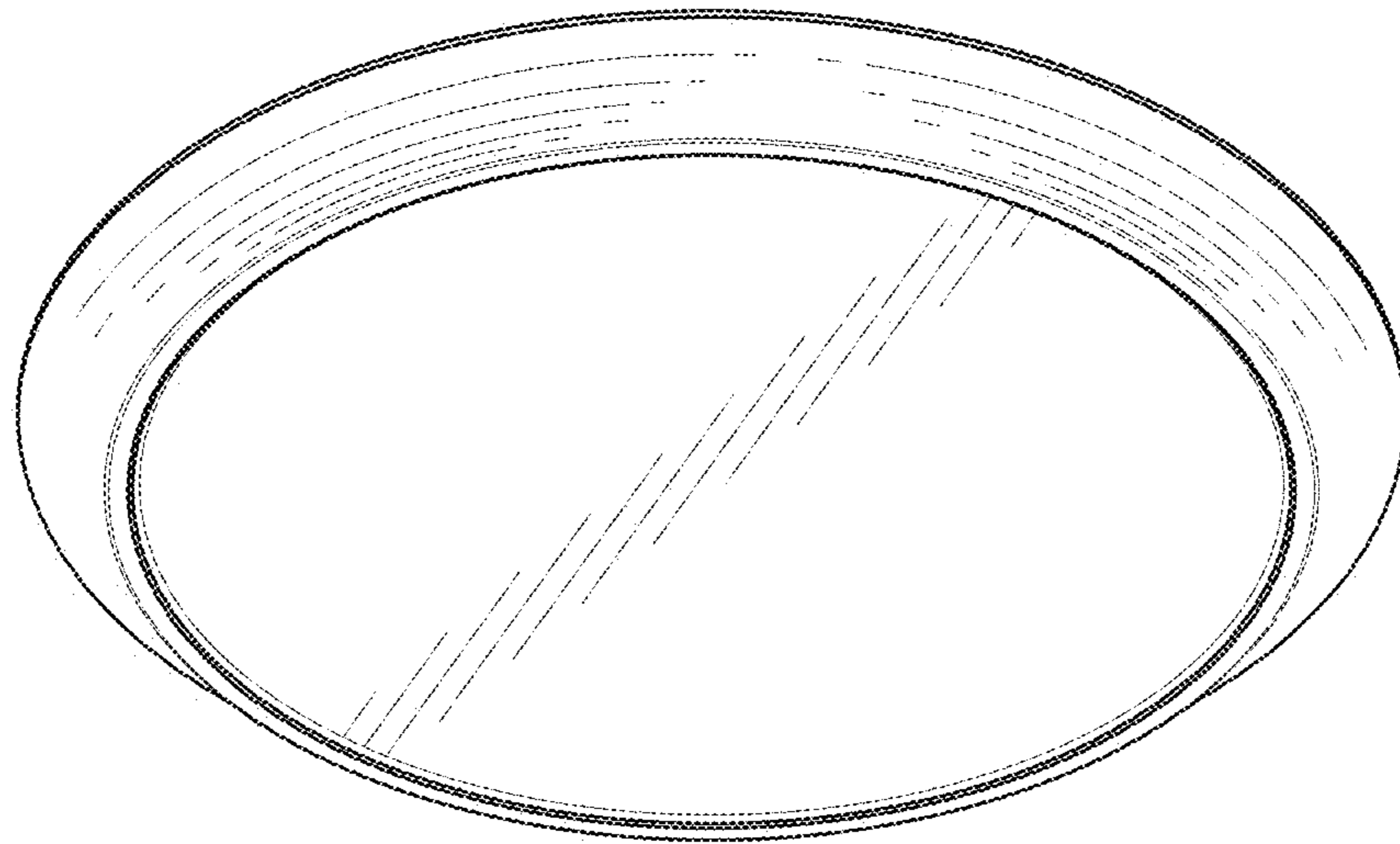


FIG. 6

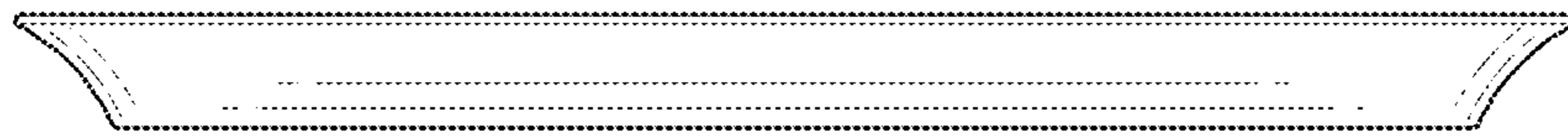


FIG. 7

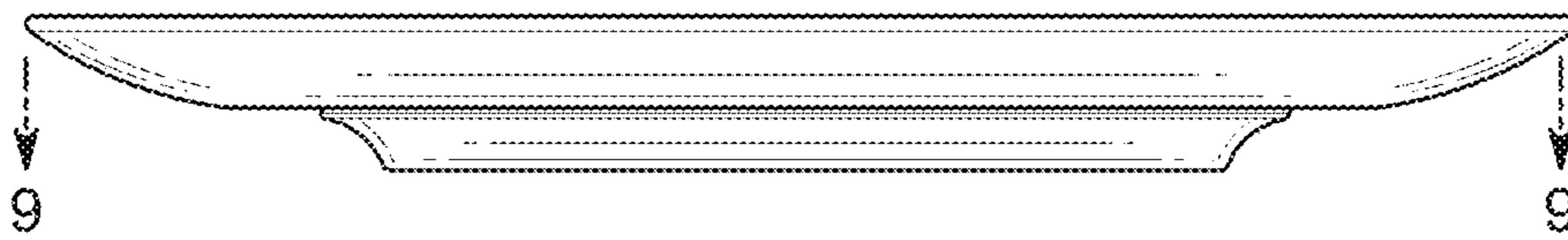


FIG. 8

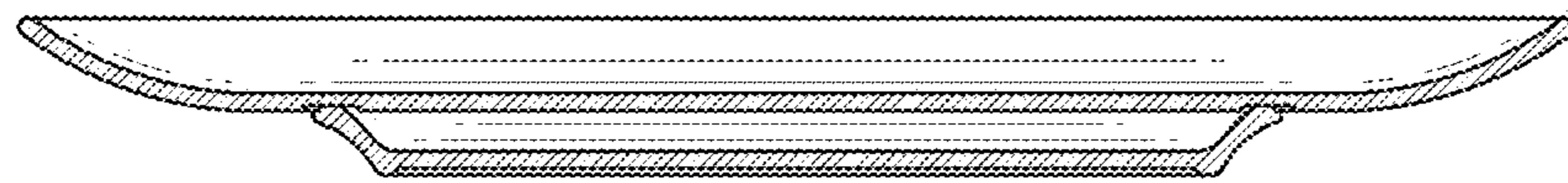


FIG. 9

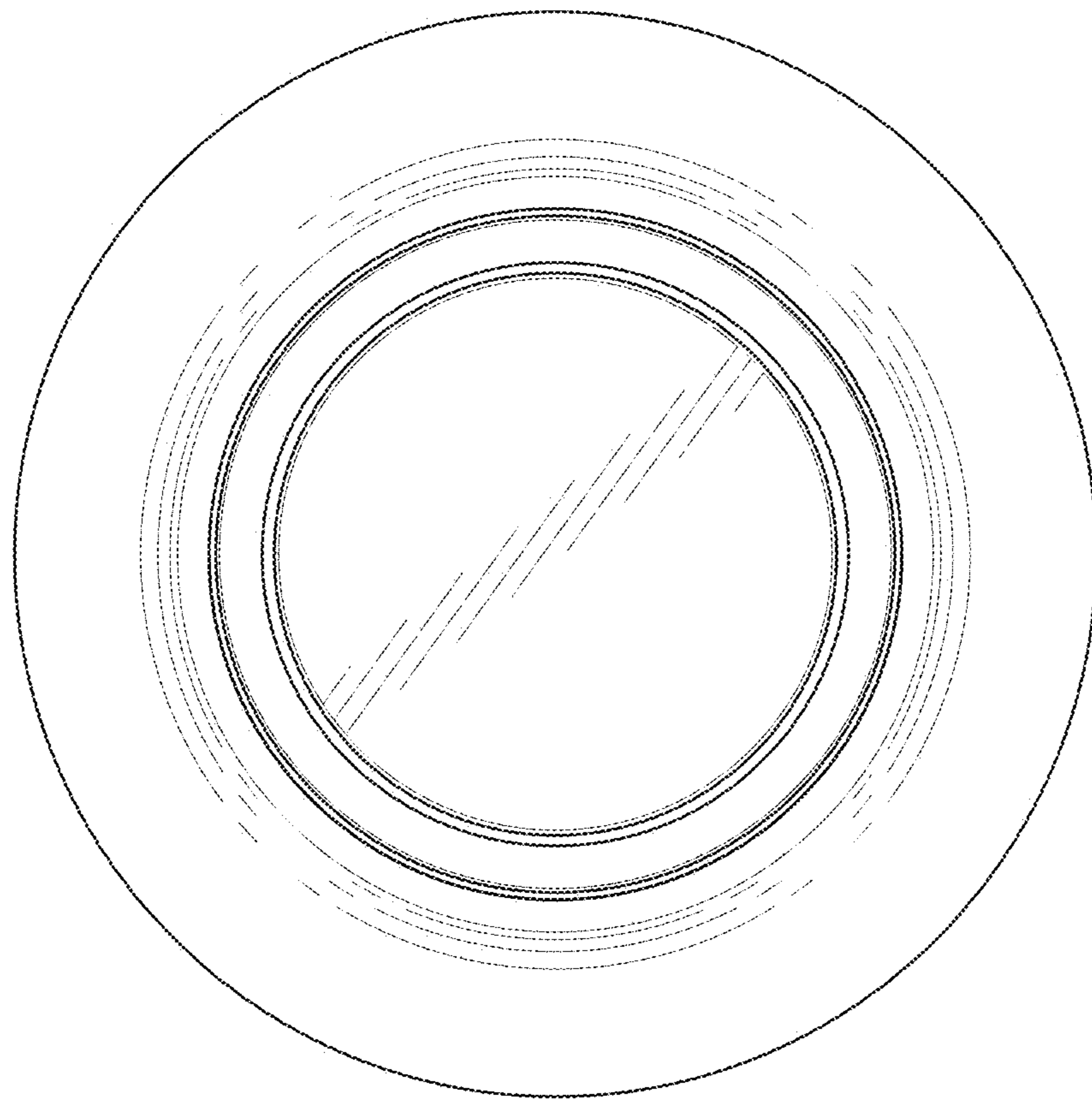


FIG. 10

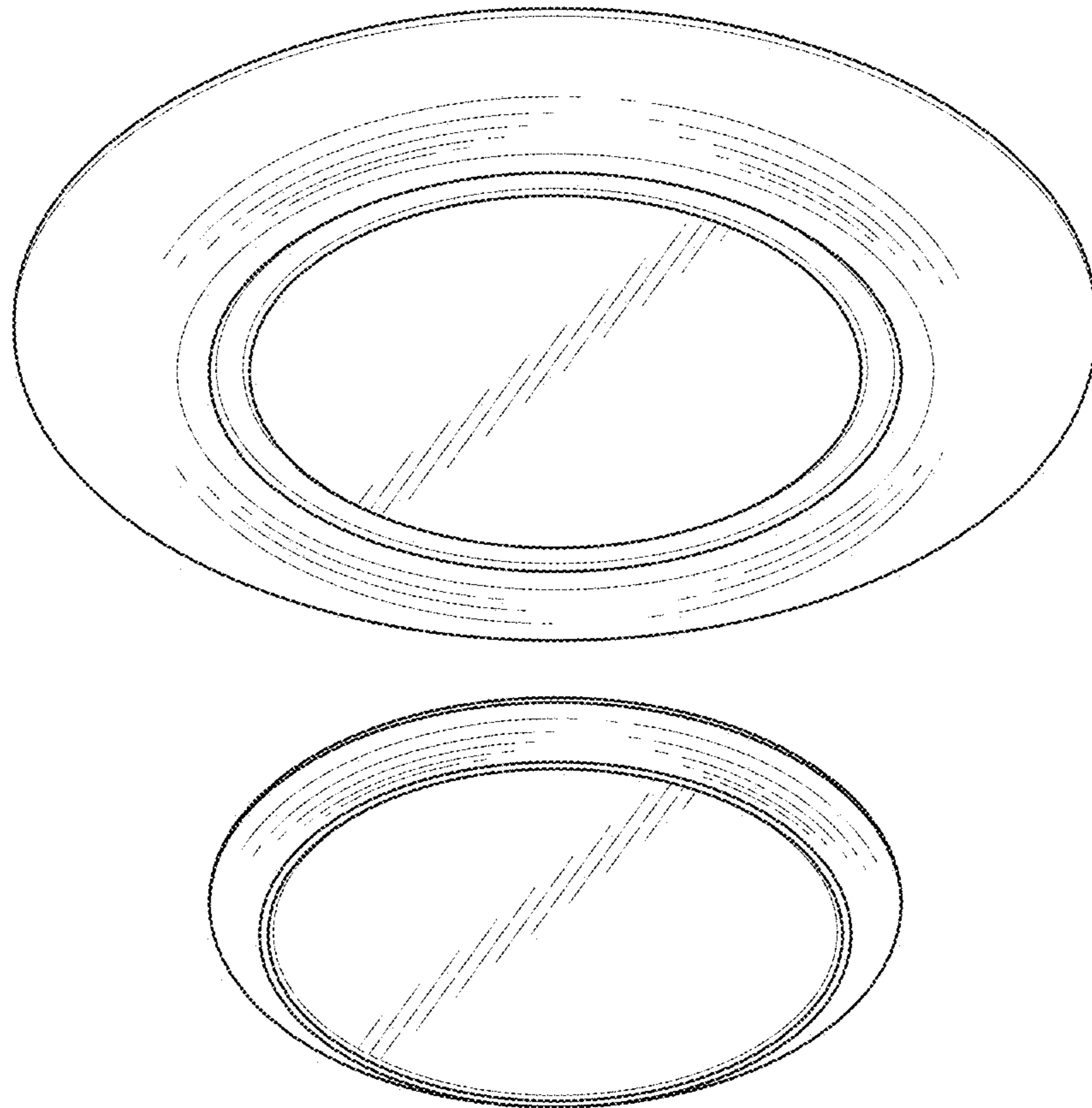


FIG. 11

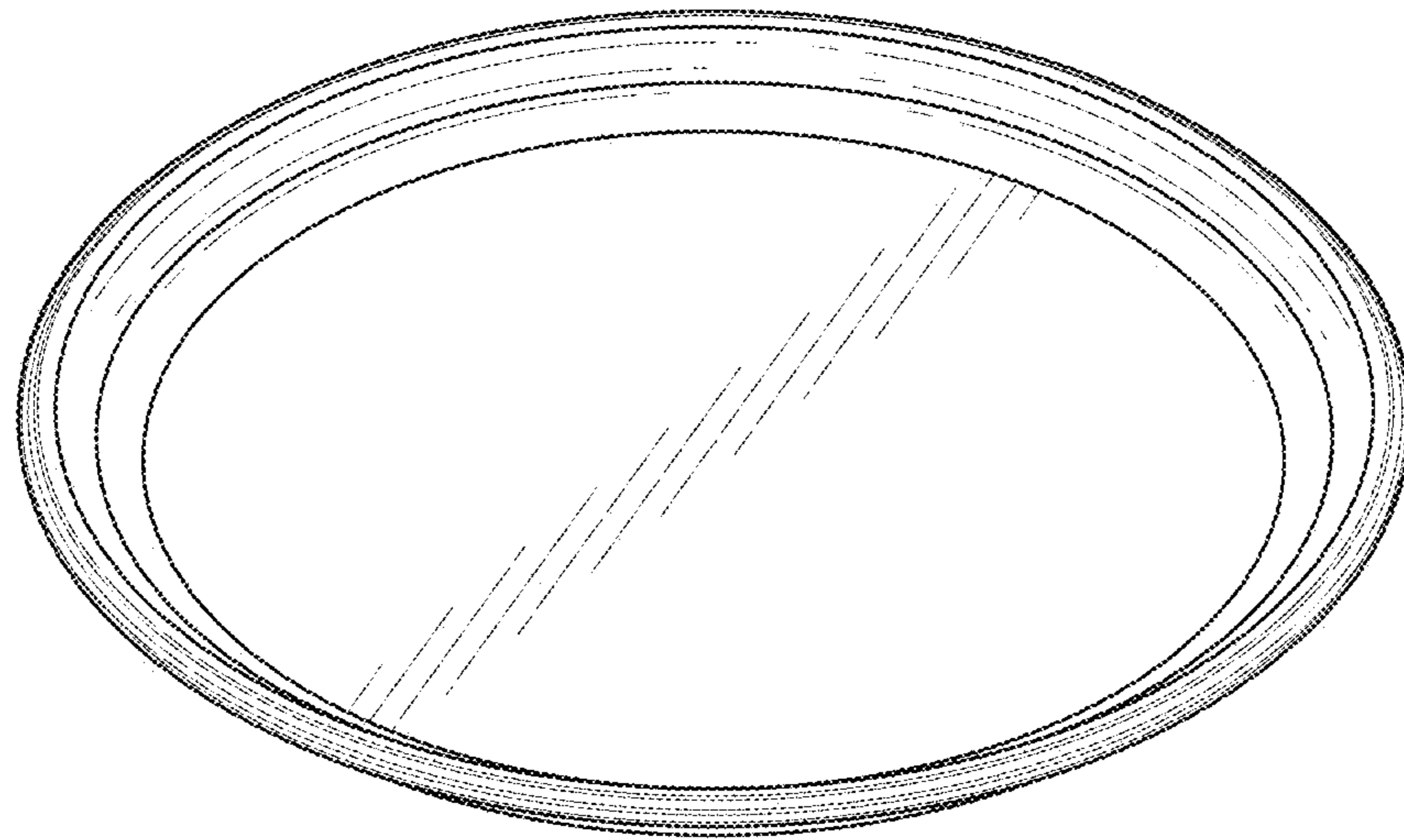


FIG. 12

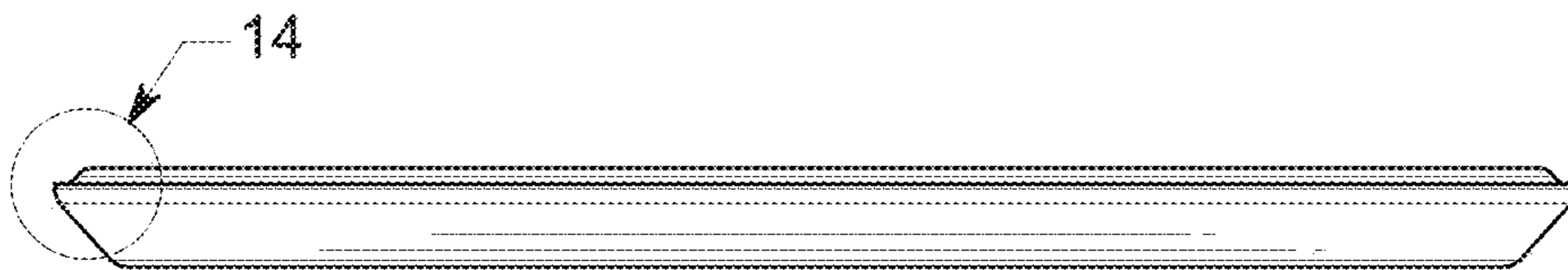


FIG. 13

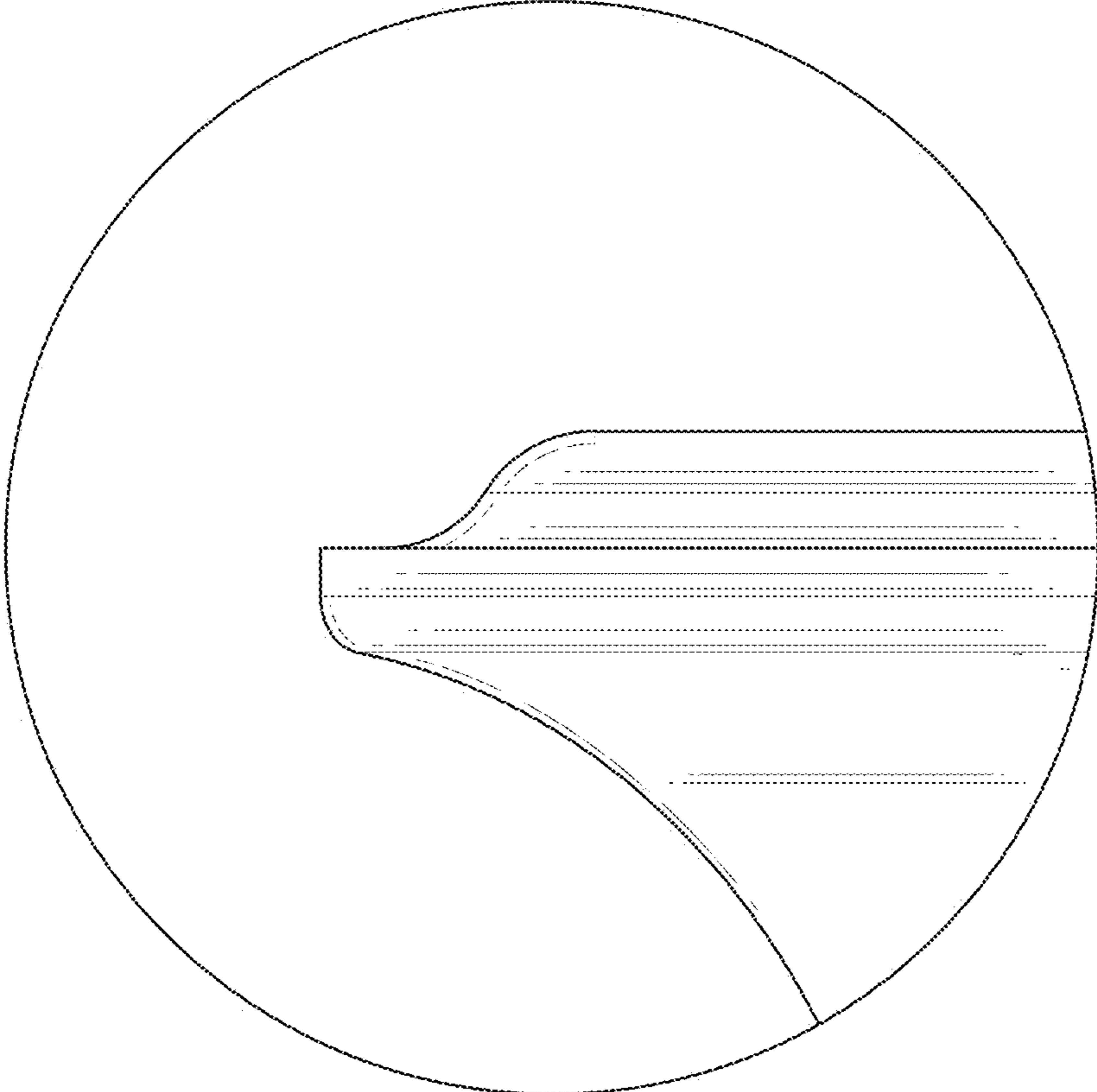


FIG. 14