



US00D880944S

(12) **United States Design Patent**  
**Lee**

(10) **Patent No.:** **US D880,944 S**  
(45) **Date of Patent:** **\*\* Apr. 14, 2020**

- (54) **CUP**
- (71) Applicant: **HYDY Inc.**, Los Angeles, CA (US)
- (72) Inventor: **Chen-Yu Lee**, Los Angeles, CA (US)
- (73) Assignee: **HYDY INC.**, Los Angeles, CA (US)
- (\*\*) Term: **15 Years**
- (21) Appl. No.: **29/659,952**
- (22) Filed: **Aug. 14, 2018**

- D789,155 S \* 6/2017 Triato ..... D7/624.2
- D824,214 S \* 7/2018 Albers ..... D7/523
- D834,375 S \* 11/2018 Garipalli ..... A47G 19/2205  
D7/528
- D847,569 S \* 5/2019 Toca ..... D7/507
- D848,791 S \* 5/2019 Khayman ..... D7/509
- D859,156 S \* 9/2019 Handley ..... D9/500
- 2006/0249518 A1 \* 11/2006 Festa ..... A47G 19/2205  
220/669
- 2011/0114652 A1 \* 5/2011 Lown ..... A47G 19/2205  
220/669
- 2014/0353309 A1 \* 12/2014 Albers ..... A47G 19/2205  
220/4.07
- 2016/0073811 A1 \* 3/2016 Bell ..... A47G 19/2205  
206/459.5

(30) **Foreign Application Priority Data**

May 3, 2018 (TW) ..... 107302483

(51) **LOC (12) Cl.** ..... **07-01**

(52) **U.S. Cl.**  
USPC ..... **D7/532; D7/509**

(58) **Field of Classification Search**  
USPC ..... D7/507, 509, 510, 511, 512, 523, 532,  
D7/529, 531, 533, 535, 536, 608, 524,  
D7/525; D9/503, 504, 552, 435, 447;  
D11/143, 144, 152, 153; D24/197  
CPC ..... A47J 41/0077; A47J 41/02; A47G 19/22;  
A47G 19/2205; A47G 2019/2277; A47G  
19/2288; A45F 3/20; A45F 2003/205;  
B65D 43/02

See application file for complete search history.

(56) **References Cited**

**U.S. PATENT DOCUMENTS**

- 3,781,164 A \* 12/1973 McCaffery ..... F21V 35/00  
431/291
- D550,033 S \* 9/2007 Bodum ..... D7/509
- D550,034 S \* 9/2007 Bodum ..... D7/509
- D578,827 S \* 10/2008 Barducci ..... D7/507
- D700,806 S \* 3/2014 Joy ..... D7/507
- D774,828 S \* 12/2016 Miller ..... D7/523

**OTHER PUBLICATIONS**

[https://www.amazon.com/gp/product/B07C76FP9L?pf\\_rd\\_p=183f5289-9dc0-416f-942e-e8f213ef368b&pf\\_rd\\_r=4VQNJAJNFKVQYSGAWD4F](https://www.amazon.com/gp/product/B07C76FP9L?pf_rd_p=183f5289-9dc0-416f-942e-e8f213ef368b&pf_rd_r=4VQNJAJNFKVQYSGAWD4F) (Year: 2018).\*

\* cited by examiner

*Primary Examiner* — Jae Liang

(74) *Attorney, Agent, or Firm* — Muncy, Geissler, Olds & Lowe, PC

(57) **CLAIM**

The ornamental design for a cup, as shown and described.

**DESCRIPTION**

FIG. 1 is a perspective view showing the front, right side and top of my new design for a cup.

FIG. 2 is a front elevational view thereof;

FIG. 3 is a rear elevational view thereof;

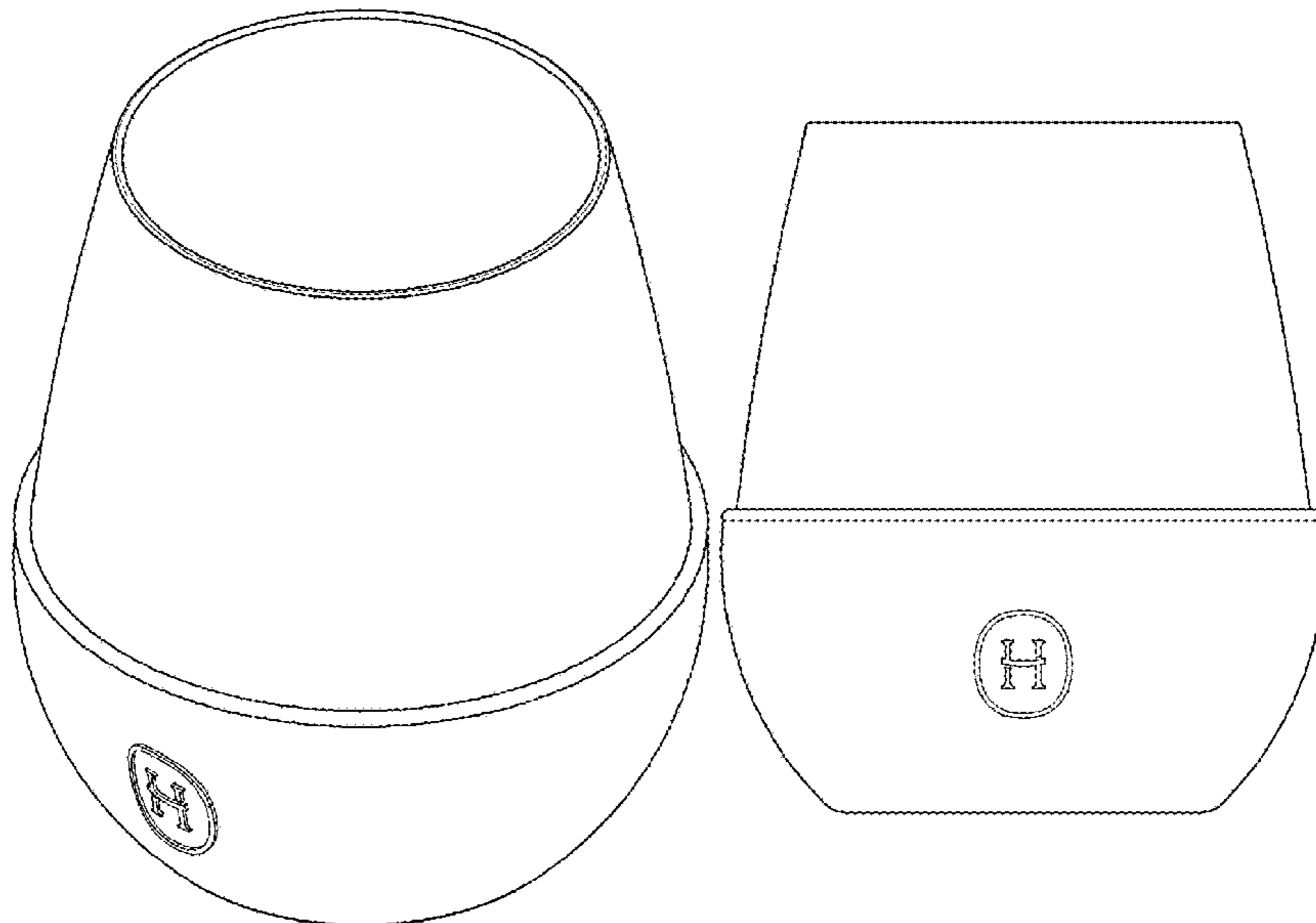
FIG. 4 is a left side view thereof;

FIG. 5 is a right side view thereof;

FIG. 6 is a top plan view thereof; and,

FIG. 7 is a bottom plan view thereof.

**1 Claim, 4 Drawing Sheets**



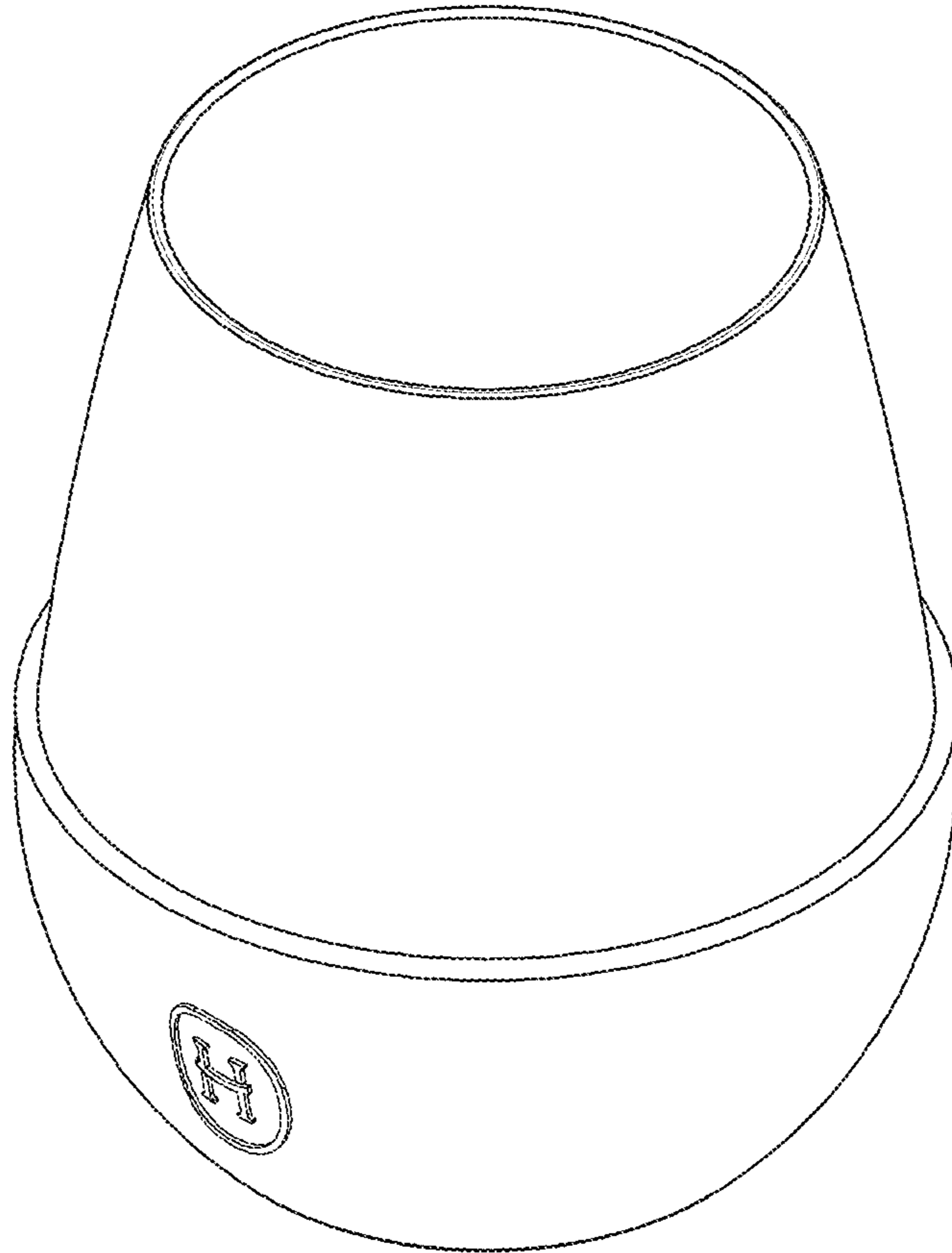


Fig. 1

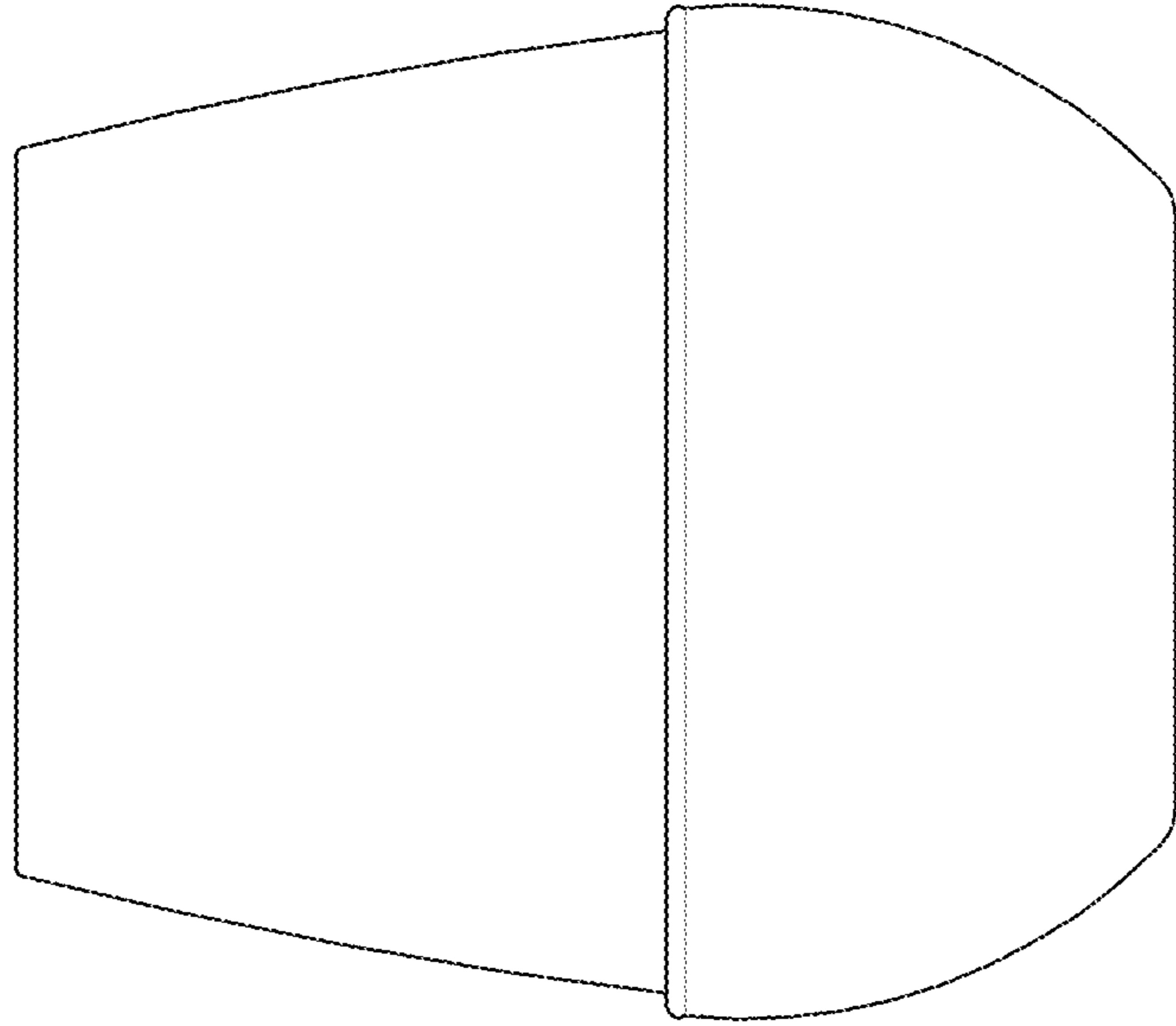


Fig. 3

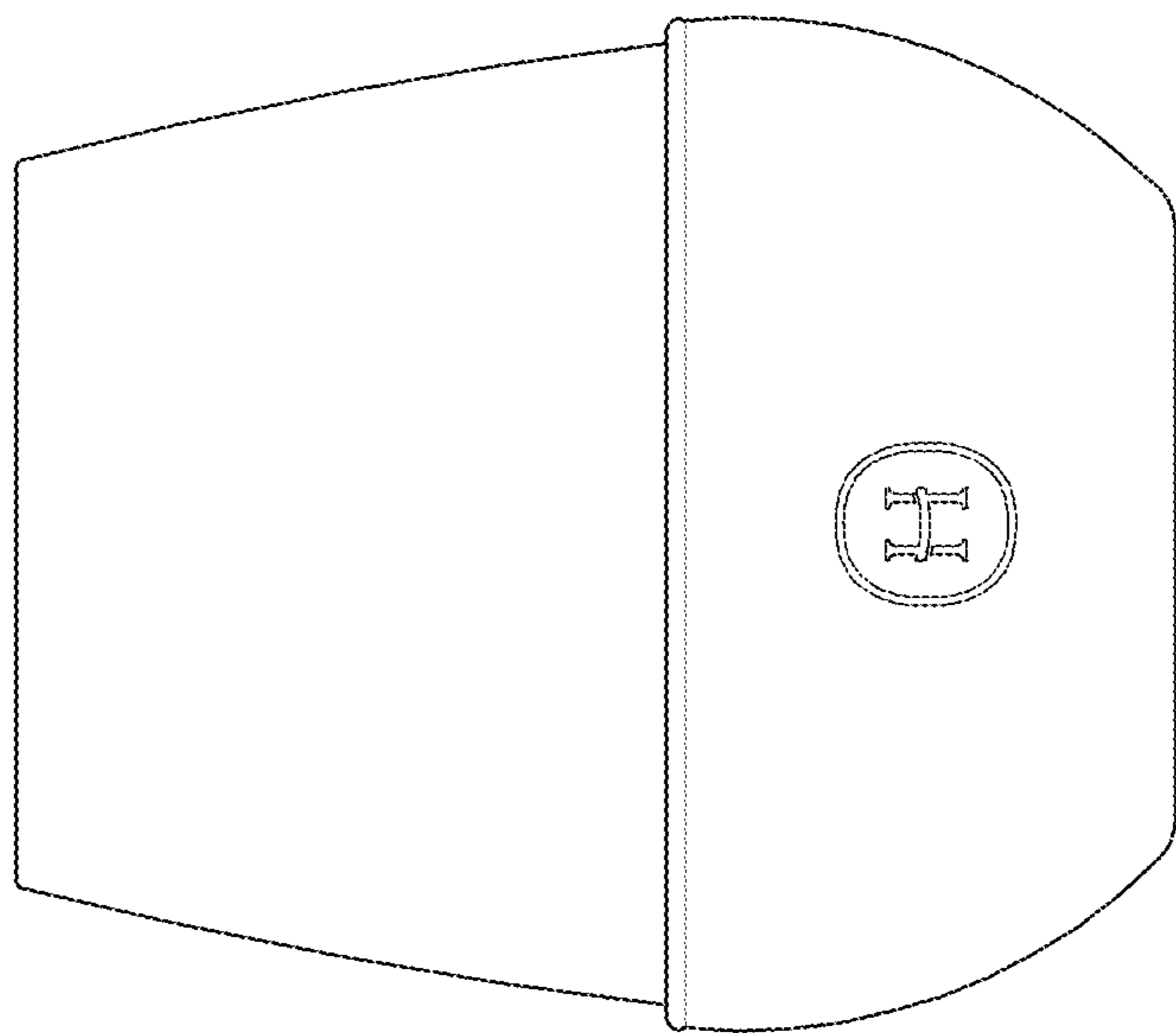


Fig. 2

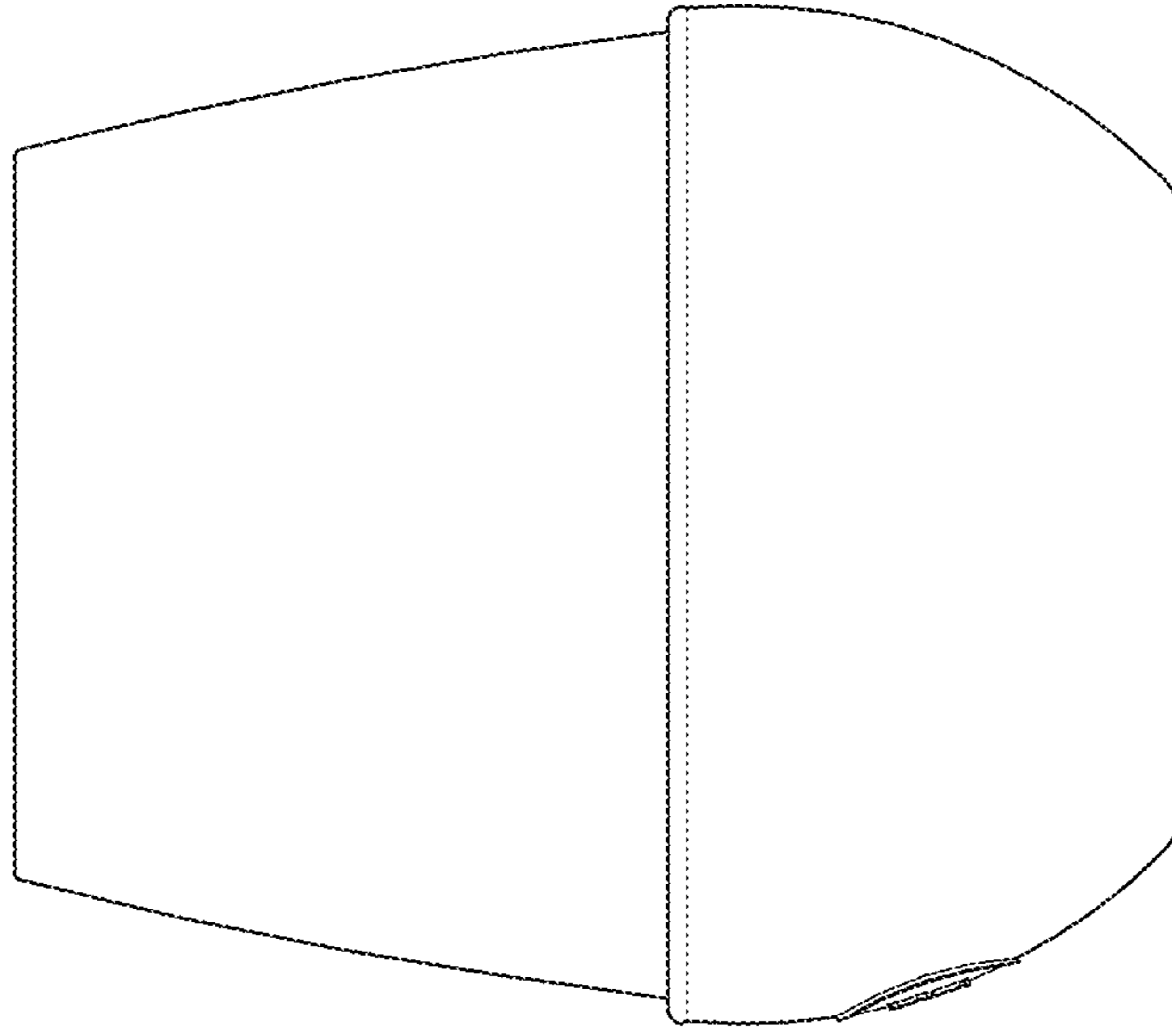


Fig. 5

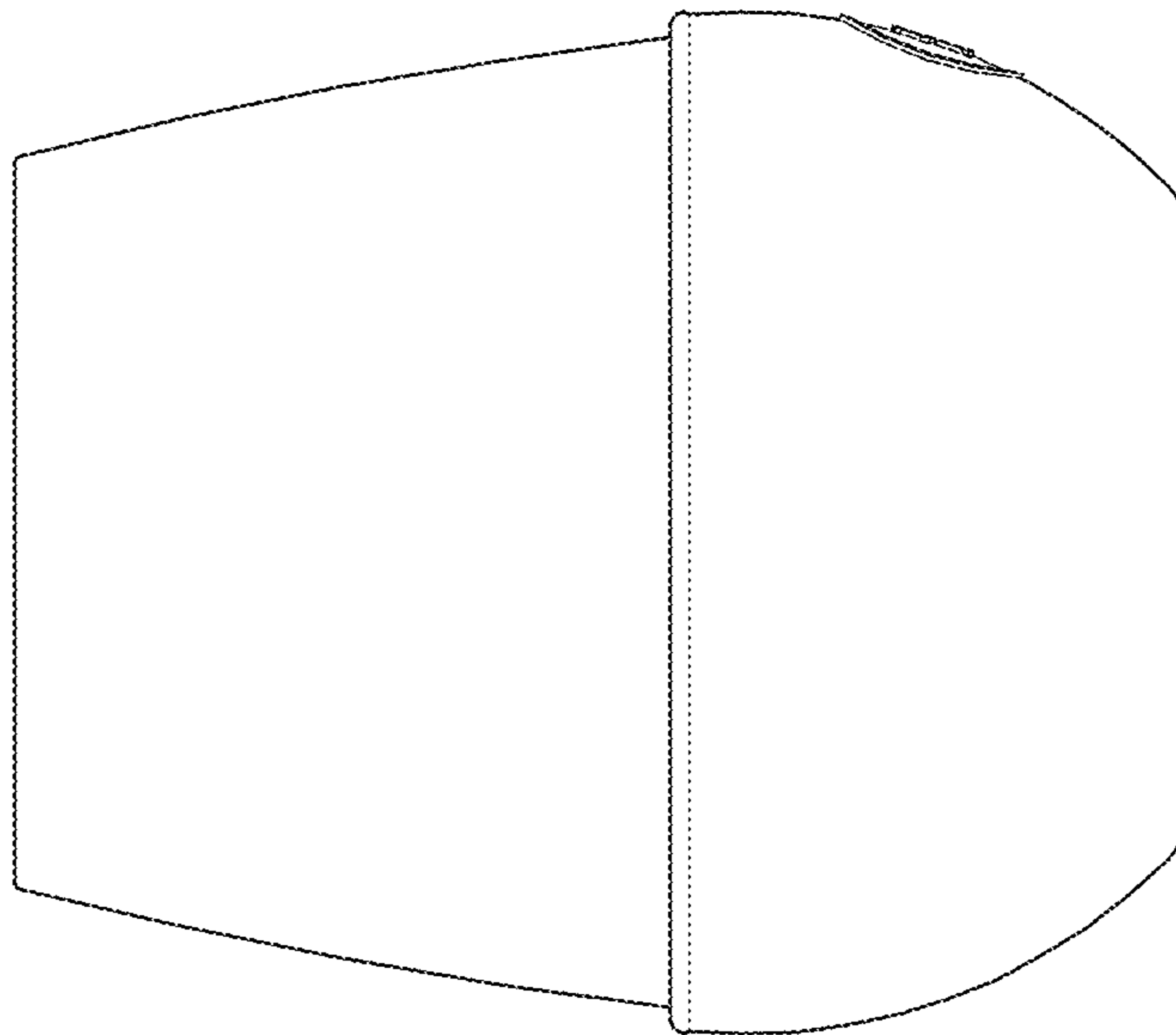


Fig. 4

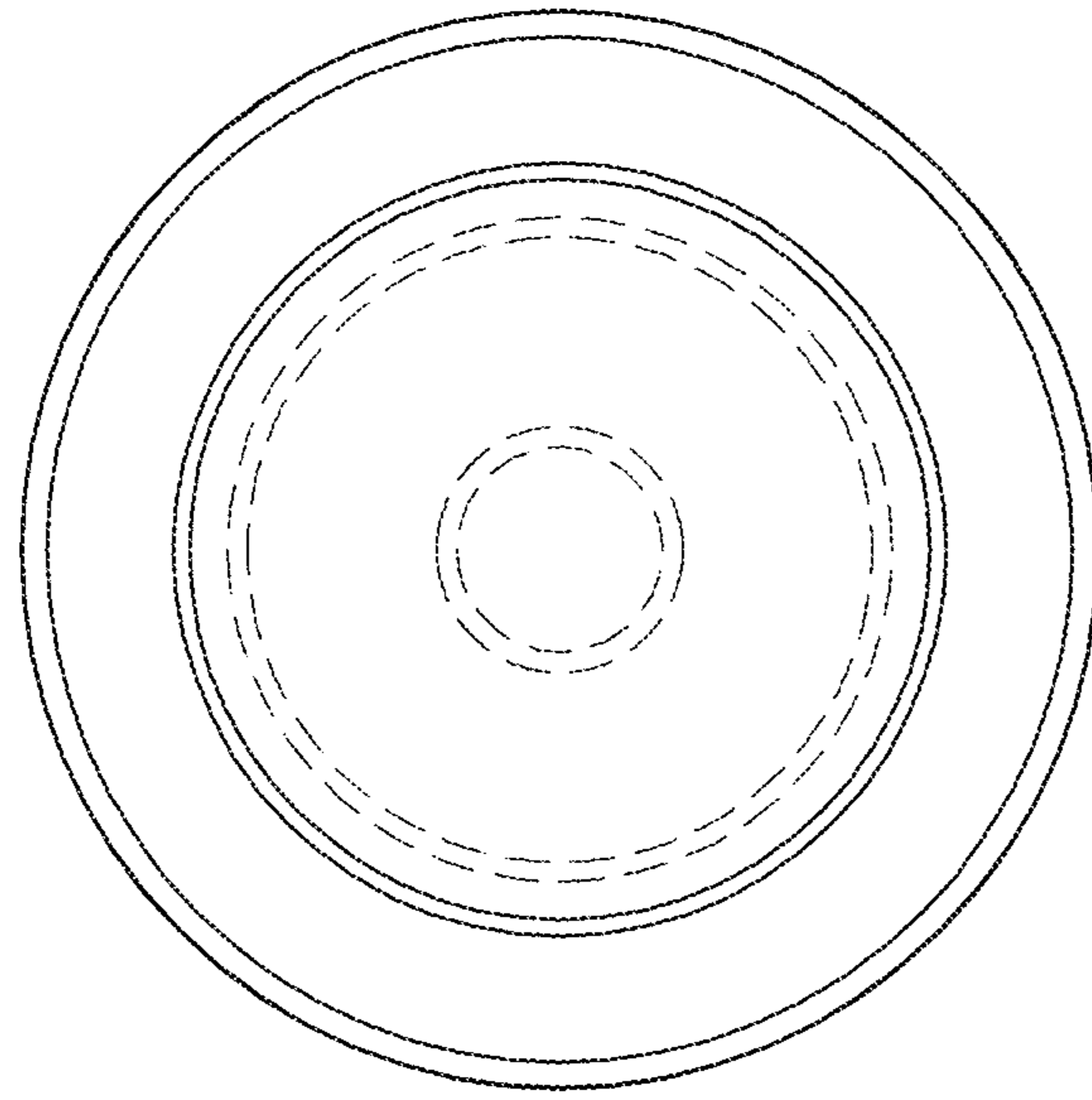


Fig. 6

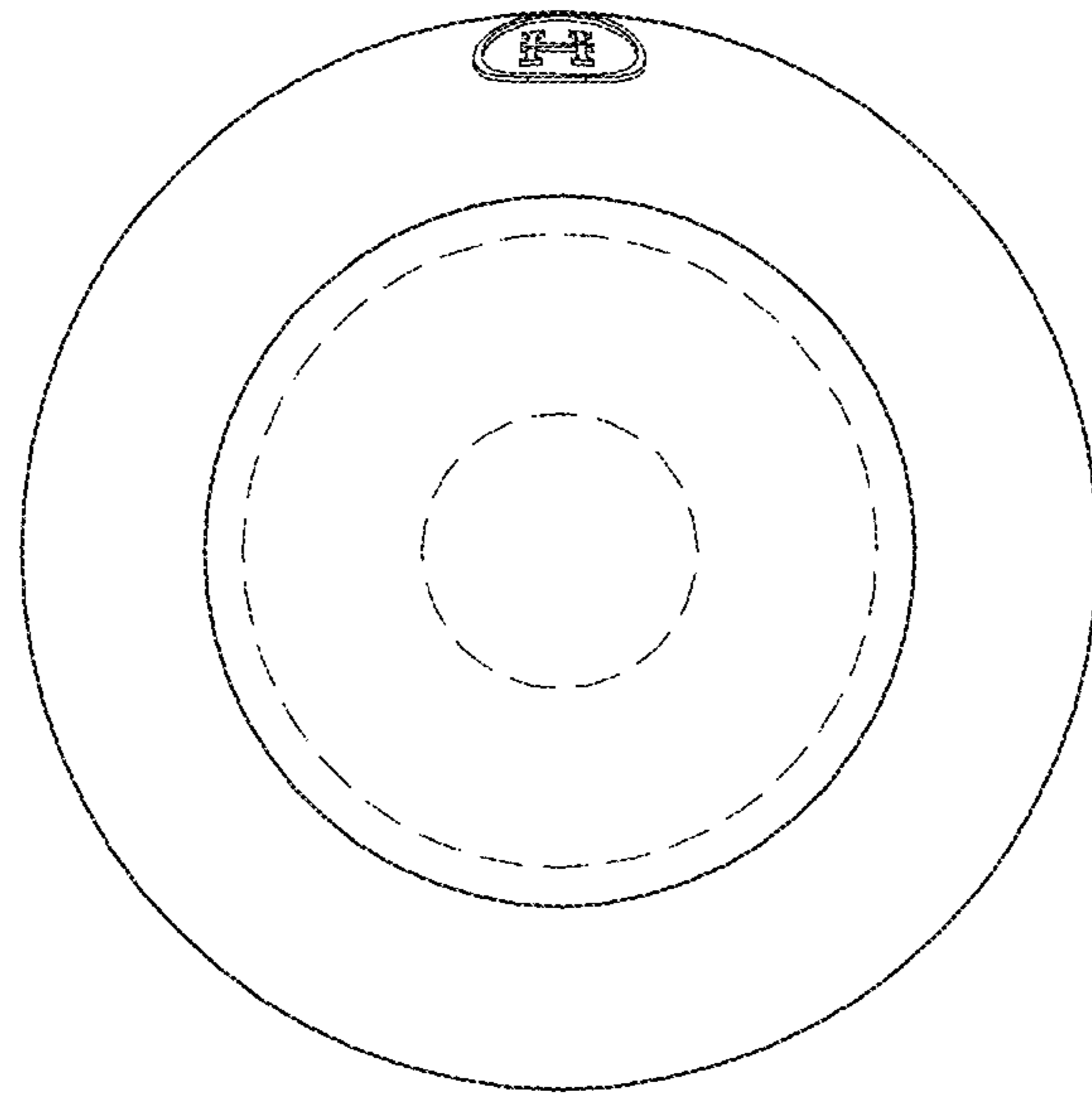


Fig. 7