



US00D880942S

(12) **United States Design Patent** (10) **Patent No.:** **US D880,942 S**  
**Silsby** (45) **Date of Patent:** **\*\* Apr. 14, 2020**

(54) **BEVERAGE CONTAINER**

(71) Applicant: **Pacific Market International, LLC,**  
Seattle, WA (US)

(72) Inventor: **Jacob D. Silsby,** Seattle, WA (US)

(73) Assignee: **Pacific Market International, LLC,**  
Seattle, WA (US)

(\*\*) Term: **15 Years**

(21) Appl. No.: **29/684,527**

(22) Filed: **Mar. 21, 2019**

**Related U.S. Application Data**

(62) Division of application No. 29/640,296, filed on Mar. 13, 2018, now Pat. No. Des. 850,209.

(51) **LOC (12) Cl.** ..... **07-01**

(52) **U.S. Cl.**  
USPC ..... **D7/510**

(58) **Field of Classification Search**  
USPC ..... D7/510, 511, 608, 300.1, 591, 392.1,  
D7/396.2, 529, 533-536; D9/503, 504,  
D9/434, 763, 764, 772, 516  
CPC ..... A47G 19/22; B65D 41/04; B65D 43/02;  
B65D 47/08

See application file for complete search history.

(56) **References Cited**

**U.S. PATENT DOCUMENTS**

4,444,324 A 4/1984 Grenell  
D289,937 S 5/1987 Cleveland, Jr.  
5,094,363 A 3/1992 Monahan et al.  
D372,866 S \* 8/1996 Ahern, Jr. .... D7/392.1  
D518,380 S 4/2006 Moran  
D556,576 S 12/2007 Webb  
D588,936 S 3/2009 Ioannides et al.  
D592,012 S 5/2009 Carreno  
D618,508 S 6/2010 George et al.

D625,951 S 10/2010 Baek  
D628,906 S 12/2010 Fedusa et al.  
D649,402 S 11/2011 Gilbert et al.  
D651,847 S 1/2012 Gilbert  
D658,007 S 4/2012 George  
D686,040 S 7/2013 Lane  
D687,301 S 8/2013 Topinka et al.  
D705,058 S 5/2014 Kim  
8,727,176 B2 5/2014 El-Saden et al.  
8,844,762 B2 9/2014 Chiou et al.

(Continued)

**OTHER PUBLICATIONS**

Classic Series One Hand Vacuum Mug, 1 page, Stanley product publicly disclosed prior to Mar. 13, 2018.

(Continued)

*Primary Examiner* — Derrick E Holland

*Assistant Examiner* — Andrew Kerr

(74) *Attorney, Agent, or Firm* — Davis Wright Tremaine LLP; George C. Rondeau, Jr.

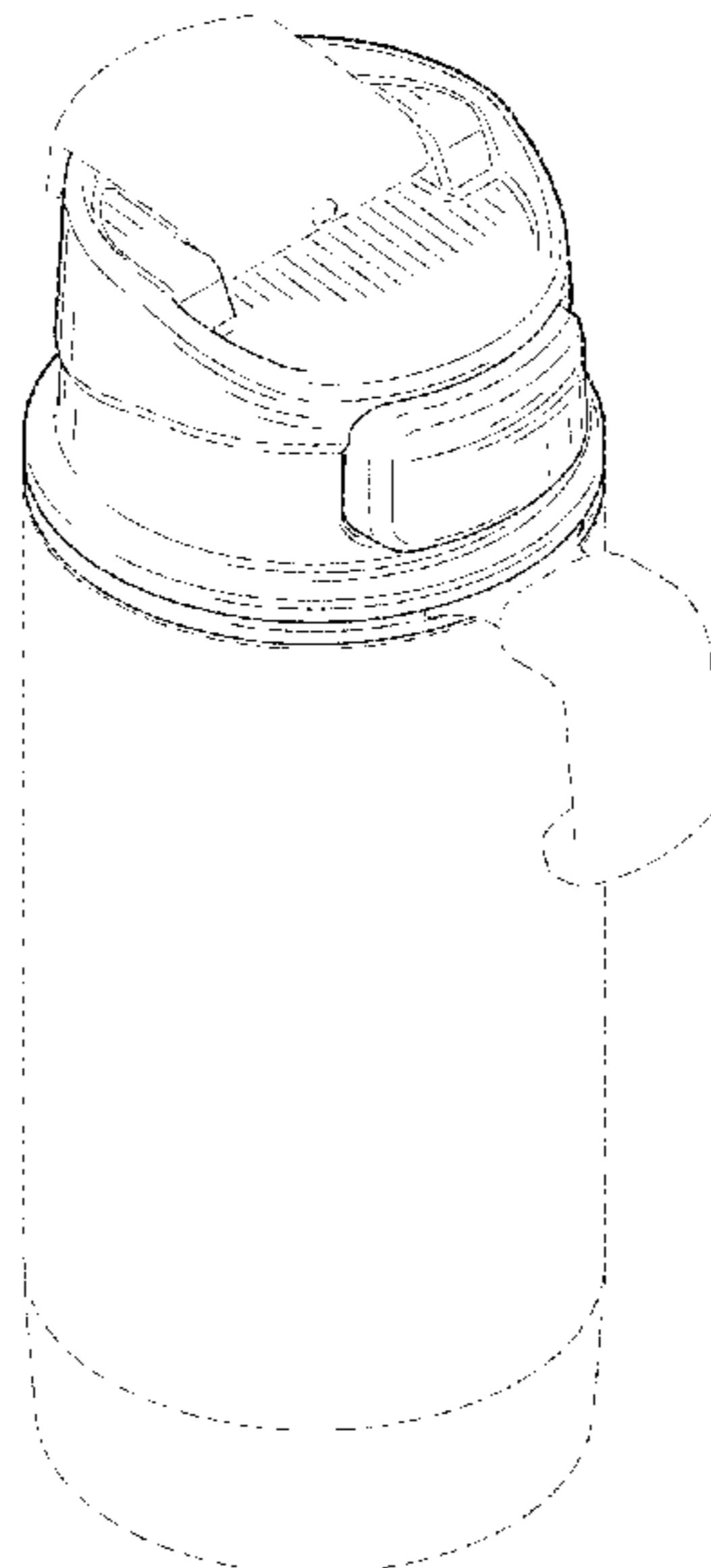
(57) **CLAIM**

The ornamental design for a beverage container, as shown and described.

**DESCRIPTION**

FIG. 1 is a top perspective view of a beverage container, showing my new design;  
FIG. 2 is a bottom perspective view thereof;  
FIG. 3 is a left side elevation view thereof;  
FIG. 4 is a front elevation view thereof;  
FIG. 5 is a rear elevation view thereof;  
FIG. 6 is a right side elevation side view thereof;  
FIG. 7 is a top plan view thereof; and,  
FIG. 8 is a bottom plan view thereof.  
The broken lines in the drawings depict portions of the beverage container that form no part of the claimed design.

**1 Claim, 7 Drawing Sheets**



(56)

**References Cited**

U.S. PATENT DOCUMENTS

D721,540	S	1/2015	Grcic	
D741,657	S	10/2015	George	
D742,699	S	11/2015	Boroski	
D754,485	S	4/2016	Lapsker	
9,462,904	B2	10/2016	Coon et al.	
D779,273	S	2/2017	Lee et al.	
D784,763	S	4/2017	Oshana	
D789,737	S *	6/2017	Eyal .....	D7/300.1
D808,219	S	1/2018	Heiberger et al.	
D814,297	S *	4/2018	Silsby .....	D9/440
D820,091	S	6/2018	Phillips et al.	
10,023,366	B2 *	7/2018	Gilbert .....	A47G 19/2272
D836,395	S *	12/2018	Seiders .....	D7/510
D836,974	S *	1/2019	Seiders .....	D7/392.1
D842,646	S *	3/2019	Silsby .....	D7/396.2
D851,445	S *	6/2019	Silsby .....	D7/392.1
2008/0272134	A1	11/2008	Rohe	
2012/0305559	A1	12/2012	Steininger	
2014/0263476	A1	9/2014	Blain et al.	
2017/0253392	A1 *	9/2017	Bann .....	B65D 47/0895
2017/0253396	A1 *	9/2017	Coon .....	B65D 47/0866
2017/0320643	A1 *	11/2017	Green .....	A47G 19/2272
2017/0327282	A1	11/2017	Choltco-Devlin	

OTHER PUBLICATIONS

Mountain Series One Hand Vacuum Mug, 1 page, Stanley product publicly disclosed prior to Mar. 13, 2018.

Silsby, Jacob D., "Beverage Container," U.S. Appl. No. 29/602,504, filed May 1, 2017, 74 pages.

\* cited by examiner

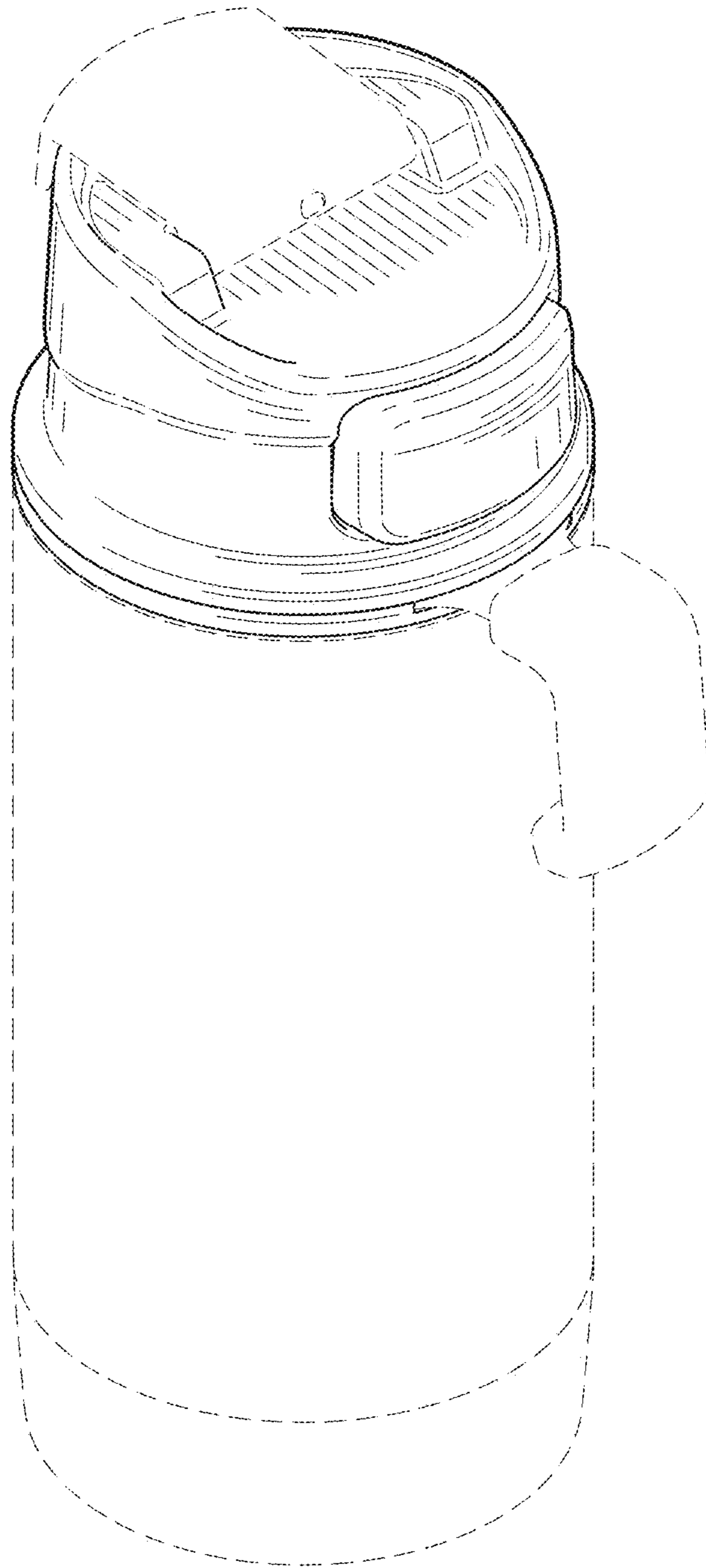


FIG. 1

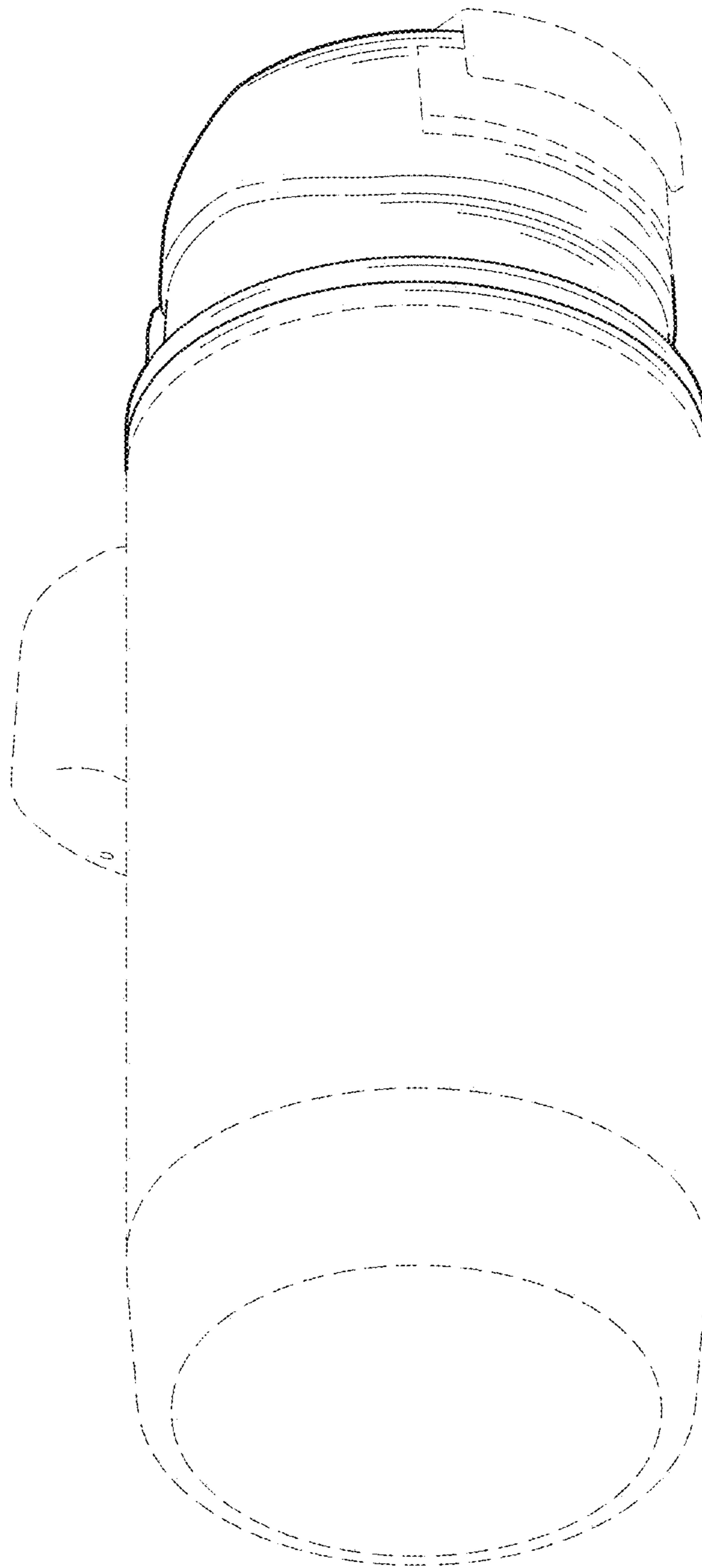


FIG. 2

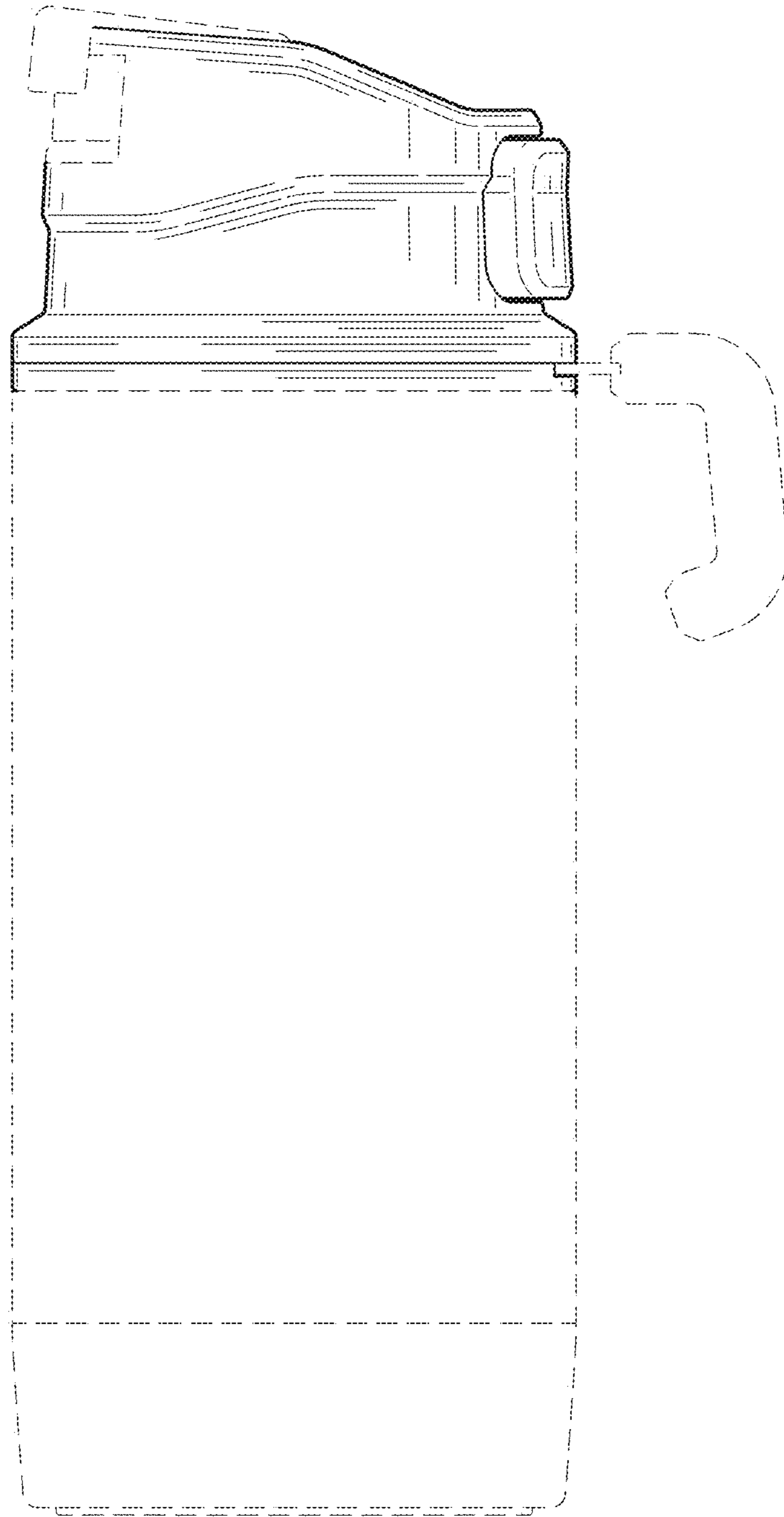


FIG. 3

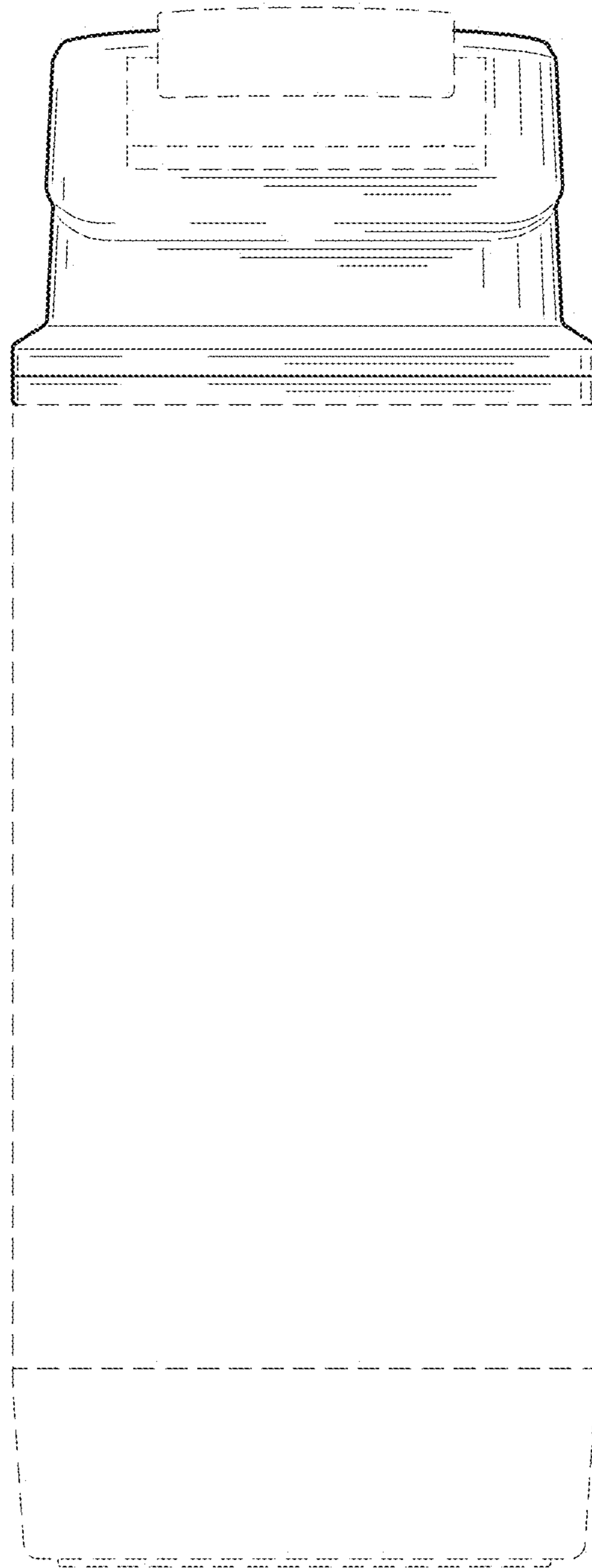


FIG. 4

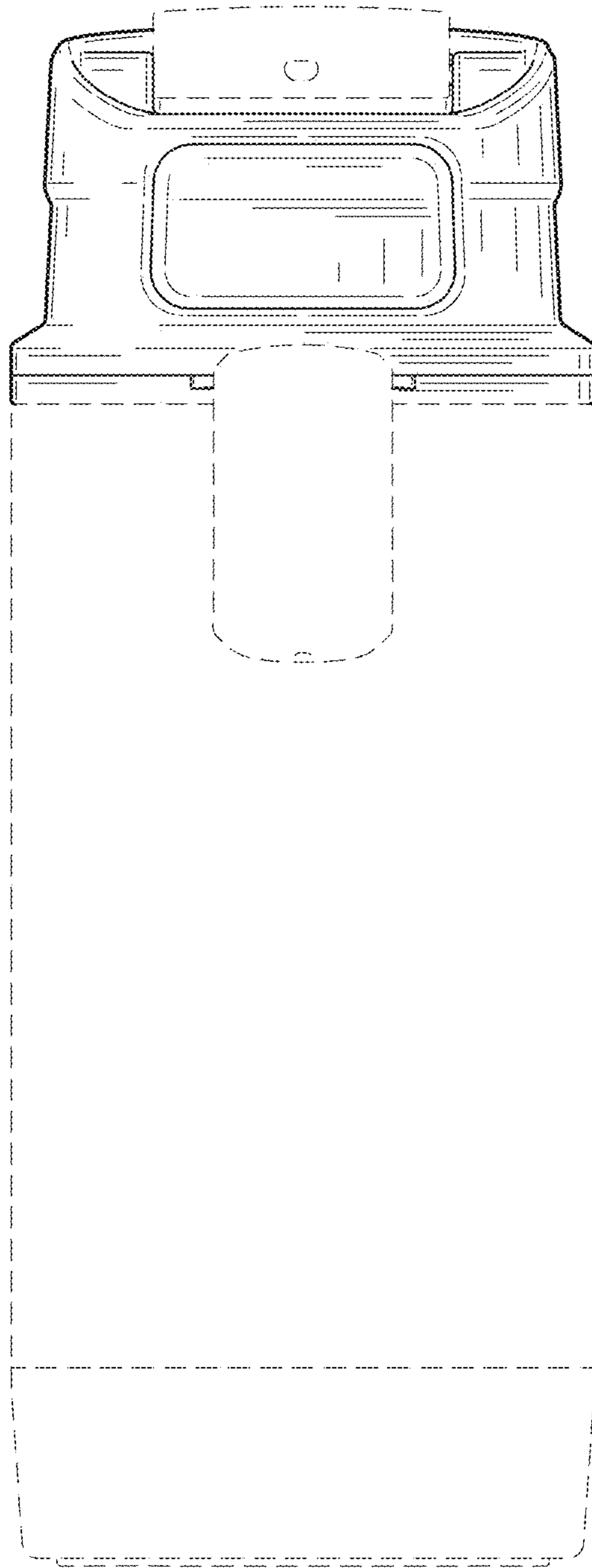


FIG. 5

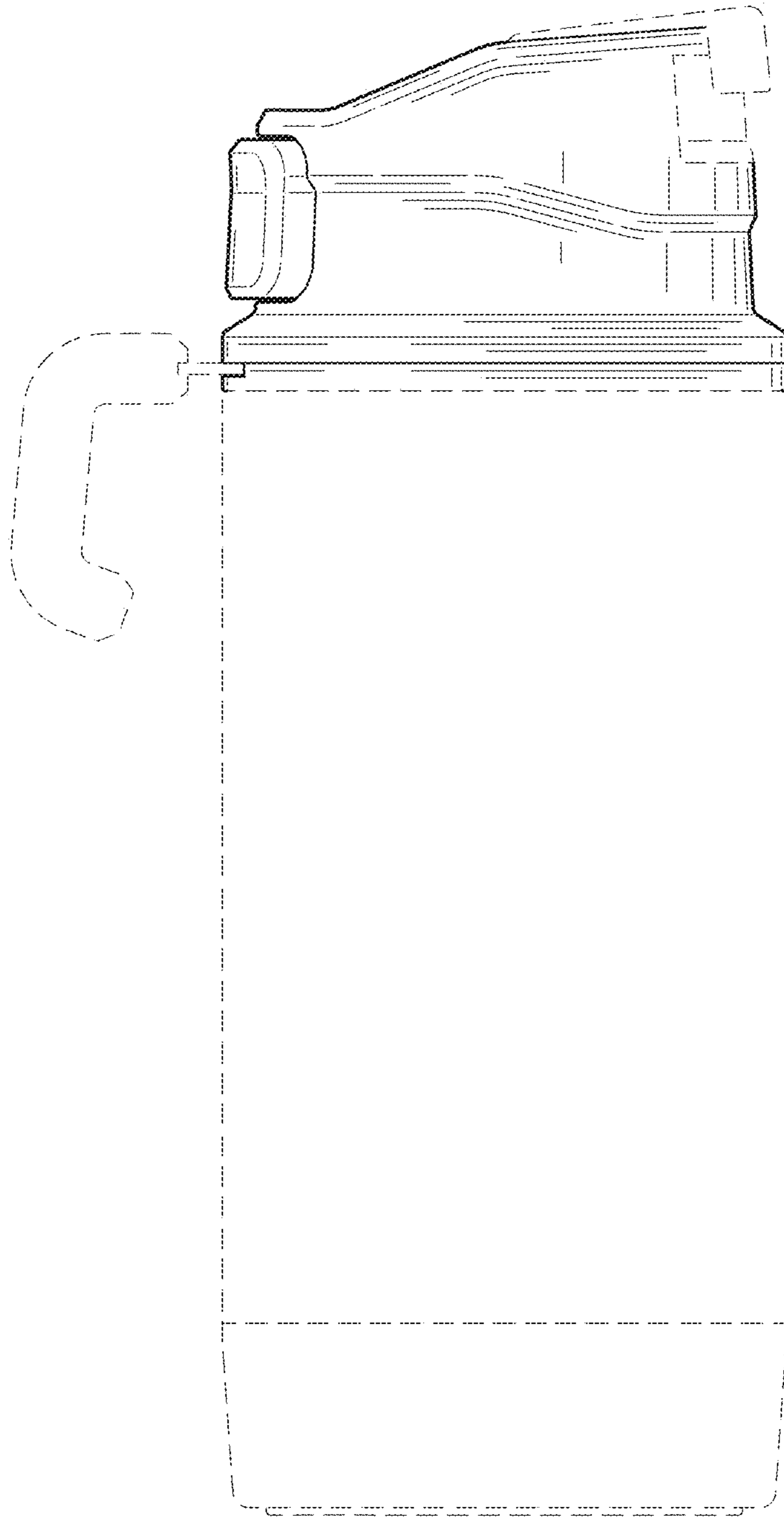


FIG. 6



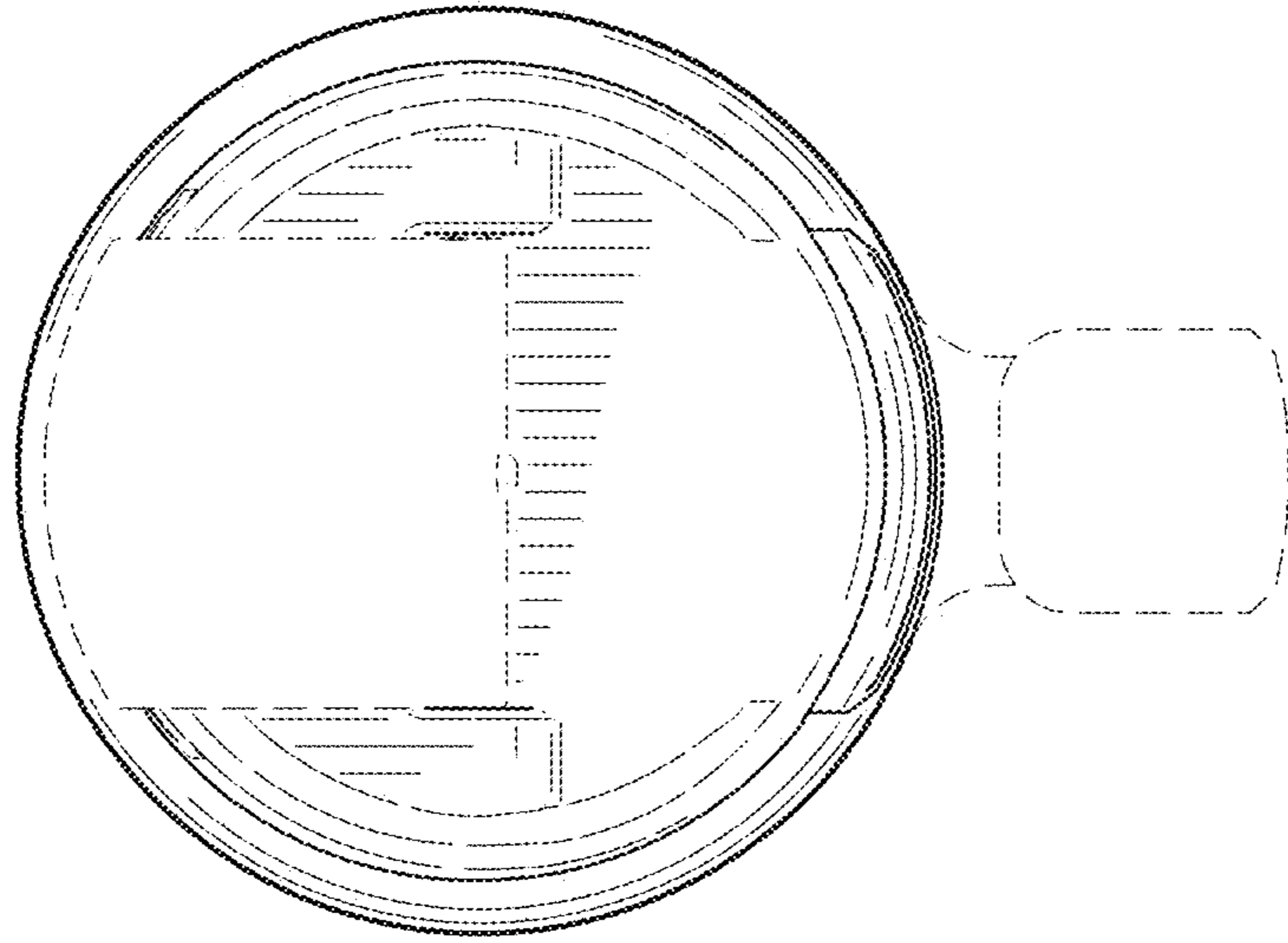


FIG. 7

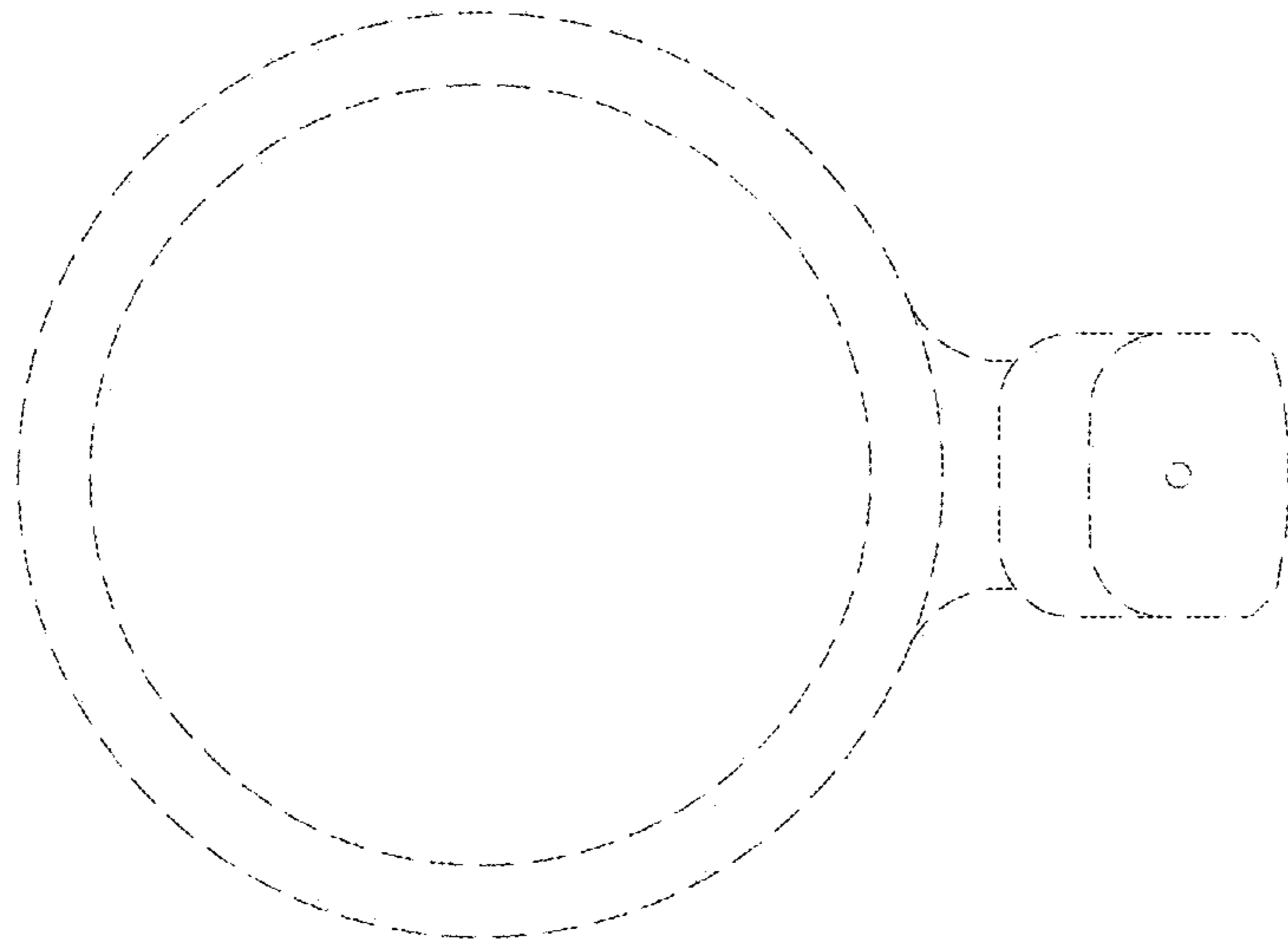


FIG. 8