



US00D880941S

(12) **United States Design Patent**
Silsby et al.

(10) **Patent No.:** **US D880,941 S**
(45) **Date of Patent:** **** Apr. 14, 2020**

(54) **BEVERAGE CONTAINER**

D437,185 S 2/2001 Freed
D438,429 S 3/2001 Otake
D440,815 S 4/2001 Freed

(71) Applicant: **Pacific Market International, LLC**,
Seattle, WA (US)

(Continued)

(72) Inventors: **Jacob D. Silsby**, Seattle, WA (US);
Evan Michael Choltco-Devlin,
Ellensburg, WA (US)

OTHER PUBLICATIONS

“Stanley Beverage Container,” 1 page, Stanley product publicly disclosed prior to Mar. 6, 2017.

(73) Assignee: **Pacific Market International, LLC**,
Seattle, WA (US)

Primary Examiner — Marianne N Pandozzi

Assistant Examiner — Jae Liang

(**) Term: **15 Years**

(74) *Attorney, Agent, or Firm* — Davis Wright Tremaine
LLP; George C. Rondeau, Jr.

(21) Appl. No.: **29/631,896**

(57) **CLAIM**

(22) Filed: **Jan. 3, 2018**

The ornamental design for a beverage container, as shown and described.

Related U.S. Application Data

DESCRIPTION

(62) Division of application No. 29/596,142, filed on Mar. 6, 2017, now Pat. No. Des. 817,087.

(51) **LOC (12) Cl.** **07-01**

(52) **U.S. Cl.**
USPC **D7/510; D7/511; D7/532; D7/536**

(58) **Field of Classification Search**
USPC D7/507, 509, 510, 511, 523, 529, 530,
D7/531, 532, 533, 536, 300.1, 300.2,
D7/396.2, 392.1, 394, 395, 534;
220/592.16, 592.17, 495.03; D9/503,
D9/504; D8/107, 300, 83, 84
CPC A47G 19/22; A47G 19/2205; A47G 19/02;
A47G 19/00; A47J 43/27
See application file for complete search history.

FIG. 1 is a top perspective view of a first embodiment of a beverage container showing our new design; FIG. 2 is a bottom perspective view thereof. FIG. 3 is a front elevational view thereof. FIG. 4 is a right side elevational view thereof. FIG. 5 is a left side elevational view thereof. FIG. 6 is a rear elevational view thereof. FIG. 7 is a top plan view thereof. FIG. 8 is a bottom plan view thereof. FIG. 9 is a top perspective view of a second embodiment thereof. FIG. 10 is a bottom perspective view thereof. FIG. 11 is a front elevational view thereof. FIG. 12 is a right side elevational view thereof. FIG. 13 is a left side elevational view thereof. FIG. 14 is a rear elevational view thereof. FIG. 15 is a top plan view thereof; and, FIG. 16 is a bottom plan view thereof.

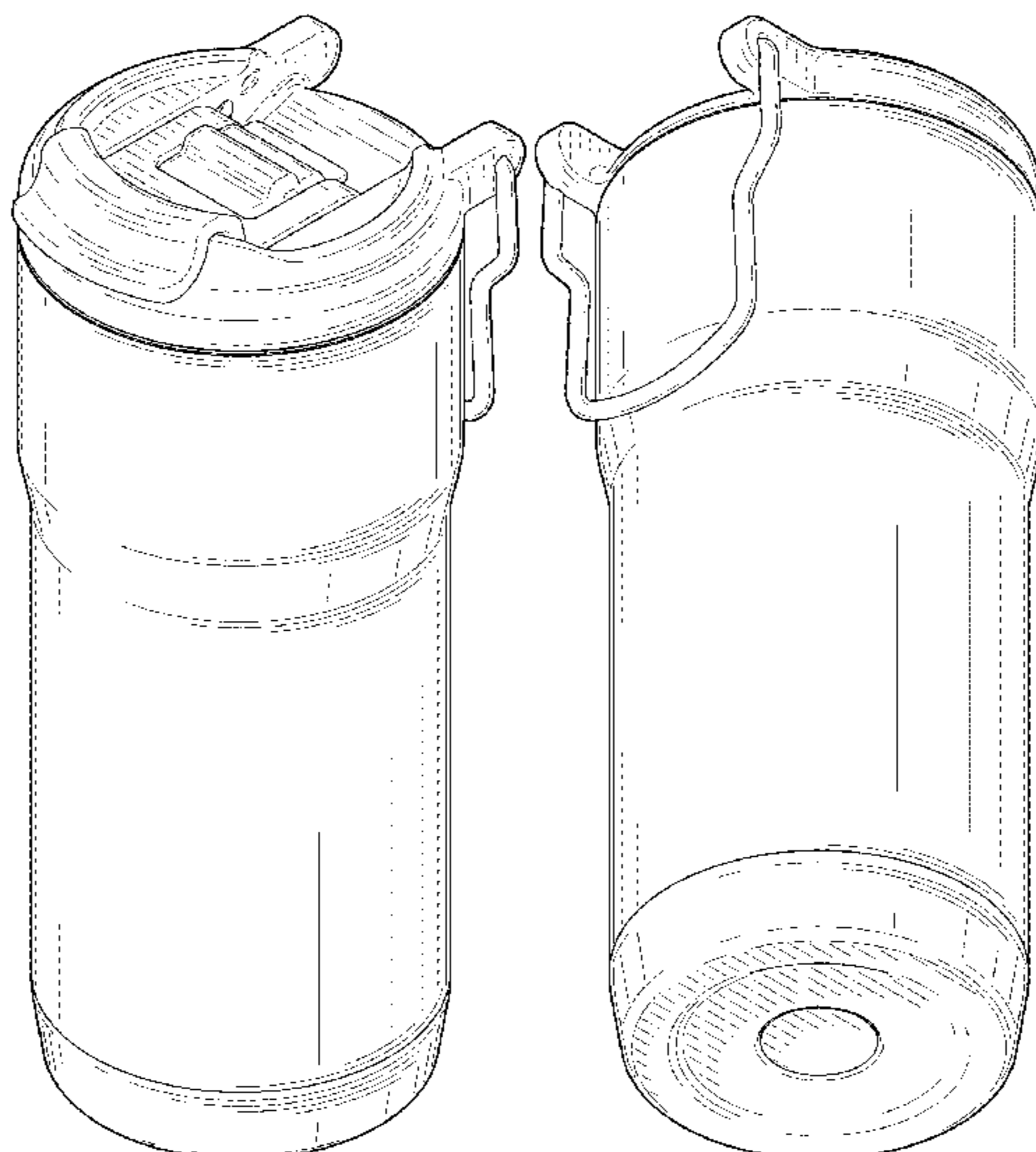
The broken lines in the drawings depict portions of the beverage container that form no part of the claimed design.

(56) **References Cited**

U.S. PATENT DOCUMENTS

D277,721 S 2/1985 Jordan
D314,490 S 2/1991 Elie
D390,083 S 2/1998 Ludy
D412,088 S 7/1999 Otake
D431,159 S 9/2000 Otake

1 Claim, 14 Drawing Sheets



(56)

References Cited

U.S. PATENT DOCUMENTS

D451,358 S	12/2001	Griese et al.	D619,869 S	7/2010	Garcia et al.
D472,425 S	4/2003	Hurlbut et al.	D622,549 S	8/2010	Carreno
D479,669 S	9/2003	Norris et al.	D623,011 S	9/2010	Gilbert et al.
D480,916 S	10/2003	Norris et al.	D625,562 S	10/2010	McClellan et al.
D480,917 S	10/2003	Holsinger et al.	D628,440 S	12/2010	LeVere
D481,254 S	10/2003	Lin	D632,132 S	2/2011	George
D512,269 S	12/2005	Trombly	D660,081 S *	5/2012	Gilbert D7/396.2
D525,080 S	7/2006	Katz et al.	D681,392 S	5/2013	Dichraff et al.
D585,719 S	2/2009	Imai et al.	D696,900 S	1/2014	George et al.
D587,963 S	3/2009	Elsener	D697,783 S	1/2014	Chesner
D587,967 S *	3/2009	Wahl D7/507	D707,492 S *	6/2014	George D7/509
D587,969 S *	3/2009	Gilbert D7/507	D712,701 S	9/2014	Boroski
D602,308 S	10/2009	Alviar et al.	D713,206 S	9/2014	Lane et al.
D604,103 S	11/2009	Alviar et al.	D720,186 S	12/2014	Lane et al.
D604,990 S	12/2009	Watkins et al.	D734,096 S *	7/2015	George D7/509
D609,970 S	2/2010	Richau et al.	D799,268 S *	10/2017	Gschwandt D7/509
D616,248 S	5/2010	George	D802,986 S	11/2017	Krooshof
			2008/0101056 A1	5/2008	Bhavnani
			2010/0288782 A1	11/2010	Lin

* cited by examiner

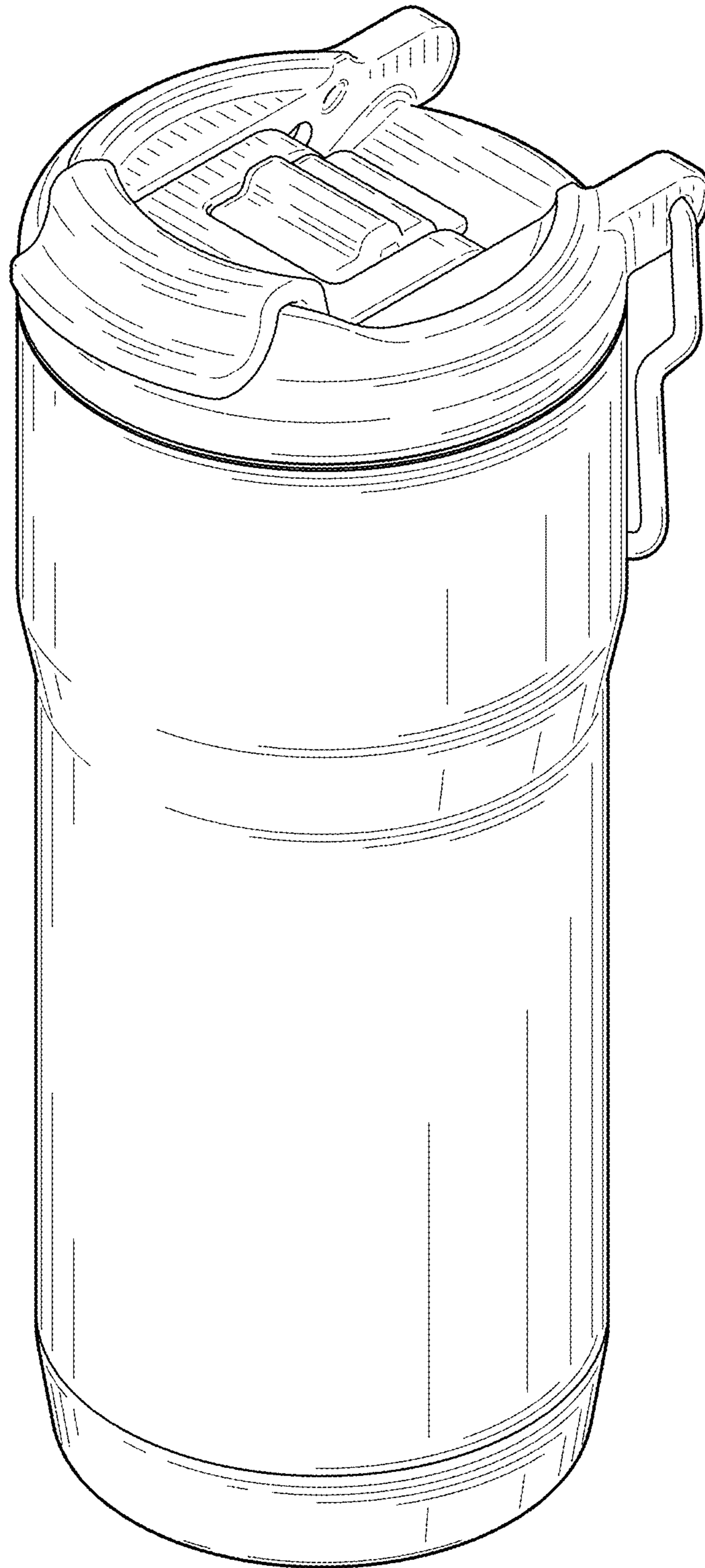


FIG. 1

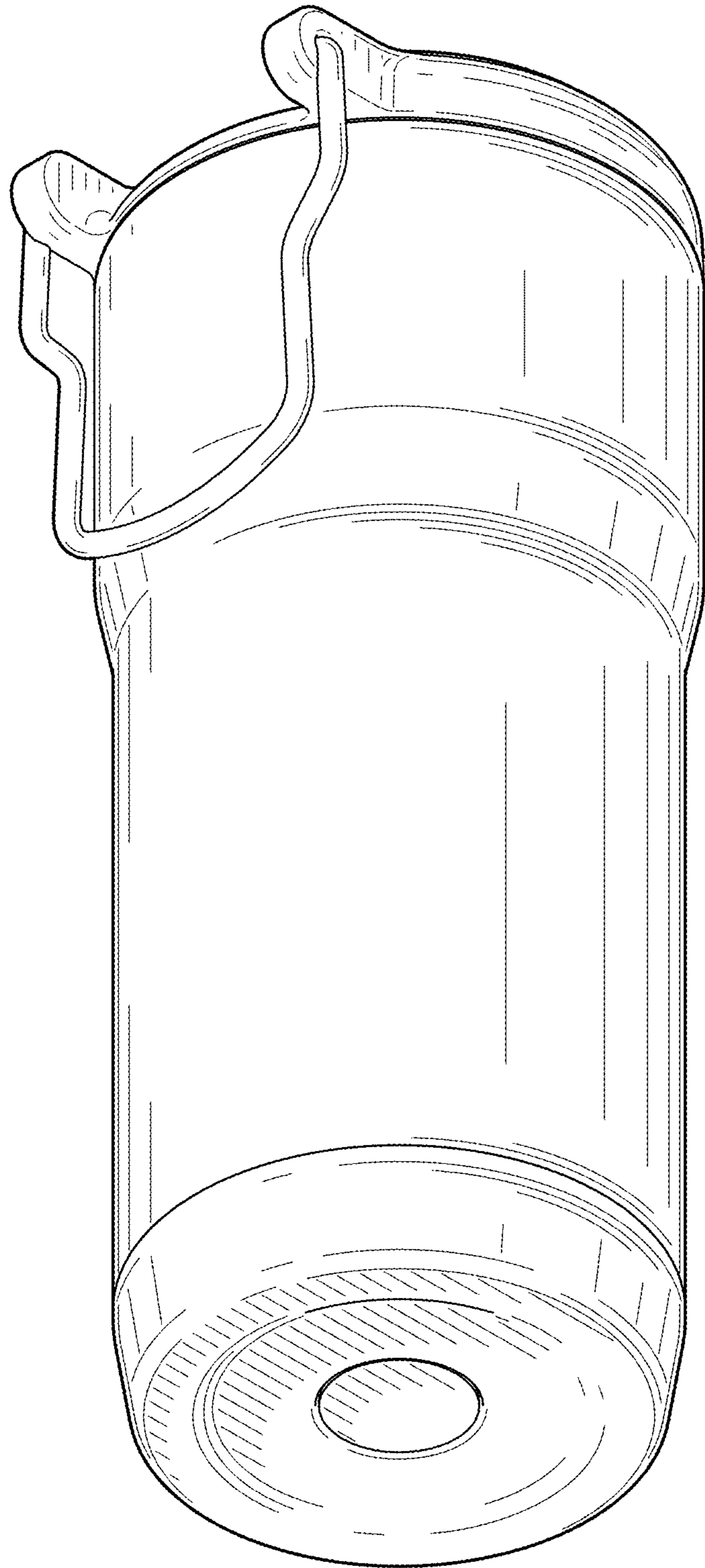


FIG. 2

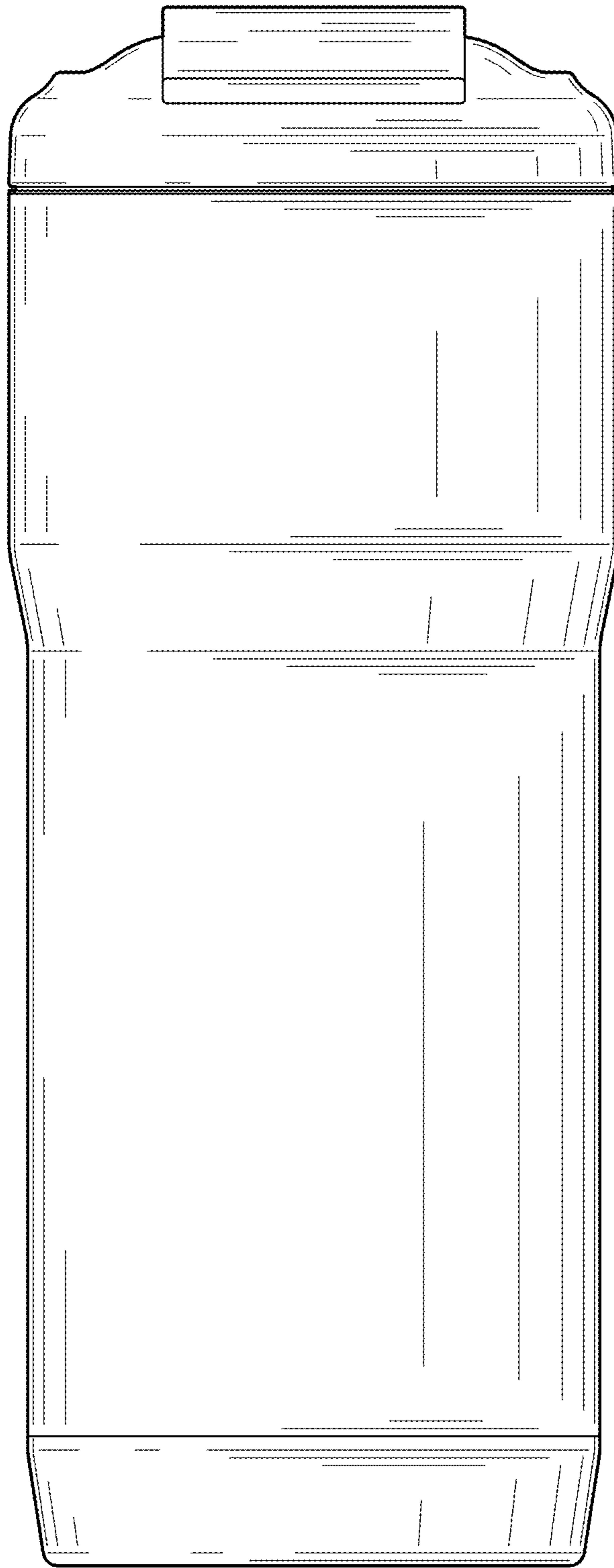


FIG. 3

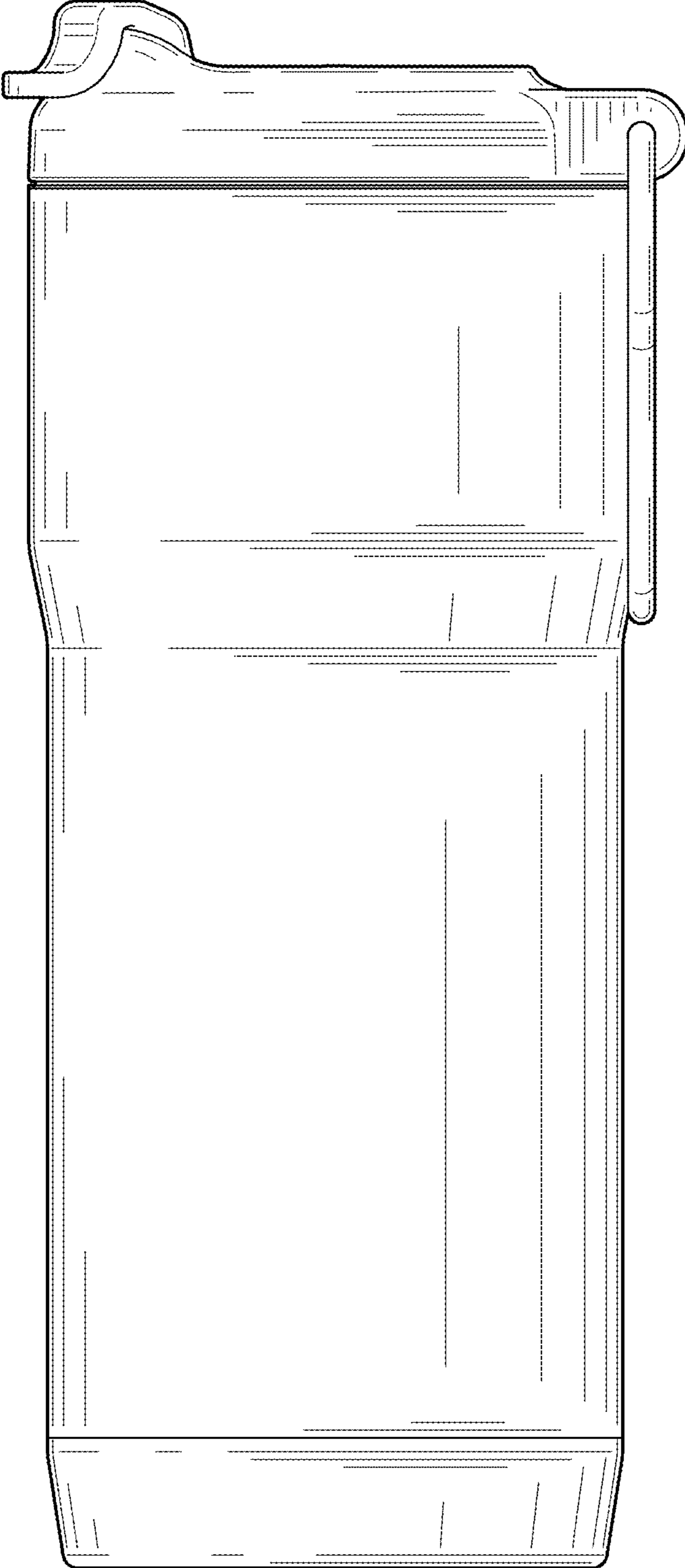


FIG. 4

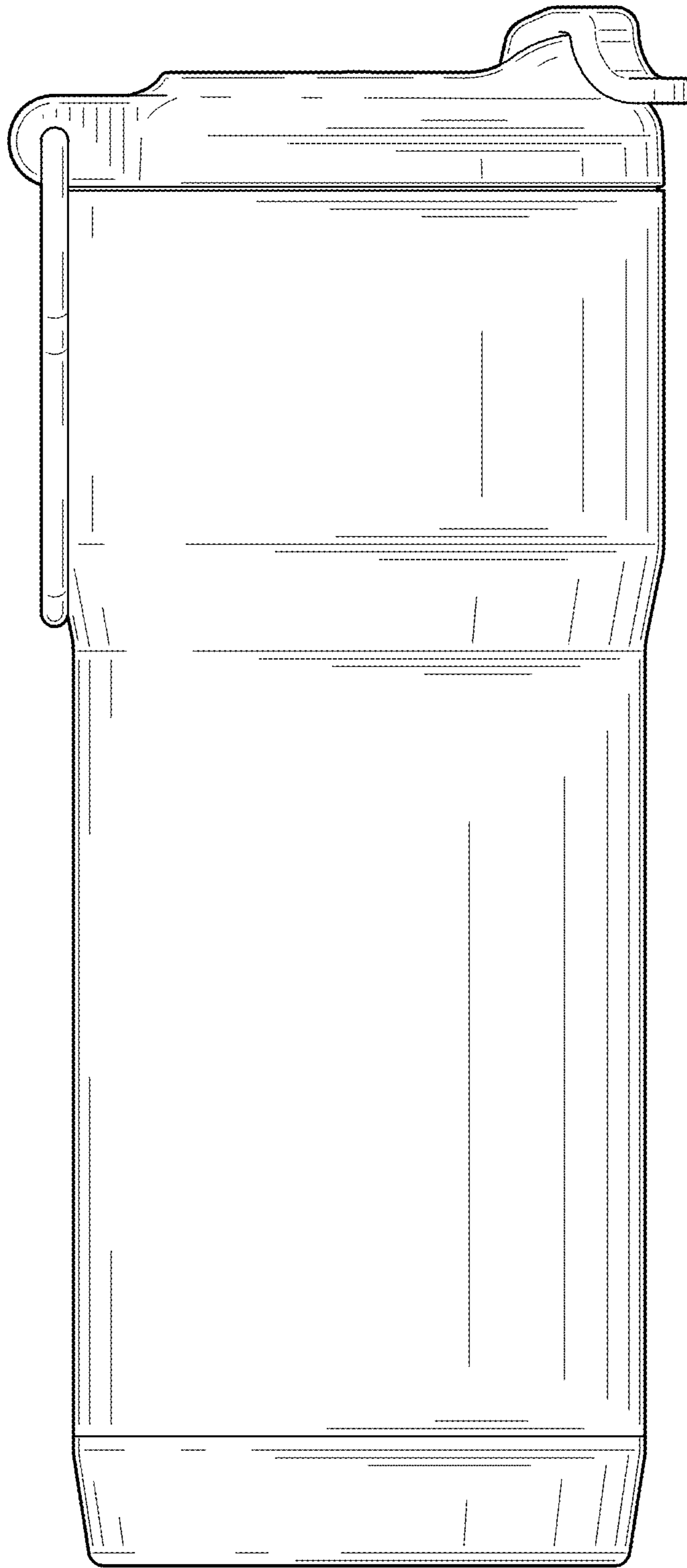


FIG. 5

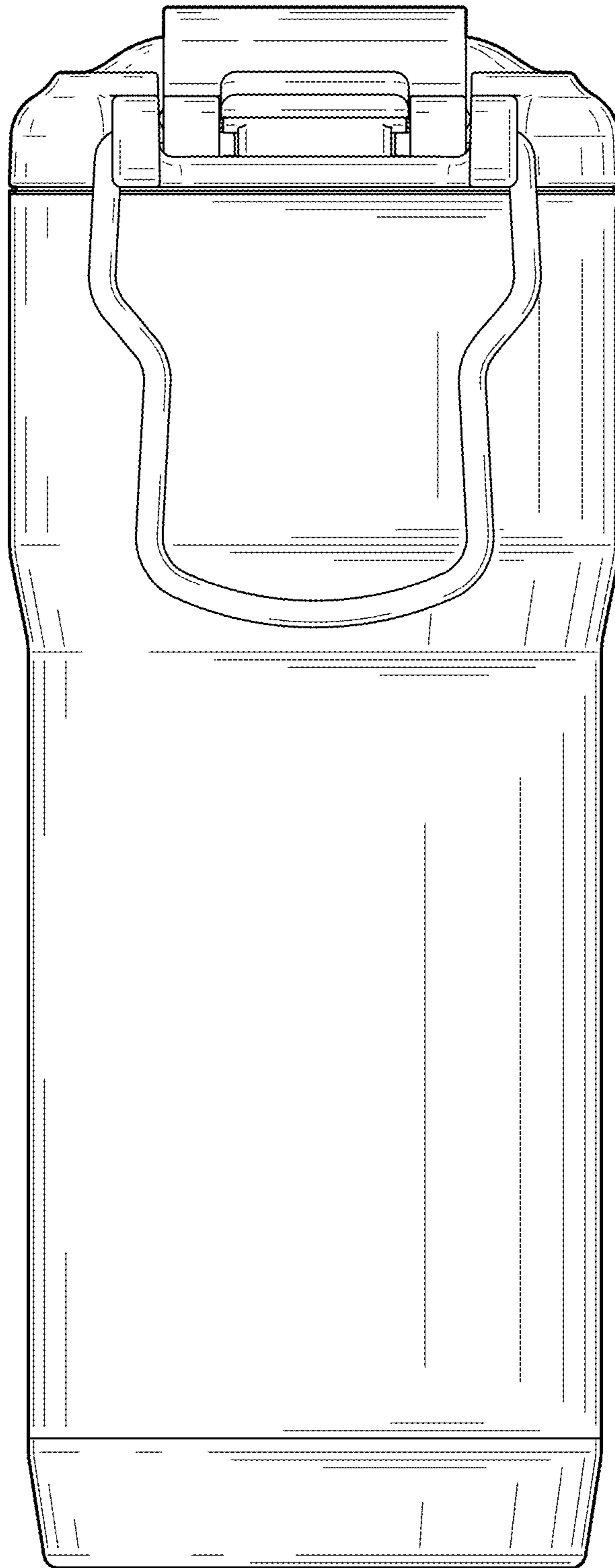


FIG. 6

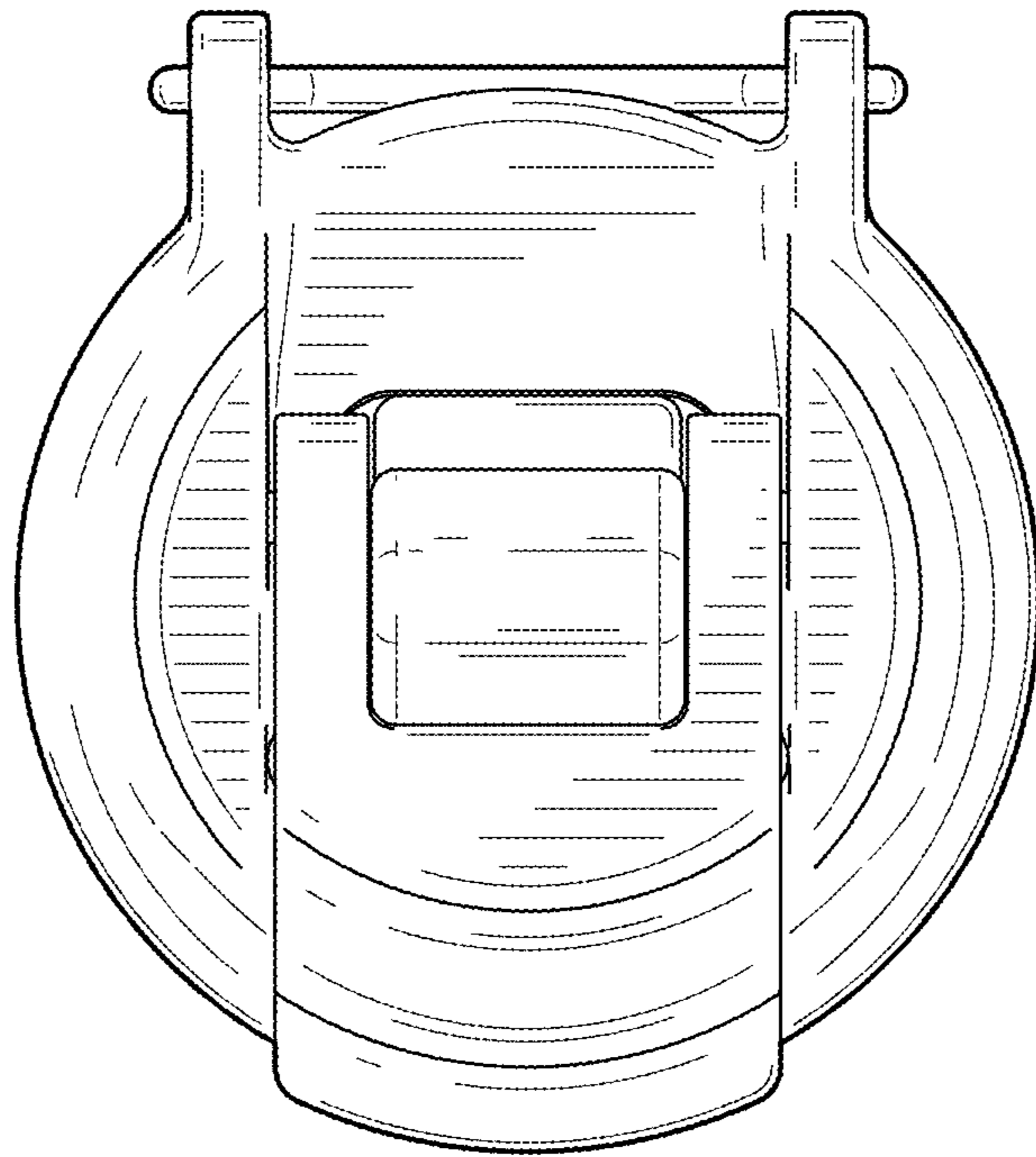


FIG. 7

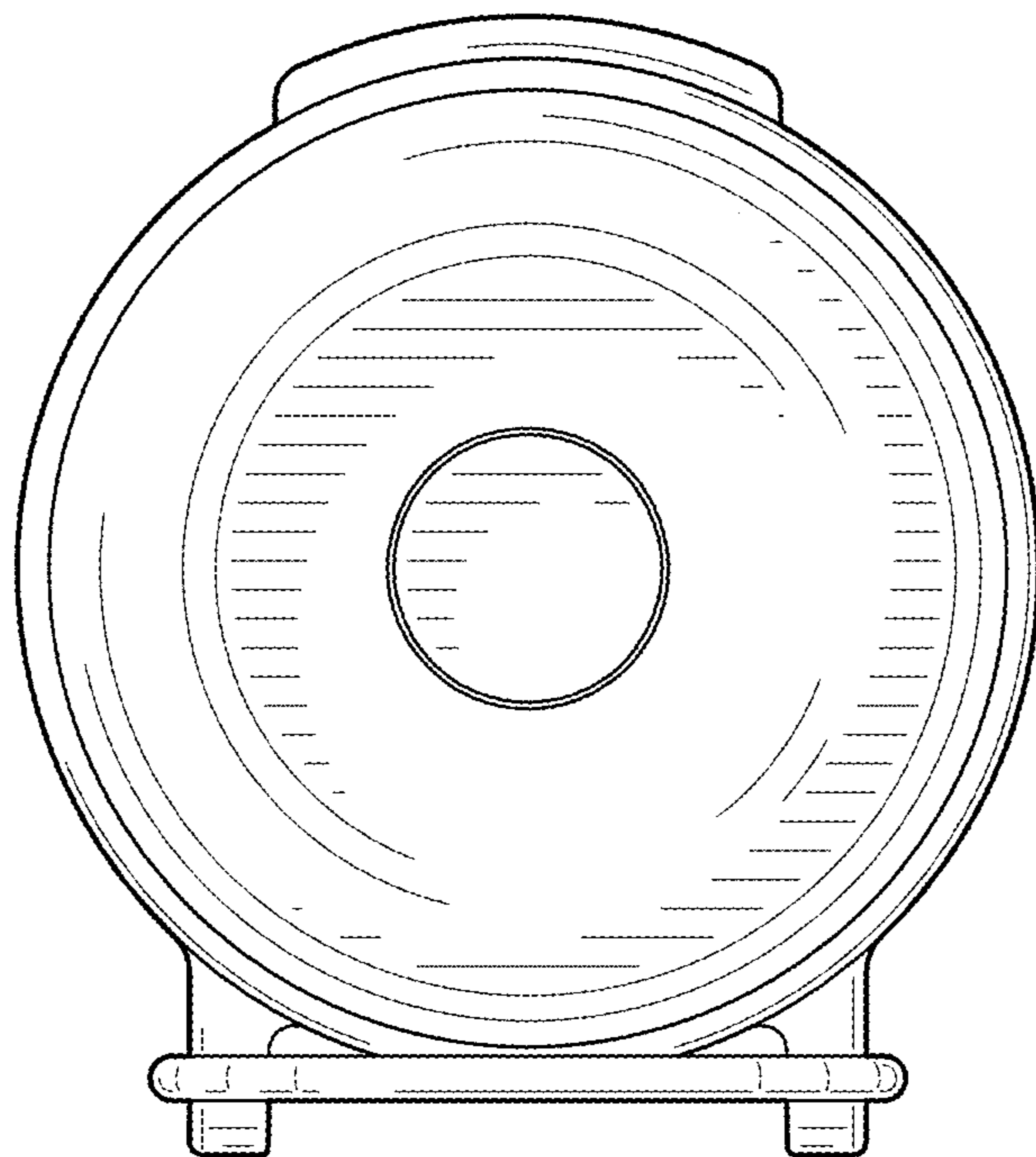


FIG. 8

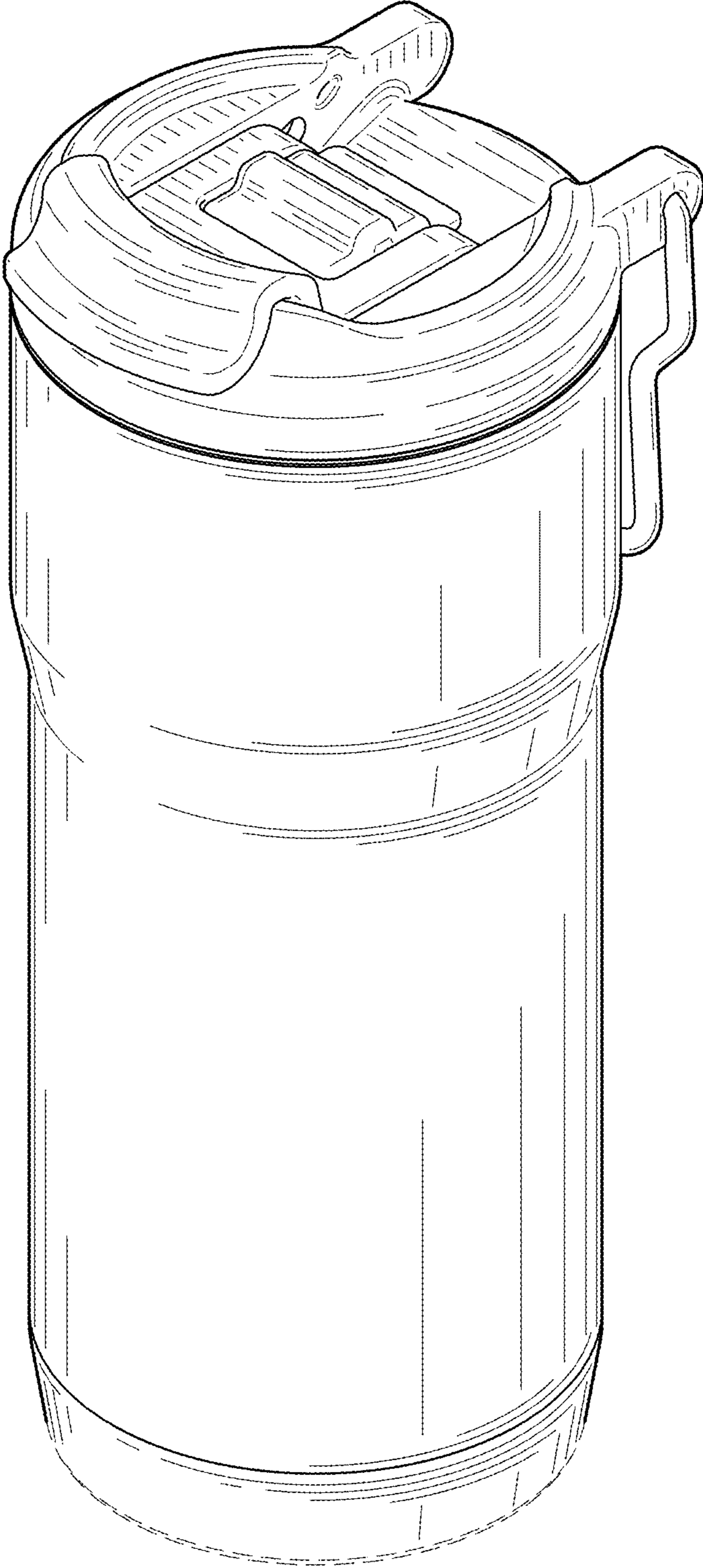


FIG. 9

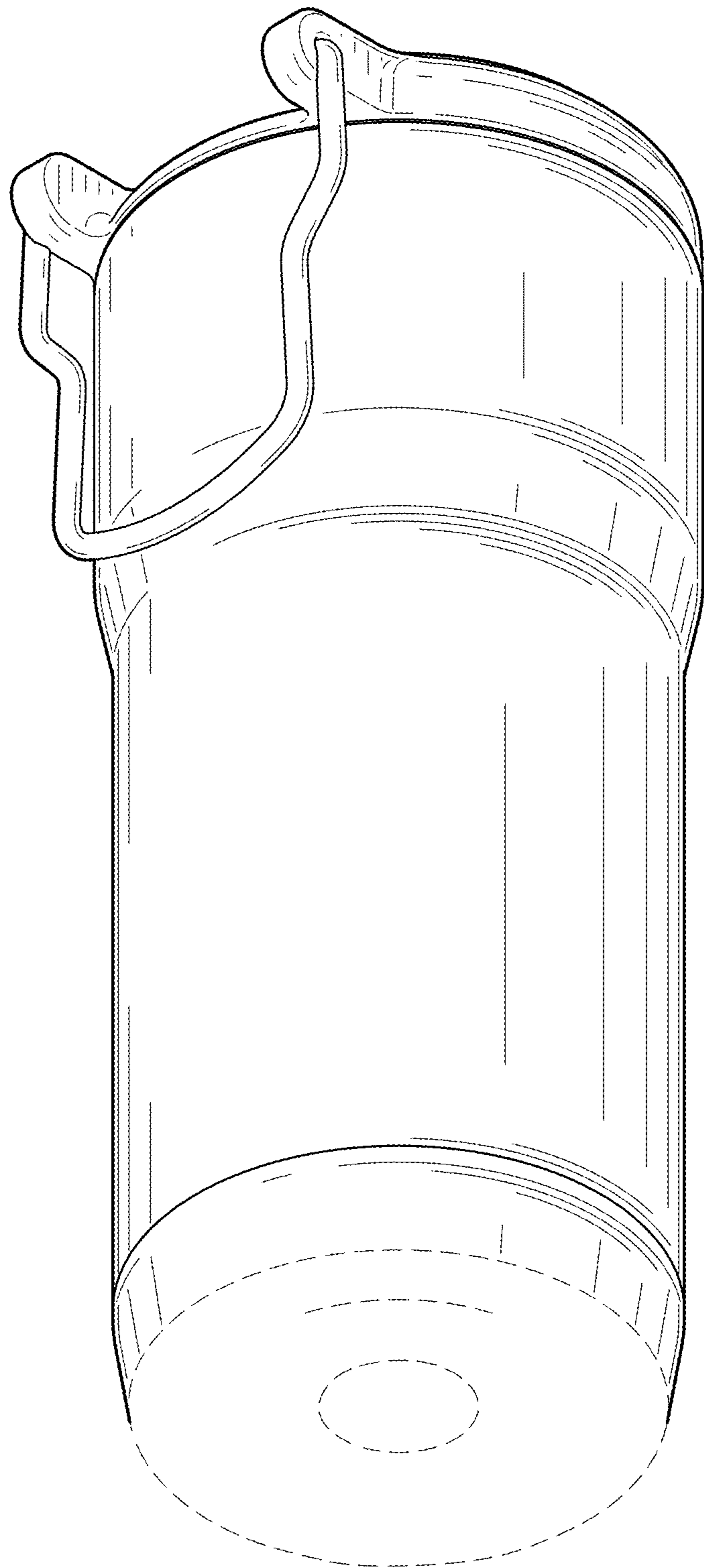


FIG. 10

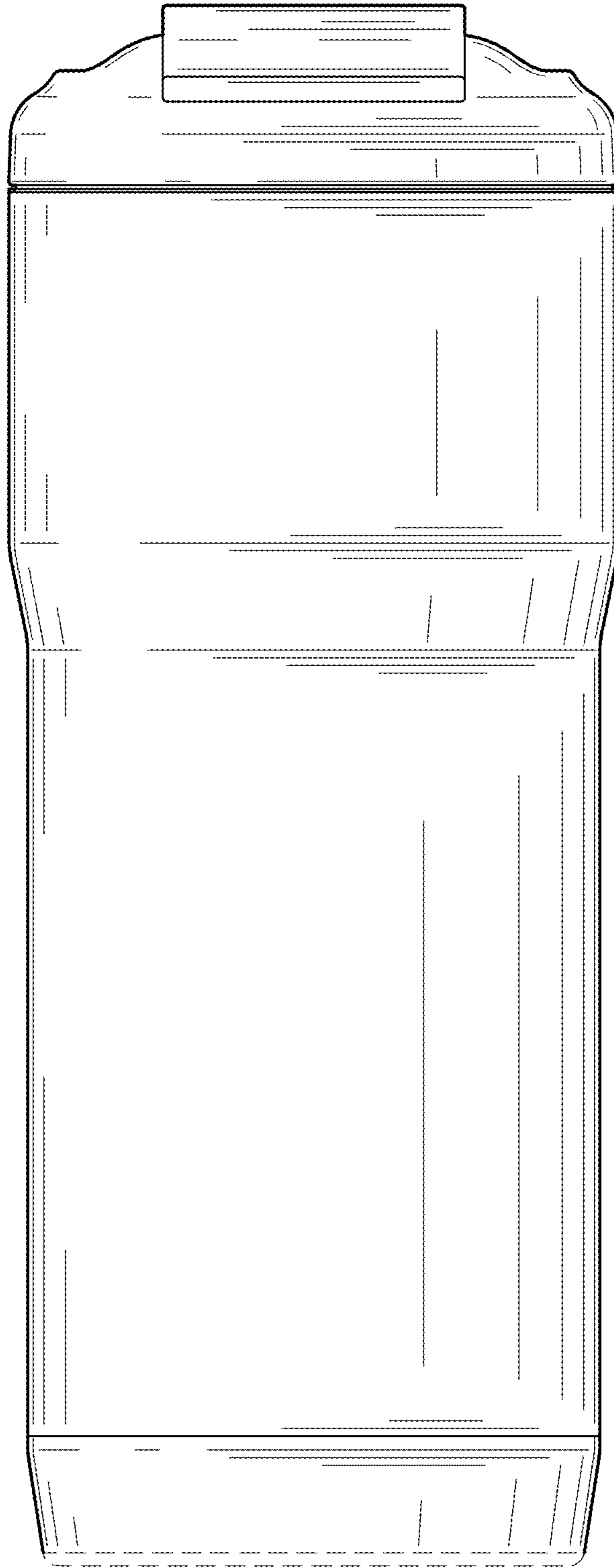


FIG. 11

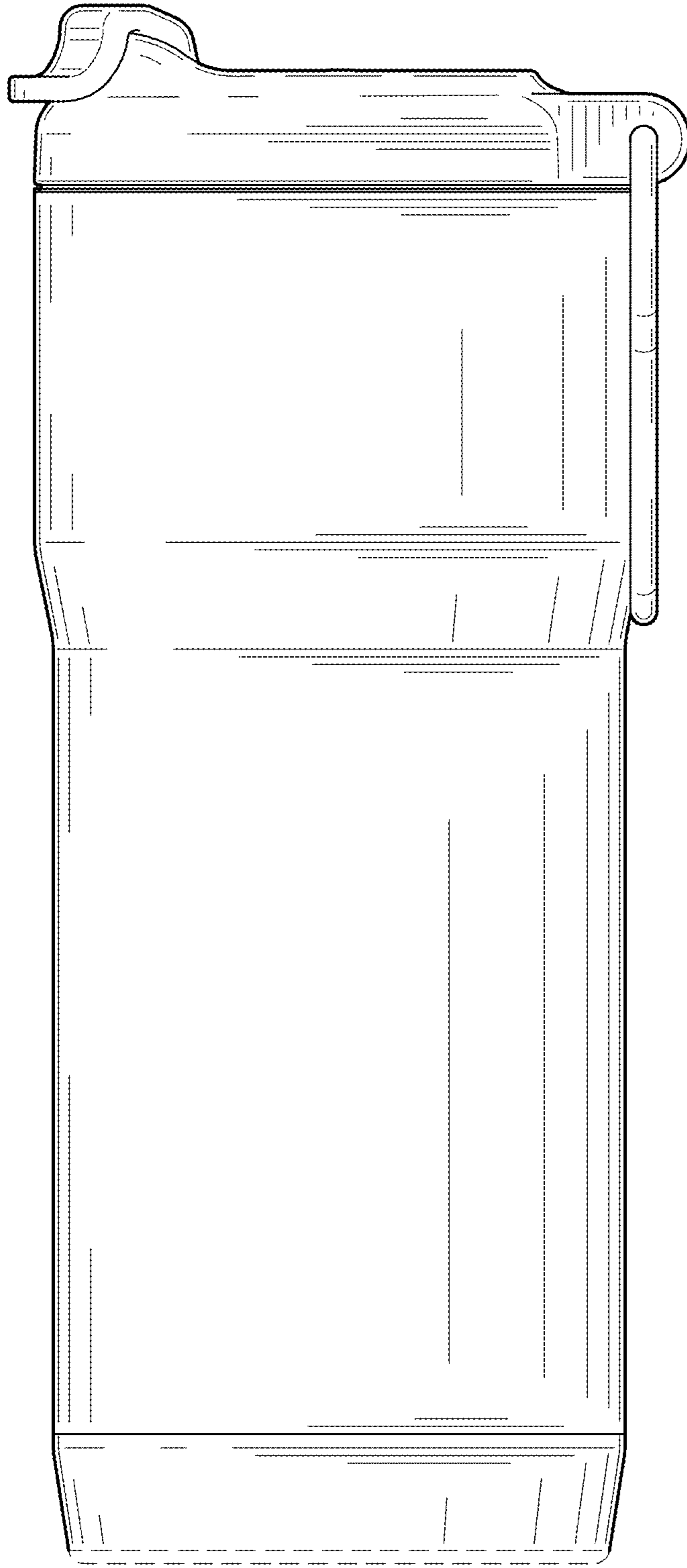


FIG. 12

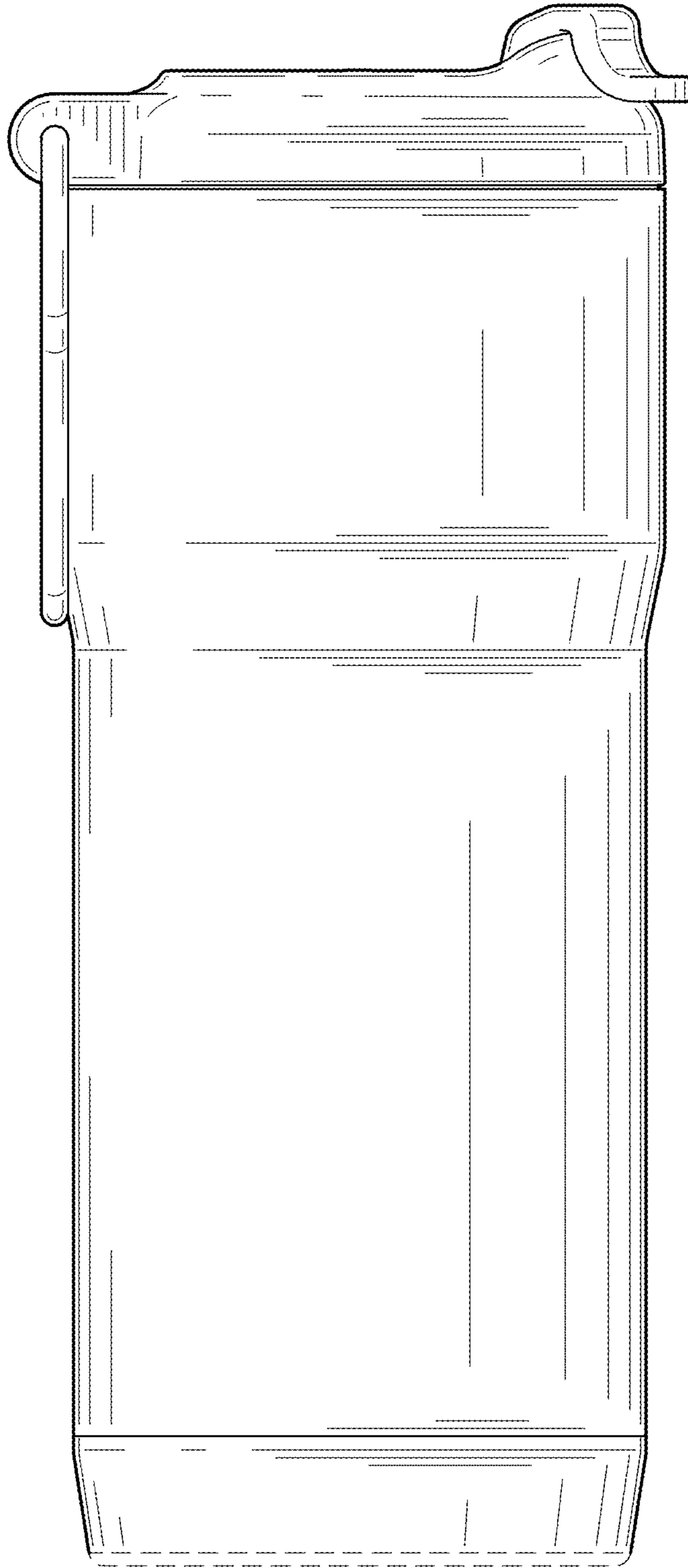


FIG. 13

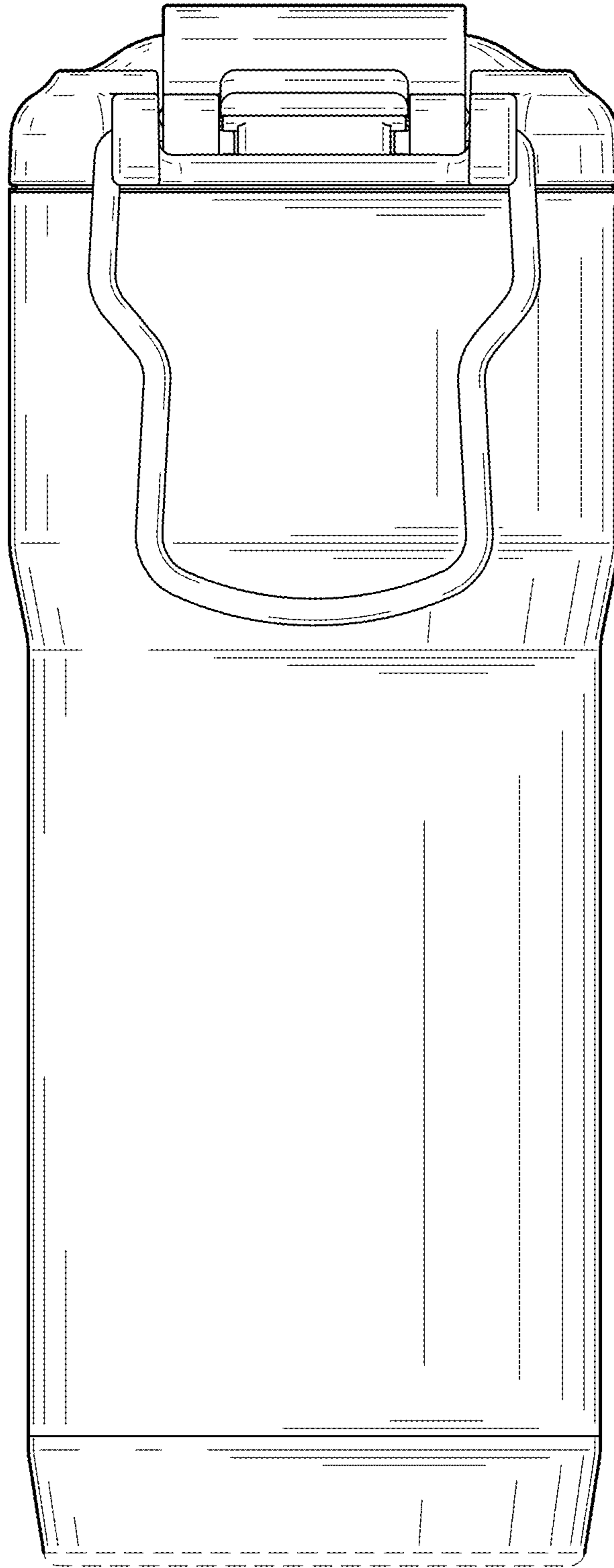


FIG. 14

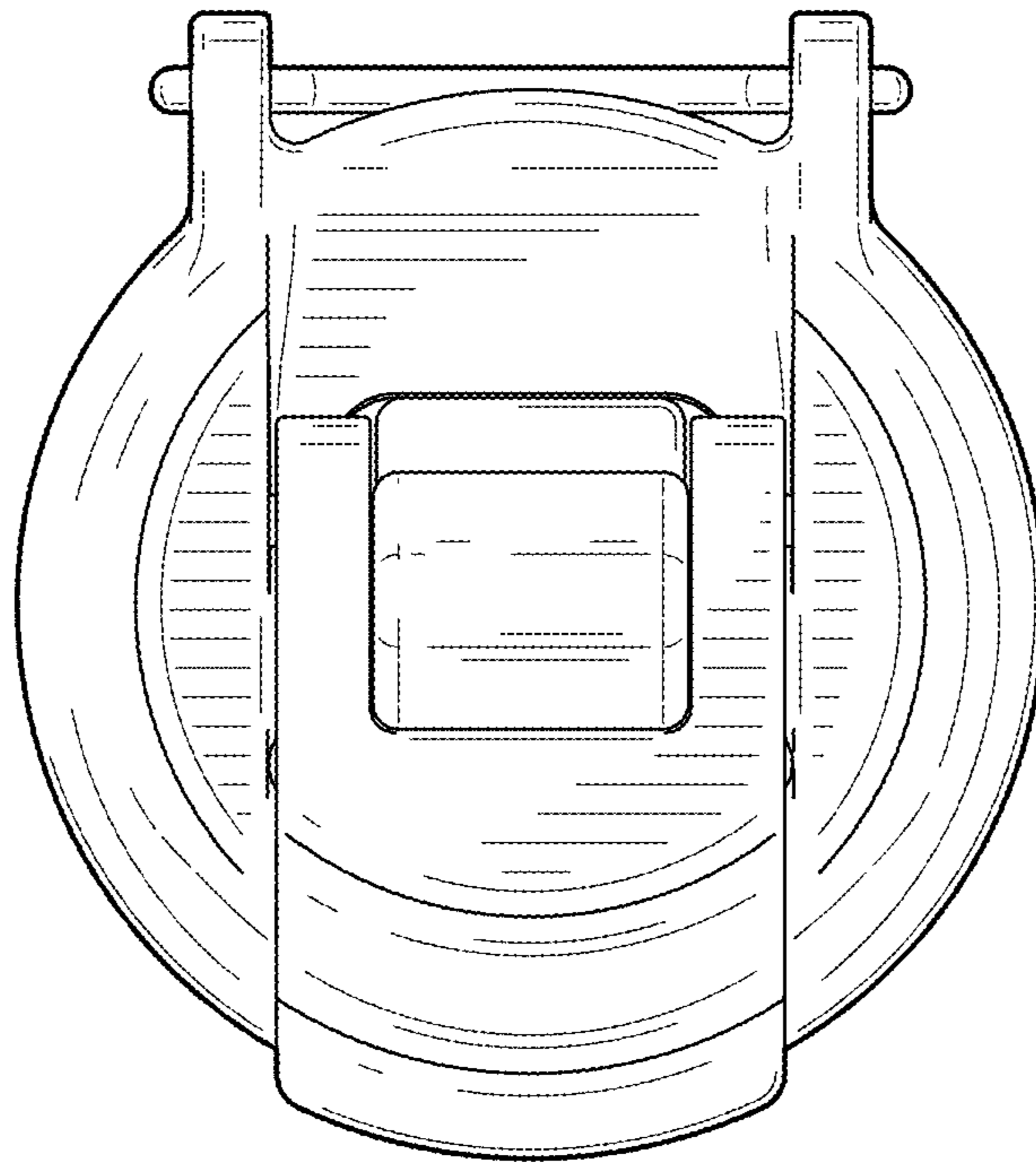


FIG. 15

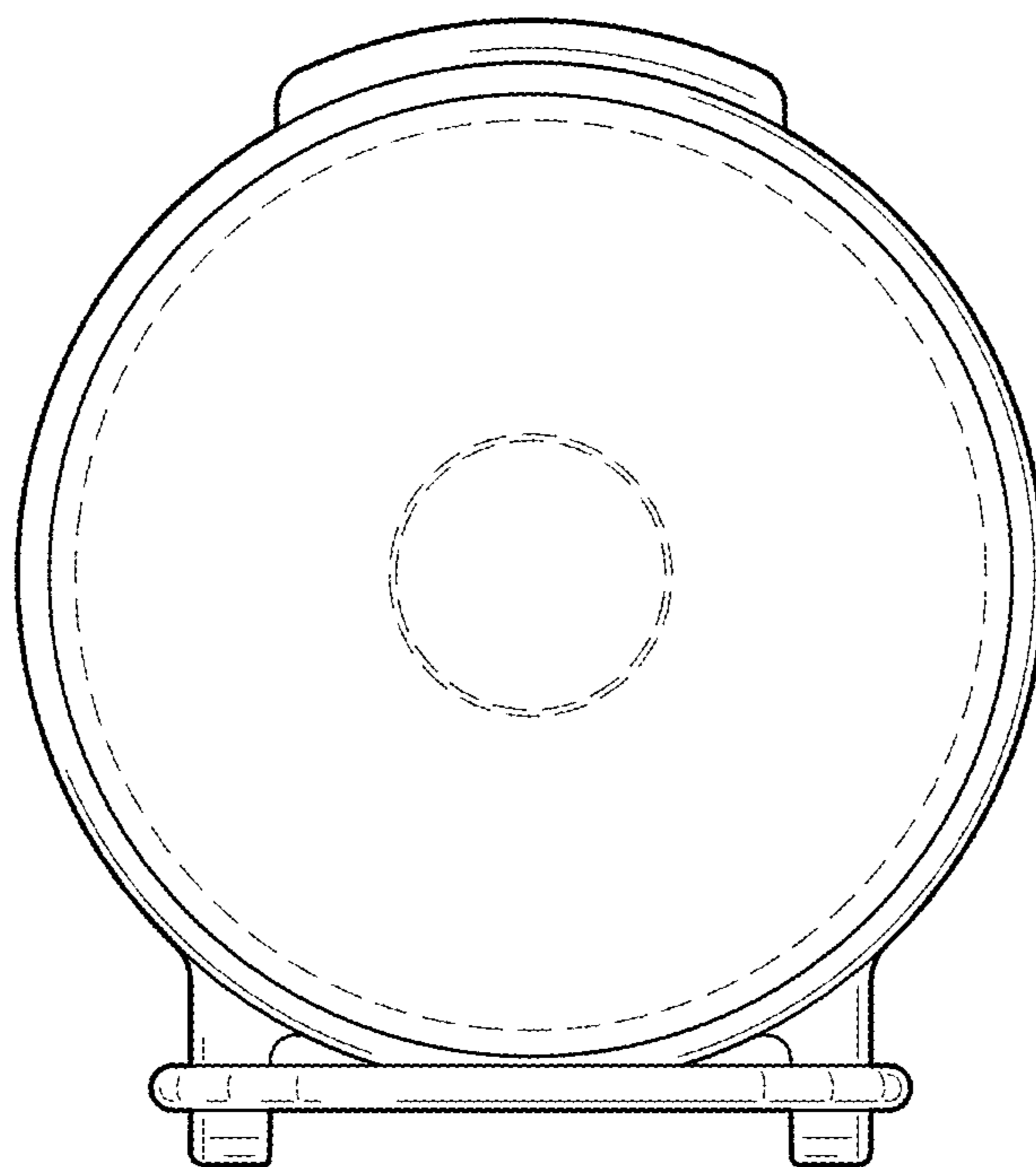


FIG. 16