



US00D880938S

(12) **United States Design Patent**
Chen et al.

(10) **Patent No.:** **US D880,938 S**
(45) **Date of Patent:** **** Apr. 14, 2020**

- (54) **MULTI-LAYER DEWATERING RACK**
- (71) Applicants: **Linbin Chen**, Jieyang (CN); **Wenjie Lin**, Jieyang (CN)
- (72) Inventors: **Linbin Chen**, Jieyang (CN); **Wenjie Lin**, Jieyang (CN)
- (**) Term: **15 Years**
- (21) Appl. No.: **29/714,303**
- (22) Filed: **Nov. 22, 2019**
- (51) **LOC (12) Cl.** **07-02**
- (52) **U.S. Cl.**
USPC **D7/409; D7/354**
- (58) **Field of Classification Search**
USPC D7/323, 332, 335-337, 354-355, D7/359-364, 387-388, 402, 407-409
CPC A21B 2/00; A21B 3/00; A21B 3/13; A21B 3/15; A21B 5/00; A21B 5/02; A23N 12/06; A23N 12/08; A23N 12/10; A45C 11/20; A47J 27/04; A47J 27/122; A47J 36/22; A47J 37/00; A47J 37/04; A47J 37/041; A47J 37/042; A47J 37/06; A47J 37/0688; A47J 37/0694; A47J 37/07; A47J 37/0704; A47J 37/10; A47J 37/1295; A47J 47/16; A47J 47/20; A47J 2037/00; A47J 2037/06; A47J 2037/0611; A47J 2037/07; A47J 2037/0786; A47J 2037/0795; F24C 15/10; F24C 15/12; F24C 15/14; F24C 15/16; F24C 15/164; F24C 15/18
See application file for complete search history.

- (56) **References Cited**
U.S. PATENT DOCUMENTS
896,708 A * 8/1908 Bruce A47J 27/04 99/417
1,530,175 A * 3/1925 Hatch, Jr. A47J 47/16 220/6

- 1,956,678 A * 5/1934 Hanson A45C 11/20 108/183
- 3,212,426 A * 10/1965 Lewus A47J 27/04 99/339
- 3,347,404 A * 10/1967 McIntyre A47J 27/122 220/486
- 4,052,934 A * 10/1977 Shinman A47J 36/22 99/355
- 5,195,424 A * 3/1993 Guajaca A47J 27/04 126/348
- D339,266 S * 9/1993 Lockett D7/323
- 6,103,291 A * 8/2000 Fernandez Tapia A47J 27/04 426/523
- D532,623 S 11/2006 Tsai
- D546,585 S 7/2007 Tsai
- 8,025,007 B1 * 9/2011 Boyer A47J 37/1295 99/339
- D695,059 S * 12/2013 Mehler D7/354
- D837,593 S * 1/2019 Trudnak D7/409
- D841,374 S 2/2019 Felsenthal et al.
- D858,193 S * 9/2019 Romzek D7/409

* cited by examiner

Primary Examiner — Ricky Pham
(74) *Attorney, Agent, or Firm* — HYIP

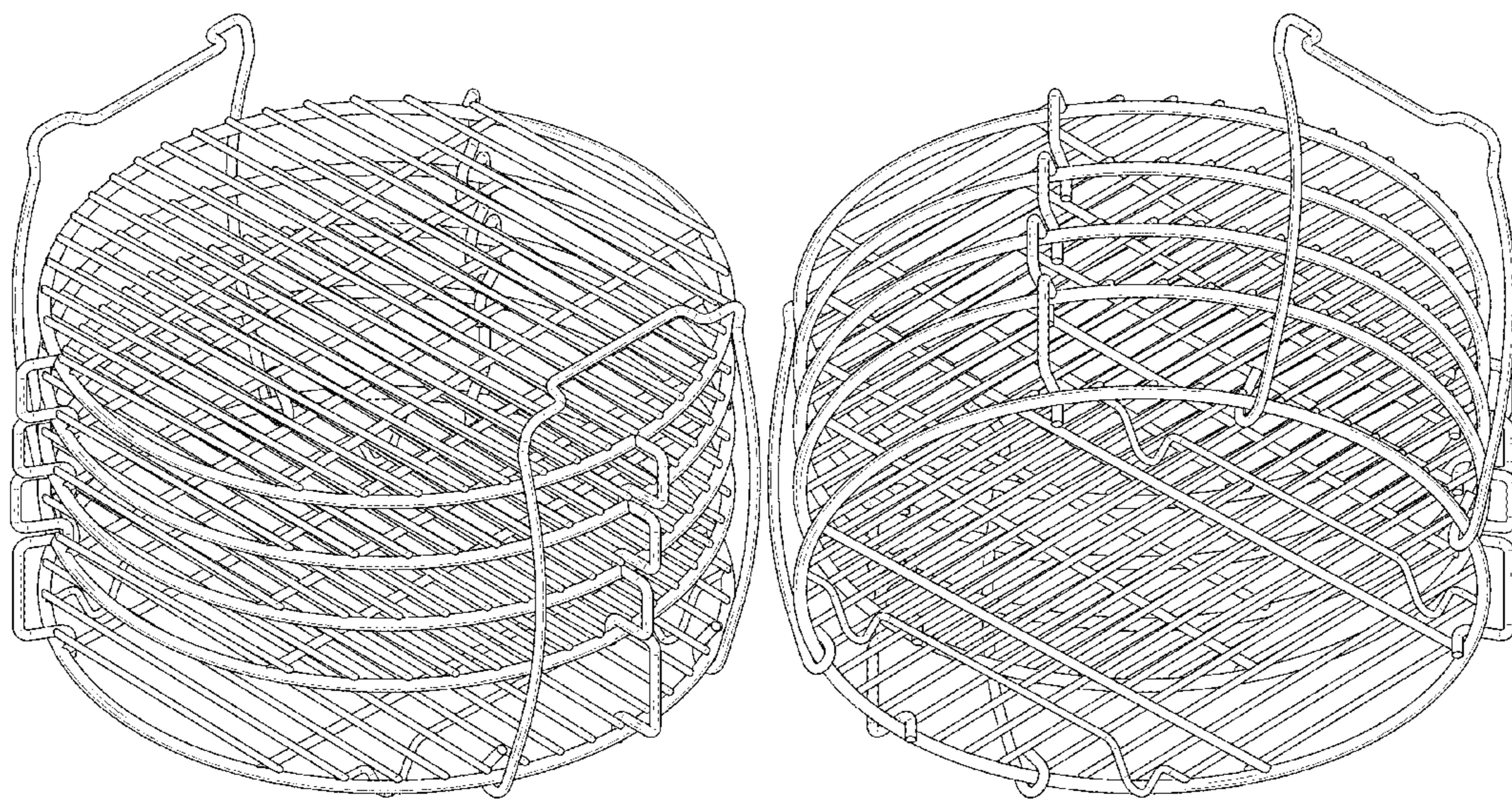
(57) **CLAIM**

The ornamental design for a multi-layer dewatering rack, as shown and described.

DESCRIPTION

FIG. 1 is a first perspective view of a multi-layer dewatering rack showing our new design;
FIG. 2 is a second perspective view thereof;
FIG. 3 is a front view thereof;
FIG. 4 is a back view thereof;
FIG. 5 is a left side view thereof;
FIG. 6 is a right side view thereof;
FIG. 7 is a top view thereof;
FIG. 8 is a bottom view thereof; and,
FIG. 9 is an exploded view of the multi-layer dewatering rack thereof.

1 Claim, 9 Drawing Sheets



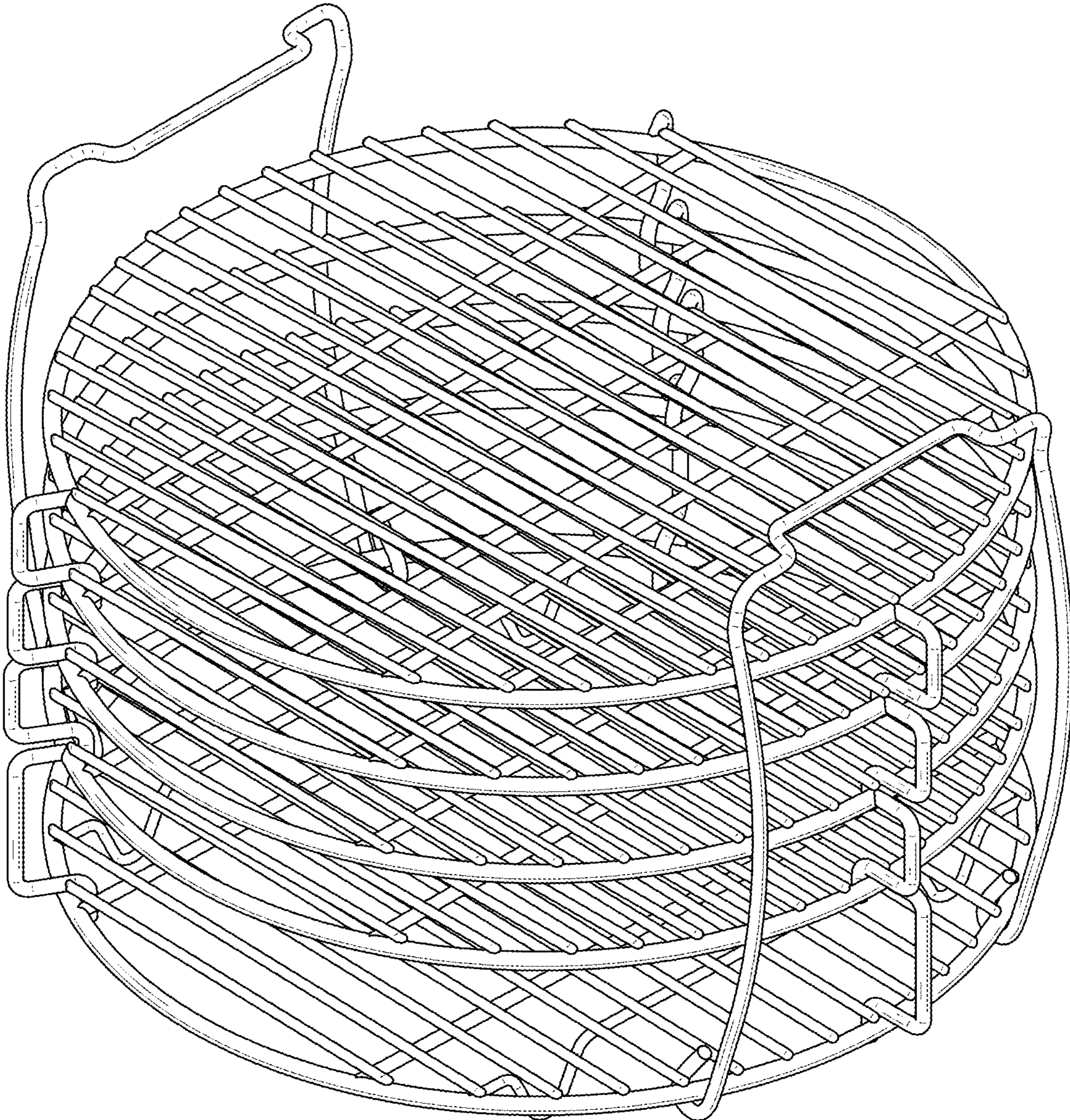


FIG. 1

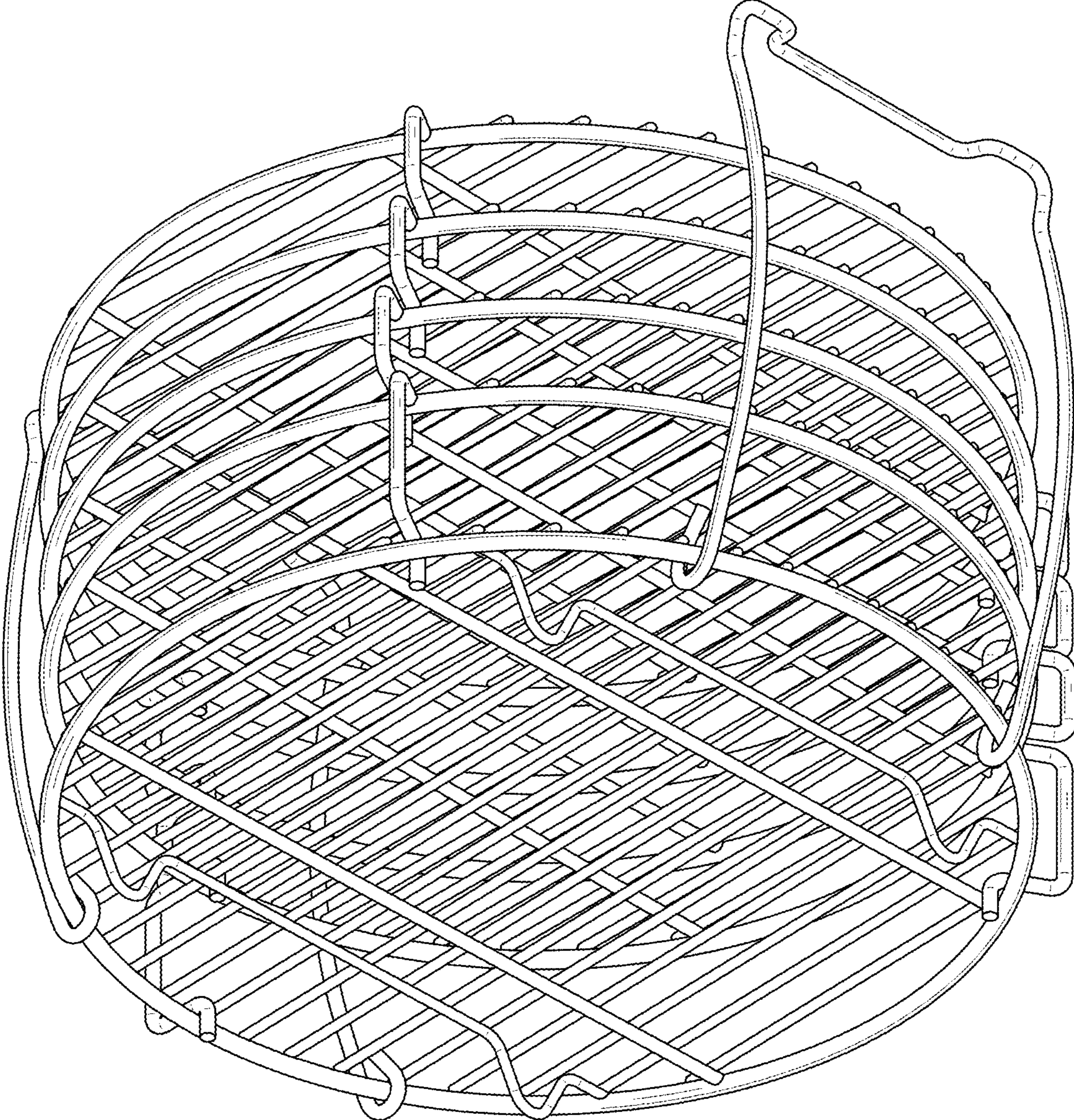


FIG. 2

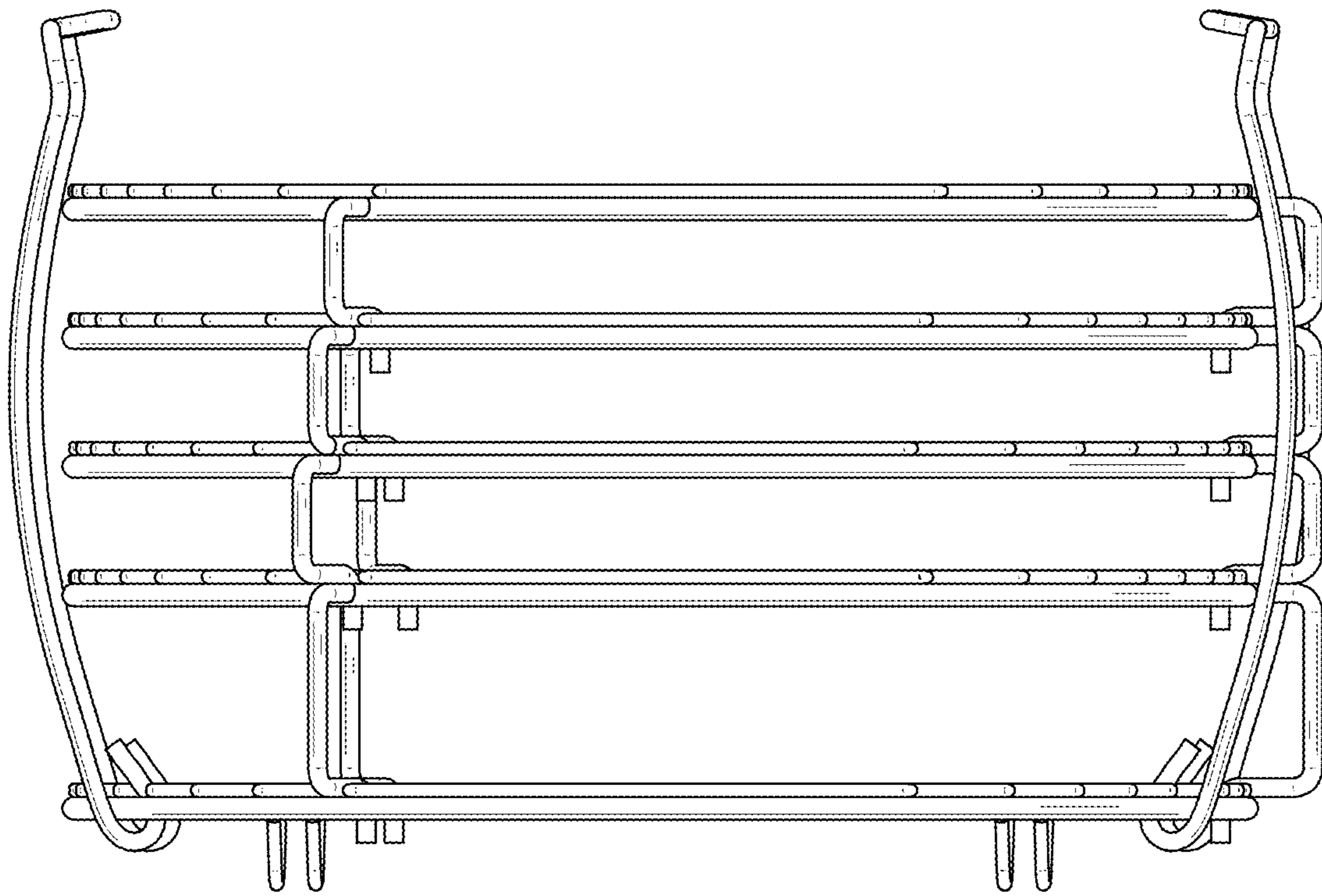


FIG. 3

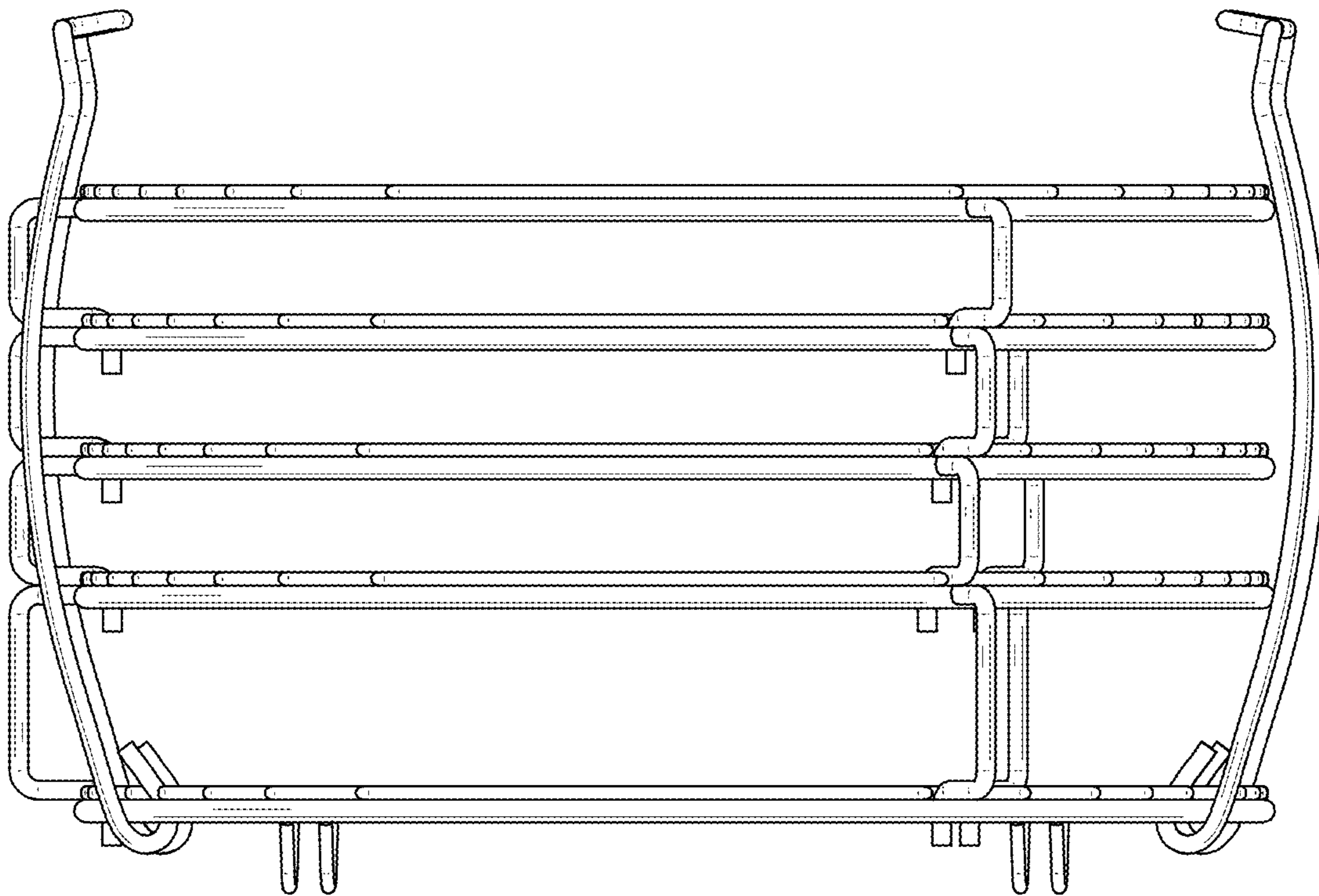


FIG. 4

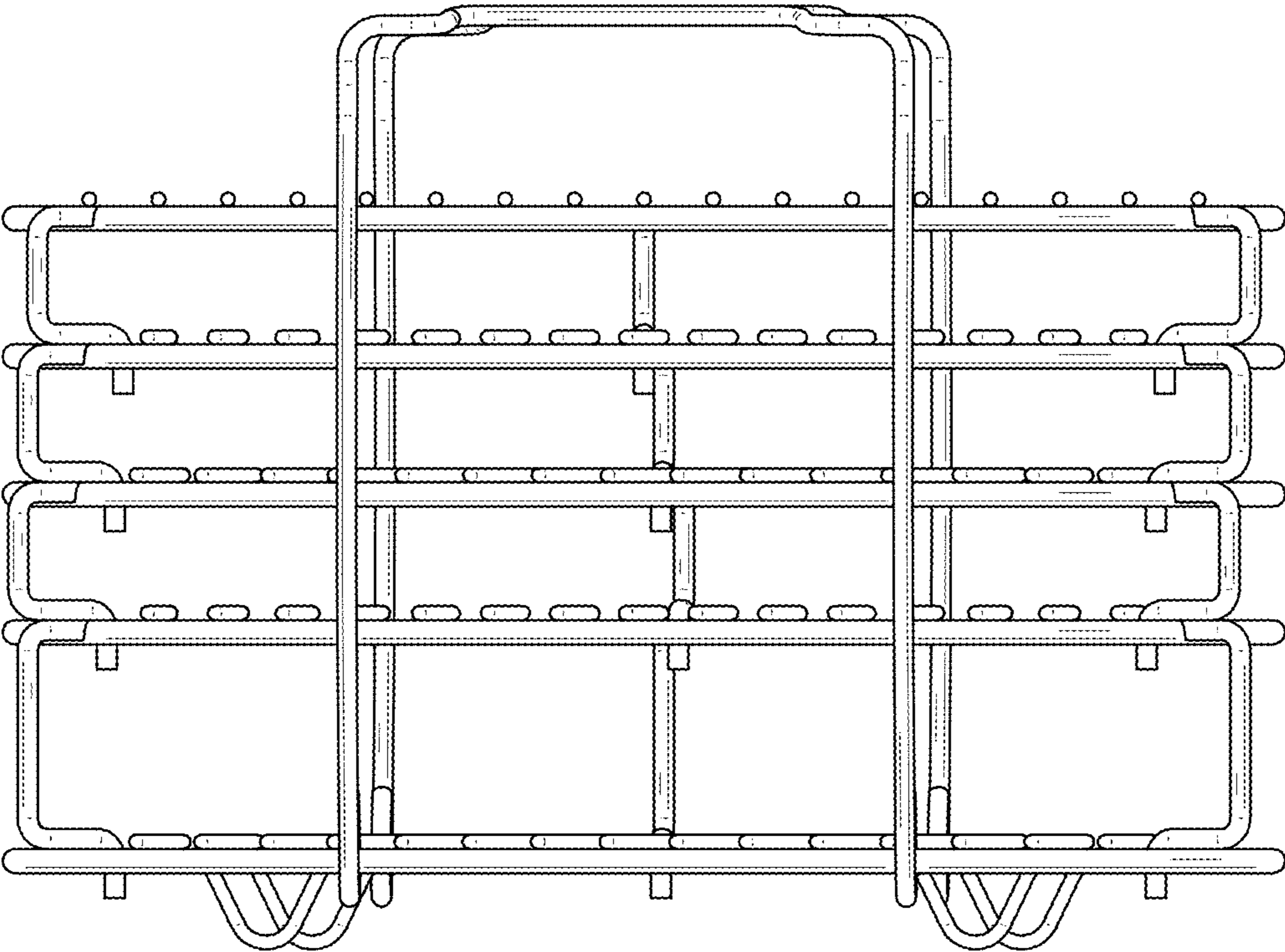


FIG. 5

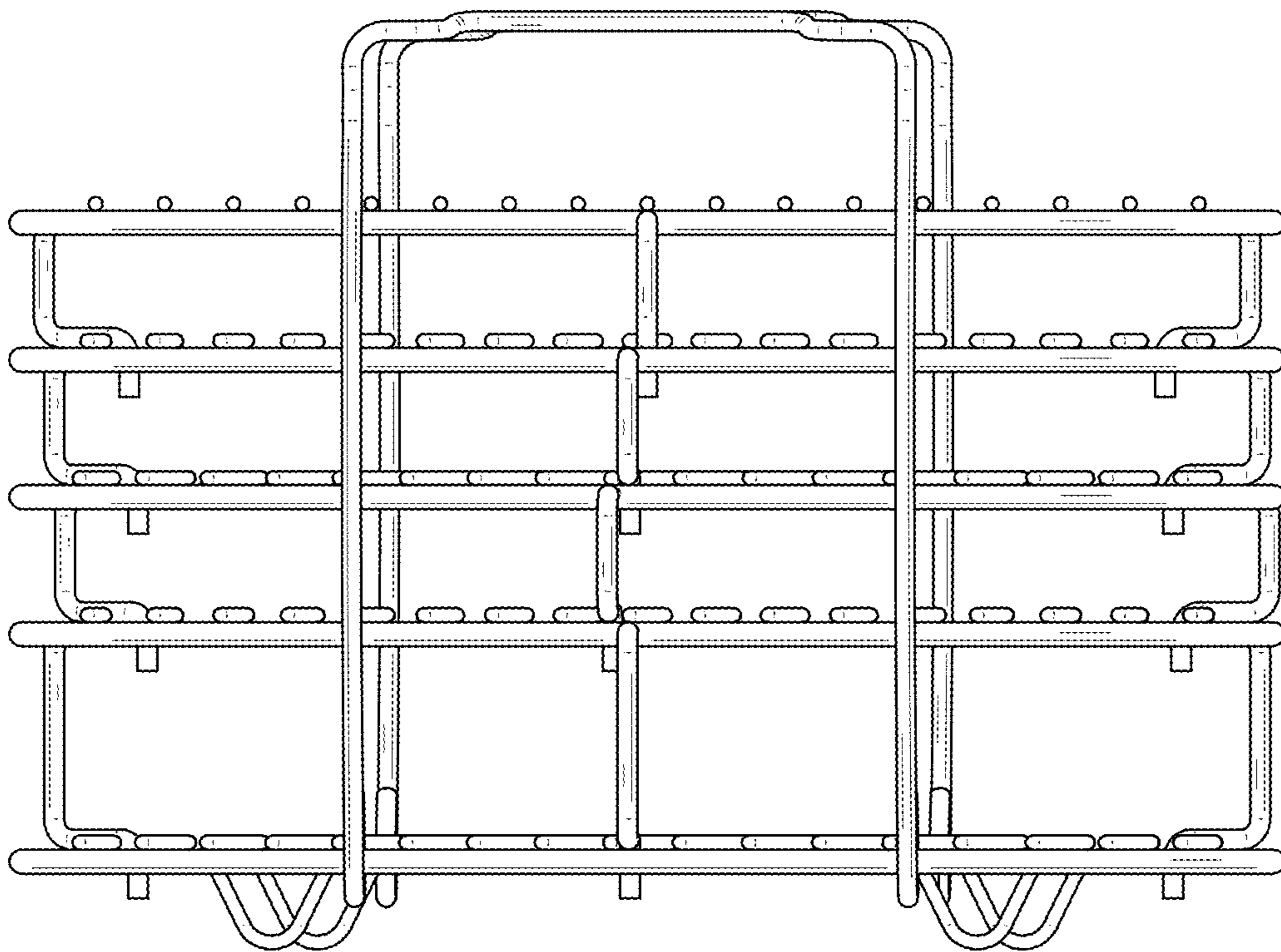


FIG. 6

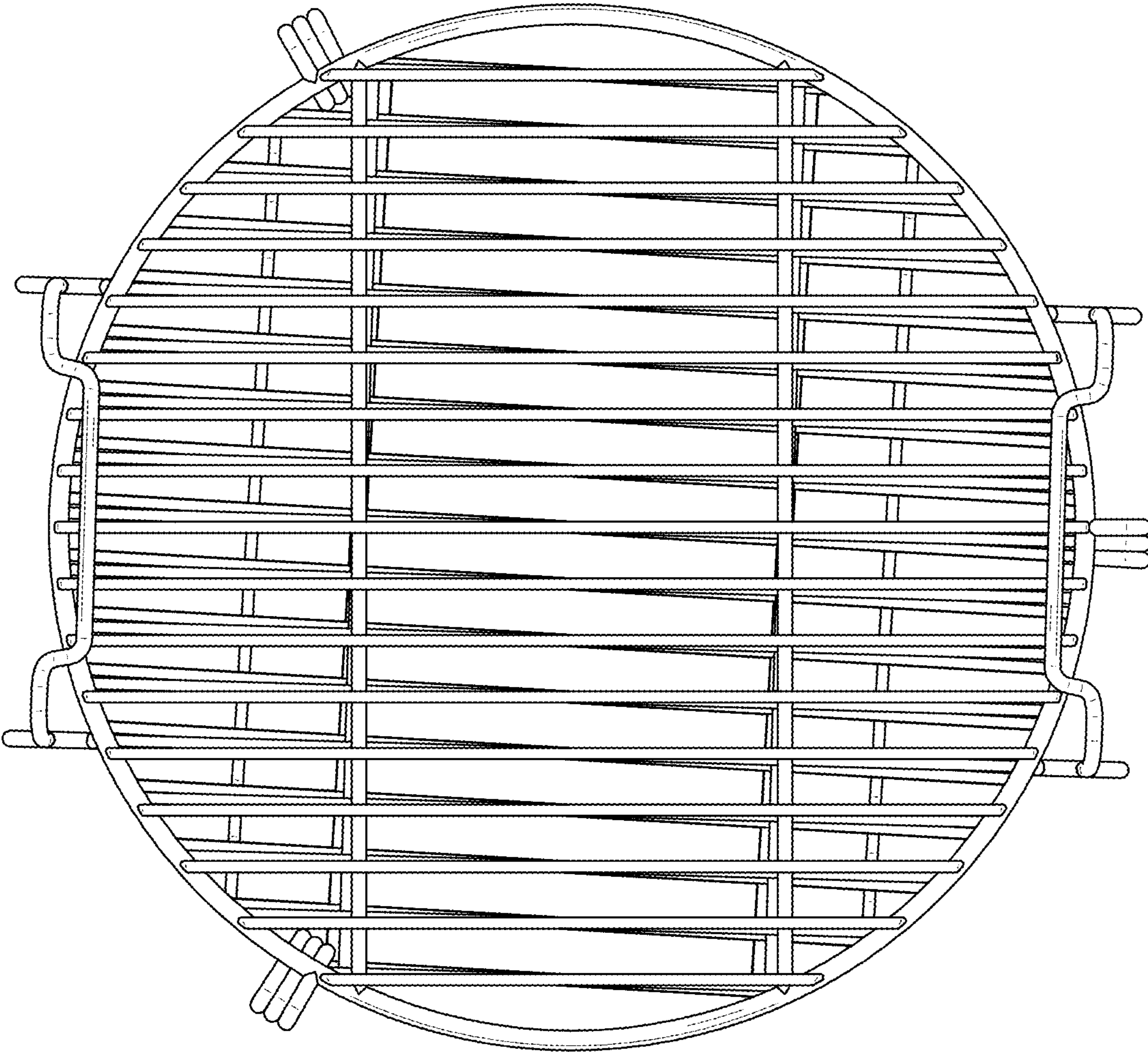


FIG. 7

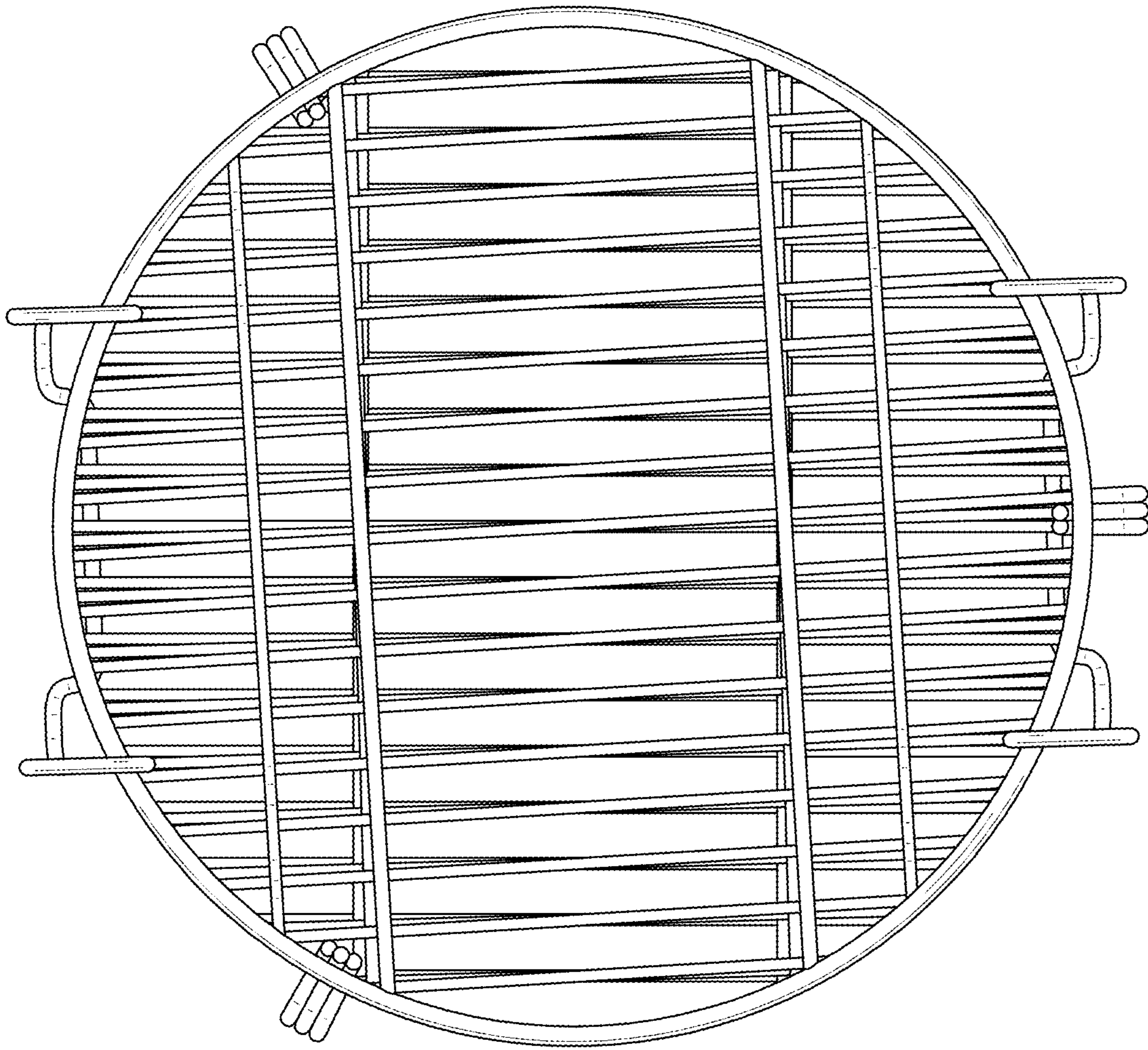


FIG. 8

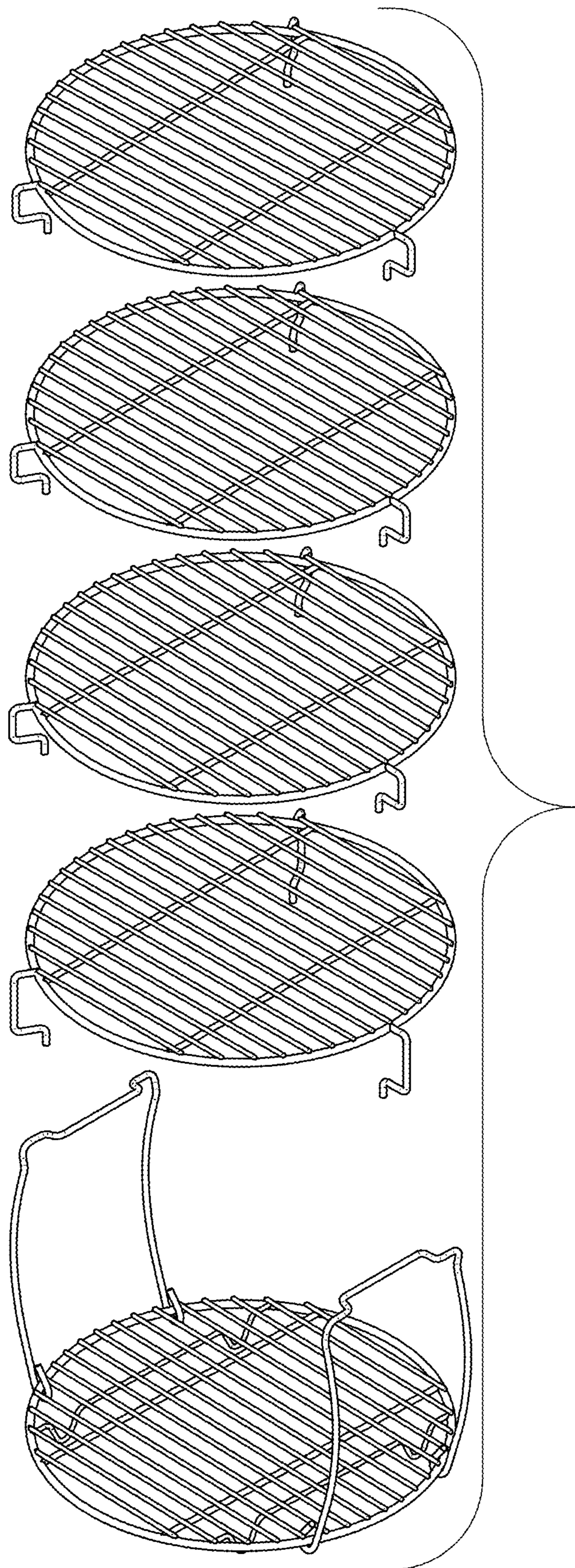


FIG. 9