



US00D880937S

(12) **United States Design Patent** (10) **Patent No.:** **US D880,937 S**
Berge (45) **Date of Patent:** **** Apr. 14, 2020**

(54) **SLOW COOKER TRAY**

(71) Applicant: **National Presto Industries, Inc.**, Eau Claire, WI (US)

(72) Inventor: **Michael R. Berge**, Eau Claire, WI (US)

(73) Assignee: **National Presto Industries, Inc.**, Eau Claire, WI (US)

(**) Term: **15 Years**

(21) Appl. No.: **29/597,567**

(22) Filed: **Mar. 17, 2017**

(51) **LOC (12) Cl.** **07-99**

(52) **U.S. Cl.**
USPC **D7/409**

(58) **Field of Classification Search**
USPC D7/213, 323, 337, 354, 355, 356, 357, D7/358, 359, 366, 367, 368, 667, 668, D7/669, 672, 688, 369, 381, 387, 397, D7/400, 402, 408, 409, 4, 12, 412; D9/424; D30/161; D6/331, 336, 338, D6/339, 341, 342; 108/21, 24, 25, 27; 206/557; D19/36, 65, 41, 42, 43, 44, 45, D19/46, 47, 48, 49, 50, 51

(Continued)

(56) **References Cited**

U.S. PATENT DOCUMENTS

4,033,461 A * 7/1977 Nevai A47J 47/20 108/24
D275,643 S 9/1984 Petterson
(Continued)

FOREIGN PATENT DOCUMENTS

DE 20 2016 103 774 U1 11/2017

OTHER PUBLICATIONS

(Via YouTube), available Oct. 9, 2017, [online], [site visited Oct. 23, 2018]. Video available from internet, <URL:https://www.youtube.com/watch?time_continue=8&v=0IHdwMuPNa0> (Year: 2017).*

(Continued)

Primary Examiner — Michael C Stout

Assistant Examiner — Katrina N Gonzalez

(74) *Attorney, Agent, or Firm* — Patterson Thuent Pedersen, P.A.

(57) **CLAIM**

I claim the ornamental design for a slow cooker tray, as shown and described.

DESCRIPTION

FIG. 1 is a front view of a slow cooker tray showing my new design.

FIG. 2 is a top view of the slow cooker tray depicted in FIG. 1.

FIG. 3 is a right side view of the slow cooker tray depicted in FIG. 1.

FIG. 4 is a rear view of the slow cooker tray depicted in FIG. 1.

FIG. 5 is a left side view of the slow cooker tray depicted in FIG. 1.

FIG. 6 is a bottom view of the slow cooker tray depicted in FIG. 1.

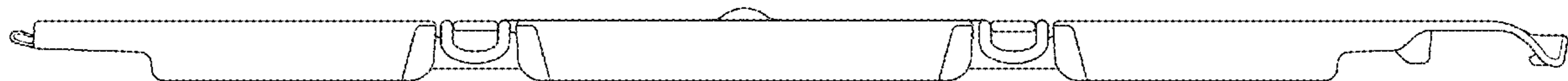
FIG. 7 is a front, perspective view of the slow cooker tray depicted in FIG. 1.

FIG. 8 is a front, perspective view of the slow cooker tray depicted in FIG. 1 in use with a slow cooker; and,

FIG. 9 is a rear, perspective view of the slow cooker tray depicted in FIG. 1 in use with a slow cooker.

The broken lines showing a slow cooker in FIGS. 8 and 9, illustrate an environmental structure that forms no part of the claimed design. The broken lines shown in FIGS. 5 and 6 illustrate portions of the slow cooker tray that form no part of the claimed design.

1 Claim, 8 Drawing Sheets



(58) **Field of Classification Search**

CPC A21B 2/00; A21B 3/00; A21B 3/13; A21B 3/15; A21B 5/00; A21B 5/02; A23N 12/06; A23N 12/08; A23N 12/10; A47J 37/00; A47J 37/04; A47J 37/041; A47J 37/042; A47J 37/06; A47J 37/0688; A47J 37/0694; A47J 37/07; A47J 37/0704; A47J 37/10; A47J 47/20; A47J 2037/00; A47J 2037/06; A47J 2037/0611; A47J 2037/07; A47J 2037/0786; A47J 2037/0795; A47J 39/00; A47J 27/004; A47J 27/002; B05C 17/02; B65D 1/34; F24C 15/10; F24C 15/12; F24C 15/14; F24C 15/16; F24C 15/164; F24C 15/18

See application file for complete search history.

(56) **References Cited**

U.S. PATENT DOCUMENTS

D425,767 S * 5/2000 Goslin D8/1
 D427,480 S 7/2000 Brady
 D451,335 S 12/2001 Rossman
 D506,225 S * 6/2005 Mills D19/77
 D636,629 S 4/2011 Jerstroem et al.
 D656,547 S * 3/2012 Cacioppo D19/65
 D708,486 S 7/2014 Terracciano
 D720,454 S * 12/2014 Sauer D24/145
 8,899,421 B2 * 12/2014 Veltrop B65D 83/0005
 206/564
 D738,106 S 9/2015 Shitrit
 D764,237 S 8/2016 Yen et al.
 D780,534 S 3/2017 Oliver
 D788,518 S 6/2017 Aggarwal
 D799,822 S 10/2017 Kanda et al.
 D801,684 S 11/2017 Chang

D802,924 S 11/2017 Mahanavanont
 D807,708 S 1/2018 Grepper et al.
 D808,228 S 1/2018 Weernink
 D824,199 S 7/2018 Liu et al.
 2003/0079949 A1 5/2003 Harvey
 2006/0283866 A1 * 12/2006 Mendenhall A47G 19/06
 220/575
 2007/0210061 A1 * 9/2007 Tynes A47J 27/004
 219/433
 2009/0090252 A1 * 4/2009 Ewald A47F 10/06
 99/483
 2010/0129502 A1 * 5/2010 Feinberg A47J 39/02
 426/231
 2013/0011537 A1 1/2013 Vahid
 2013/0228485 A1 9/2013 Roach et al.
 2016/0008973 A1 1/2016 Bensman et al.
 2018/0006362 A1 1/2018 Williams
 2018/0206664 A1 7/2018 Krasne
 2018/0209776 A1 7/2018 Sun et al.
 2018/0211069 A1 7/2018 Simpson
 2018/0263400 A1 9/2018 Berge

OTHER PUBLICATIONS

Available Jun. 17, 2017, [online], [site visited Oct. 23, 2018].
 Available from Internet, <URL:https://www.amazon.com/dp/B07222M9FK/?tag=natioprest-20> (Year: 2017).*
 Available Oct. 23, 2018, [online], [site visited Oct. 23, 2018].
 Available from Internet, <URL:https://www.gopresto.com/product/presto-6-quart-nomad-traveling-slow-cooker-06011> (Year: 2018).*
 Available Mar. 20, 2015, [online], [site visited Dec. 12, 2018].
 Available from Internet, <URL:https://www.youtube.com/watch?v=CCqTzPOPx6s> (Year: 2015).*
 Traveling Slow Cooker, Posted 2016 [Online], Retrieved Feb. 13, 2017, Retrieved from Internet, https://www.gopresto.com/products/products.php?stock=06011, 2 pages.

* cited by examiner



FIG. 1

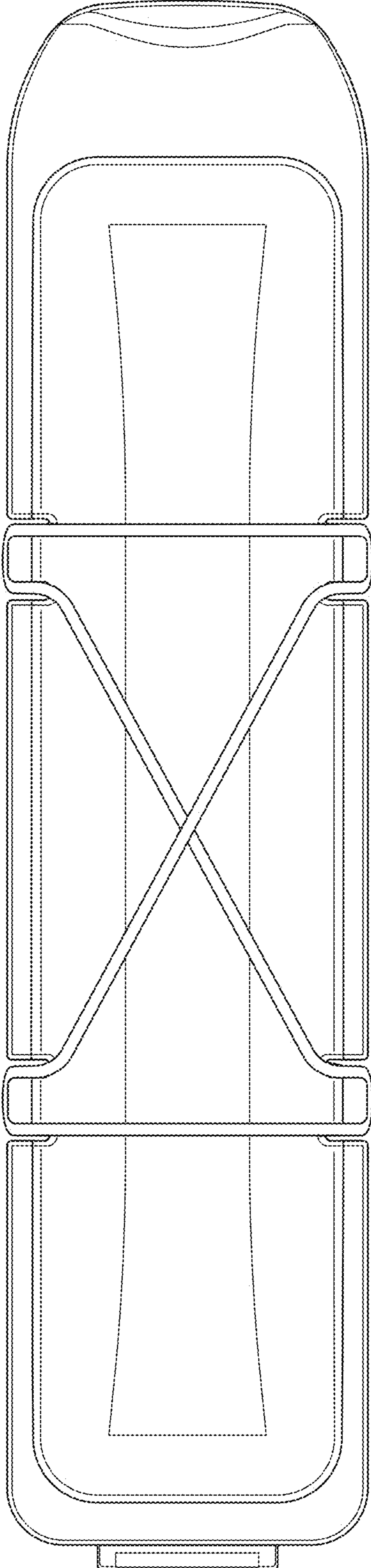


FIG. 2

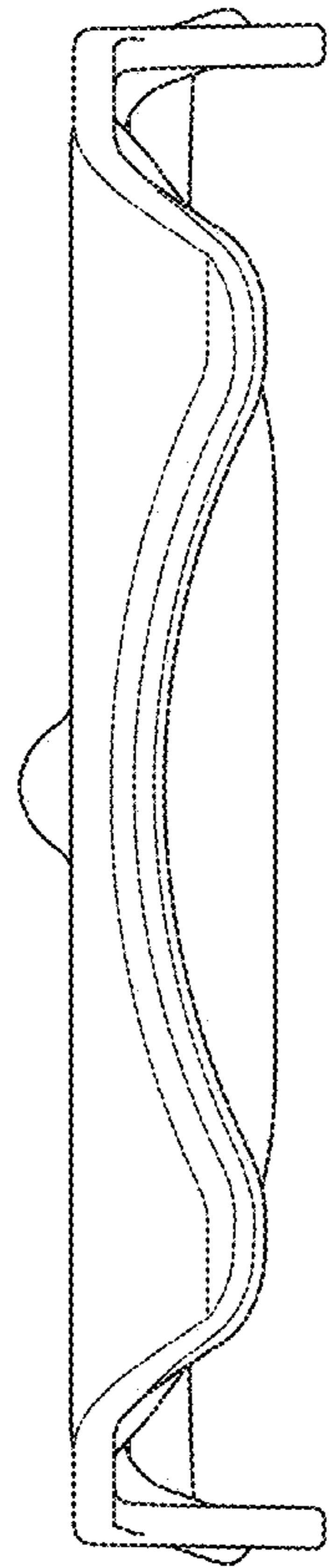


FIG. 3

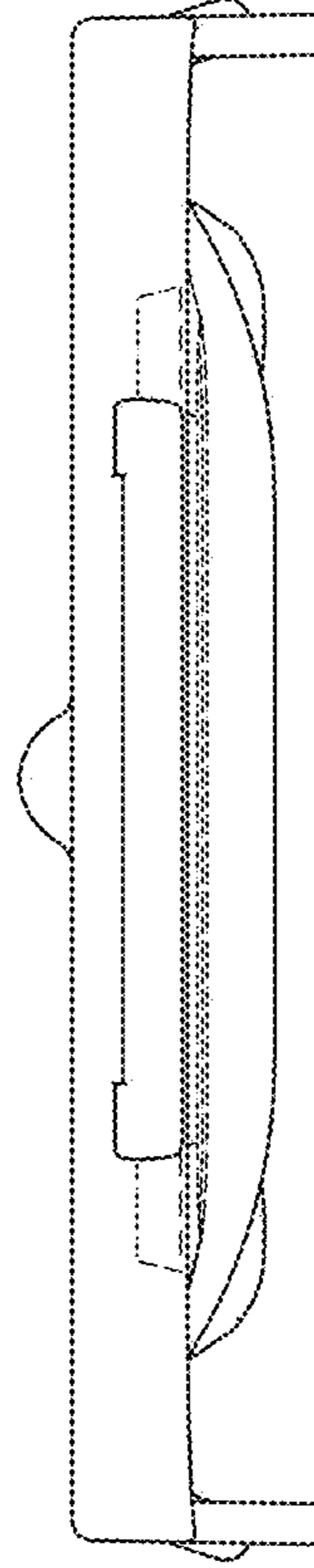


FIG. 5

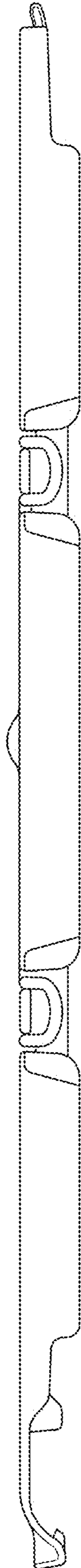


FIG. 4

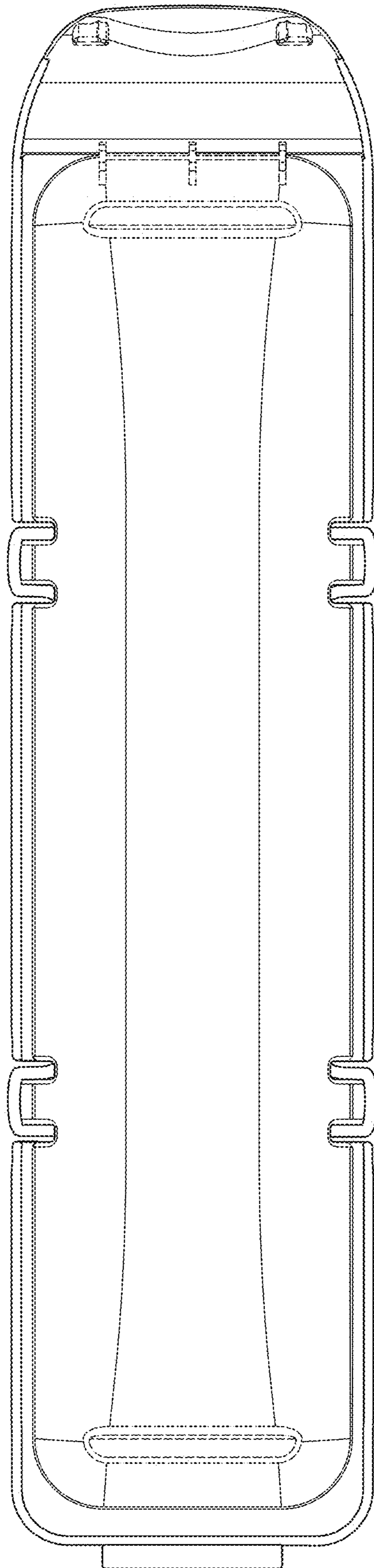


FIG. 6

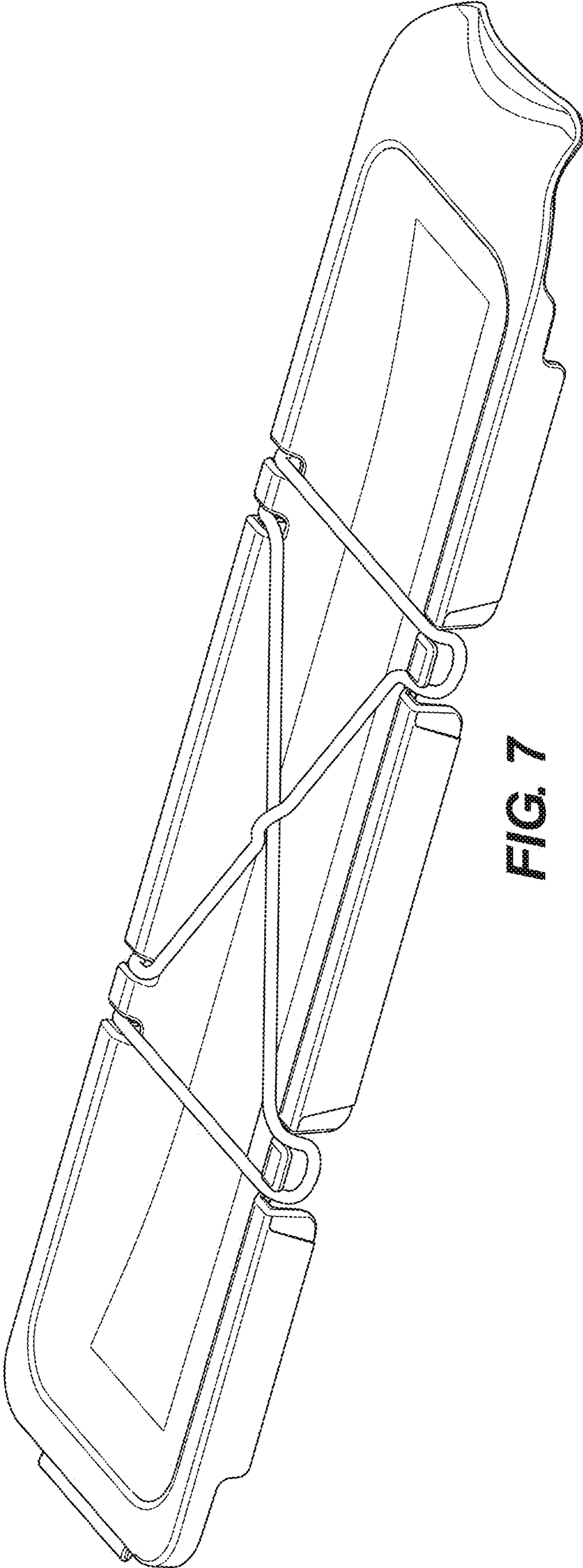


FIG. 7

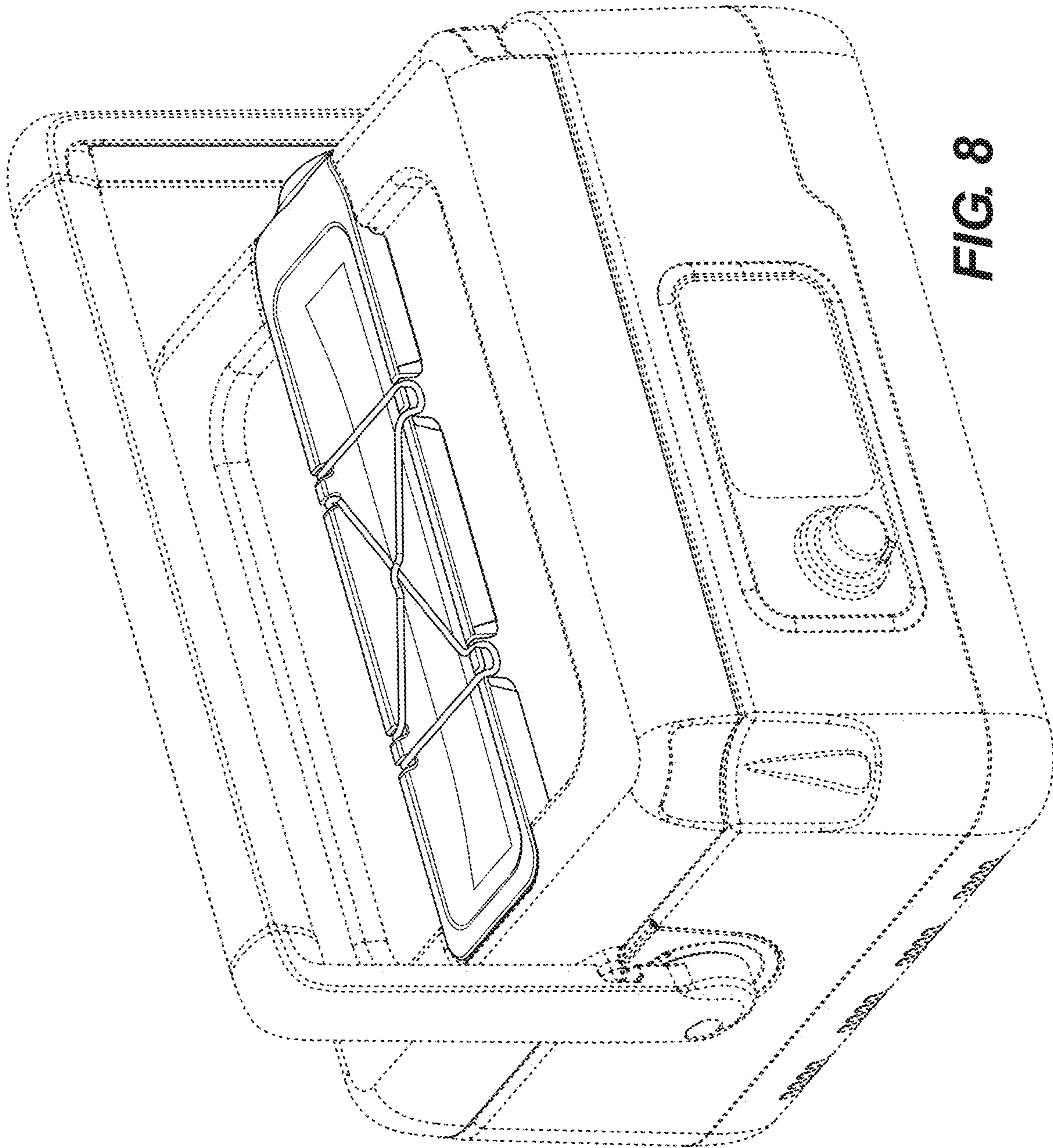


FIG. 8

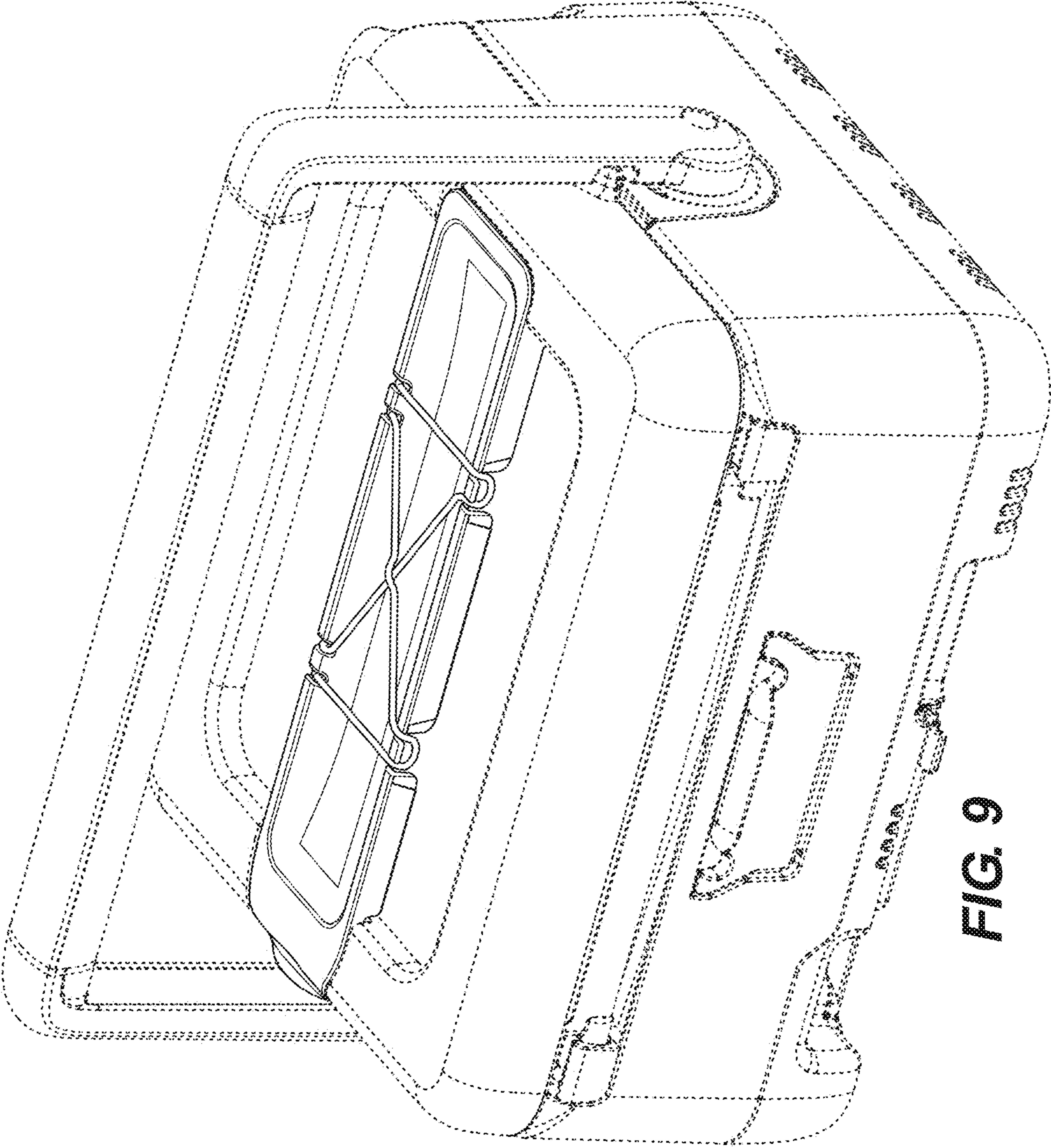


FIG. 9