



US00D880936S

(12) **United States Design Patent**
Rollins

(10) **Patent No.:** **US D880,936 S**
(45) **Date of Patent:** **** Apr. 14, 2020**

(54) **DRINKING VESSEL WITH STONES**

(71) Applicant: **Donna Elizabeth Rollins**, Temple, NH
(US)

(72) Inventor: **Donna Elizabeth Rollins**, Temple, NH
(US)

(**) Term: **15 Years**

(21) Appl. No.: **29/670,035**

(22) Filed: **Nov. 13, 2018**

Related U.S. Application Data

(63) Continuation-in-part of application No. 29/454,697,
filed on May 13, 2013.

(51) **LOC (12) Cl.** **07-01**

(52) **U.S. Cl.**
USPC **D7/394; D7/393; D7/396.2**

(58) **Field of Classification Search**
USPC **D7/507, 509, 510, 511, 392.1, 396.2,**
D7/400, 398, 213, 393, 394, 397, 514,
D7/515, 389, 581, 401.1, 602, 600.1, 387,
D7/524, 528; 220/200, 703; D9/434,
D9/435, 436, 447, 448, 635, 440, 439,
D9/450, 446, 443; D24/197; D21/385,
D21/386, 390; D99/34, 35; D11/1, 2, 3,
D11/4, 6, 16, 17, 34, 38, 79; D8/107,
D8/300

CPC **B65D 41/56; B65D 41/04; B65D 41/0414;**
A47J 43/27; A45F 3/16; A61J 11/02;
A61J 9/02; A61J 11/045

See application file for complete search history.

(56) **References Cited**

U.S. PATENT DOCUMENTS

D55,788 S * 7/1920 Griffin D11/6
1,668,217 A * 5/1928 Schrayssshuen A44C 11/007
63/11
D76,857 S * 11/1928 Dubassoff D10/32

D130,343 S * 11/1941 Reinstein D11/17
D142,887 S * 11/1945 Millard D11/4
D161,712 S 1/1951 Roop
D172,613 S * 7/1954 Katz D11/6
D173,573 S * 11/1954 Katz D11/16
2,920,442 A * 1/1960 Kunzmann A44C 5/02
59/80
4,435,084 A 3/1984 Calhoun et al.
D277,354 S * 1/1985 Levine 215/6
D290,938 S * 7/1987 Bulgari D11/3
D293,561 S * 1/1988 Bulgari D11/3
D294,472 S * 3/1988 Bulgari D11/27

(Continued)

OTHER PUBLICATIONS

https://www.amazon.com/SOURCE-Genuine-Freshwater-Cultured-Pearl/dp/B00LLIY2AO/ref=sr_1_200?keywords=infinity+pearl+ring&qid=1564152363&s=gateway&sr=8-200 (Year: 2014).*

(Continued)

Primary Examiner — Marianne N Pandozzi

Assistant Examiner — Jae Liang

(74) *Attorney, Agent, or Firm* — Lando & Anastasi, LLP

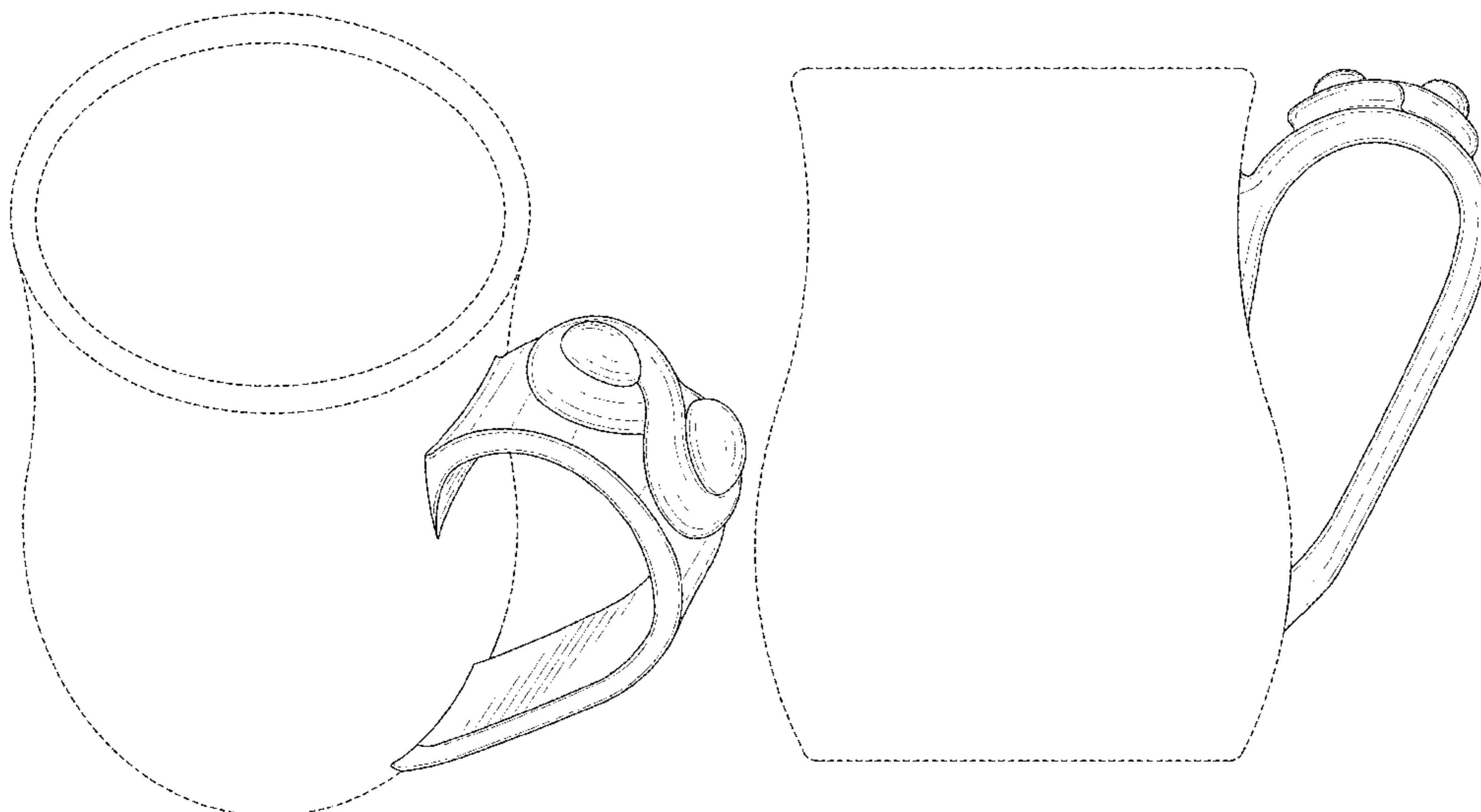
(57) **CLAIM**

The ornamental design for a drinking vessel with stones, as shown and described.

DESCRIPTION

FIG. 1 is perspective view of a drinking vessel with stones showing my new design;
FIG. 2 is a front elevational view thereof;
FIG. 3 is a rear elevational view thereof;
FIG. 4 is a top plan view thereof;
FIG. 5 is a bottom plan view thereof;
FIG. 6 is a right side elevational view thereof; and,
FIG. 7 is a left side elevational view thereof.
The broken lines shown in the figures represent unclaimed portions of the drinking vessel and form no part of the claimed design.

1 Claim, 7 Drawing Sheets



(56)

References Cited

U.S. PATENT DOCUMENTS

D304,889 S 12/1989 Stymeist
 D319,412 S * 8/1991 Bulgari D11/16
 D336,825 S 6/1993 Ivey
 D369,569 S * 5/1996 Kaufmann D11/4
 5,626,248 A 5/1997 McConnell et al.
 D383,697 S 9/1997 Bulgari
 D386,438 S * 11/1997 Itzkowitz D11/34
 D386,942 S 12/1997 McConnell
 D389,769 S * 1/1998 Morrison D11/16
 D392,204 S * 3/1998 Morrison D11/6
 D398,558 S 9/1998 LaBorde et al.
 5,961,004 A 10/1999 DeMars
 D426,109 S 6/2000 Freed
 D440,815 S 4/2001 Freed
 D451,360 S 12/2001 Nesseth
 D451,422 S 12/2001 Wenrich
 D462,579 S 9/2002 Janky
 D462,876 S 9/2002 Janky et al.
 6,471,390 B1 10/2002 Cuthbertson et al.
 D475,290 S 6/2003 Cooper
 D475,292 S 6/2003 Cooper
 D475,624 S 6/2003 Cooper
 D486,997 S 2/2004 Janky
 D488,028 S 4/2004 Janky et al.
 D491,022 S 6/2004 Bodum
 D493,332 S 7/2004 Bin
 D494,814 S 8/2004 Cintron et al.
 D499,042 S 11/2004 Schnur
 D507,153 S 7/2005 Trombly
 D517,890 S 3/2006 Collins et al.
 D517,895 S 3/2006 Chen
 D533,332 S * 12/2006 Choi D2/946
 D541,692 S 5/2007 Daas
 D543,127 S 5/2007 Daas
 D575,654 S * 8/2008 Maier D11/3
 D578,351 S 10/2008 Pearson
 D602,799 S * 10/2009 Colombani D11/3

D608,133 S 1/2010 Choi
 D614,526 S * 4/2010 Vagal D11/34
 D627,251 S * 11/2010 Papadimitriou D11/34
 D630,963 S * 1/2011 Papadimitriou D11/4
 D640,948 S 7/2011 Quigley
 D653,150 S * 1/2012 Croak D11/6
 D653,991 S * 2/2012 Sandberg D11/1
 D665,292 S * 8/2012 Jackson D11/1
 D688,152 S * 8/2013 Kala D11/79
 D691,505 S * 10/2013 Fillon D11/3
 D691,508 S 10/2013 Fillon
 D694,662 S * 12/2013 Buckley D11/3
 D705,111 S * 5/2014 Namazy D11/27
 D705,112 S * 5/2014 Namazy D11/27
 D723,968 S 3/2015 Slimane
 D724,376 S * 3/2015 Williamson D7/394
 D726,570 S * 4/2015 Puterman D11/3
 D727,786 S * 4/2015 Shlakman D11/26
 D732,993 S * 6/2015 Shabot D11/1
 D734,684 S * 7/2015 Barresi D11/3
 D734,685 S * 7/2015 Barresi D11/3
 D737,631 S 9/2015 White et al.
 D749,262 S 2/2016 Schoenfeld
 D749,976 S * 2/2016 Barresi D11/3
 D759,528 S * 6/2016 Stepper D11/4
 D783,443 S * 4/2017 Bresser D11/1
 D784,177 S 4/2017 Kaiser
 D806,603 S * 1/2018 Gaynes D11/34
 D811,177 S * 2/2018 Marshall D7/707
 D834,982 S * 12/2018 Amfitheatrof D11/4
 2013/0320027 A1 12/2013 Casillas

OTHER PUBLICATIONS

<https://www.evesaddiction.com/2-stone-sterling-silver-infinity-birthstone-ring/RGZ11436> (Year: 2017).*
<https://offbeatbride.com/engagement-rings-without-stones/> (Year: 2013).*

* cited by examiner

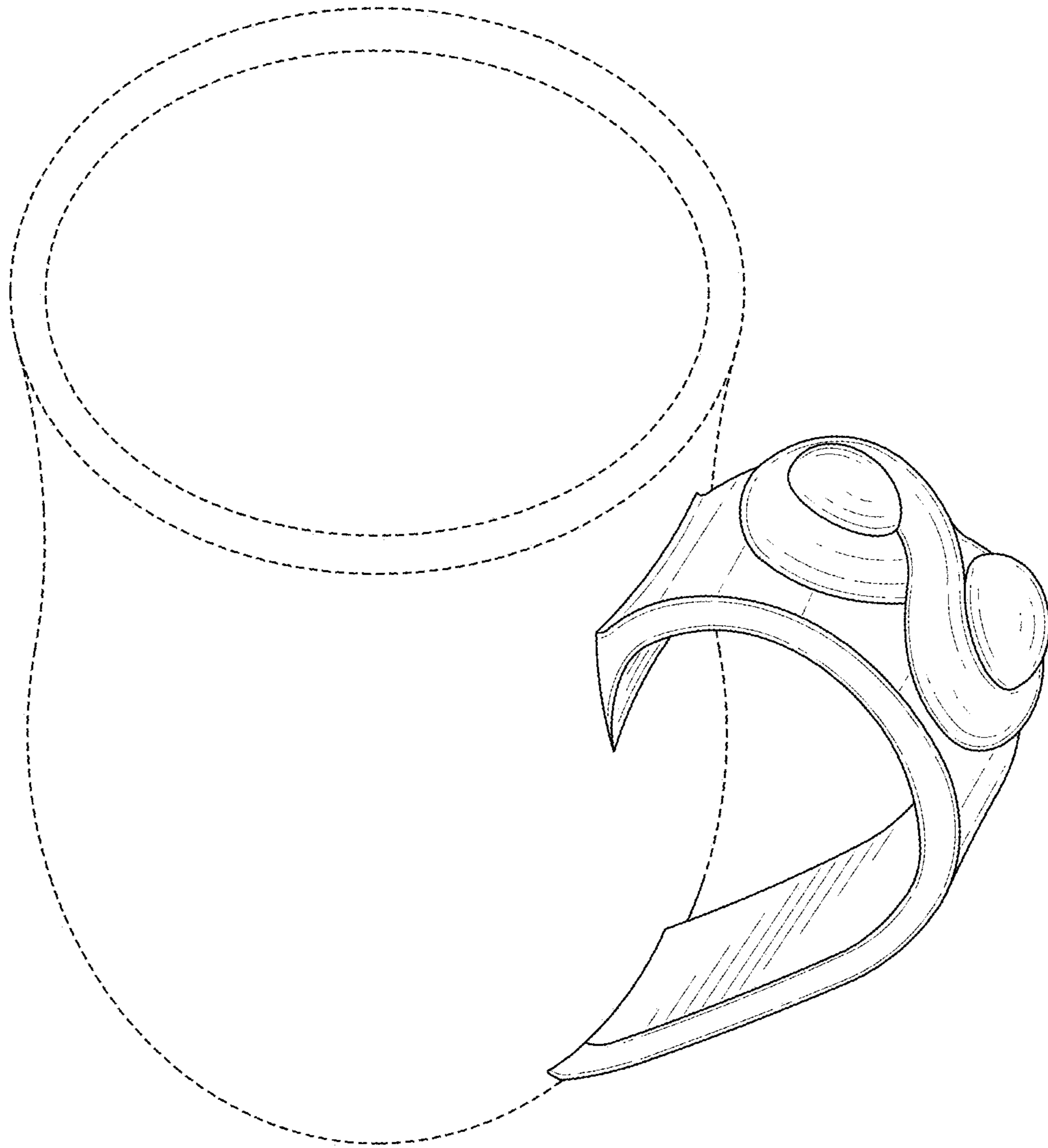


FIG. 1

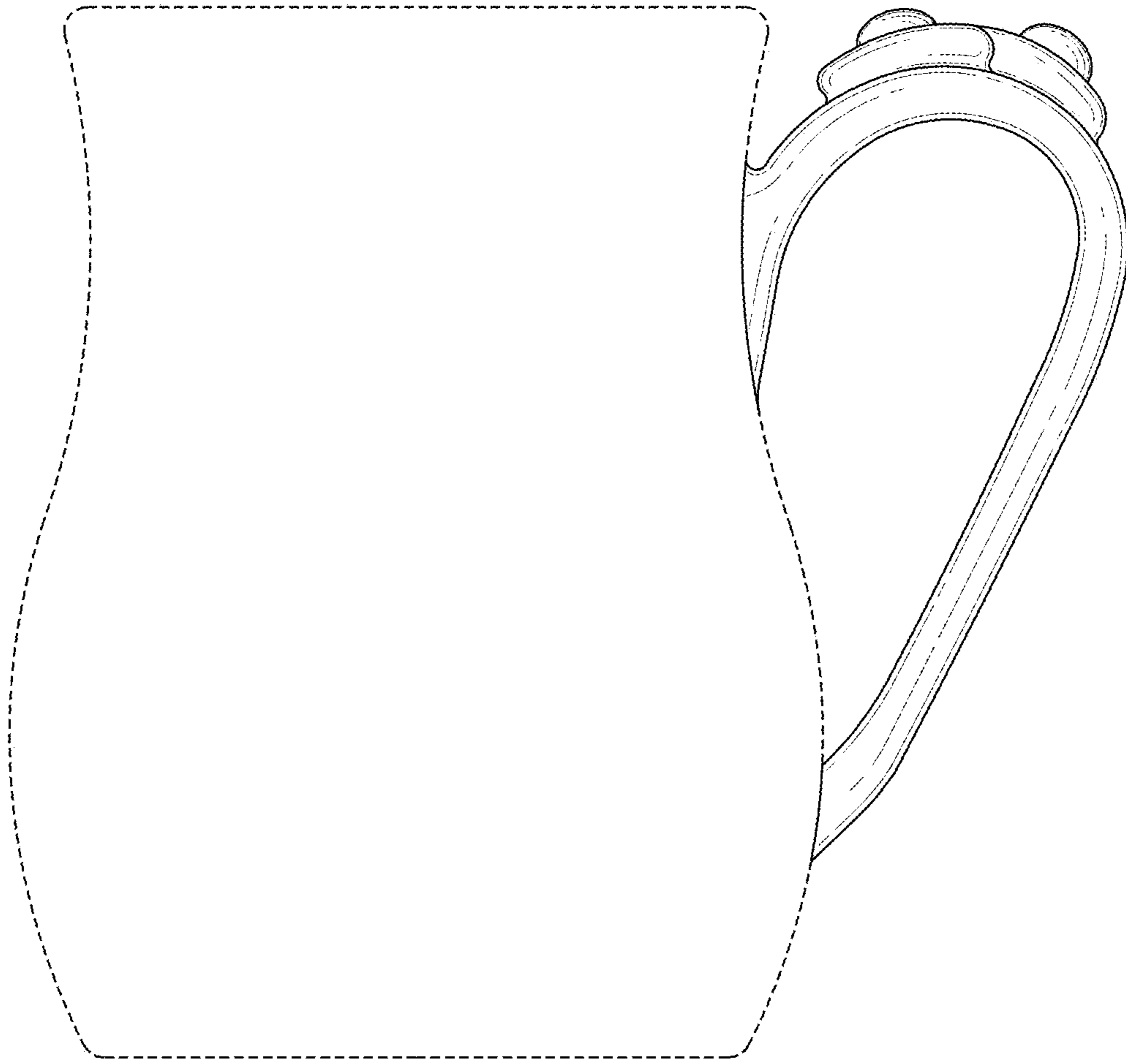


FIG. 2

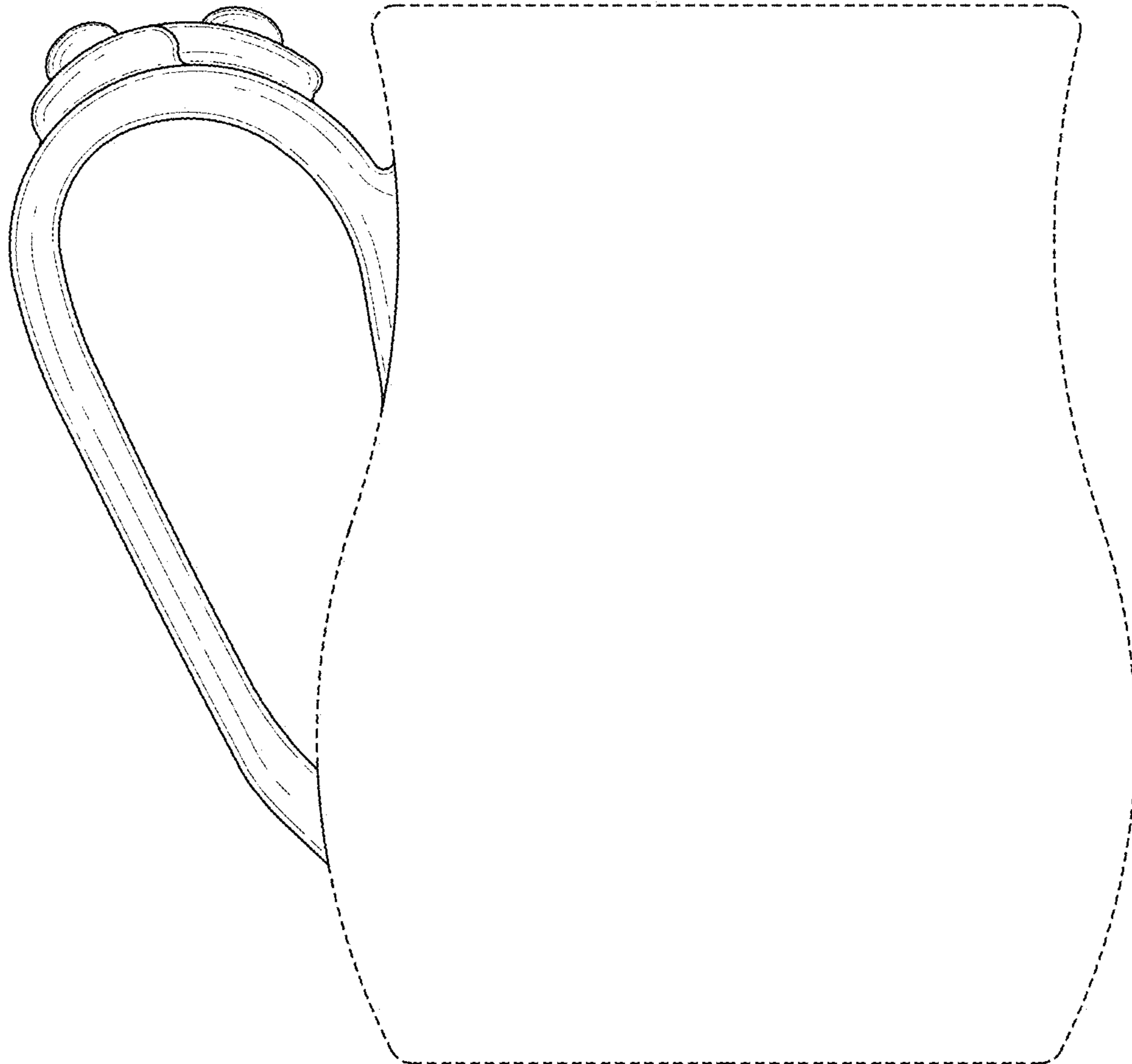


FIG. 3

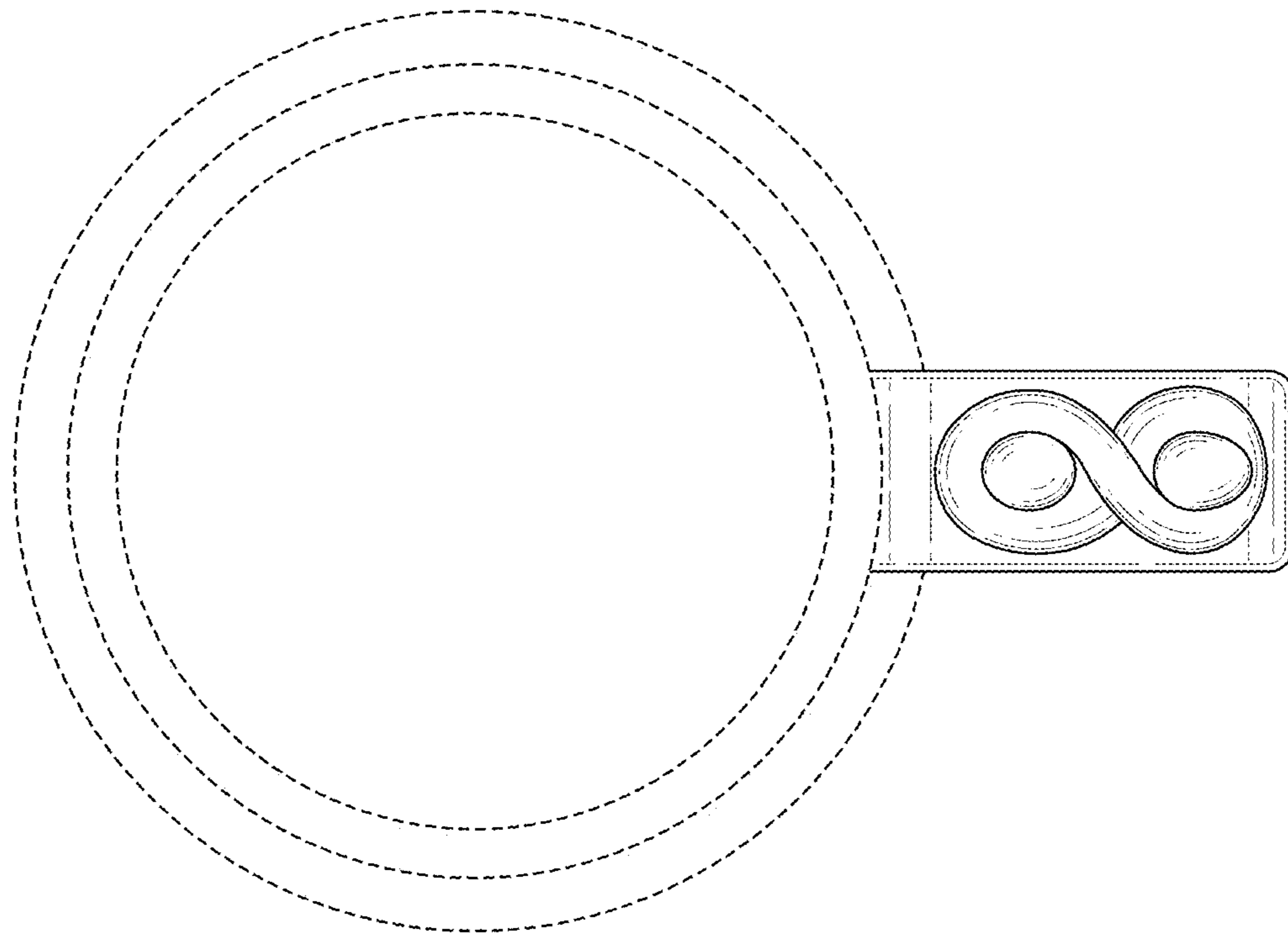


FIG. 4

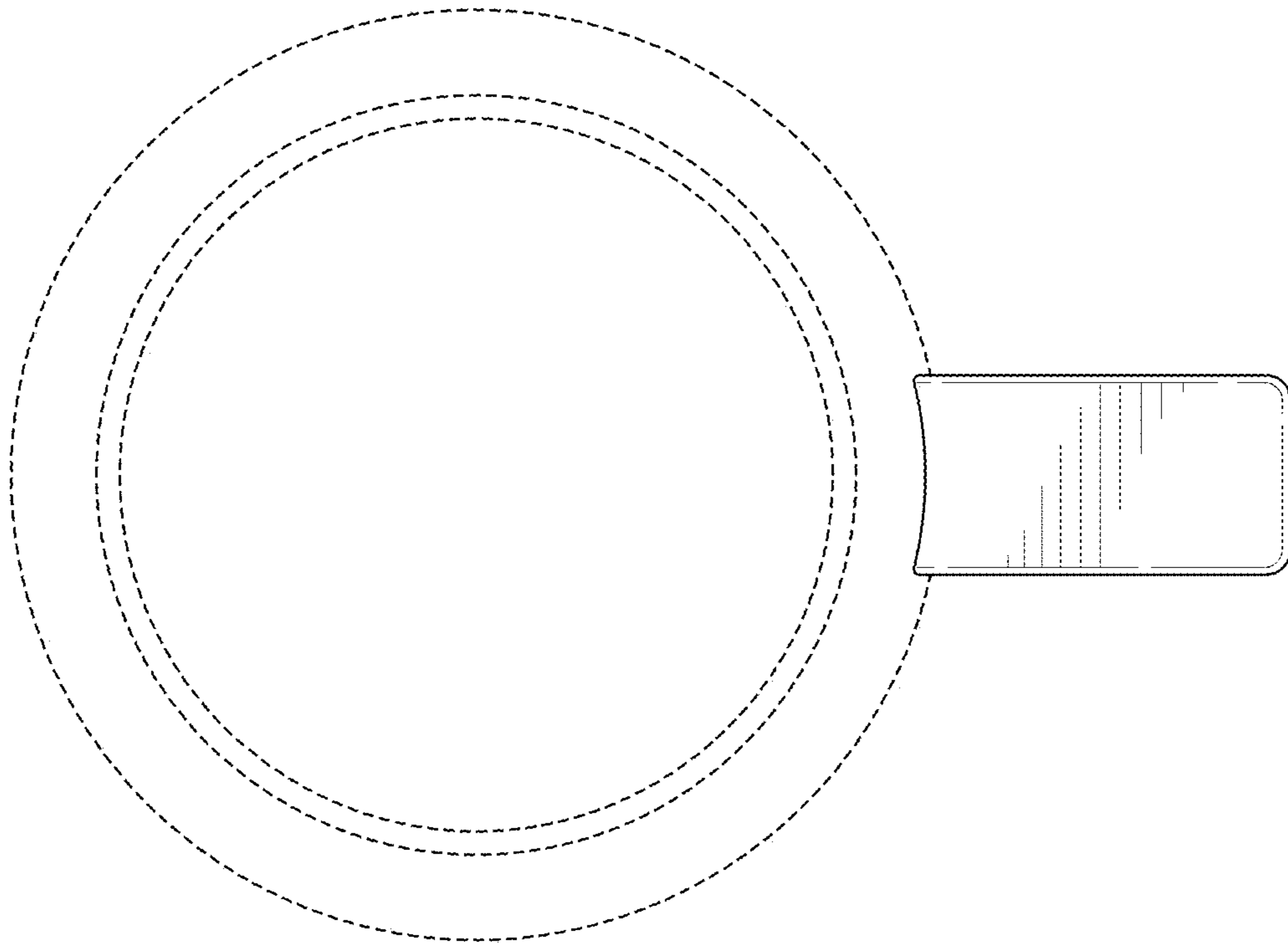


FIG. 5

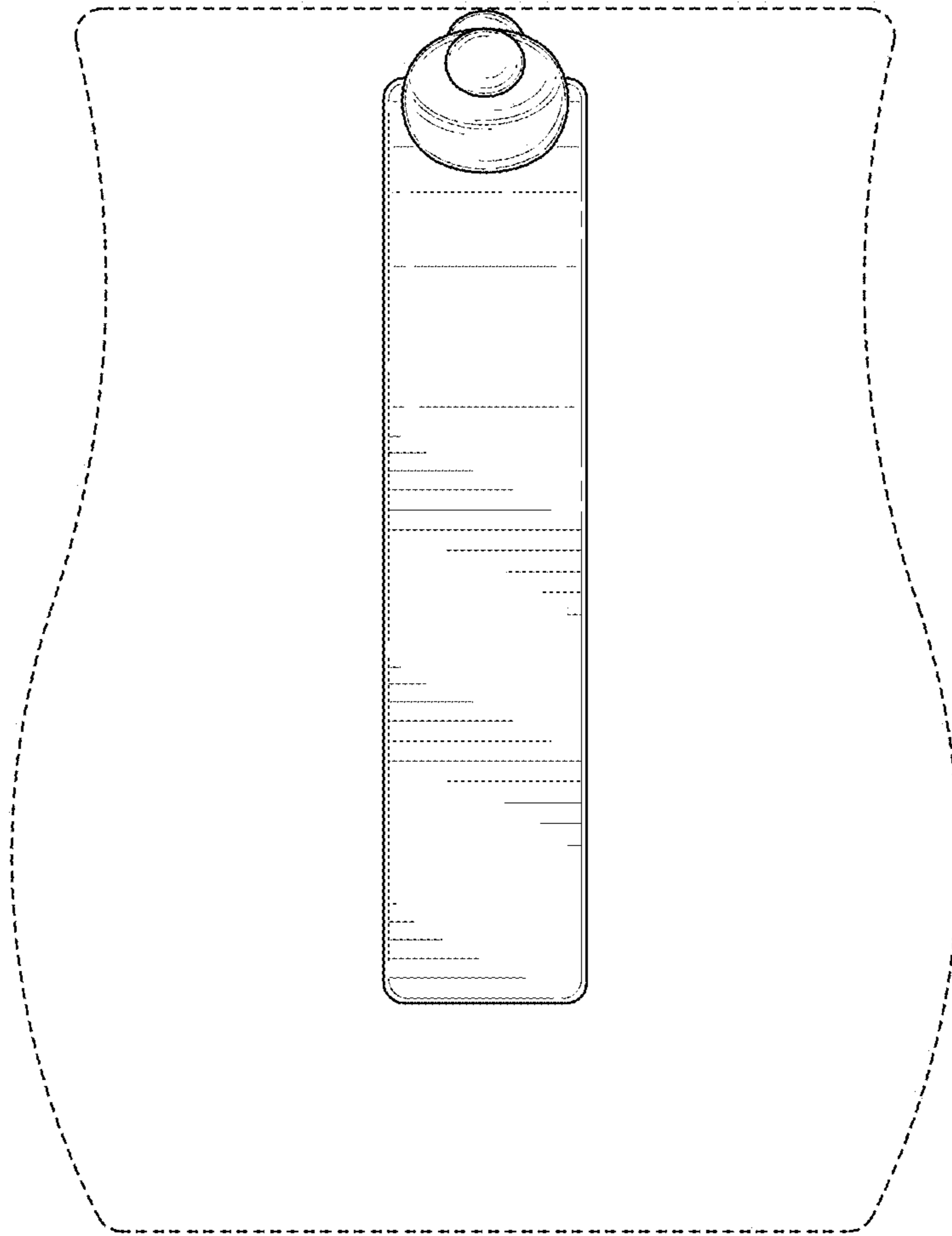


FIG. 6

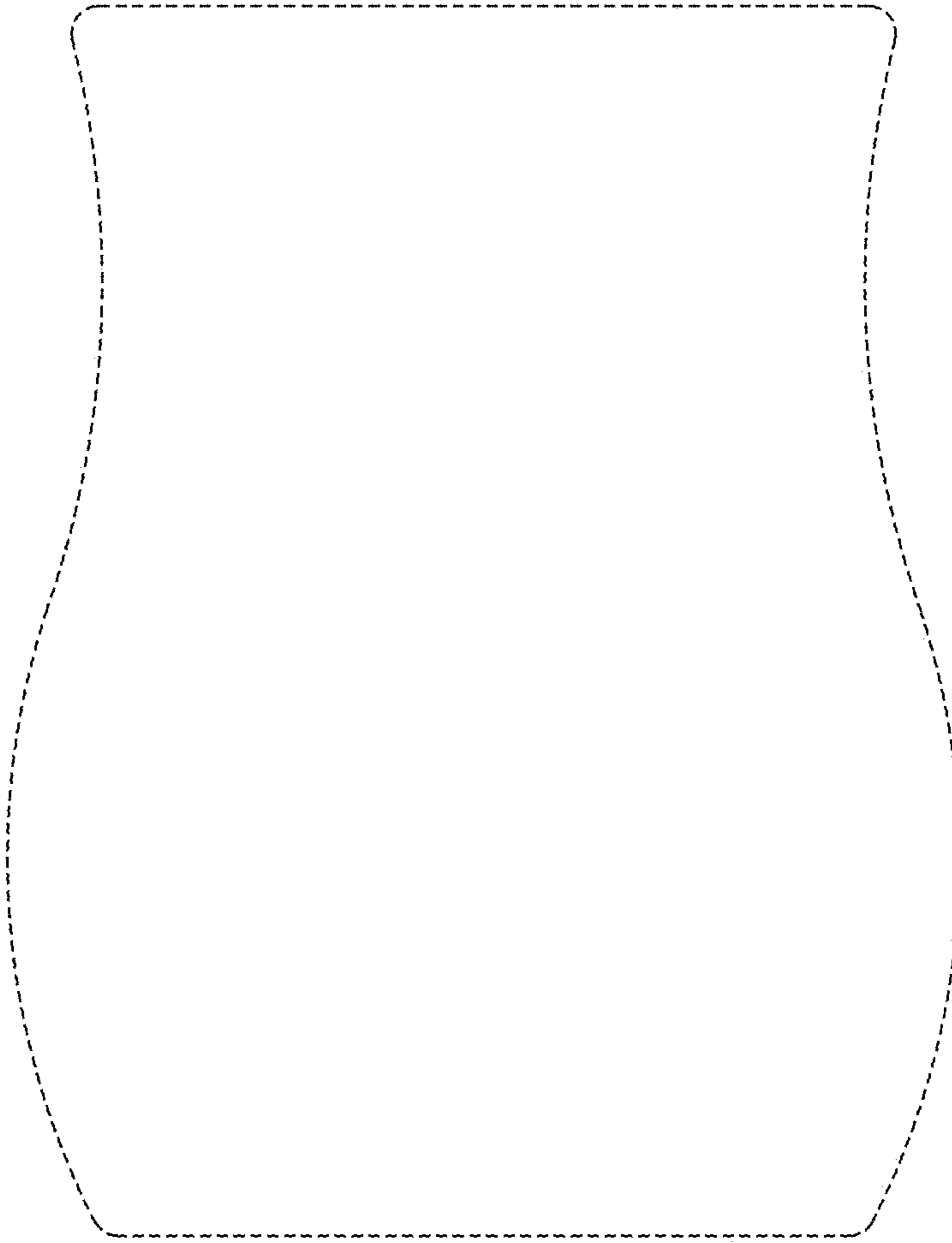


FIG. 7