



US00D880935S

(12) **United States Design Patent** (10) **Patent No.:** **US D880,935 S**  
**Hollinger** (45) **Date of Patent:** **\*\* Apr. 14, 2020**

- (54) **STACKABLE PIECE OF COOKWARE** 2,199,687 A 5/1940 Blankenship
- 2,624,487 A 1/1953 Fry
- (71) Applicant: **E. MISHAN & SONS, INC.**, New York, NY (US) 3,641,920 A 2/1972 Kraft et al.
- 4,204,609 A 5/1980 Kuhn
- 5,022,550 A \* 6/1991 Ruiz ..... A47J 36/06 206/514
- (72) Inventor: **Fred Hollinger**, Monroe Township, NJ (US) 5,253,758 A 10/1993 Bissell, II
- D349,420 S 8/1994 Hasuike
- D358,062 S 5/1995 Hasuike
- (73) Assignee: **E. MISHAN & SONS, INC.**, New York, NY (US) 5,660,300 A \* 8/1997 Demetrio ..... A47J 37/10 16/425
- (\*\*) Term: **15 Years** 6,237,775 B1 5/2001 Hatch et al.
- 7,347,327 B2 3/2008 Lobman et al.
- D639,108 S \* 6/2011 Molayem ..... D7/354

(Continued)

(21) Appl. No.: **29/678,413**

(22) Filed: **Jan. 29, 2019**

**Related U.S. Application Data**

- (62) Division of application No. 29/675,505, filed on Jan. 2, 2019.
- (51) **LOC (12) Cl.** ..... **07-02**
- (52) **U.S. Cl.**  
USPC ..... **D7/393**
- (58) **Field of Classification Search**  
USPC ..... D7/354-361, 393-395, 401.2, 664  
CPC ..... A47J 45/06; A47J 45/061; A47J 45/62;  
A47J 45/071; A47J 45/072; A47J 45/08;  
A47J 45/085; A47J 27/12; B62D 21/00;  
B62D 21/02; B62D 21/0202; B62D  
21/0212  
See application file for complete search history.

(56) **References Cited**

**U.S. PATENT DOCUMENTS**

- 1,268,017 A 5/1918 Knight
- 2,037,807 A 4/1936 Lockwood
- 2,058,807 A 10/1936 Lockwood
- 2,222,584 A 4/1937 Oltman
- 2,116,487 A 5/1938 Jackson
- 2,116,489 A 5/1938 Jackson

**FOREIGN PATENT DOCUMENTS**

- AU 41207/78 10/1978
- CA 1255240 6/1989

(Continued)

*Primary Examiner* — Cynthia M. Chin

(74) *Attorney, Agent, or Firm* — Notaro, Michalos & Zaccaria P.C.

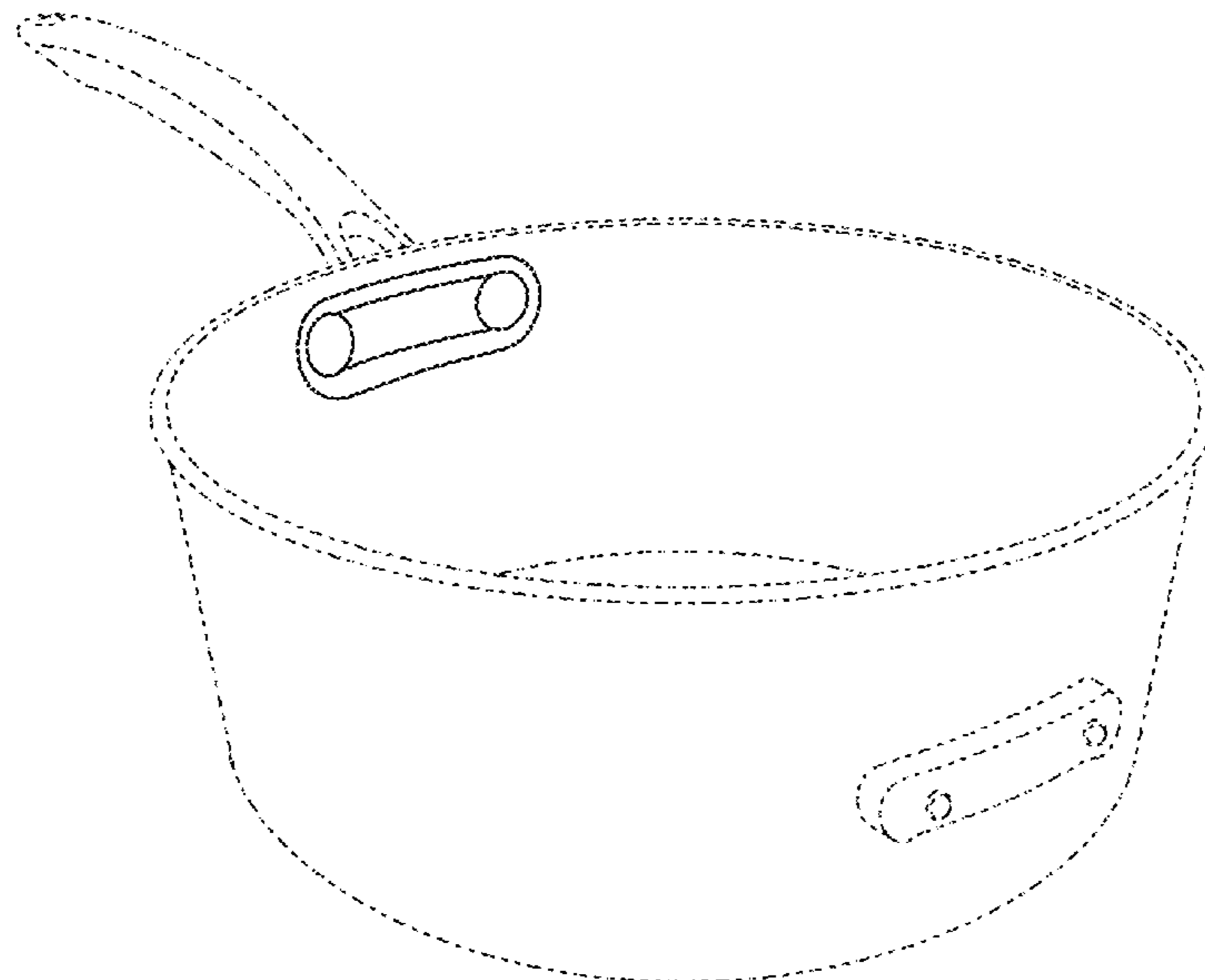
(57) **CLAIM**

The ornamental design for stackable piece of cookware, as shown and described.

**DESCRIPTION**

FIG. 1 is a front, right, top, perspective view of stackable piece of cookware showing my new design therefor; FIG. 2 is a rear, top, right perspective view thereof; FIG. 3 is a side elevational view thereof; FIG. 4 is a front elevational view thereof; FIG. 5 is a rear elevational view thereof; FIG. 6 is a top plan view thereof; and, FIG. 7 is a bottom plan view thereof. The broken lines are for the purpose of illustrating portions of the article that form no part of the claim.

**1 Claim, 7 Drawing Sheets**



(56)

References Cited

U.S. PATENT DOCUMENTS

D639,109 S \* 6/2011 Molayem ..... D7/354  
8,272,531 B2 \* 9/2012 Cuillery ..... A42B 3/322  
206/514  
8,413,840 B2 4/2013 Metaxatos et al.  
10,106,296 B2 \* 10/2018 LePinske ..... B65D 21/0233  
2003/0167932 A1 9/2003 Chen  
2007/0119744 A1 \* 5/2007 Metaxatos ..... A47J 45/061  
206/514  
2008/0179211 A1 \* 7/2008 Kutsch ..... A47J 45/07  
206/514  
2009/0049650 A1 2/2009 Cuillery et al.  
2010/0230319 A1 \* 9/2010 Thomson ..... A47J 27/122  
206/514  
2011/0056957 A1 3/2011 Cheng  
2013/0098920 A1 4/2013 Lee  
2013/0306646 A1 11/2013 Cheng

2017/0197755 A1 \* 7/2017 LePinske ..... B65D 21/0233  
2017/0247143 A1 8/2017 Gossens et al.  
2018/0170615 A1 \* 6/2018 Jacobson ..... B65D 21/0233  
2019/0142207 A1 \* 5/2019 Hollinger ..... A47J 27/12

FOREIGN PATENT DOCUMENTS

DE 8615346 10/1987  
DE 4330653 A1 10/1994  
DE 40008484-0004 9/2000  
DE 40008484-0022 9/2000  
DE 40200009-0006 1/2002  
DE 40200009-0008 1/2002  
DE 40200009-0009 1/2002  
DE 40502400-0010 5/2005  
DE 102009023000 A1 12/2010  
DE 3210503 A1 8/2017  
EM 003742733-0006 2/2017  
WO 2006/100367 3/2006

\* cited by examiner

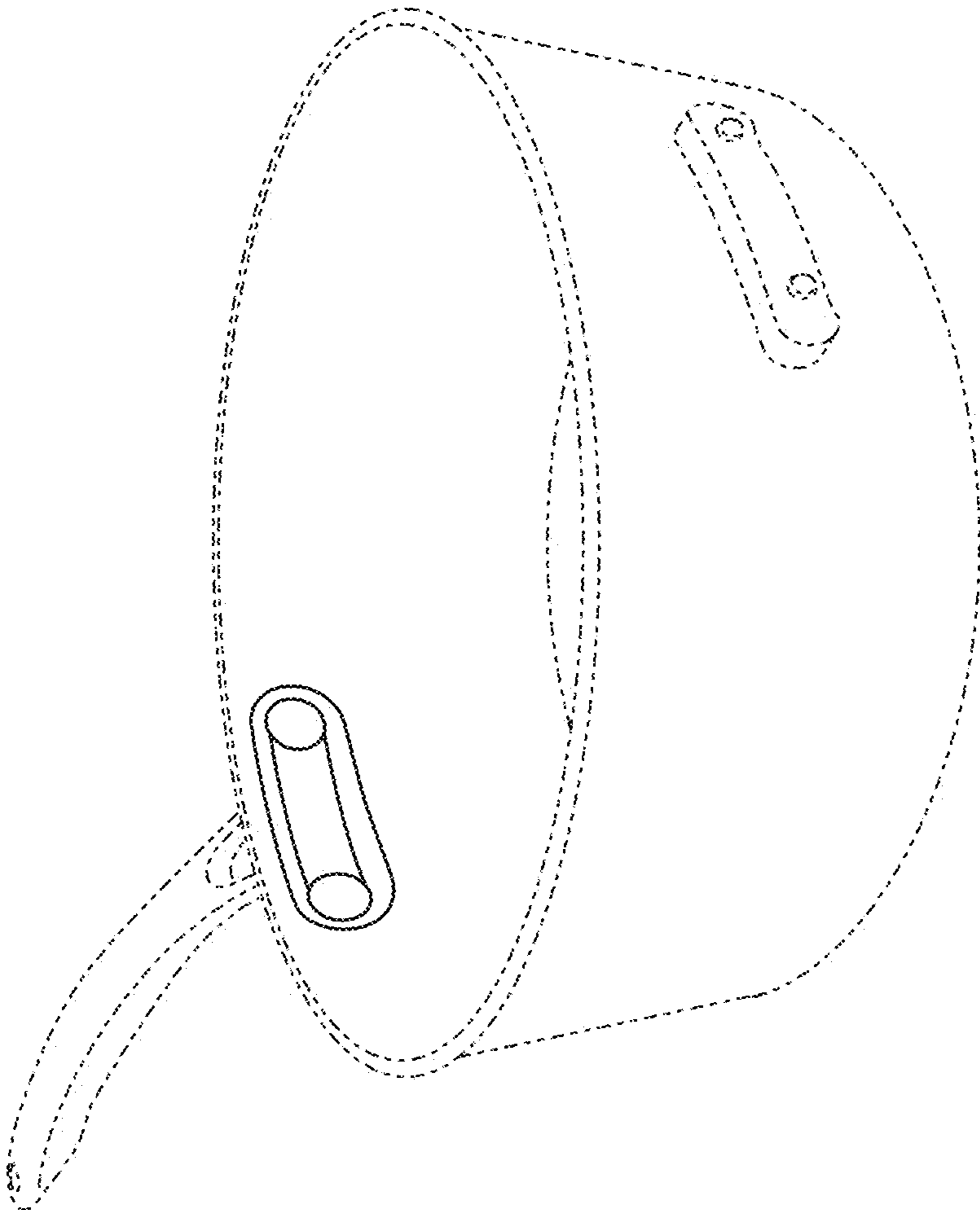


FIG. 1

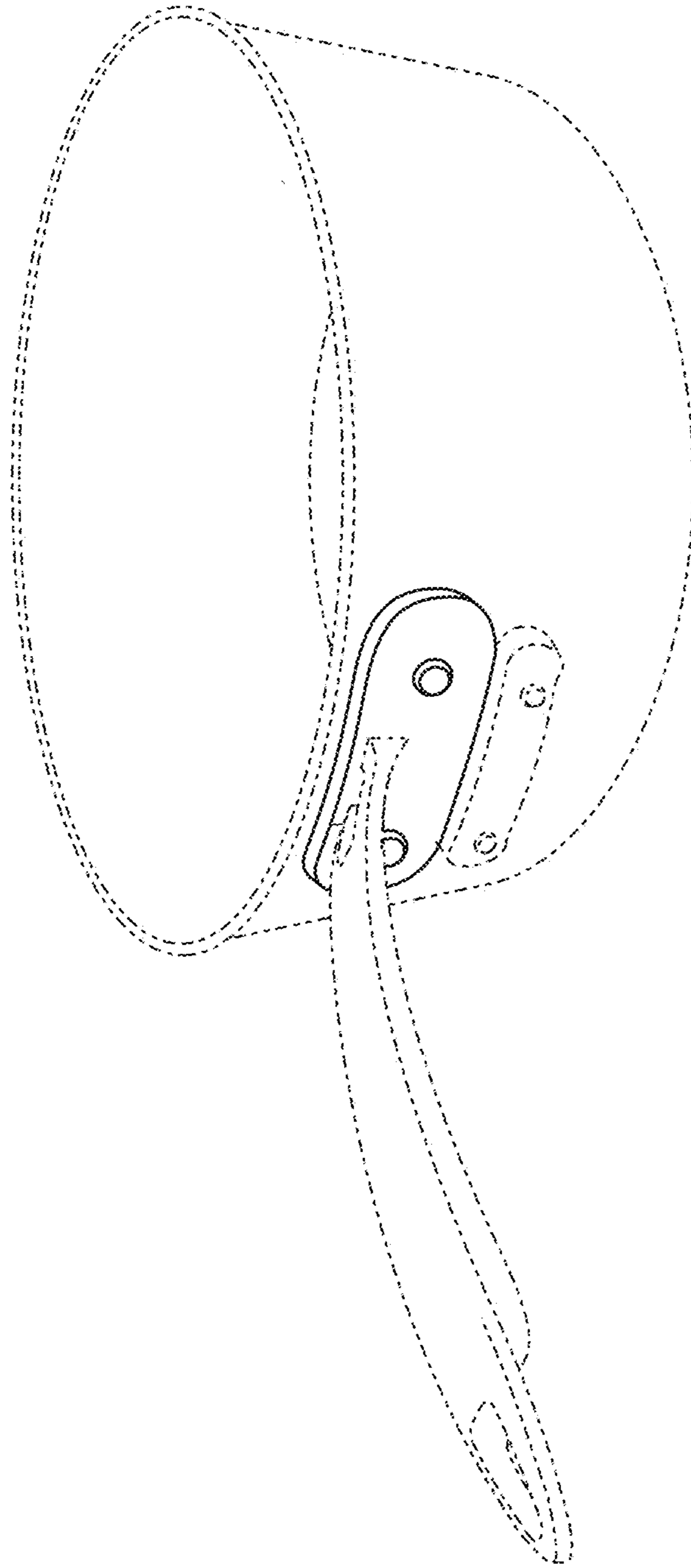


FIG. 2

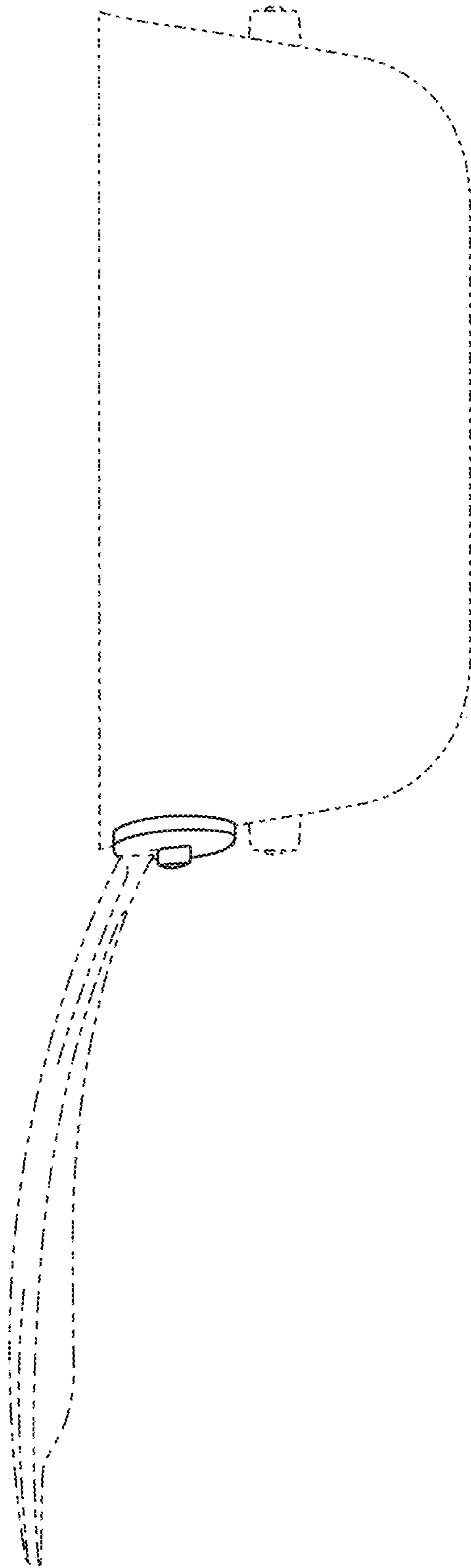


FIG. 3

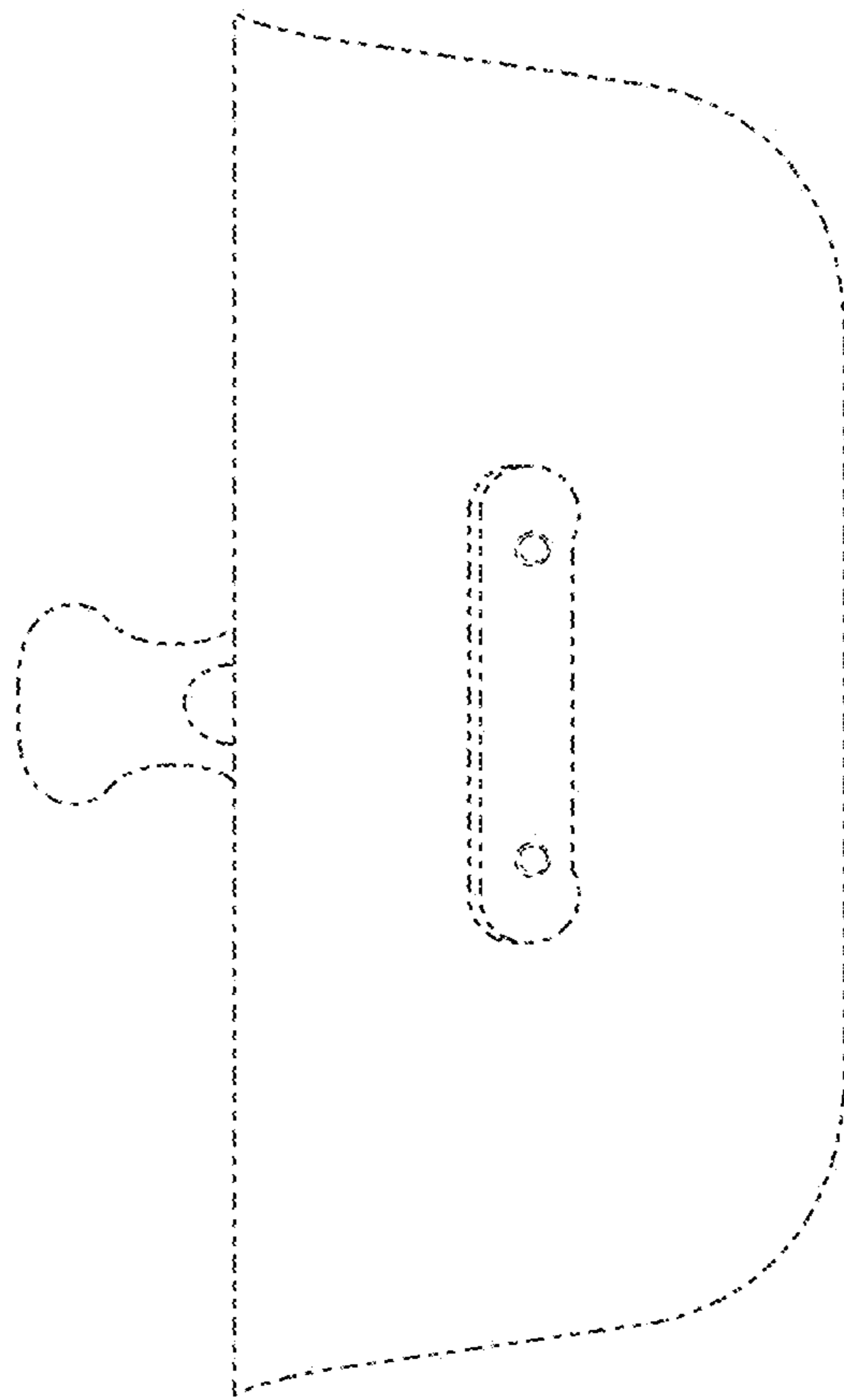


FIG. 4

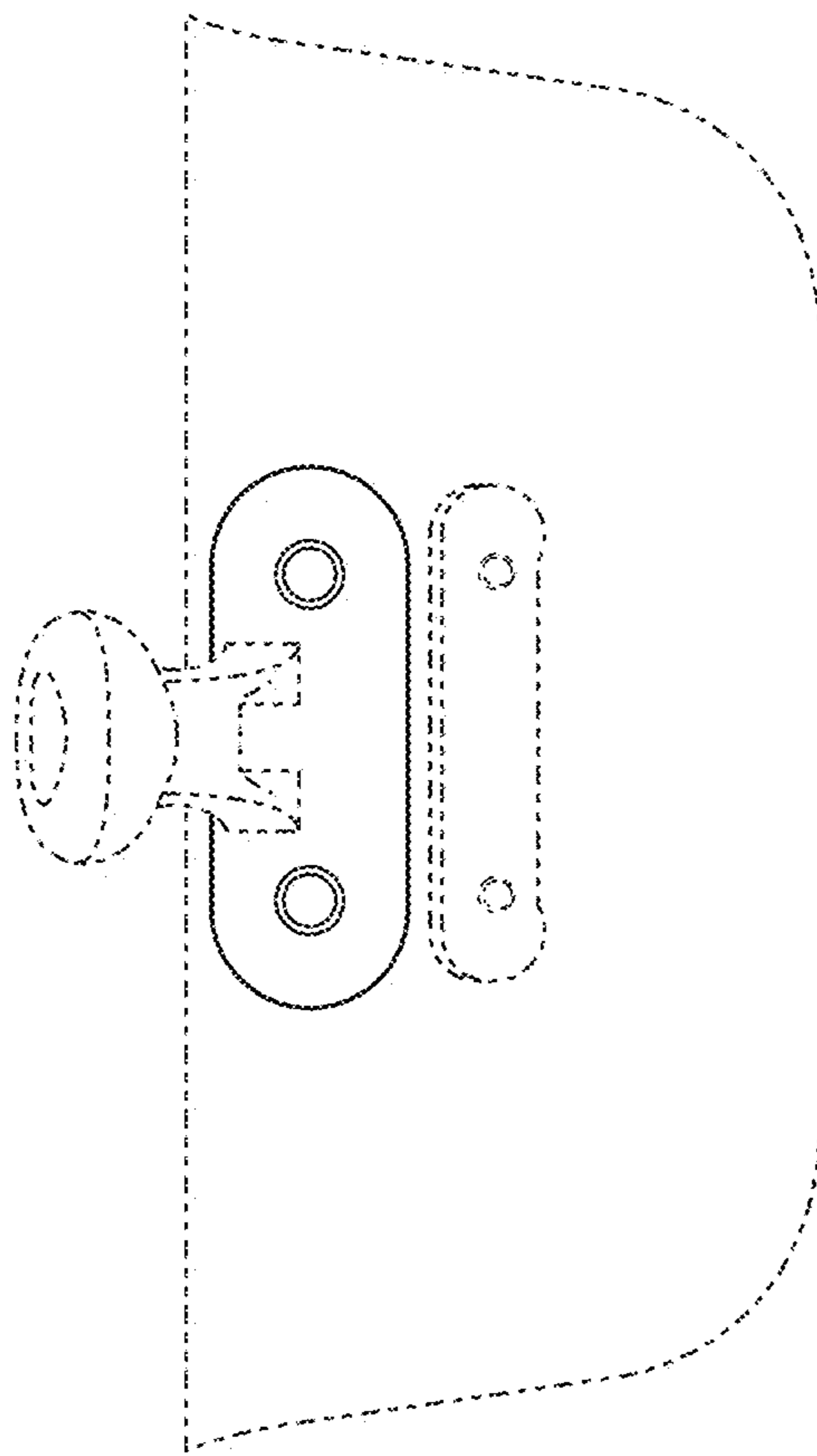


FIG. 5

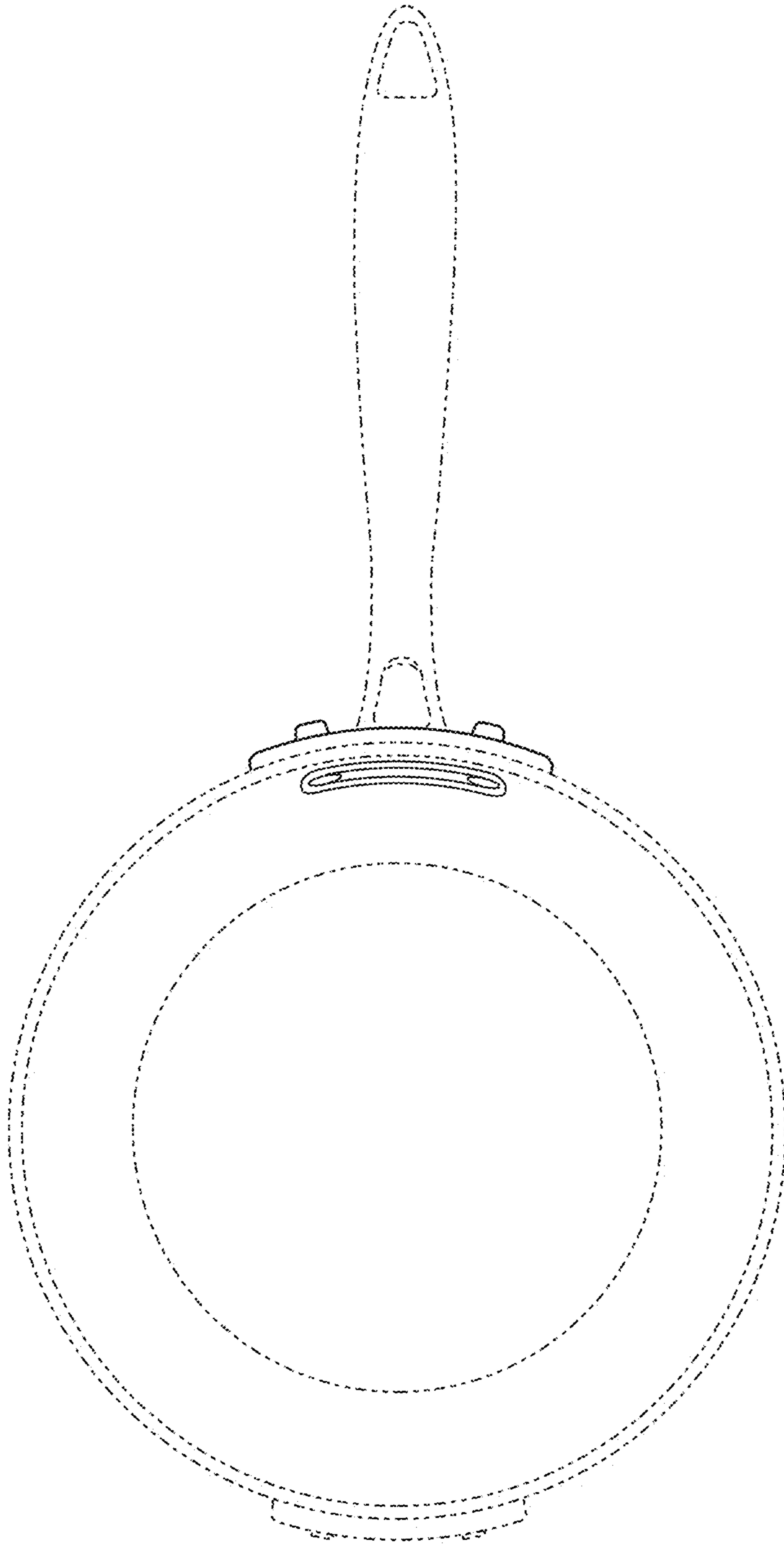


FIG. 6



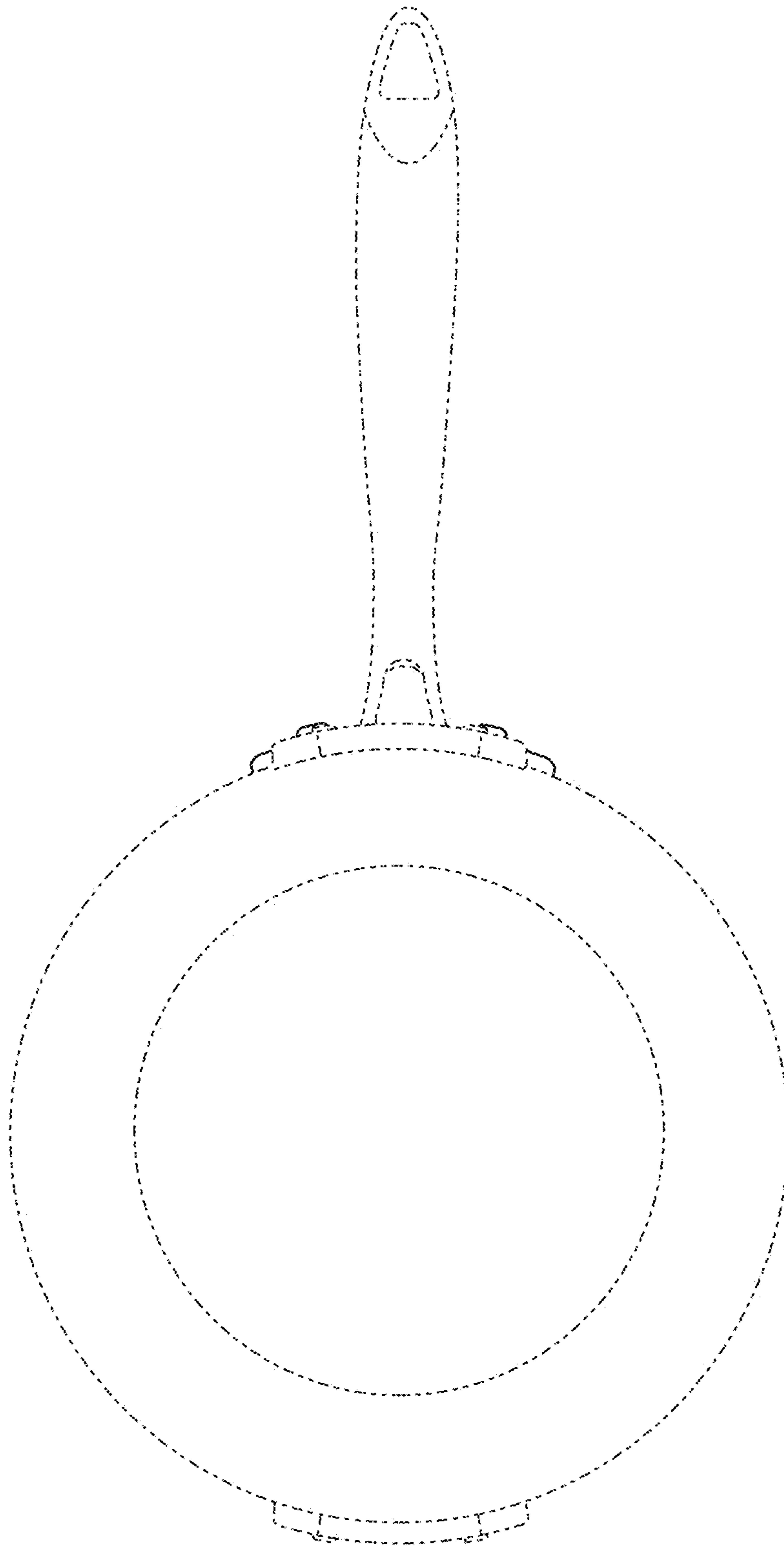


FIG. 7